



US00D414566S

United States Patent [19] Gibson et al.

[11] Patent Number: **Des. 414,566**

[45] Date of Patent: **** Sep. 28, 1999**

[54] **FOLDING STEP STOOL**

5,722,507 3/1998 Kain .
5,762,163 6/1998 Kain .

[75] Inventors: **William R. Gibson, Kent; Enrique R. Giner, Streetsboro, both of Ohio**

OTHER PUBLICATIONS

[73] Assignee: **Cosco, Inc., Columbus, Ind.**

11-135 Two Step™ Folding Step Stool, Cosco® A Dorel Company, Home Furnishings, 1996, p. 17.

[**] Term: **14 Years**

11-302 Big Step™ Folding Step Stool and 11-307 Deluxe Big Step™ Folding Step Stool/Chair, Cosco® A Dorel Company, Home Furnishings, 1996, p. 18.

[21] Appl. No.: **29/092,158**

Primary Examiner—Doris Clark
Attorney, Agent, or Firm—Barnes & Thornburg

[22] Filed: **Aug. 13, 1998**

[51] **LOC (6) Cl.** **25-04**

[57] CLAIM

[52] **U.S. Cl.** **D25/65**

The ornamental design for a folding step stool, as shown and described.

[58] **Field of Search** D25/65; 182/33,
182/21, 132

[56] References Cited

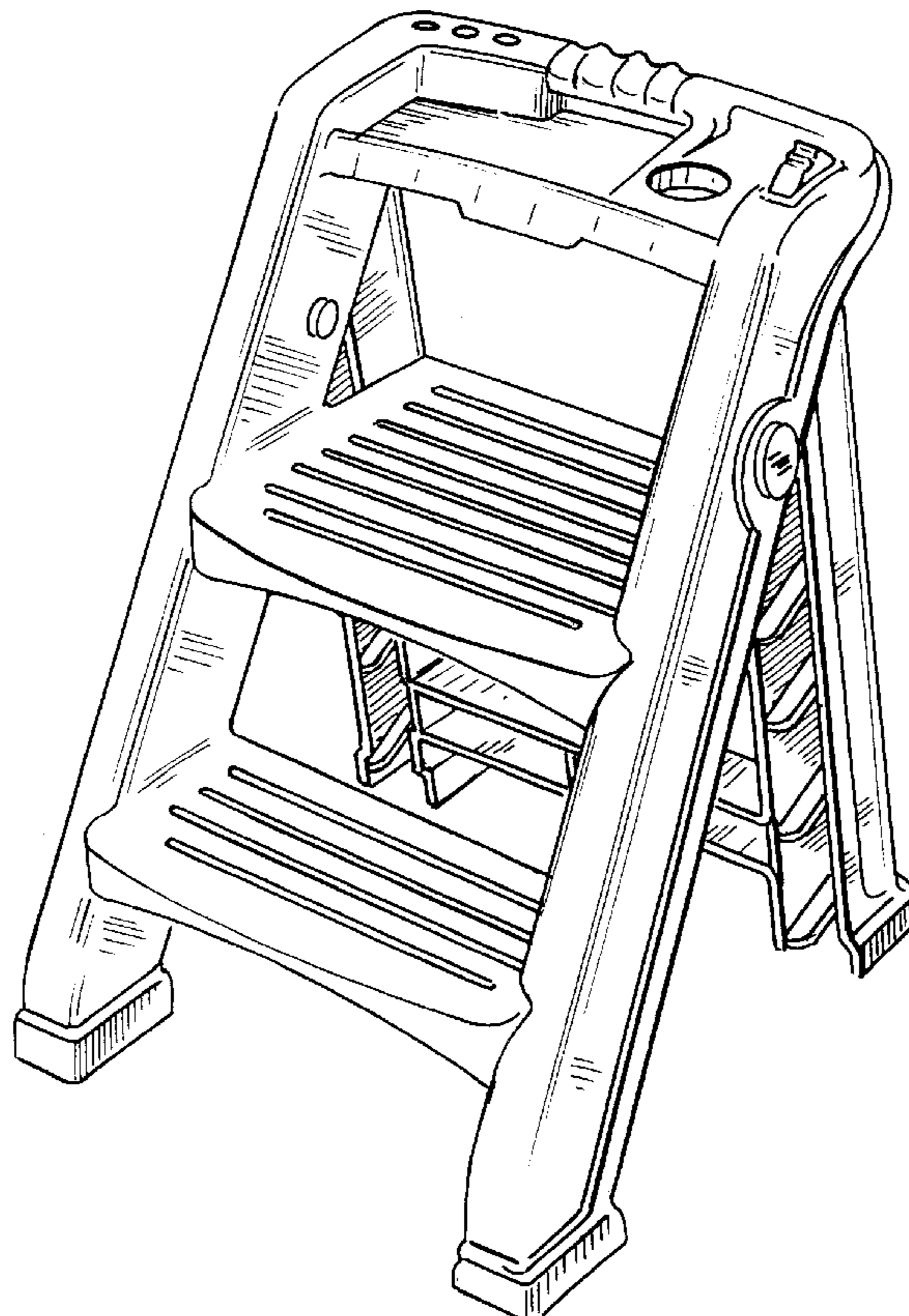
DESCRIPTION

U.S. PATENT DOCUMENTS

162,075	4/1875	Isaacs et al. .	
D. 322,826	12/1991	Wilkinson	D25/65
1,702,249	2/1929	Davidson .	
2,109,886	3/1938	Lewis .	
2,207,923	7/1940	Kelso .	
2,525,104	10/1950	Cyr .	
2,596,521	5/1952	Bell .	
3,999,629	12/1976	Schaffer et al. .	
4,320,817	3/1982	Knoke et al.	182/33
4,485,892	12/1984	Maloney et al. .	
4,502,564	3/1985	Kümmerlin et al. .	
5,064,243	11/1991	Quain .	
5,419,409	5/1995	Corulla .	

FIG. 1 is a perspective view of a folding step stool illustrating our new design;
FIG. 2 is a front elevational view thereof;
FIG. 3 is a right side elevational view thereof in an opened position, with the left side elevational view being substantially similar;
FIG. 4 is a top plan view thereof;
FIG. 5 is a rear elevational view thereof;
FIG. 6 is a bottom plan view thereof; and,
FIG. 7 is a right side elevational view thereof in a closed position.

1 Claim, 4 Drawing Sheets



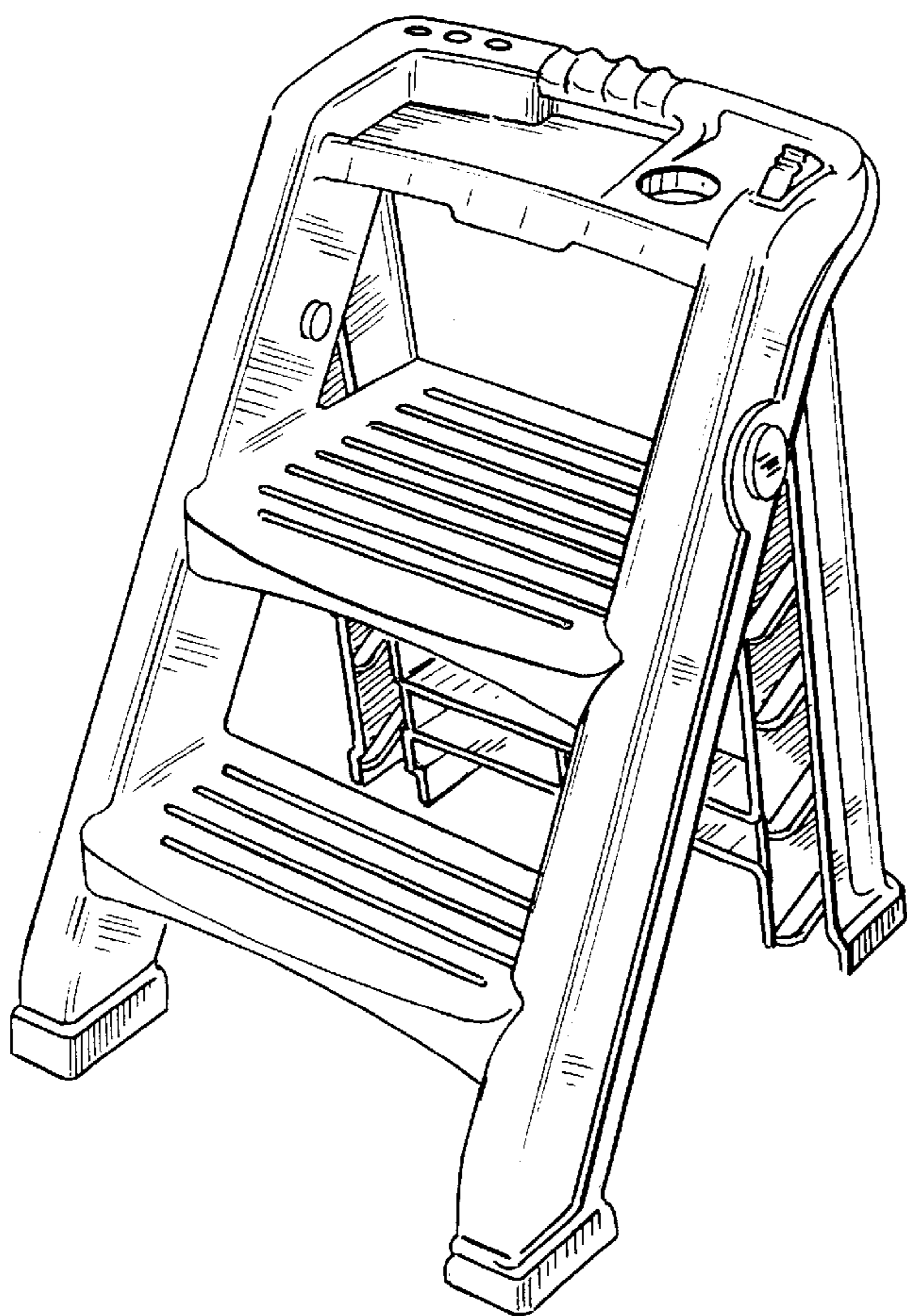


FIG. 1

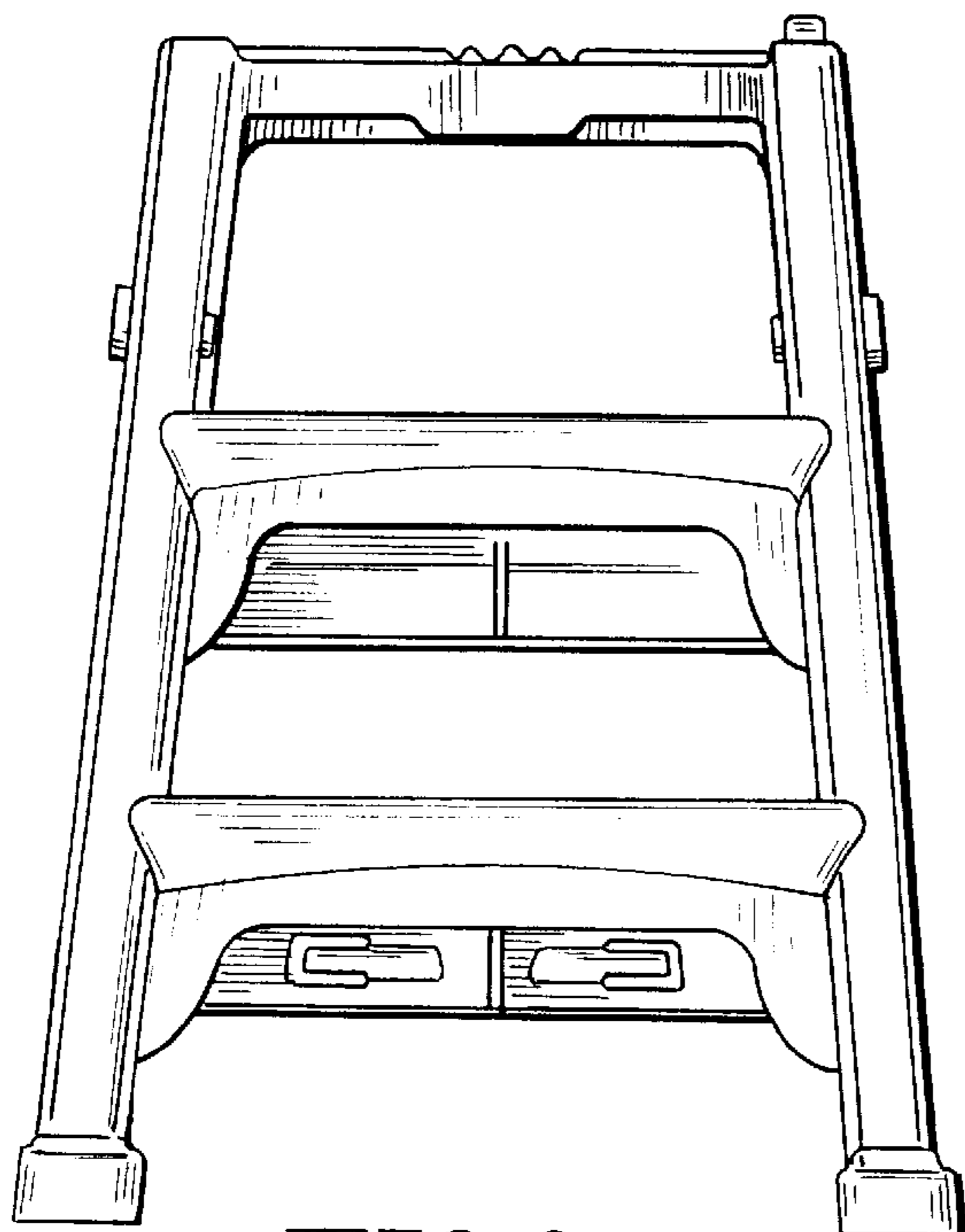


FIG. 2

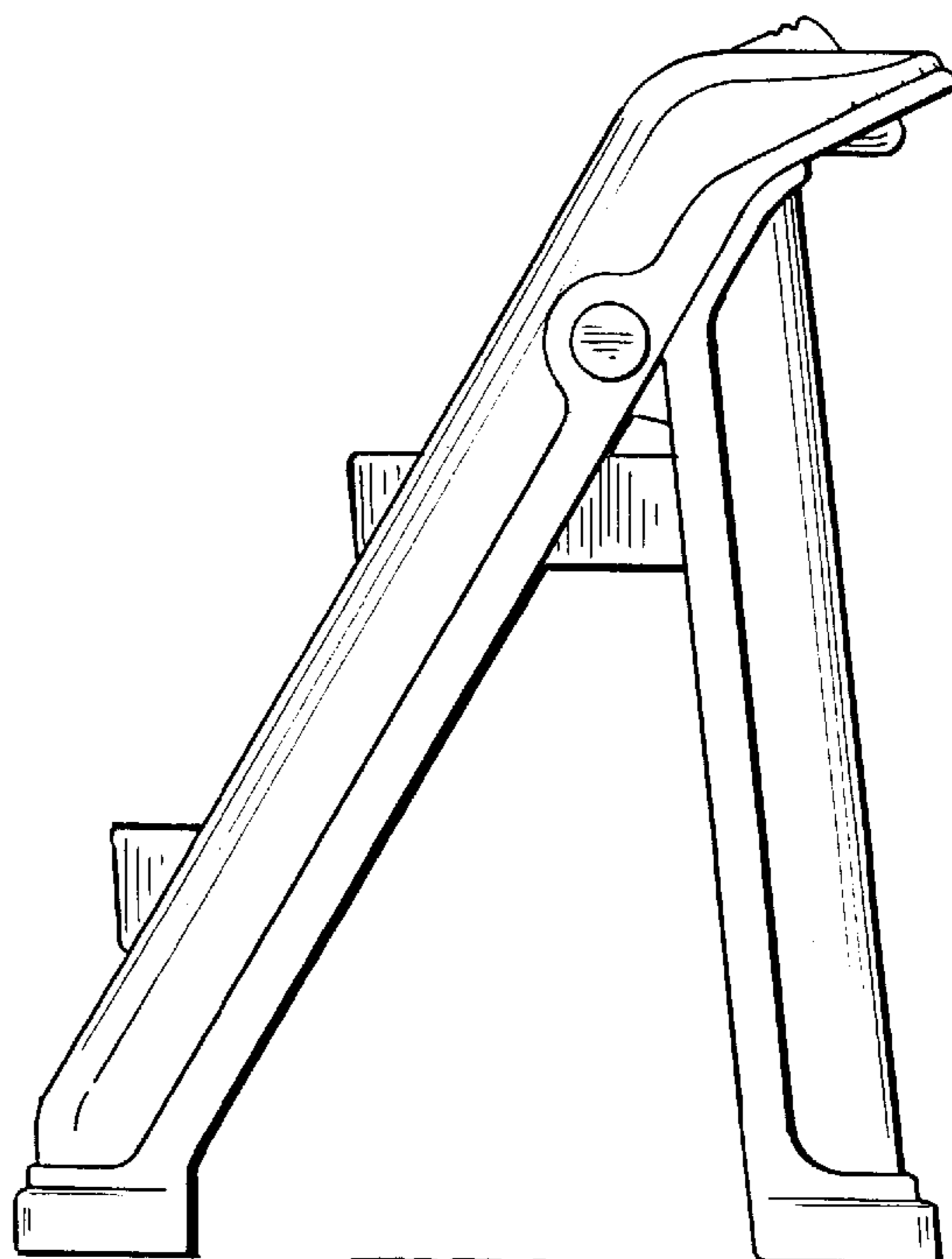


FIG. 3

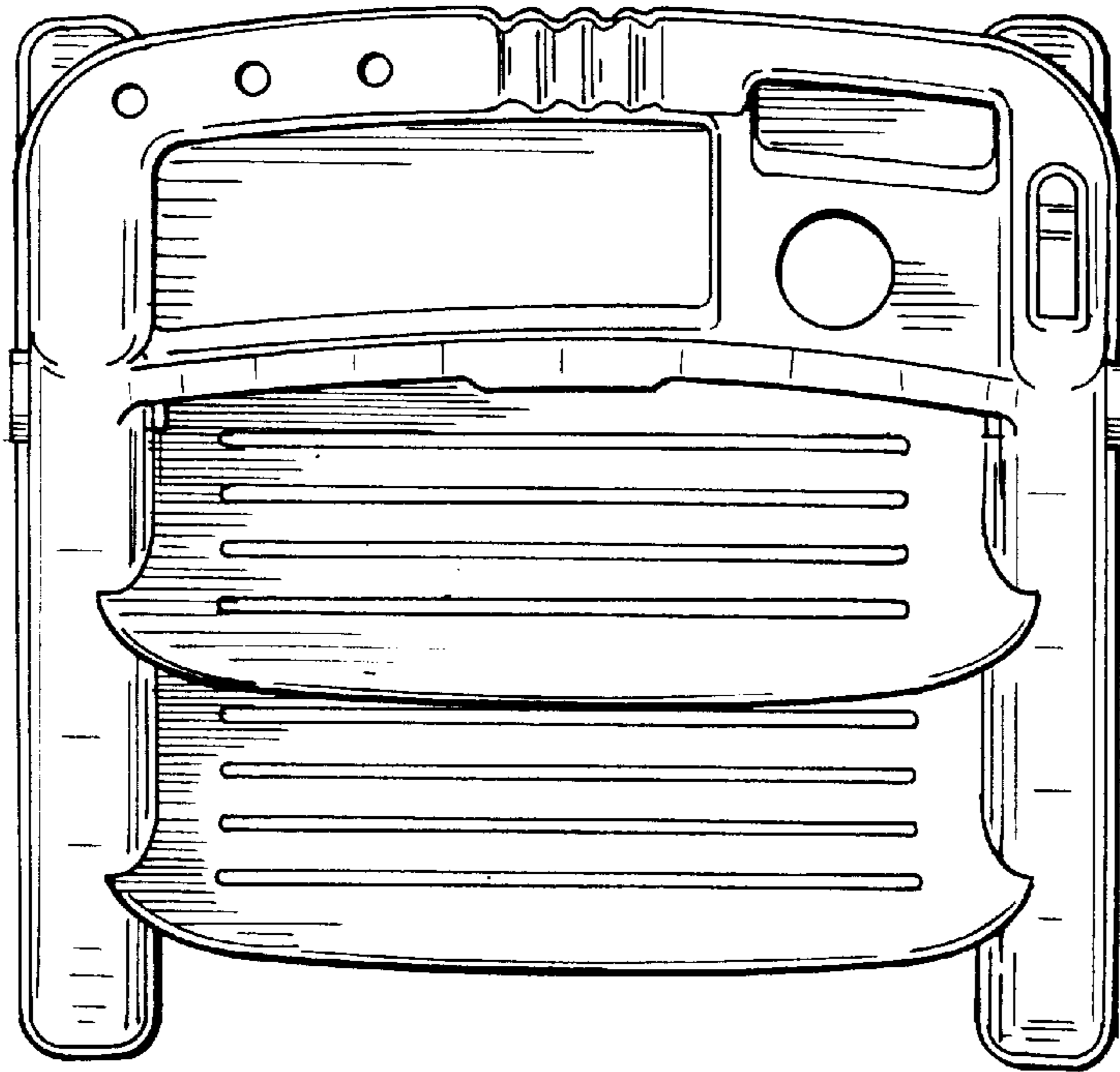


FIG. 4

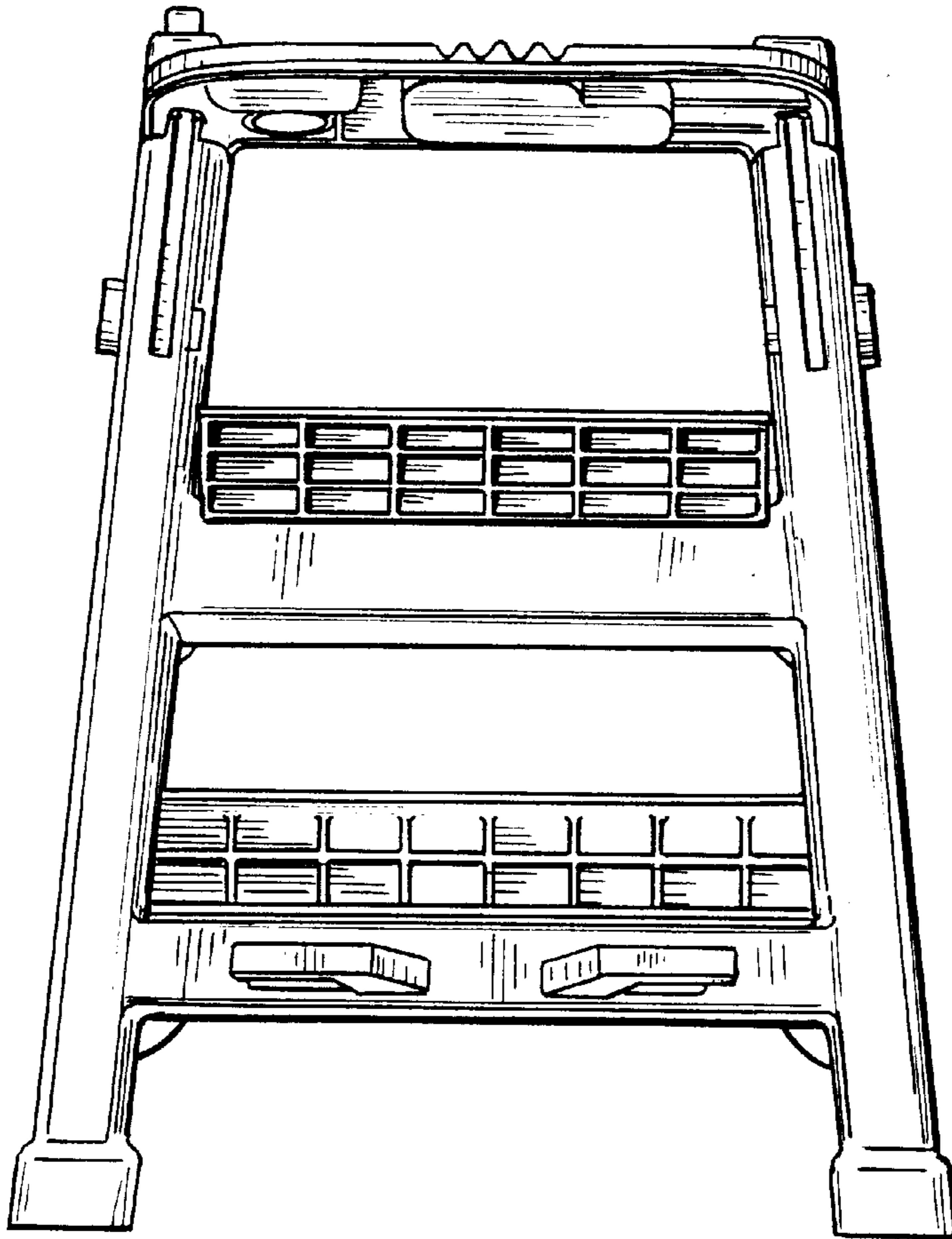


FIG. 5

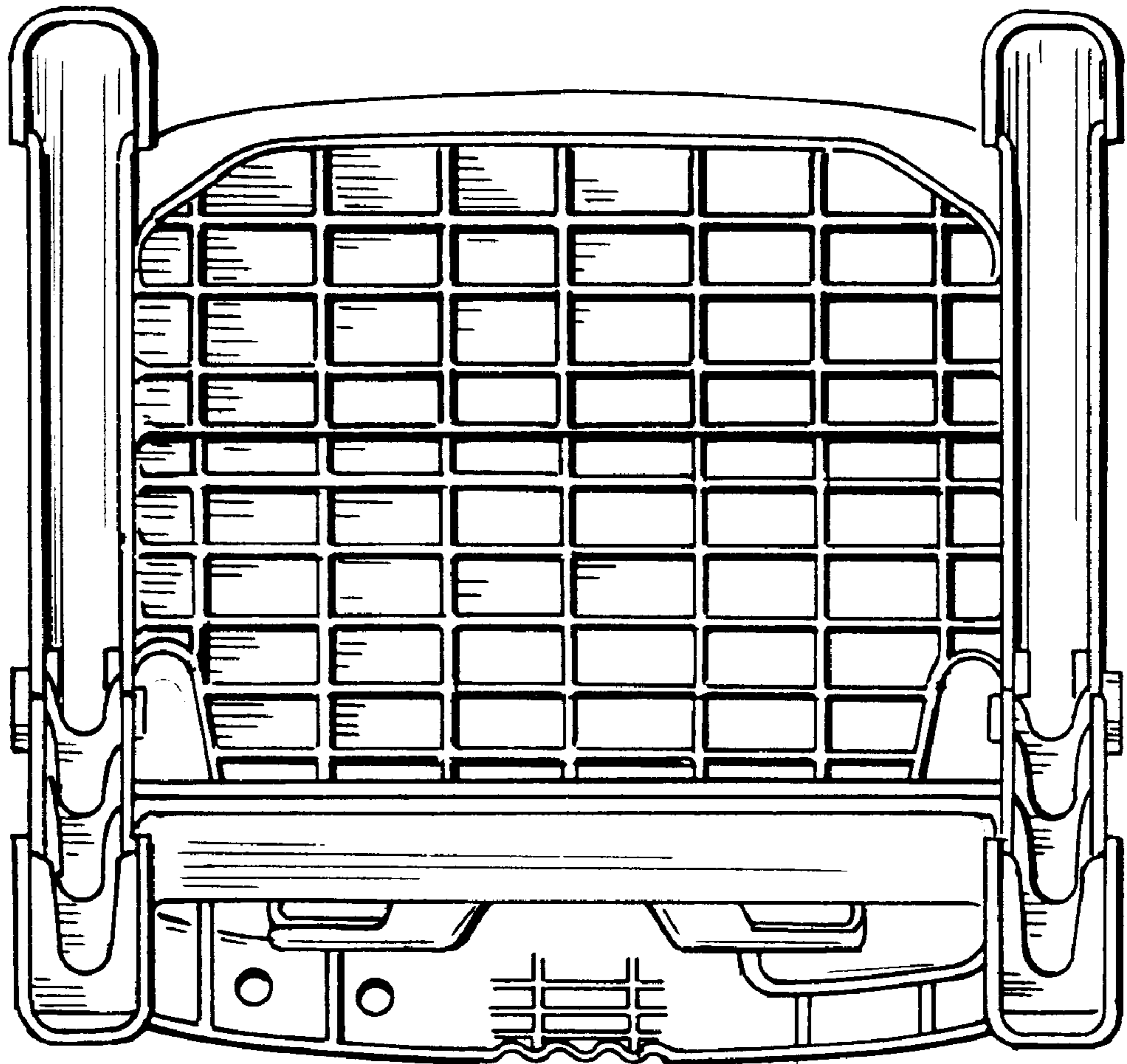


FIG. 6

FIG. 7

