



US00D414565S

United States Patent [19]
Davis

[11] **Patent Number: Des. 414,565**

[45] **Date of Patent: ** Sep. 28, 1999**

[54] **TREE STAND**

[76] Inventor: **Doyle L. Davis**, 420 Donaldson Rd.,
Columbiana, Ala. 35051

[**] Term: **14 Years**

[21] Appl. No.: **29/097,332**

[22] Filed: **Dec. 4, 1998**

[51] **LOC (6) Cl.** **25-04**

[52] **U.S. Cl.** **D25/62**

[58] **Field of Search** D25/62; 182/187,
182/188, 133-136

[56] **References Cited**

U.S. PATENT DOCUMENTS

D. 373,427 9/1996 Russom D25/62
4,723,630 2/1988 Wolford et al. 182/134

Primary Examiner—Doris Clark
Attorney, Agent, or Firm—Robert J. Veal; Kenneth M. Bush

[57] **CLAIM**

The ornamental design for a tree stand, as shown and described.

DESCRIPTION

FIG. 1 is a perspective view of a tree stand showing my new design;

FIG. 2 is a front elevational view thereof;

FIG. 3 is a rear elevational view thereof;

FIG. 4 is a side elevational view as seen from the left side of FIG. 2;

FIG. 5 is a side elevational view as seen from the right side of FIG. 2;

FIG. 6 is a top plan view thereof; and,

FIG. 7 is a bottom plan view thereof.

1 Claim, 4 Drawing Sheets



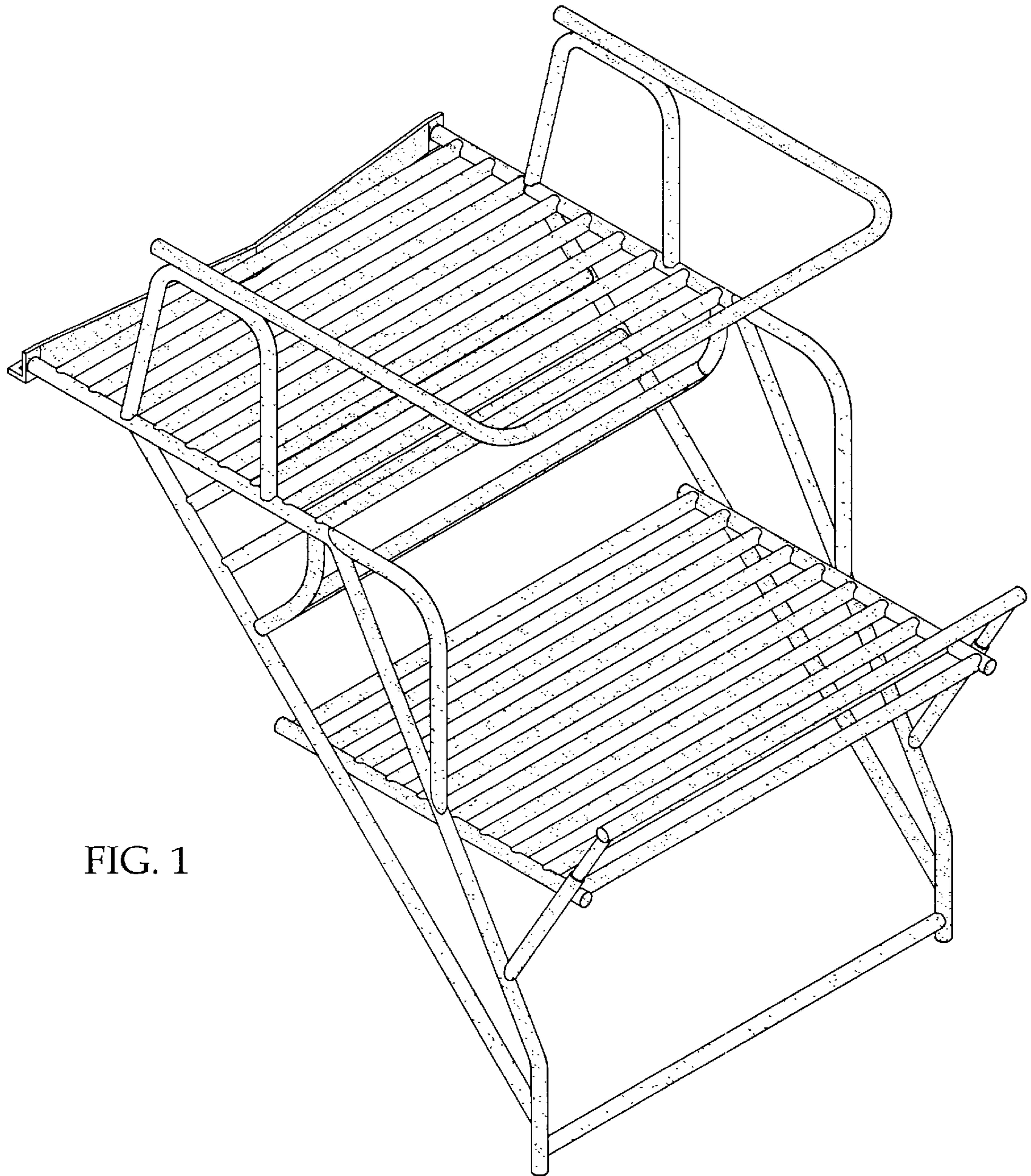


FIG. 1

FIG. 2

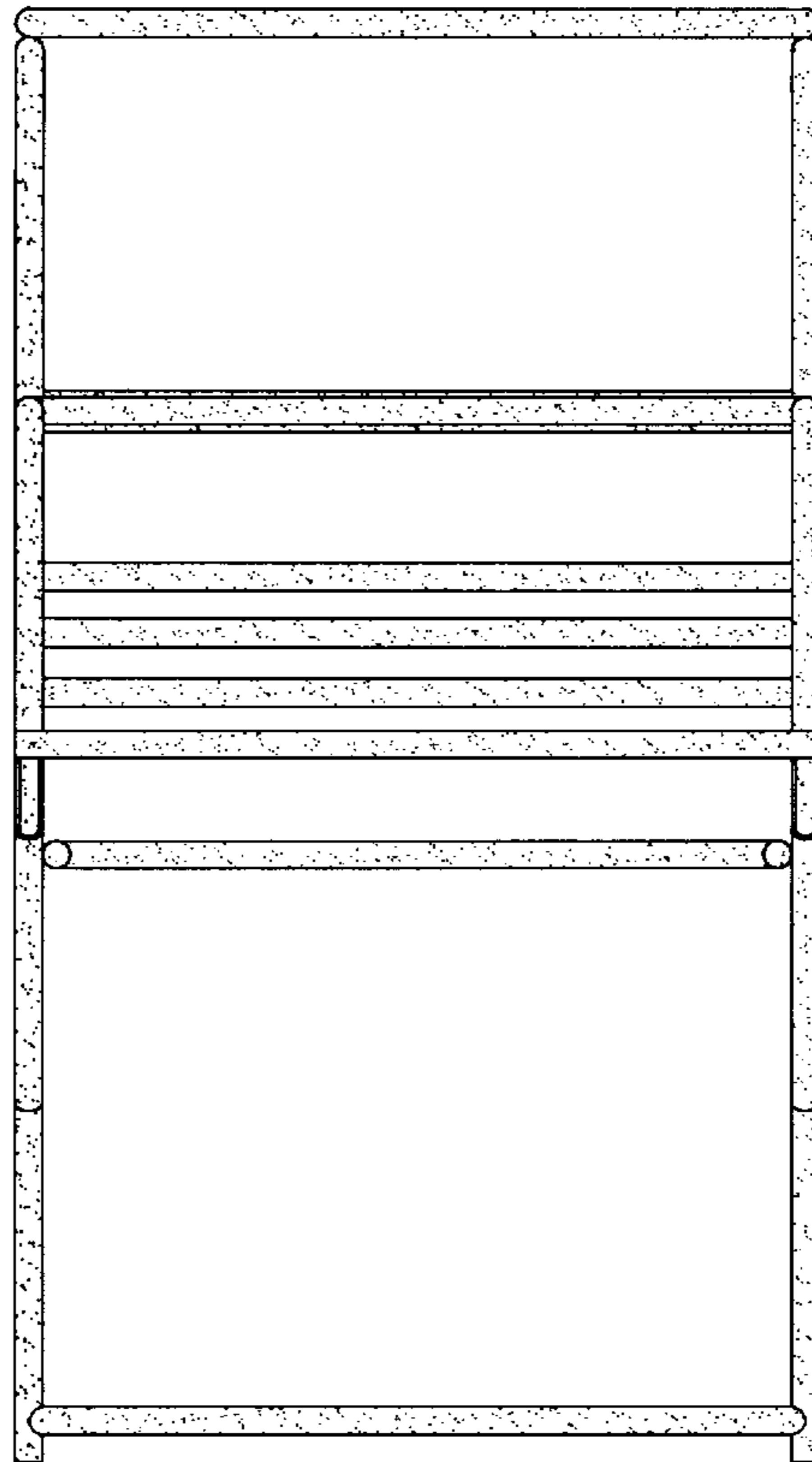
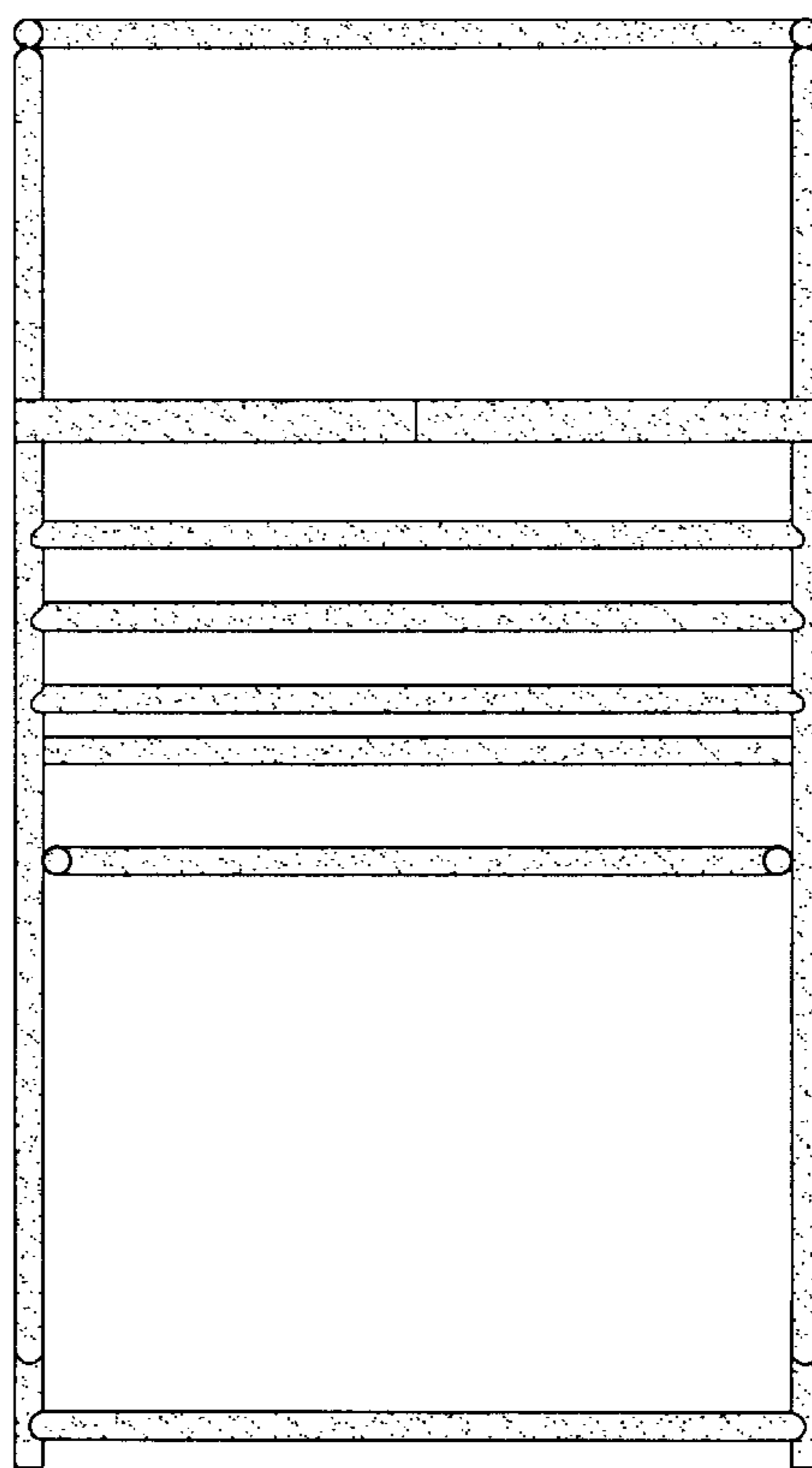


FIG. 3



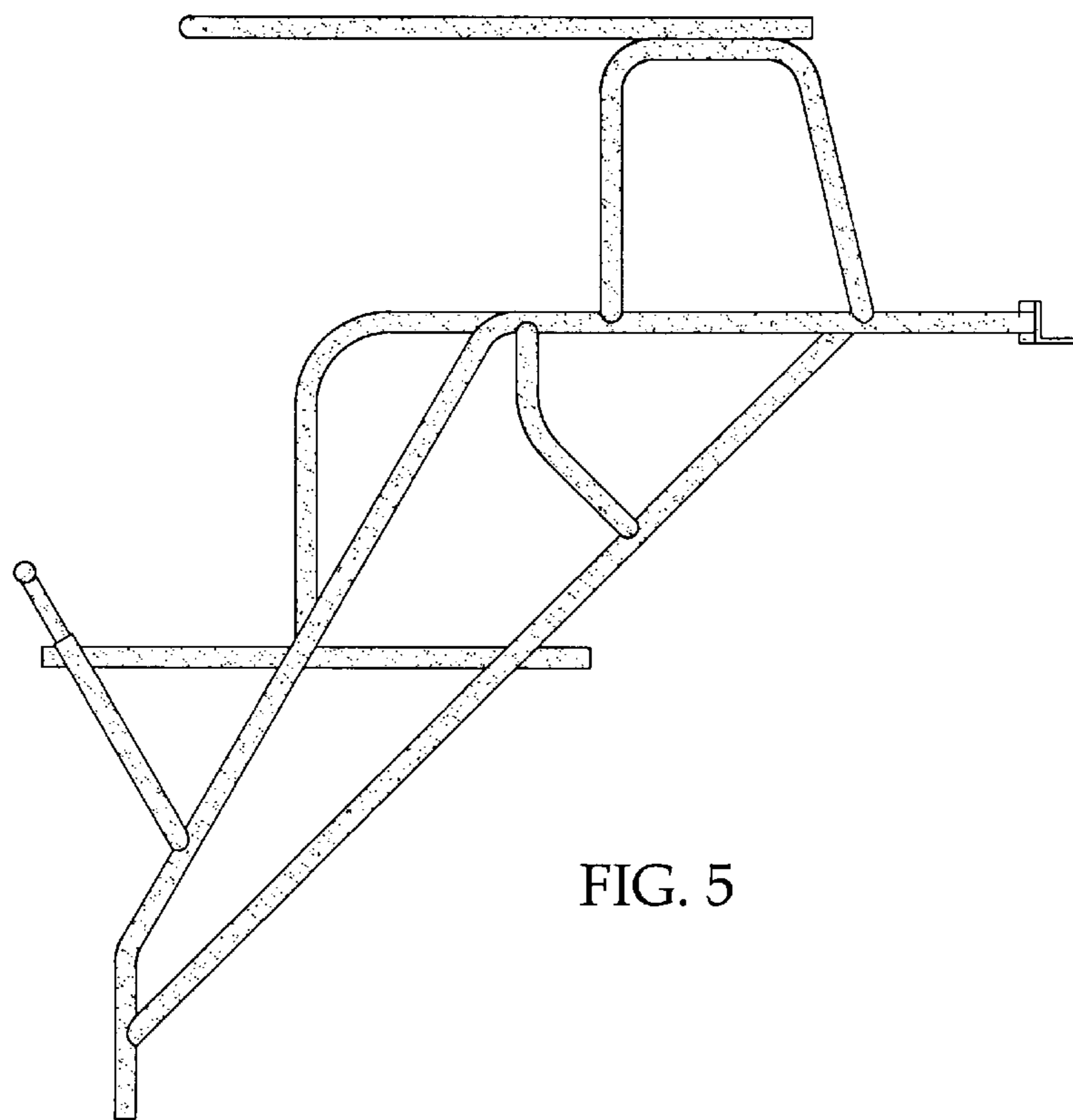
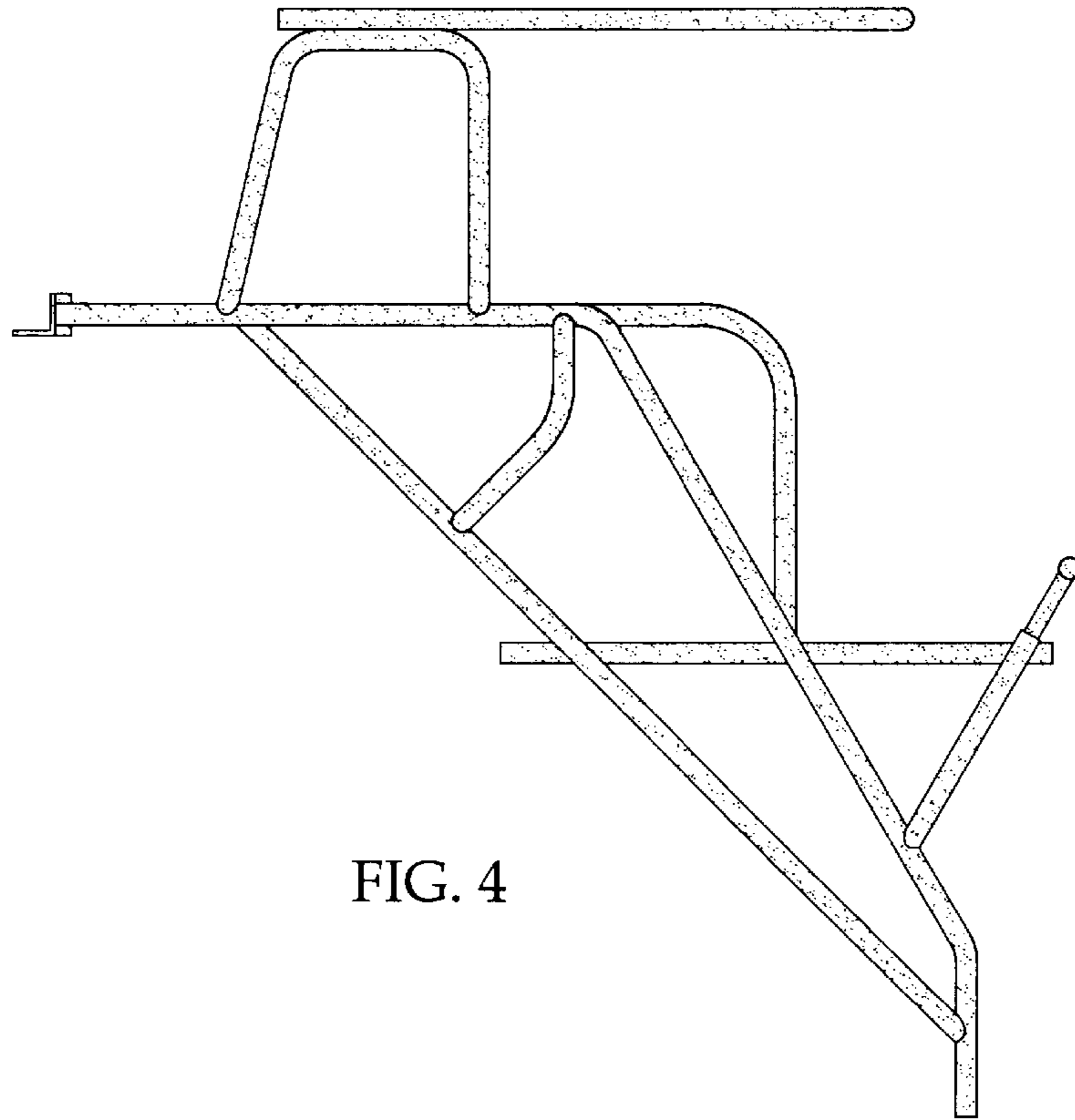


FIG. 6

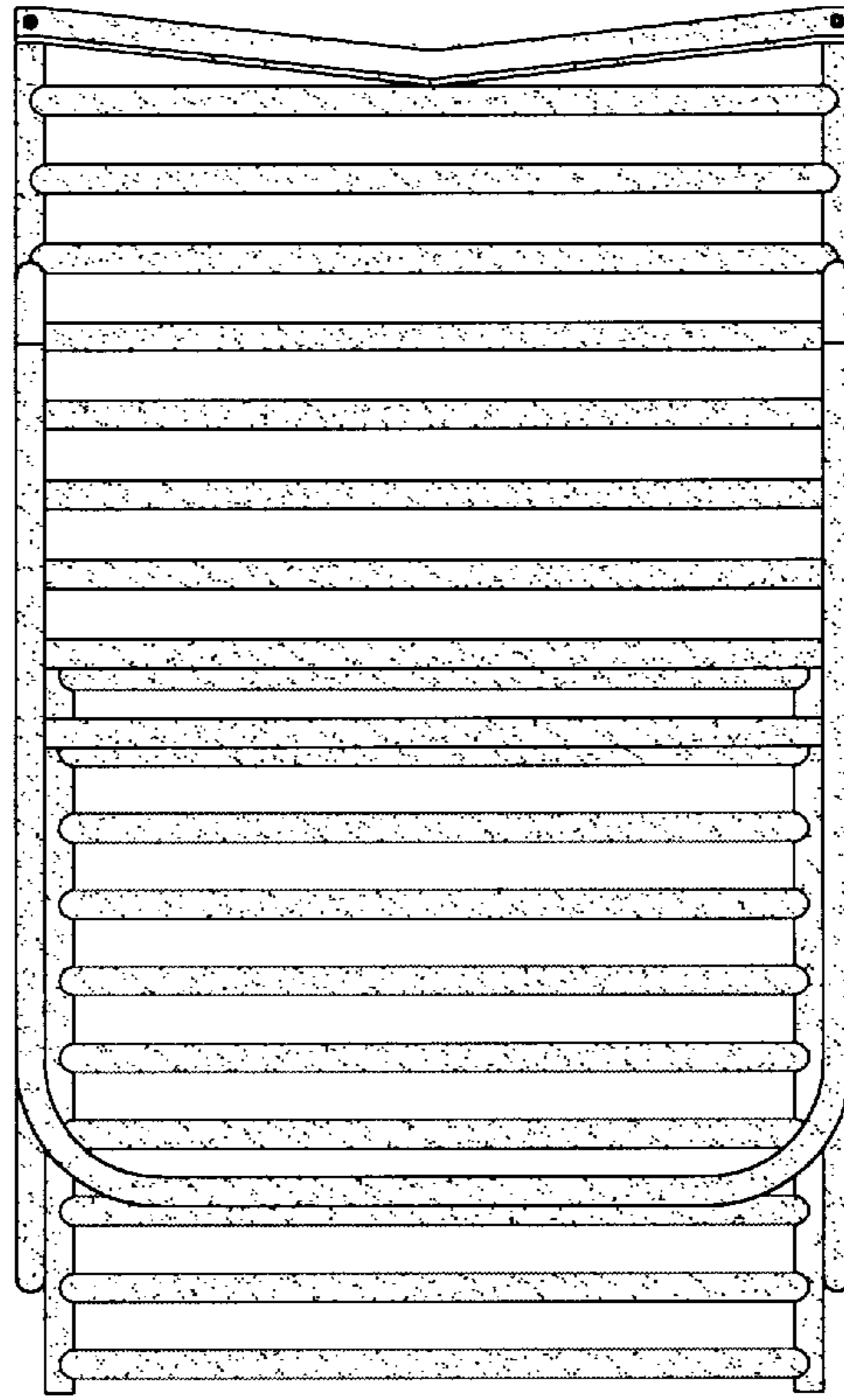


FIG. 7

