



US00D414564S

United States Patent [19]
Goldwitz

[11] **Patent Number: Des. 414,564**

[45] **Date of Patent: ** Sep. 28, 1999**

[54] **SHELTER FRAME ASSEMBLY**

D. 302,593 8/1989 Haldorsen D25/61
5,117,853 6/1992 Pruesner 135/121

[76] Inventor: **Brian L. Goldwitz**, 342 Country La.,
Orange, Conn. 06477

Primary Examiner—Doris Clark
Attorney, Agent, or Firm—Melvin I. Stoltz

[**] Term: **14 Years**

[57] **CLAIM**

[21] Appl. No.: **29/097,866**

The ornamental design for the shelter frame assembly, as shown and described.

[22] Filed: **Dec. 16, 1998**

DESCRIPTION

Related U.S. Application Data

FIG. 1 is a perspective view of the shelter frame assembly shown in FIG. 1;

[62] Division of application No. 29/085,408, Mar. 23, 1998.

FIG. 2 is a front elevational view of the shelter frame assembly thereof, the rear elevational view being identical in appearance;

[51] **LOC (6) Cl.** **25-02**

[52] **U.S. Cl.** **D25/61**

FIG. 3 is a top plan view of the shelter frame assembly thereof; and,

[58] **Field of Search** D25/61; 52/648.1,
52/653.1; 248/345; 135/121

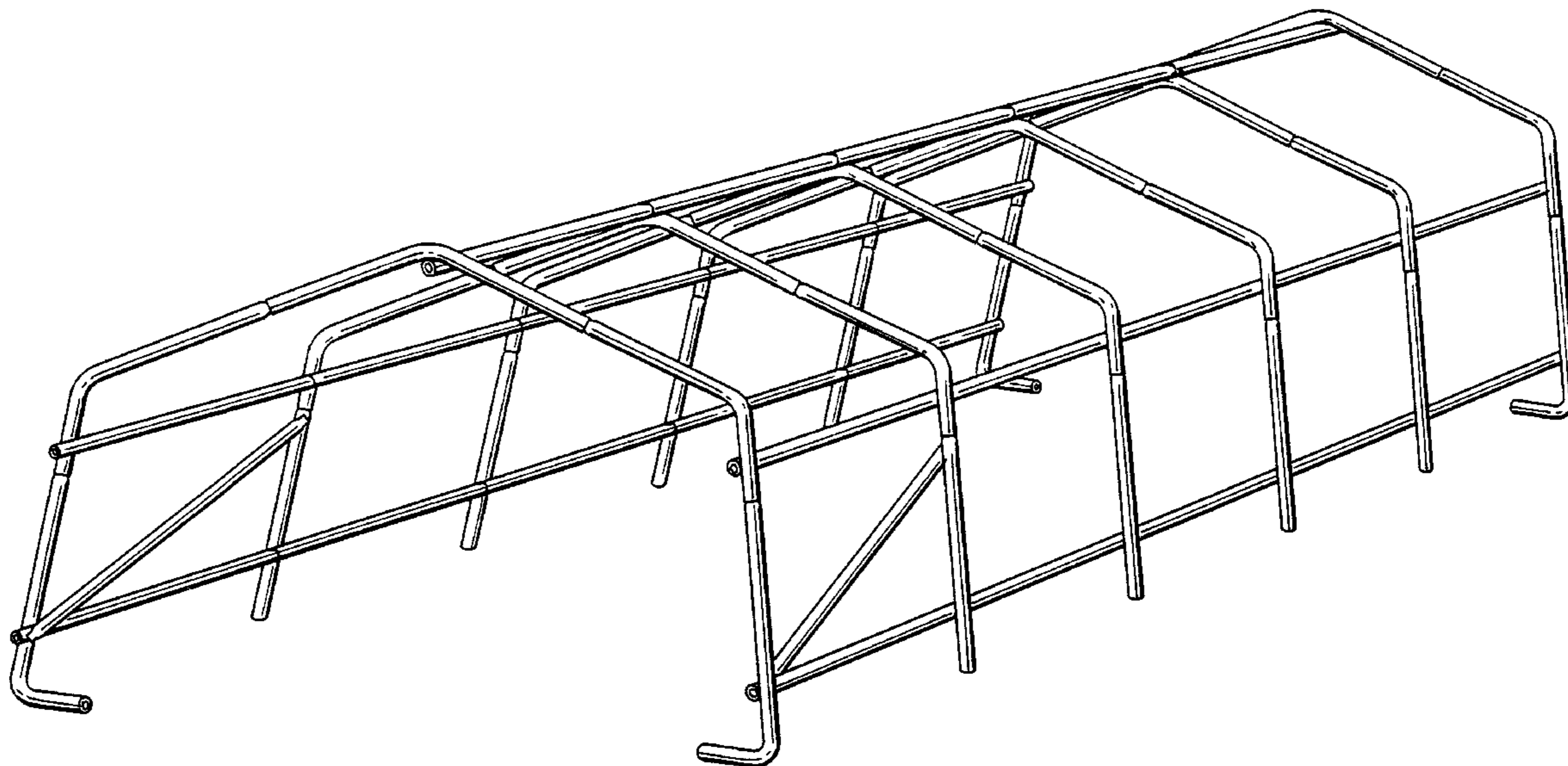
FIG. 4 is a side elevational view of the shelter frame assembly, thereof, the opposite side being identical in appearance.

[56] **References Cited**

U.S. PATENT DOCUMENTS

D. 30,268 2/1899 Wittbold D25/61

1 Claim, 4 Drawing Sheets



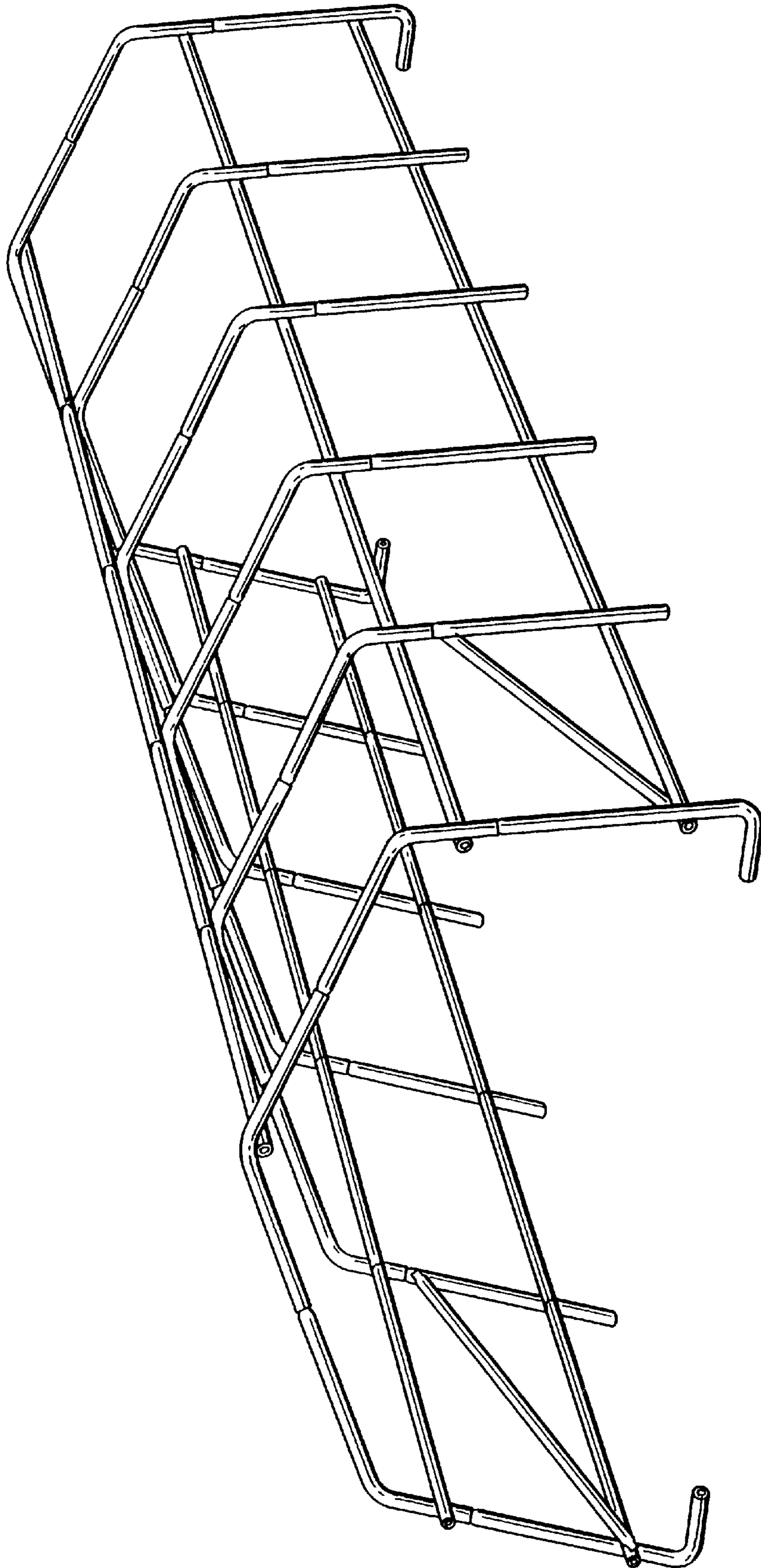


FIG. 1

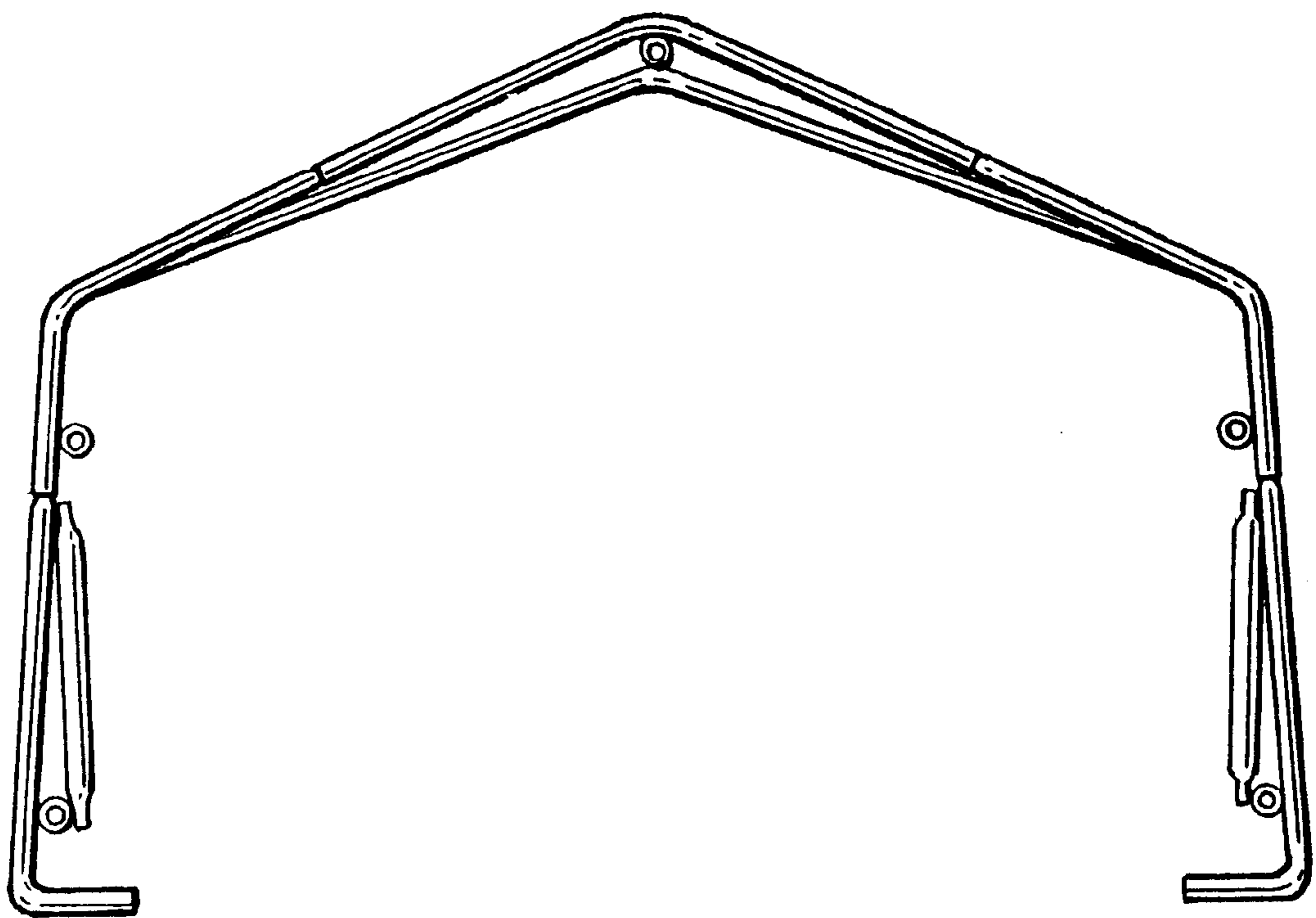


FIG. 2

FIG. 3

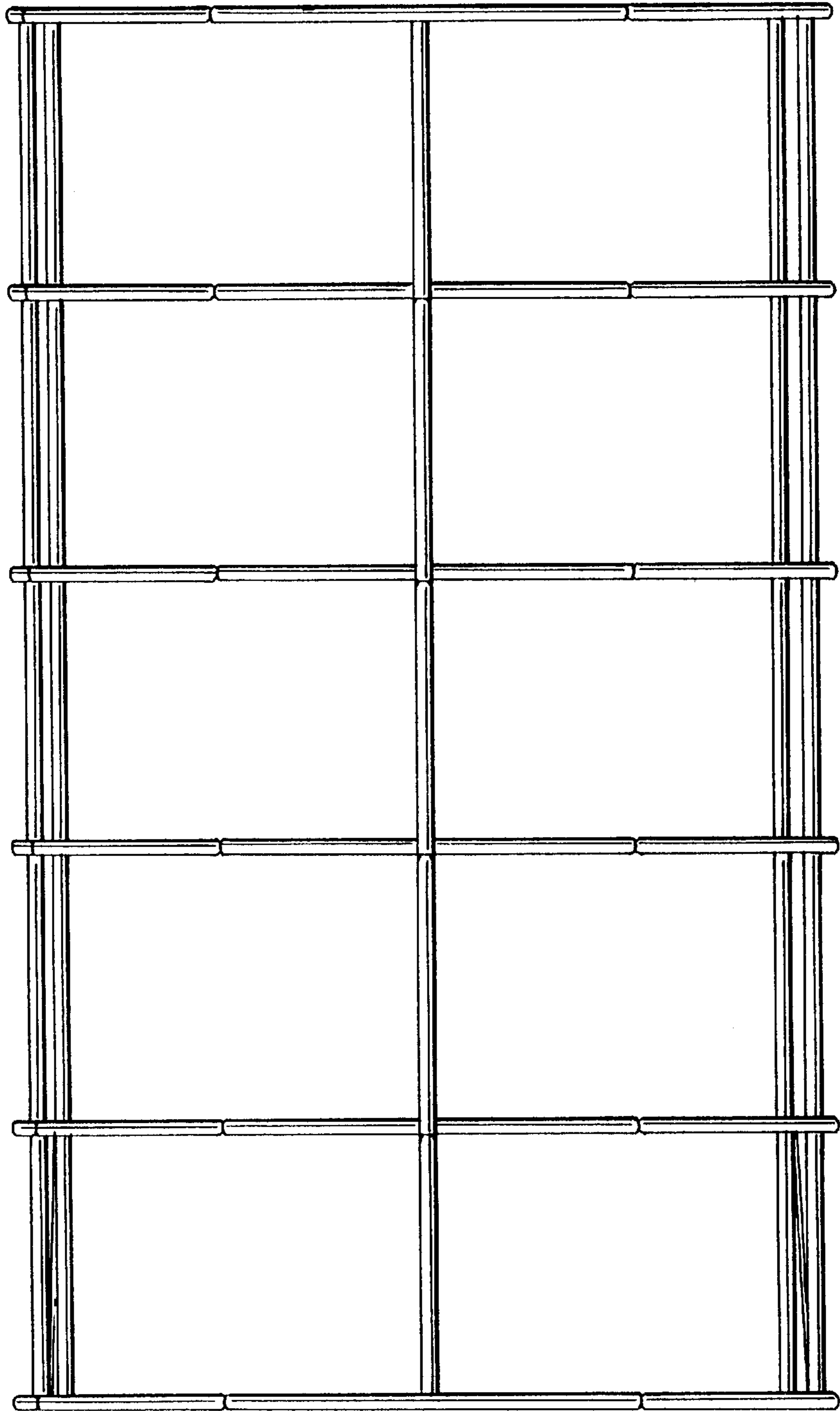


FIG. 4

