



US00D414561S

# United States Patent [19] Escoffier

[11] Patent Number: **Des. 414,561**

[45] Date of Patent: **\*\* Sep. 28, 1999**

[54] **DEVICE FOR BIOLOGICAL TESTS**

[75] Inventor: **Jacques Escoffier**, Thonon-Les-Bains, France

[73] Assignee: **Medigis Societe Anonyme**, Paris, France

[\*\*] Term: **14 Years**

[21] Appl. No.: **29/067,134**

[22] Filed: **Feb. 26, 1997**

[30] **Foreign Application Priority Data**

Aug. 27, 1996 [FR] France ..... 96 4859

[51] **LOC (6) Cl.** ..... **24-01**

[52] **U.S. Cl.** ..... **D24/216; D24/223; D24/224**

[58] **Field of Search** ..... D24/216, 220, D24/223, 224, 227, 229, 231, 232; 422/44, 48, 104, 102; 211/71.01, 74, 85.18, 85.13; 604/7; 356/246; 436/803

[56] **References Cited**

**U.S. PATENT DOCUMENTS**

- D. 215,774 10/1969 Crane ..... D24/223
- D. 234,088 1/1975 Granados ..... D24/229
- D. 264,504 5/1982 Weber et al. .... D24/232

- D. 367,714 3/1996 Pennicook ..... D24/223
- D. 382,346 8/1997 Buhler et al. .... D24/227
- 3,905,482 9/1975 Knulst ..... 211/74
- 3,905,772 9/1975 Hartnett et al. .... 422/72
- 4,227,810 10/1980 Sandrock et al. .... 356/246
- 4,531,941 7/1985 Zaswa ..... 422/46
- 4,982,850 1/1991 Meers ..... 211/74

*Primary Examiner*—Louis S. Zarfes  
*Assistant Examiner*—G. Andoll  
*Attorney, Agent, or Firm*—Susan L. Preston

[57] **CLAIM**

The ornamental design for a device for biological tests, as shown and described.

**DESCRIPTION**

FIG. 1 is a front elevational view of device for biological tests, showing my new design;  
 FIG. 2 is a top view thereof, but without the tube carrier;  
 FIG. 3 is a rear elevational view of FIG. 1;  
 FIG. 4 is a perspective view from the rear, right and top of FIG. 1;  
 FIG. 5 is a perspective view from the bottom, rear and right of FIG. 1;  
 FIG. 6 is a left elevational view of FIG. 1;  
 FIG. 7 is a right elevational view of FIG. 1.

**1 Claim, 4 Drawing Sheets**

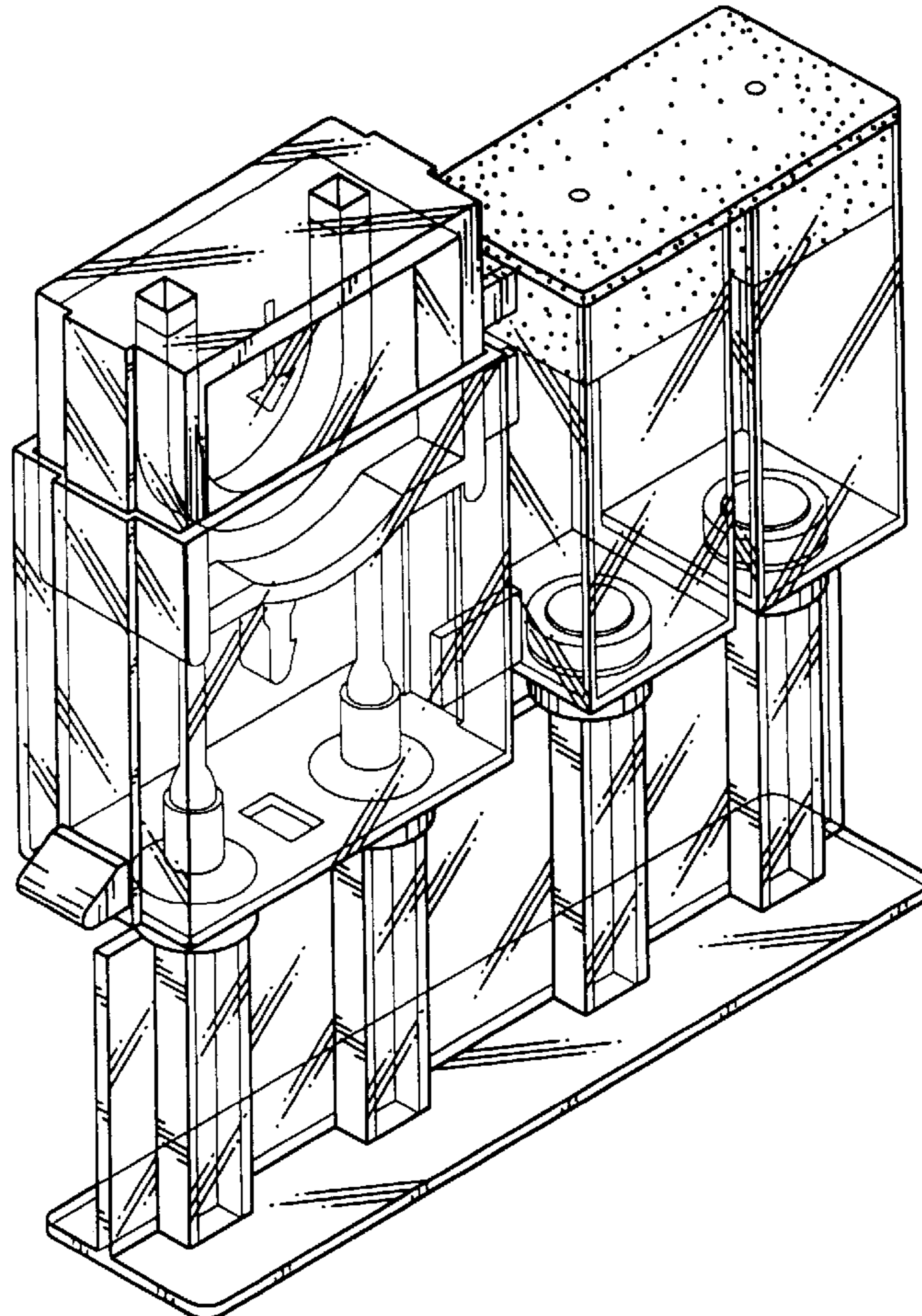


FIG. 1

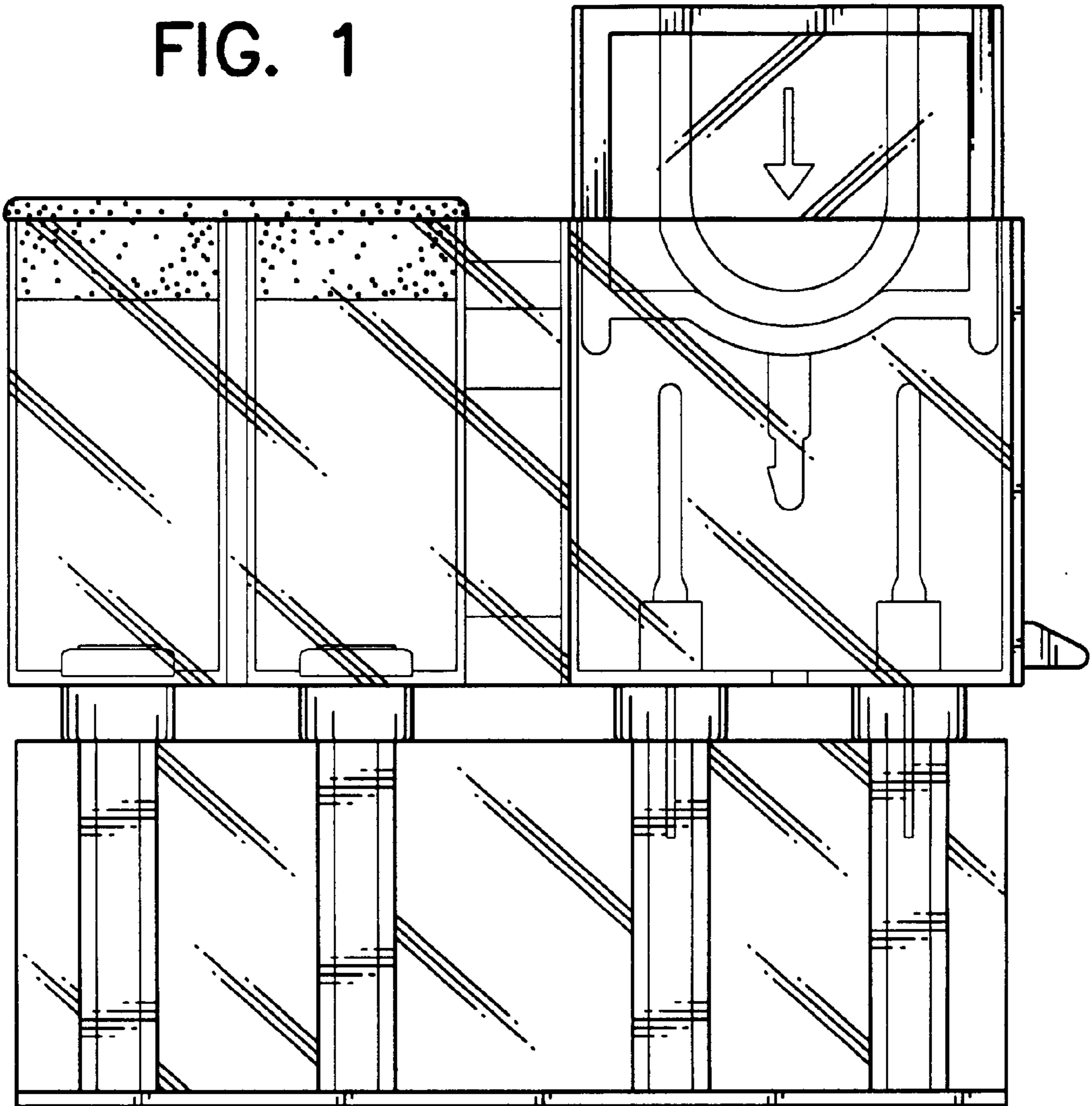
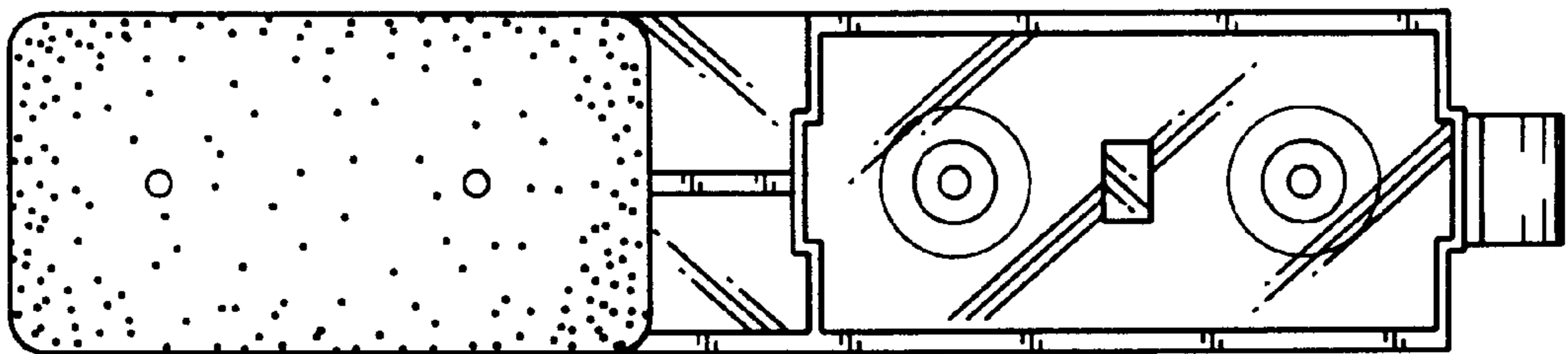


FIG. 2



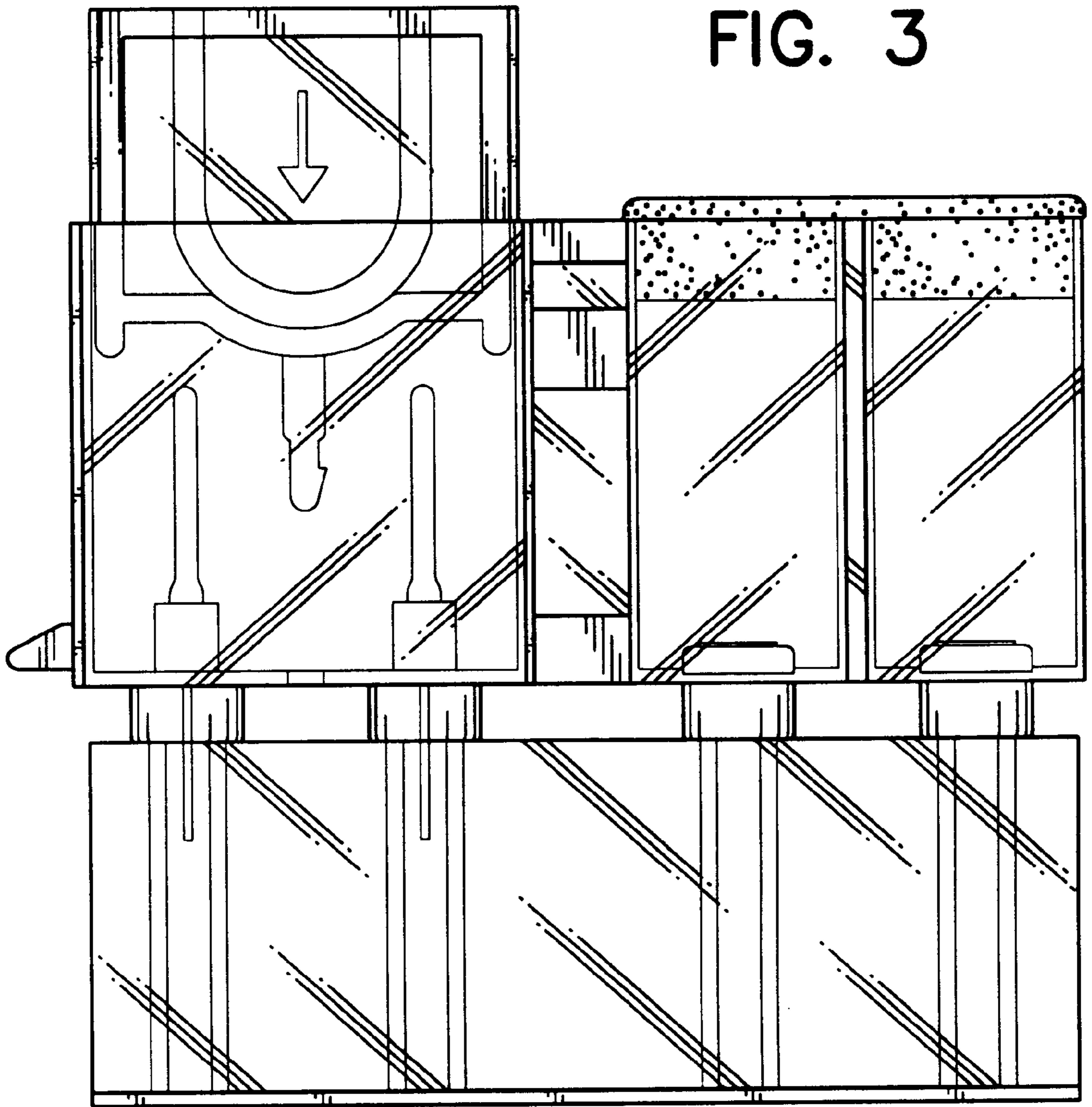


FIG. 4

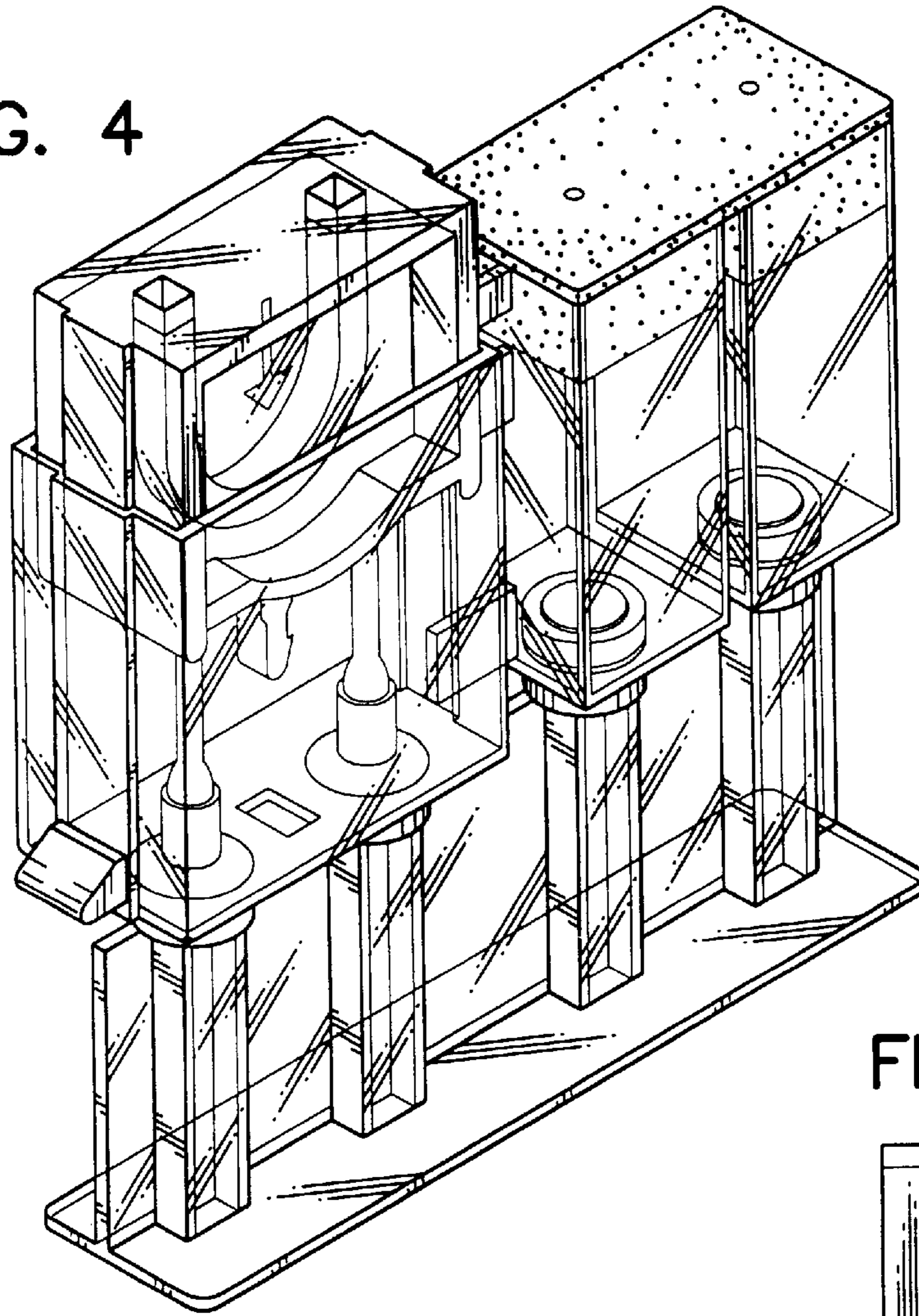


FIG. 6

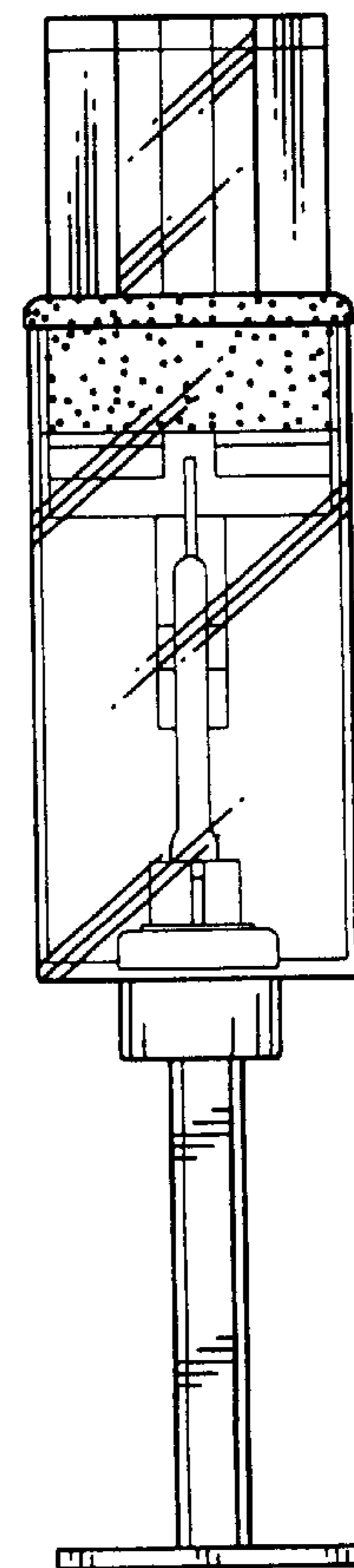


FIG. 5

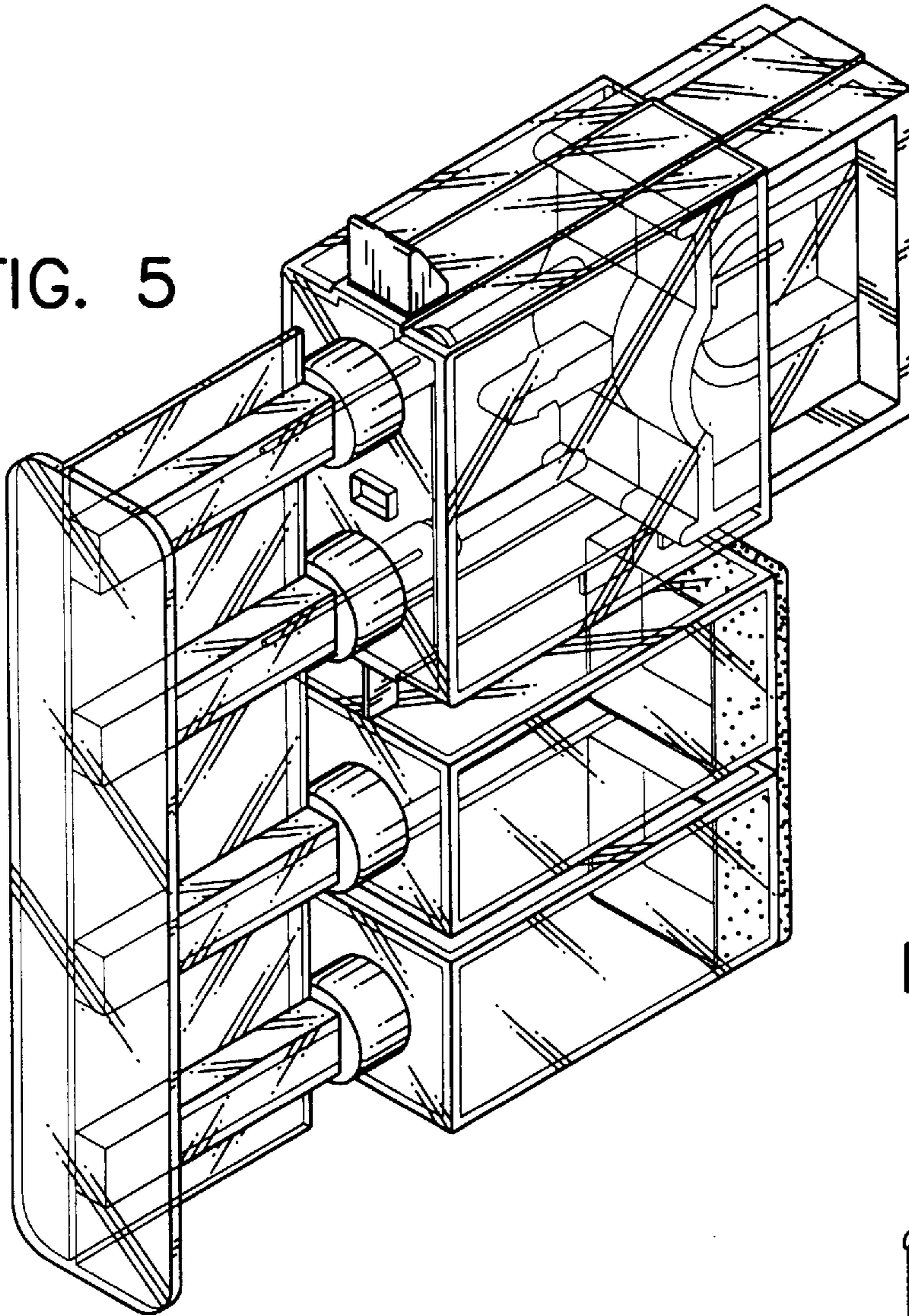


FIG. 7

