



US00D414558S

United States Patent [19]
Sauer

[11] **Patent Number: Des. 414,558**

[45] **Date of Patent: ** Sep. 28, 1999**

[54] **HOUSING FOR OPTICAL ELEMENTS FOR USE IN CONJUNCTION WITH A PROJECTOR**

5,573,493 11/1996 Sauer et al. 600/121
5,627,675 5/1997 Davis et al. 359/366

[75] Inventor: **Jude S Sauer**, Pittsford, N.Y.

Primary Examiner—Stella Reid
Attorney, Agent, or Firm—Cumpston & Shaw

[73] Assignee: **Laser Surge, Inc.**, Rochester, N.Y.

[57] **CLAIM**

[**] Term: **14 Years**

The ornamental design for a housing for optical elements for use in conjunction with a projector, as shown and described.

[21] Appl. No.: **29/077,879**

DESCRIPTION

[22] Filed: **Oct. 10, 1997**

FIG. 1 is a perspective view of the housing.
FIG. 2 is a rear elevational view of the housing.
FIG. 3 is a front elevational view of the housing.
FIG. 4 is a right side elevational view of the housing.
FIG. 5 is a left side elevational view of the housing.
FIG. 6 is a top plan view of the housing.
FIG. 7 is a bottom plan view of the housing; and,
FIG. 8 is a side elevational view showing the housing in cooperative orientation with respect to a projector.
The broken line showing is for illustrative purposes only and forms no part of the claimed design.

[51] **LOC (6) Cl.** **24-01**

[52] **U.S. Cl.** **D24/172**

[58] **Field of Search** D24/172; 600/121,
600/171, 170, 175, 177, 182; 359/366,
361, 365, 724, 725, 729, 731, 236

[56] **References Cited**

U.S. PATENT DOCUMENTS

5,113,281 5/1992 Mandelboum et al. 359/236
5,543,832 8/1996 Oravec et al. .

1 Claim, 3 Drawing Sheets

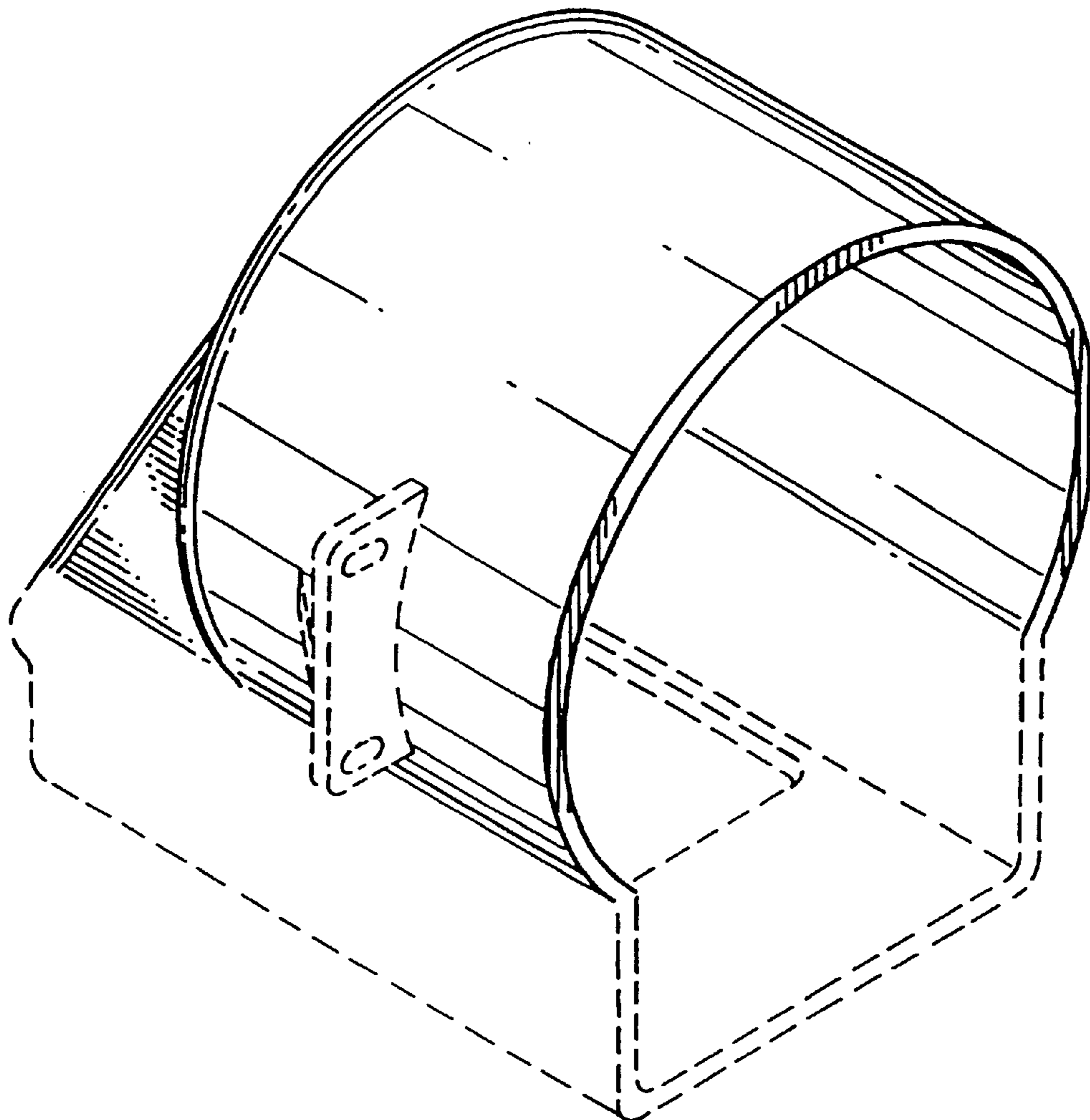


FIG. 1

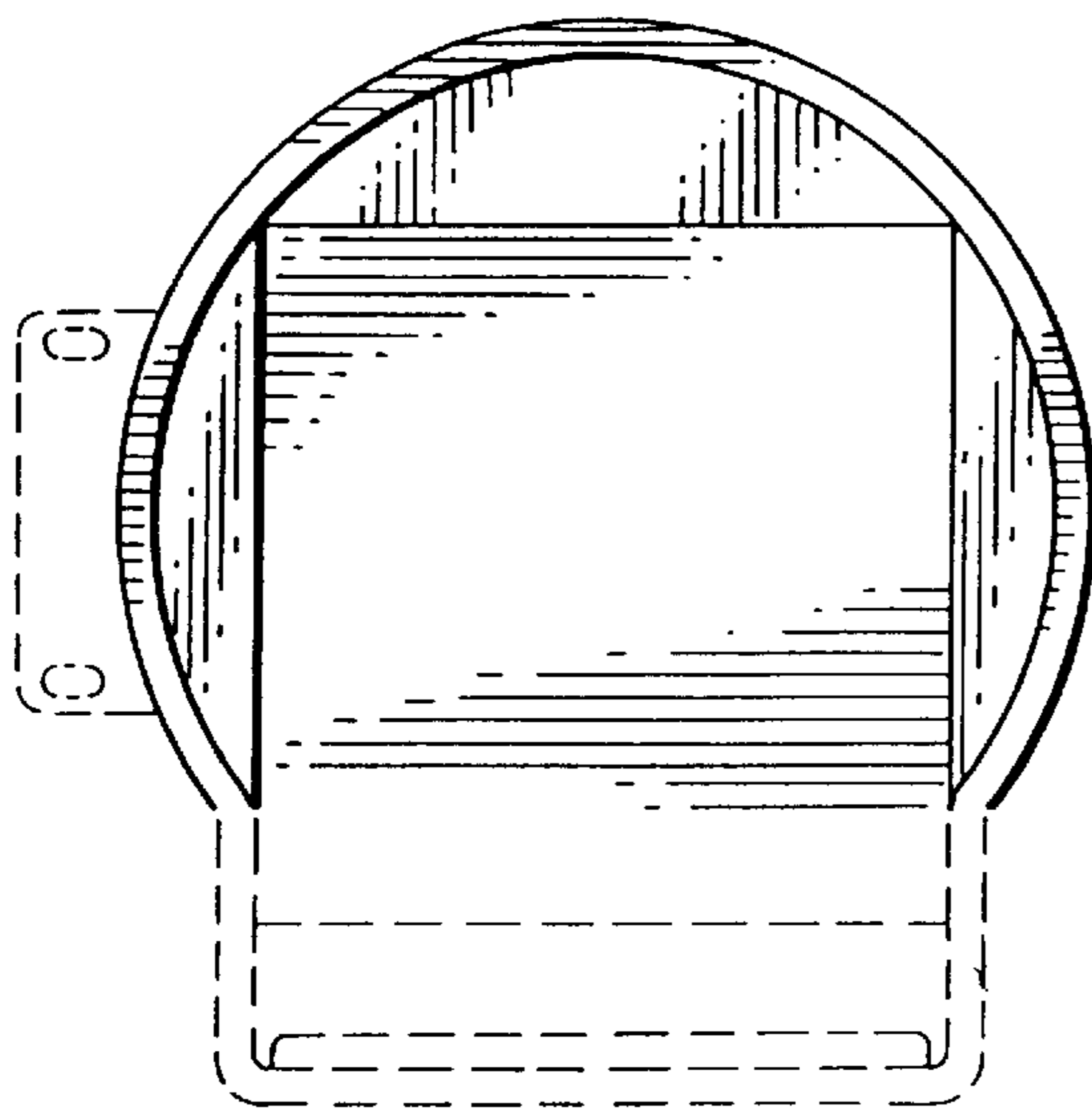
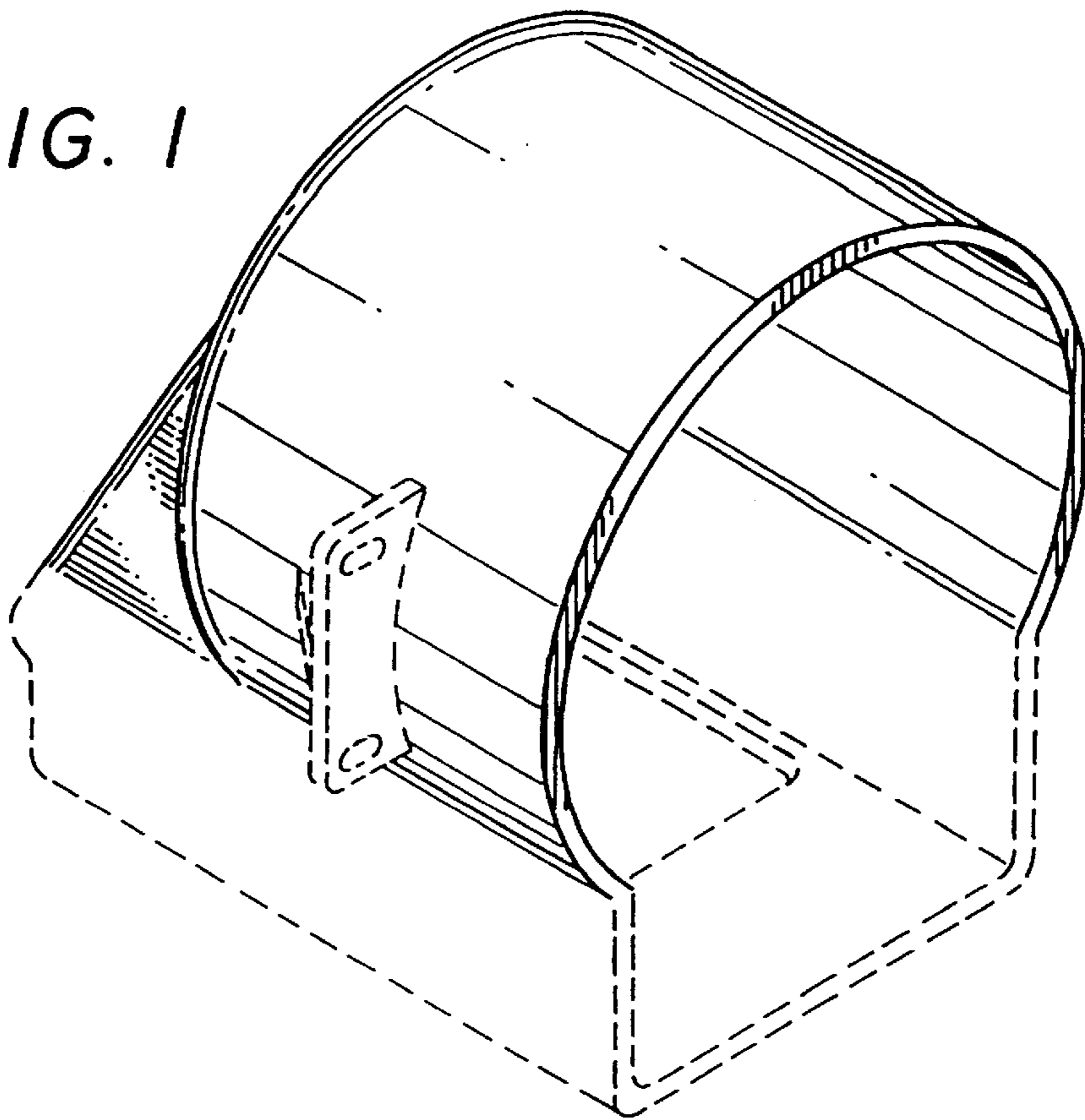


FIG. 2

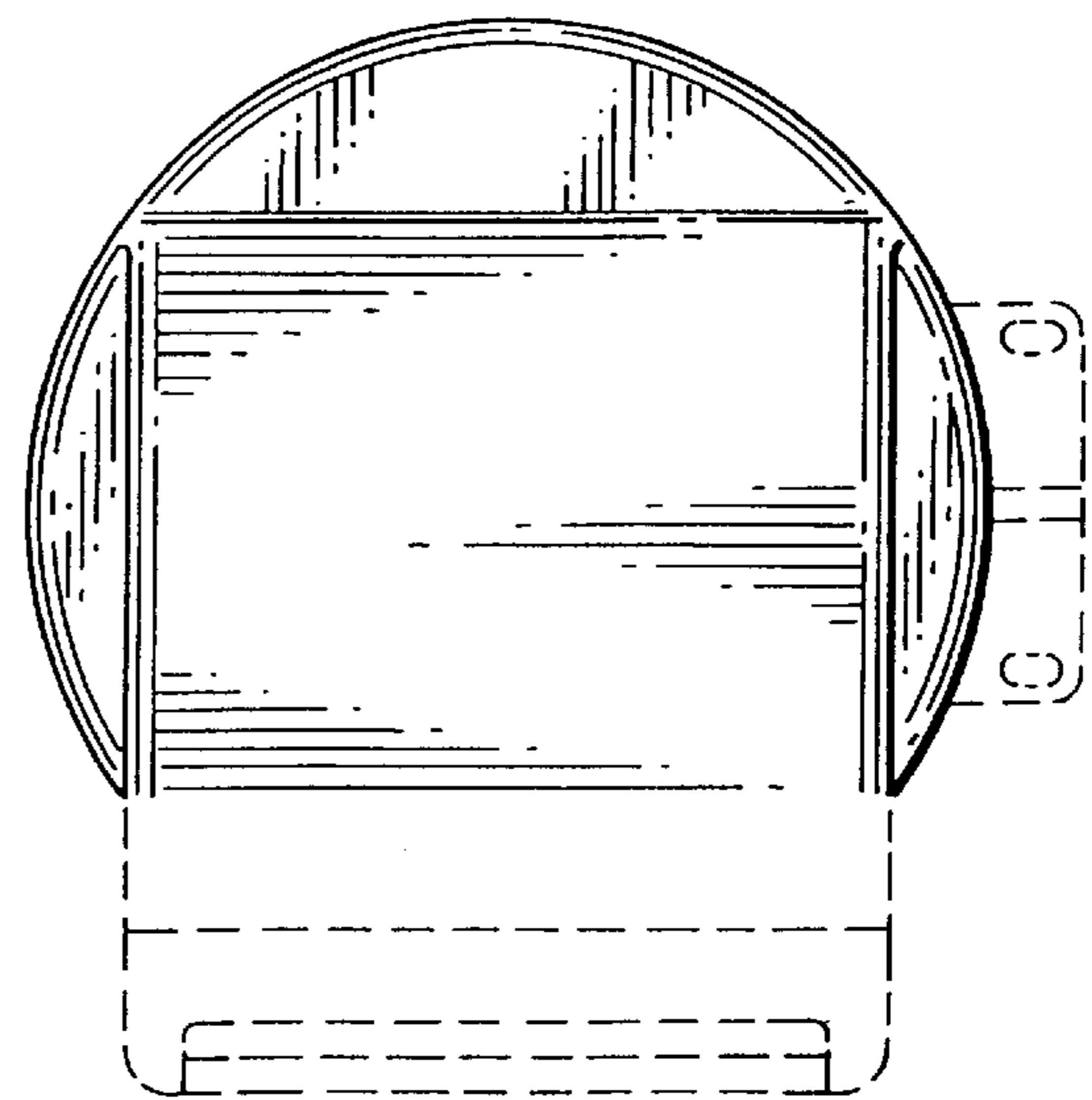


FIG. 3

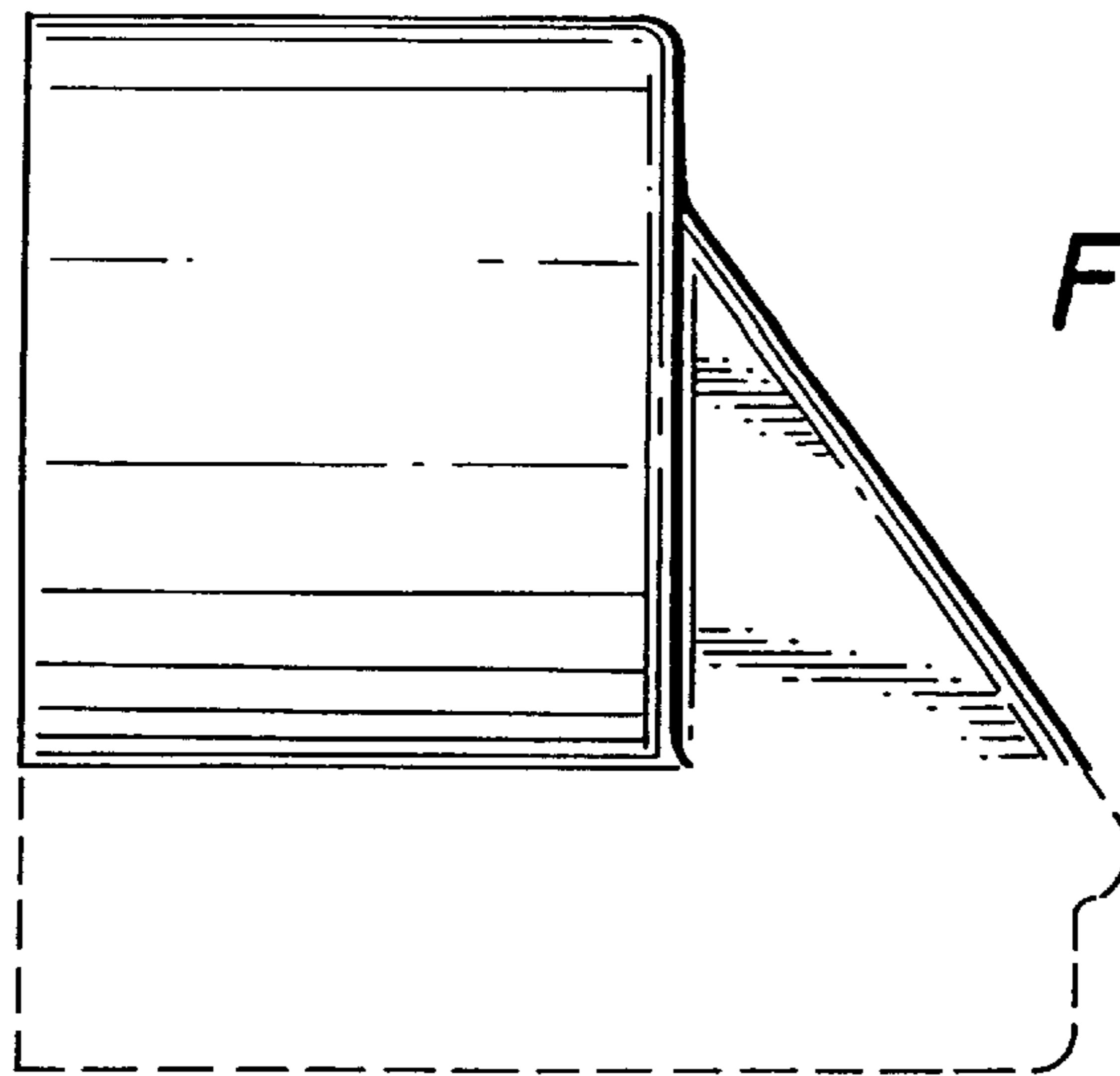


FIG. 4

FIG. 5

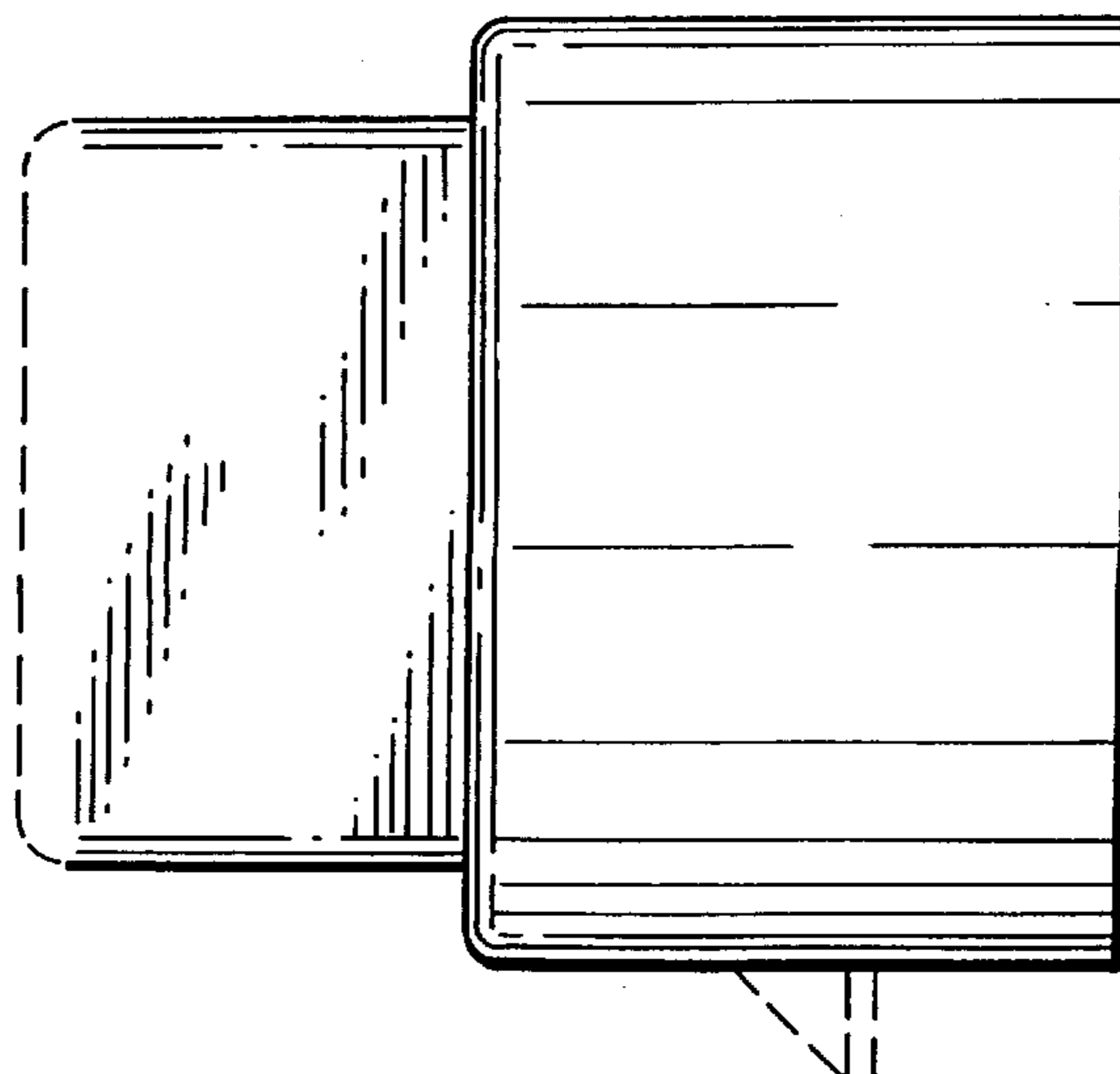
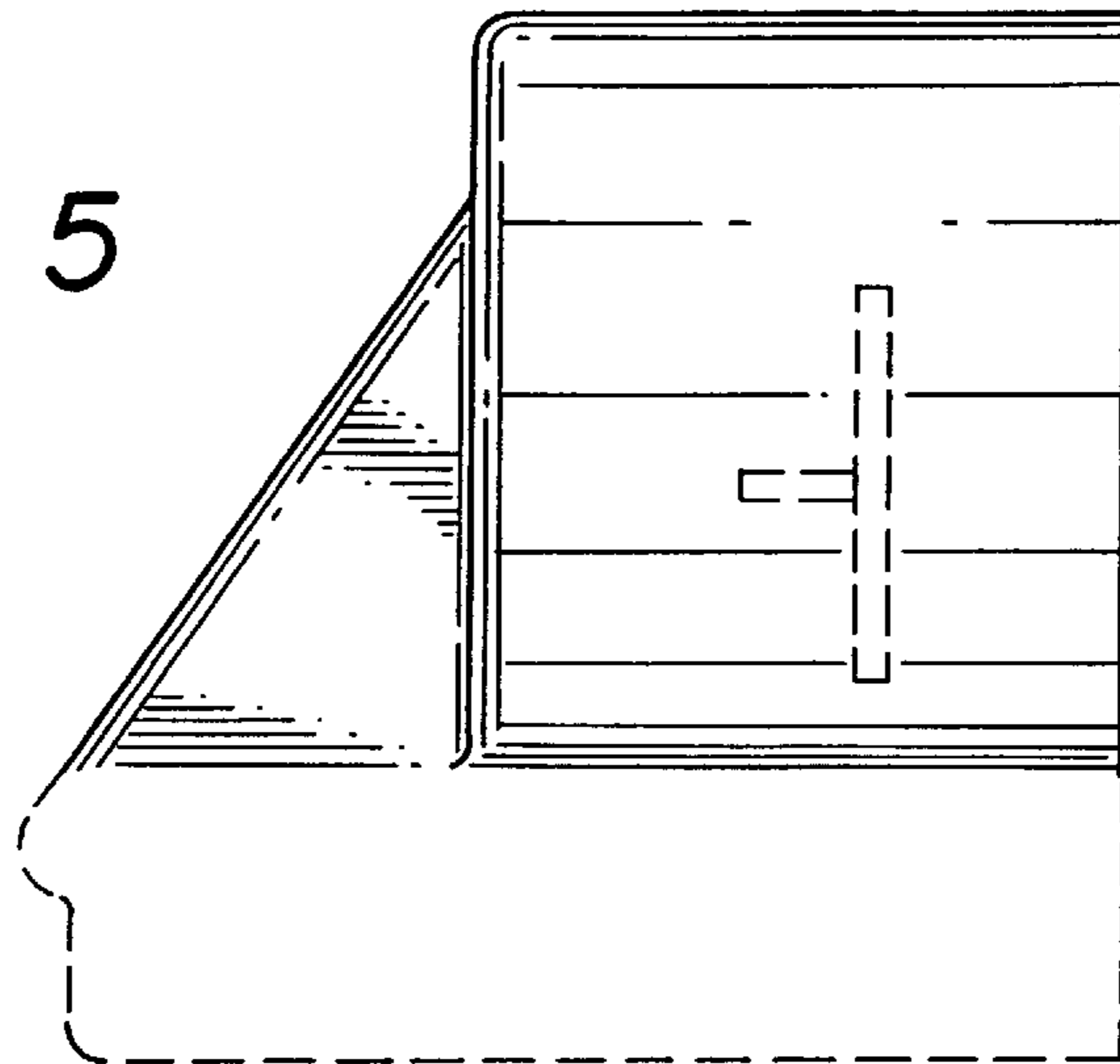


FIG. 6

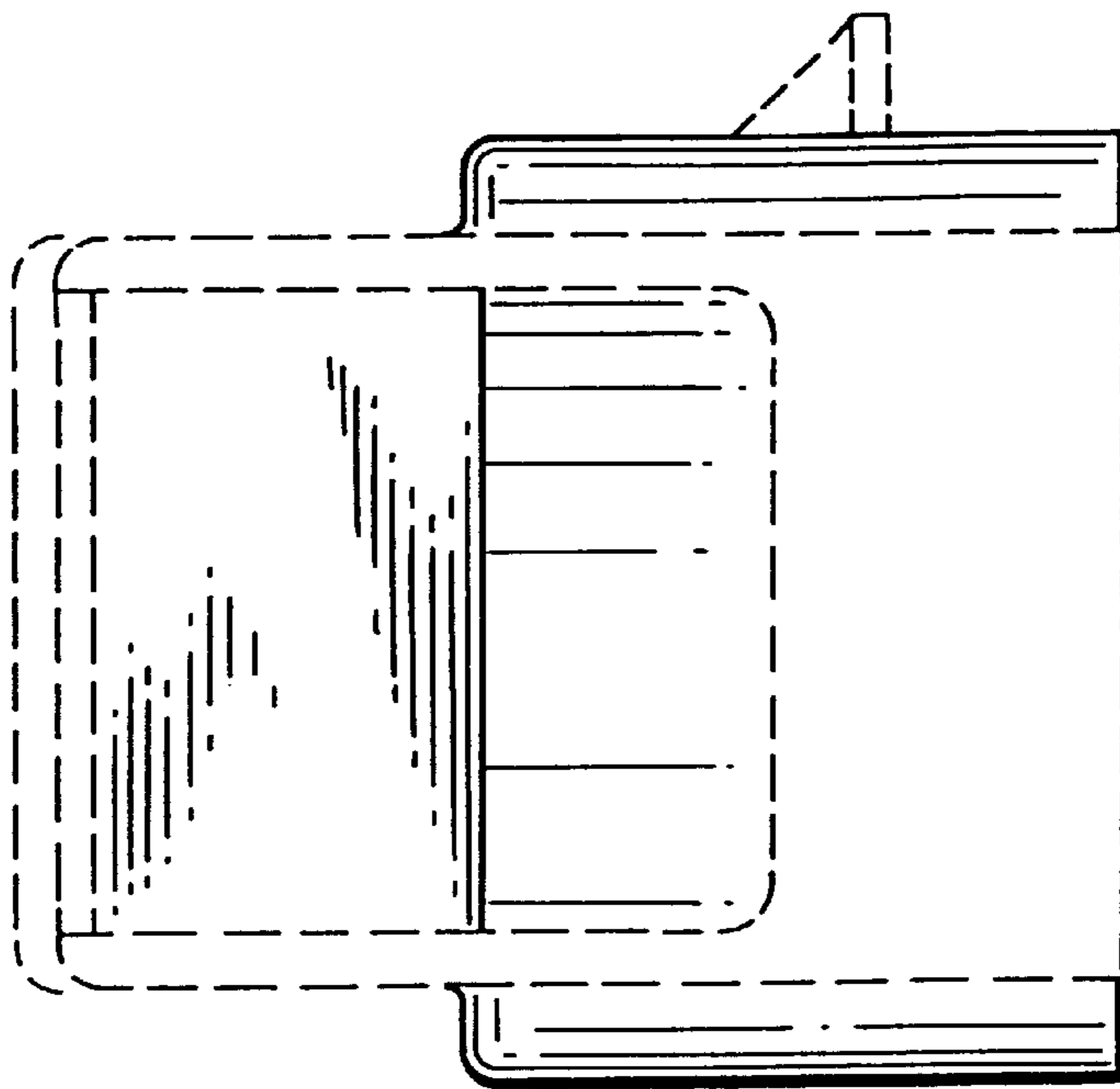


FIG. 7

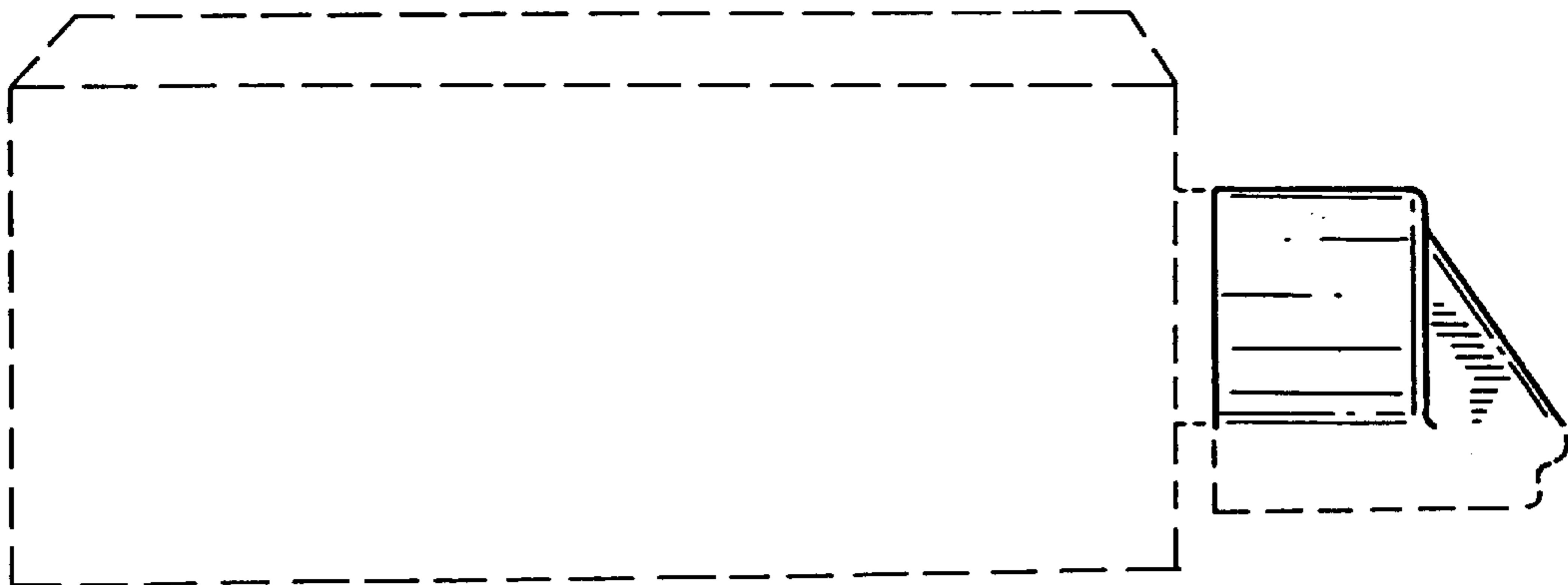


FIG. 8

UNITED STATES PATENT AND TRADEMARK OFFICE
CERTIFICATE OF CORRECTION

PATENT NO. : Des. 414,558
DATED : September 28, 1999
INVENTOR(S) : Sauer

It is certified that error appears in the above-identified patent and that said Letters Patent is hereby corrected as shown below:

On the title page, item [73] should read:
Assignee: LaserSurge, Inc., Rochester, N.Y.

Signed and Sealed this
Thirteenth Day of March, 2001

Attest:



NICHOLAS P. GODICI

Attesting Officer

Acting Director of the United States Patent and Trademark Office