



US00D414557S

United States Patent [19]

Sechrist

[11] Patent Number: Des. 414,557

[45] Date of Patent: ** Sep. 28, 1999

[54] **HYPERBARIC CHAMBER CONTROL PANEL**

[75] Inventor: **James Ronald Sechrist**, Newport Beach, Calif.

[73] Assignee: **Sechrist Industries, Inc.**, Anaheim, Calif.

[**] Term: **14 Years**

[21] Appl. No.: **29/095,763**

[22] Filed: **Oct. 29, 1998**

[51] **LOC (6) Cl.** **24-01**

[52] **U.S. Cl.** **D24/164; D13/164**

[58] **Field of Search** D13/162, 164; D24/107, 164, 186; 128/202.12, 205.26; 361/622, 625, 627

[56] **References Cited**

U.S. PATENT DOCUMENTS

D. 225,861 1/1973 Kalvitis D13/164

D. 252,282 7/1979 Wetterman et al. D24/107
D. 312,307 11/1990 Leibson et al. D24/186
D. 346,864 5/1994 Reneau D24/164
4,509,513 4/1985 Lasley 128/202.12

Primary Examiner—Adir Aronovich
Attorney, Agent, or Firm—Oppenheimer Wolff & Donnelly LP

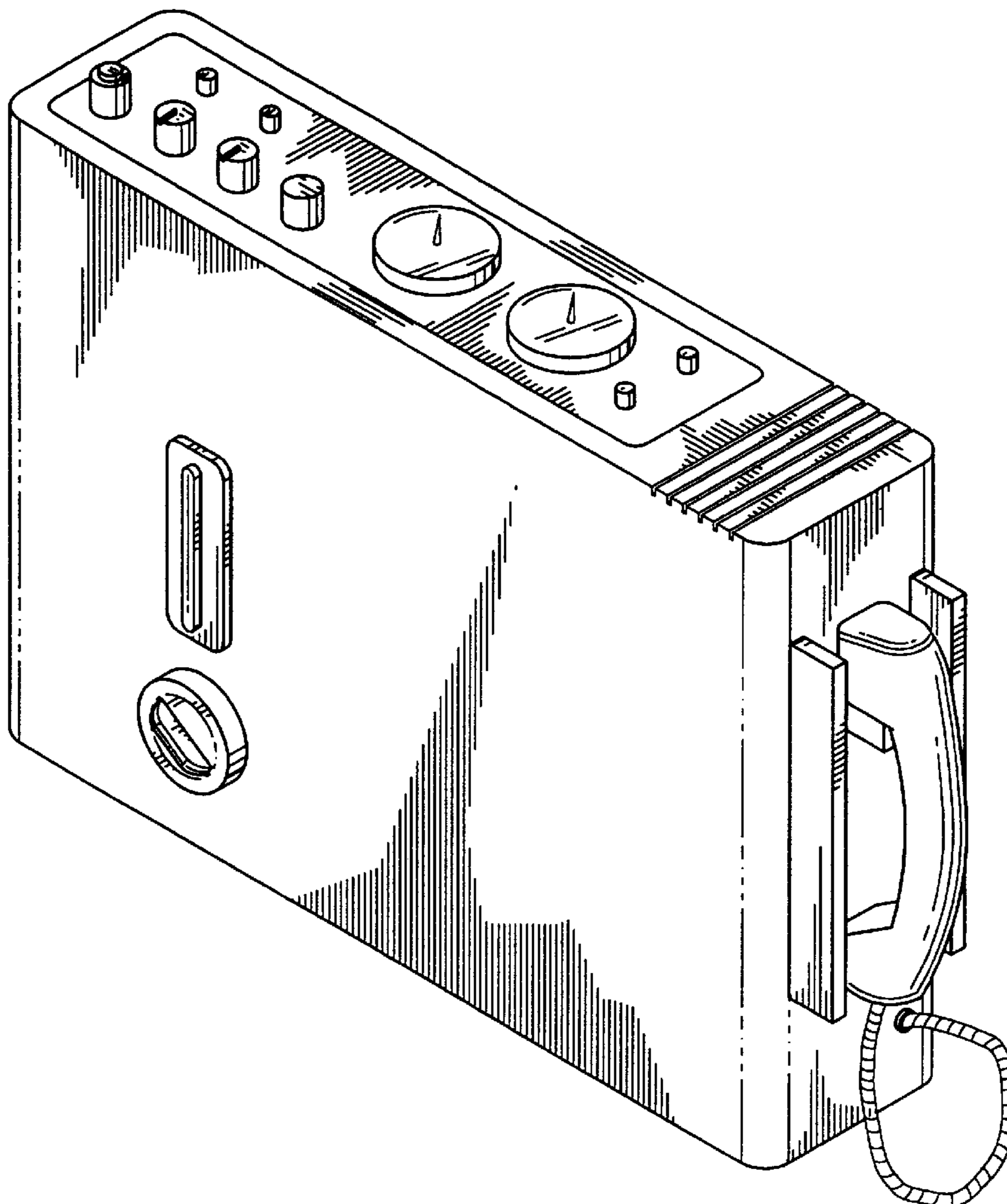
[57] **CLAIM**

The ornamental hyperbaric chamber control panel, as shown and described.

DESCRIPTION

FIG. 1 is a perspective view of a hyperbaric chamber control panel; FIG. 2 is a front elevational view thereof; FIG. 3 is a left side elevational view thereof; FIG. 4 is a right side elevational view thereof; FIG. 5 is a rear elevational view thereof; FIG. 6 is a top plan view thereof; and, FIG. 7 is a bottom plan view thereof.

1 Claim, 4 Drawing Sheets



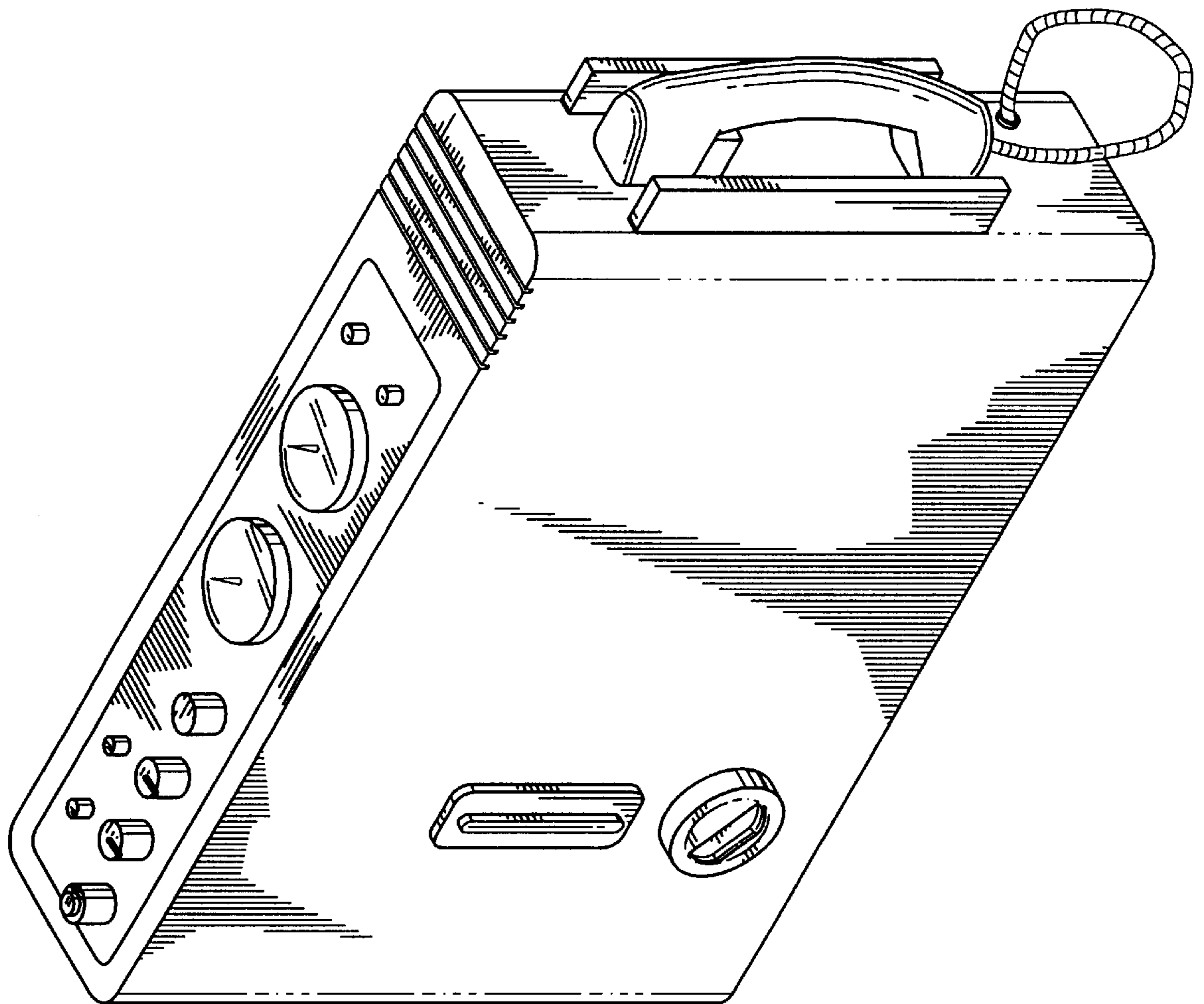


FIG. 1

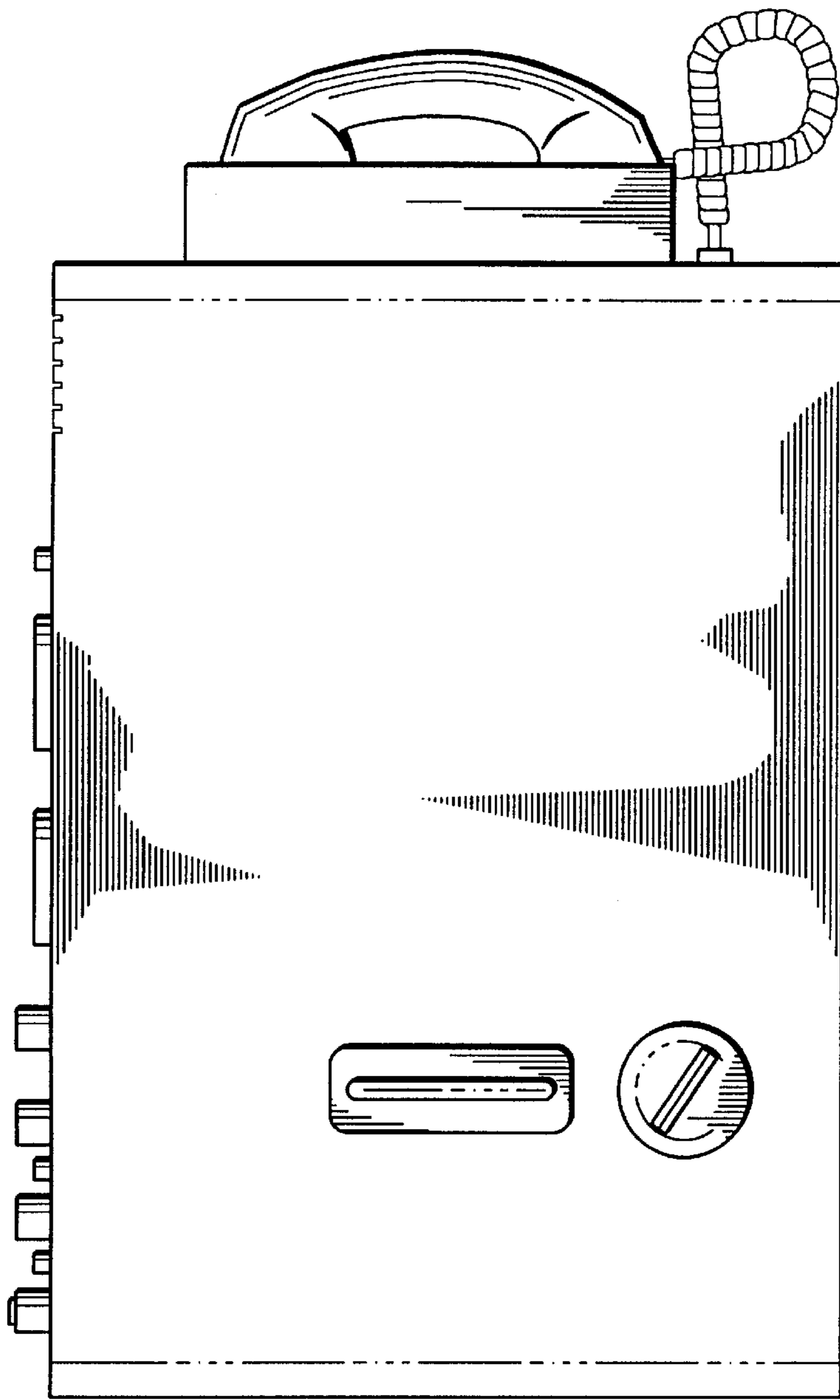


FIG. 2

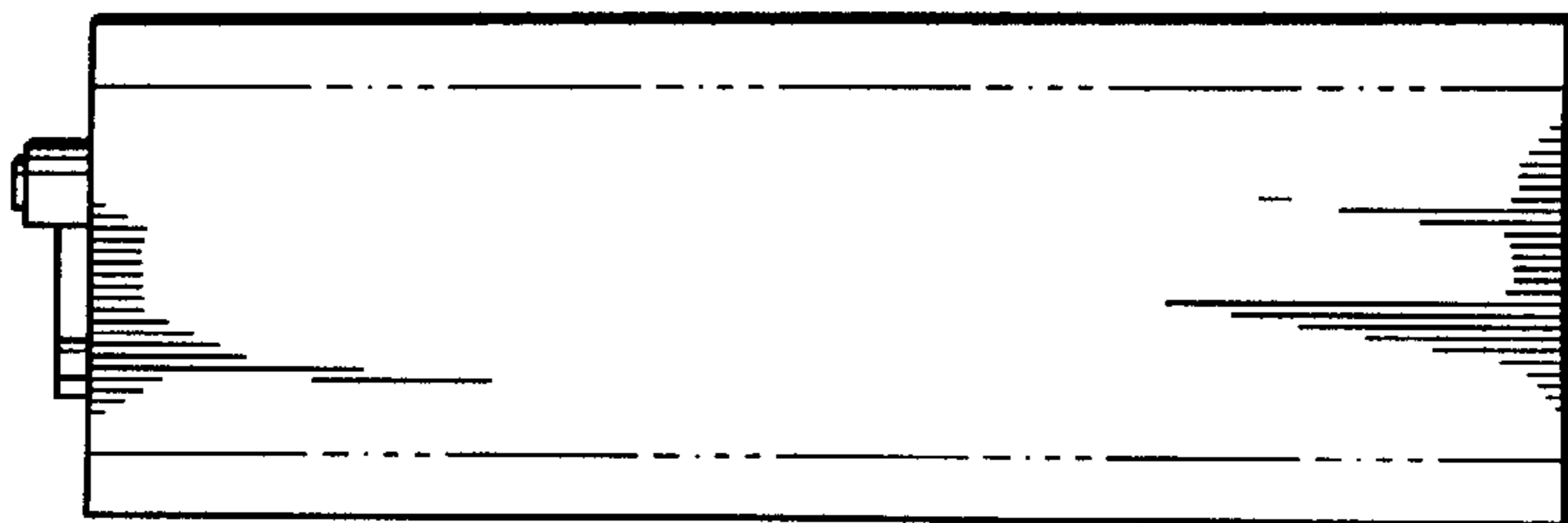


FIG. 3

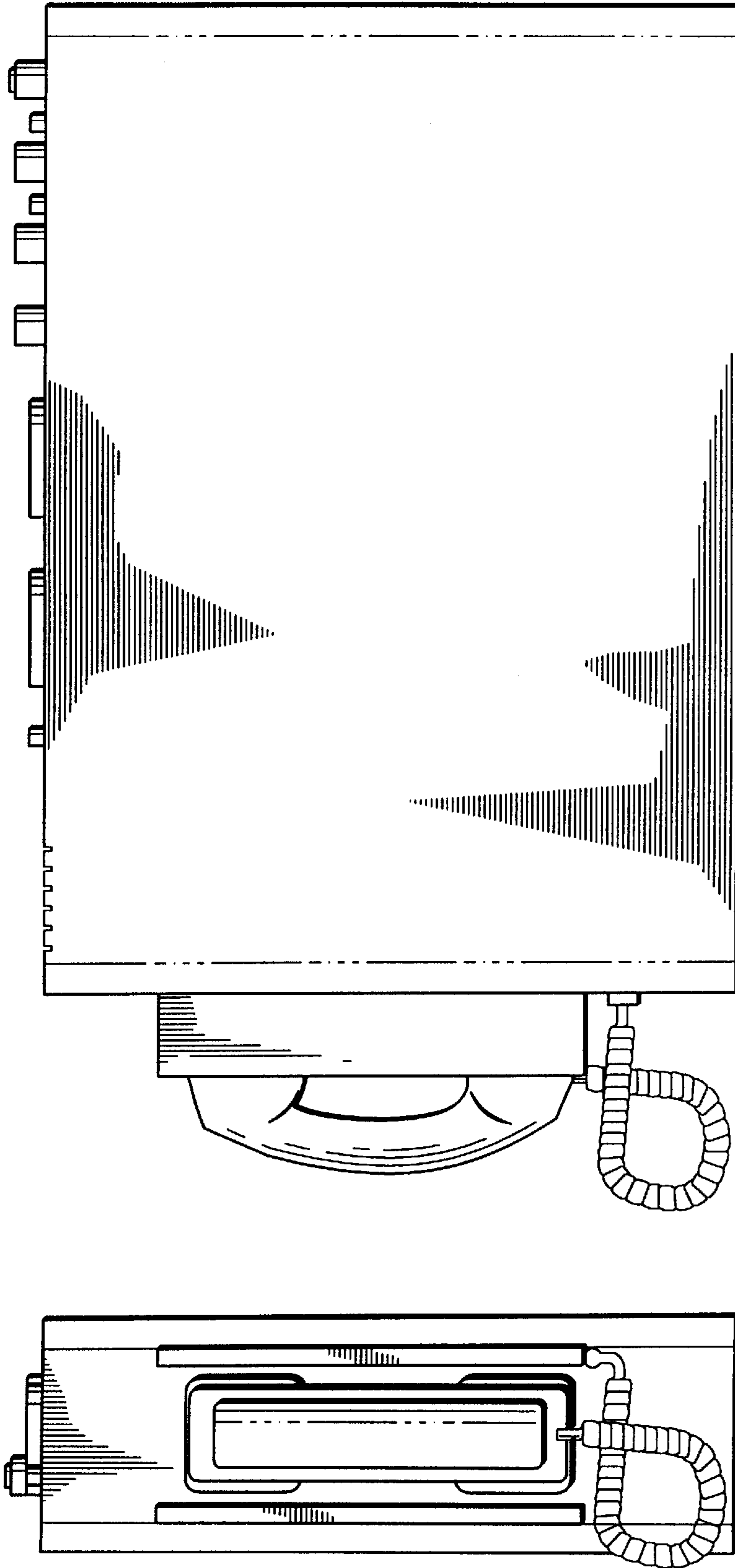


FIG. 5

FIG. 4

FIG. 6

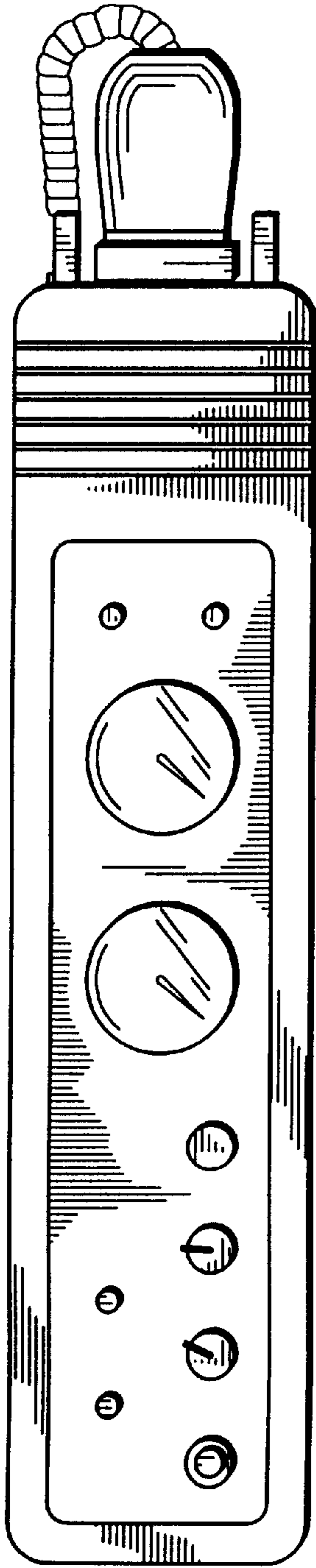


FIG. 7

