



US00D414556S

United States Patent [19]

[11] **Patent Number: Des. 414,556**

Broberg et al.

[45] **Date of Patent: ** Sep. 28, 1999**

[54] **HEALING ABUTMENT FOR A DENTAL IMPLANT**

*Primary Examiner—Kay H. Chin
Attorney, Agent, or Firm—White & Case L.L.P.*

[75] Inventors: **Leif Broberg**, Gothenburg; **Anders Holmen**, Billdal; **Nils Gustav Bergstrom**, Vagnharad, all of Sweden

[57] **CLAIM**

The ornamental design for a healing abutment for a dental implant, as shown and described.

[73] Assignee: **Astra Aktiebolag**, Sodertalje, Sweden

DESCRIPTION

[**] Term: **14 Years**

FIG. 1 is a top perspective view of a healing abutment for a dental implant showing our new design;
FIG. 2 is a bottom plan view thereof;
FIG. 3 is a left side elevational view thereof;
FIG. 4 is a top plan view thereof;
FIG. 5 is a right side elevational view thereof;
FIG. 6 is a top perspective view of a second embodiment of the healing abutment for a dental implant;
FIG. 7 is a bottom plan view of FIG. 6;
FIG. 8 is a left side elevational view of FIG. 6;
FIG. 9 is a top plan view of FIG. 6;
FIG. 10 is a right side elevational view of FIG. 6;
FIG. 11 is a top perspective view of a third embodiment of the healing abutment for a dental implant;
FIG. 12 is a bottom plan view of FIG. 11;
FIG. 13 is a left side elevational view of FIG. 11;
FIG. 14 is a top plan view of FIG. 11; and,
FIG. 15 is a right side elevational view of FIG. 11.

[21] Appl. No.: **29/041,334**

[22] Filed: **Jul. 12, 1995**

[30] **Foreign Application Priority Data**

Jan. 12, 1995	[SE]	Sweden	95-0076
Jan. 12, 1995	[SE]	Sweden	95-0077
Jan. 12, 1995	[SE]	Sweden	95-0078

[51] **LOC (6) Cl.** **24-03**

[52] **U.S. Cl.** **D24/156**

[58] **Field of Search** D24/152-156;
433/172, 173, 174, 141

[56] **References Cited**

U.S. PATENT DOCUMENTS

4,906,191	3/1990	Söderberg	433/173
5,030,096	7/1991	Hurson et al.	433/141
5,195,891	3/1993	Sulc	433/173

1 Claim, 3 Drawing Sheets

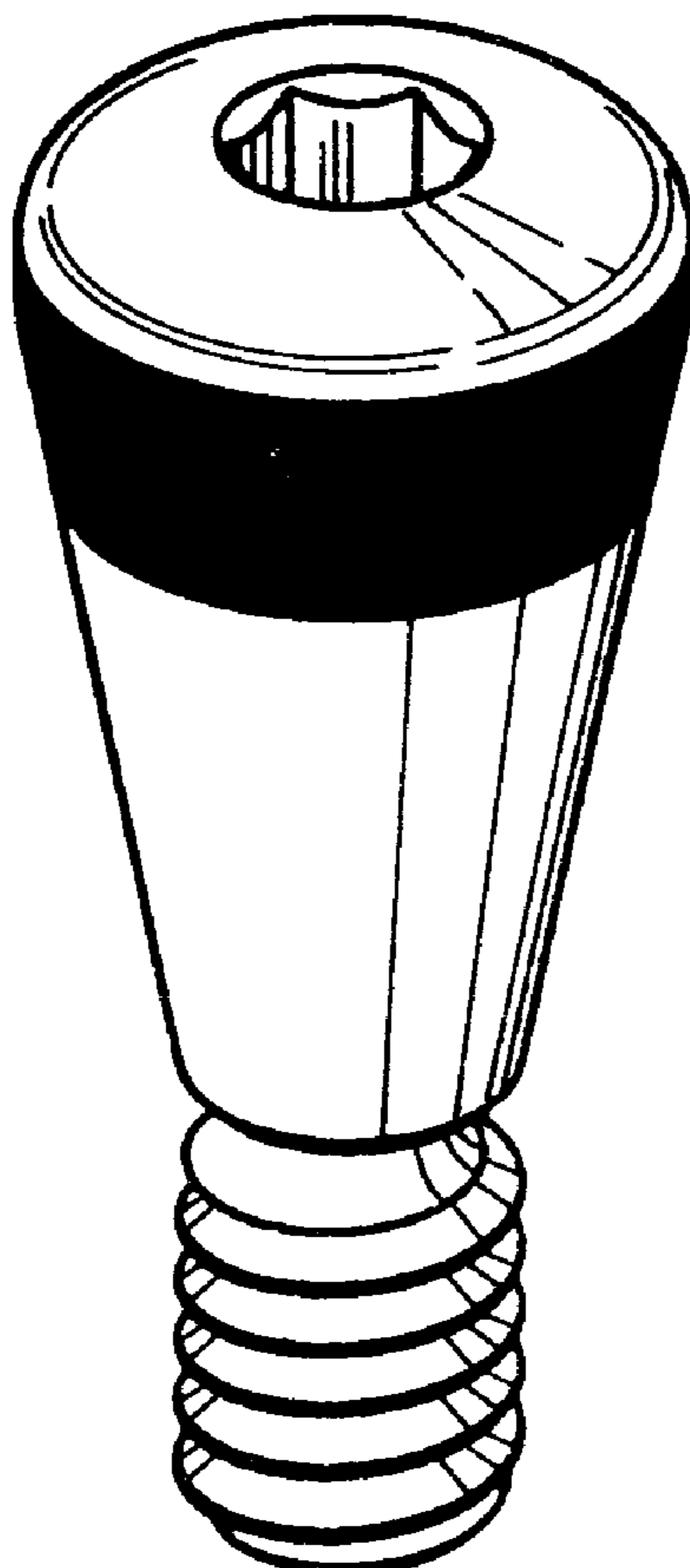


Fig. 5

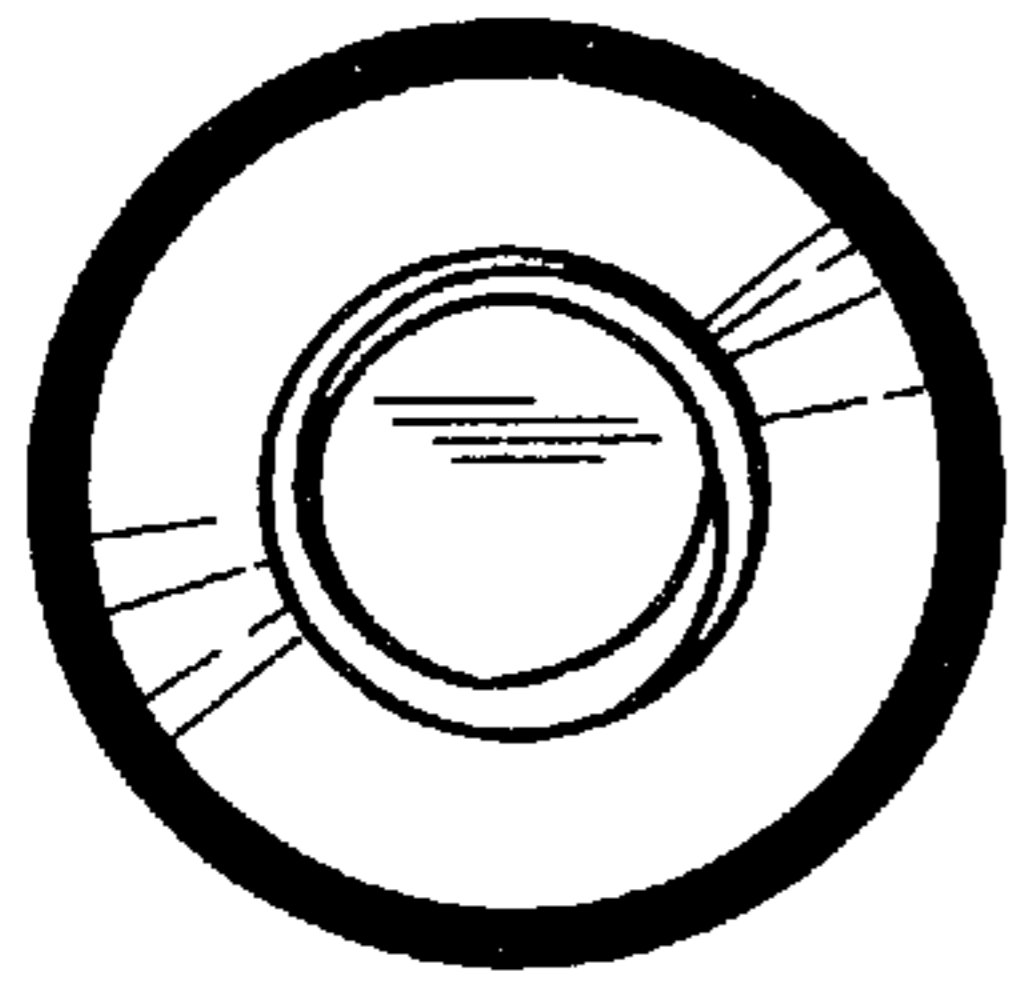
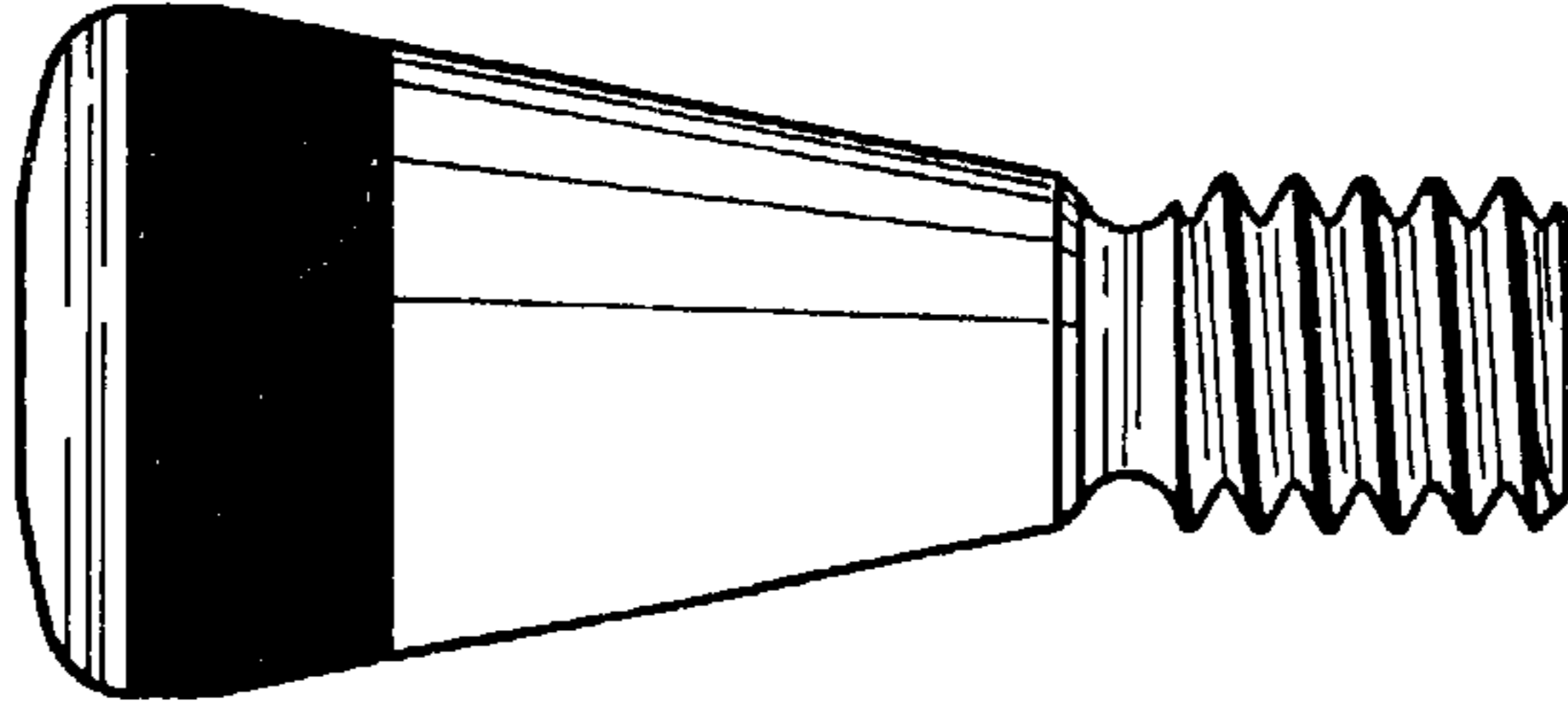


Fig. 2

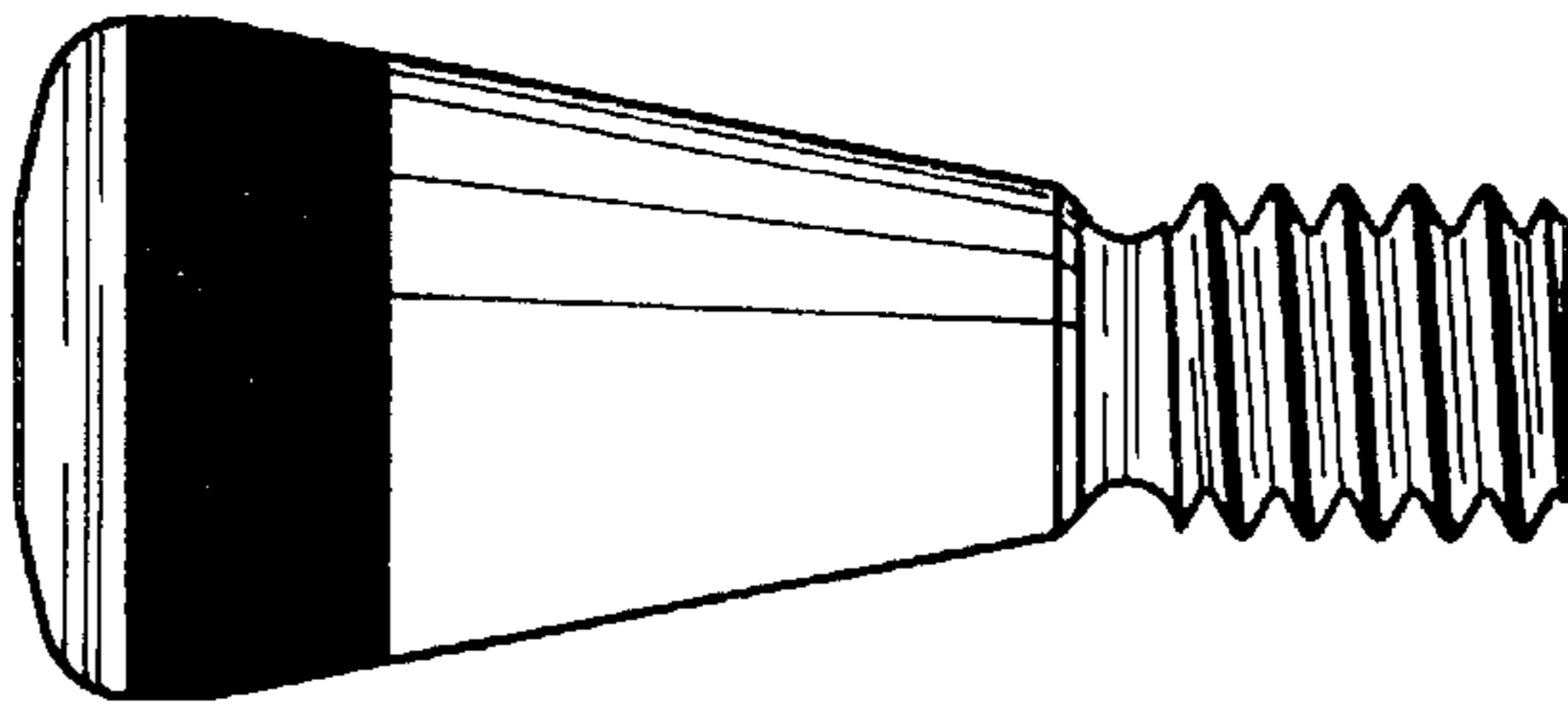


Fig. 3

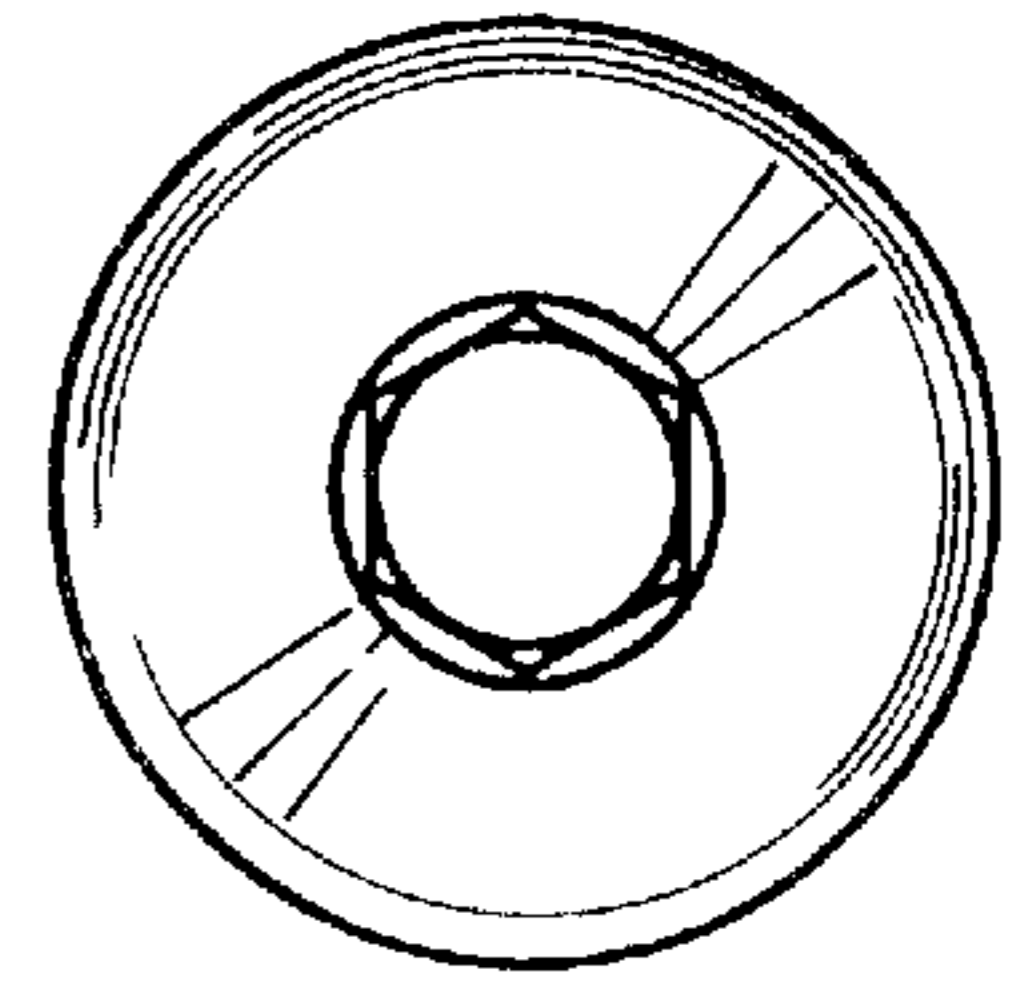


Fig. 4

Fig. 1

