



US00D414555S

United States Patent [19]
Ritsche

[11] **Patent Number: Des. 414,555**

[45] **Date of Patent: ** Sep. 28, 1999**

[54] **COMBINED PHARMACEUTICAL DISCHARGE APPARATUS AND LID**

5,511,698 4/1996 Solignac 222/162

[75] Inventor: **Stefan Ritsche**, Radolfzell, Germany

[73] Assignee: **Ing. Erich Pfeiffer GmbH**, Germany

[**] Term: **14 Years**

[21] Appl. No.: **29/069,952**

[22] Filed: **Apr. 18, 1997**

[30] **Foreign Application Priority Data**

Oct. 23, 1996 [DE] Germany M9609369

[51] **LOC (6) Cl.** **24-04**

[52] **U.S. Cl.** **D24/110**

[58] **Field of Search** D24/110, 110.5;
128/200.23, 200.21, 200.14; 222/320, 321.1,
383.1, 385

[56] **References Cited**

U.S. PATENT DOCUMENTS

- D. 237,017 9/1975 Beaufour D24/110
- D. 331,106 11/1992 Fuchs .
- D. 359,555 6/1995 Funai et al. D24/110
- 4,175,704 11/1979 Cohen .
- 4,921,142 5/1990 Graf et al. .
- 4,946,069 8/1990 Fuchs 222/321.1 X
- 5,257,726 11/1993 Graf et al. .
- 5,289,818 3/1994 Citterio et al. 128/200.14
- 5,307,953 5/1994 Regan .
- 5,427,280 6/1995 Fuchs 222/320

FOREIGN PATENT DOCUMENTS

0 021 123 1/1981 European Pat. Off. .
WO 97/13534 4/1997 WIPO .

Primary Examiner—Stella Reid
Attorney, Agent, or Firm—Quarles & Brady

[57] **CLAIM**

The ornamental design for a combined pharmaceutical discharge apparatus and lid, as shown and described.

DESCRIPTION

FIG. 1 is a front elevational view of a combined pharmaceutical discharge apparatus and lid, showing my new design with the lid removed;

FIG. 2 is a side elevational view thereof;

FIG. 3 is an opposite side elevational view thereof;

FIG. 4 is a top plan view thereof;

FIG. 5 is a bottom plan view thereof.

FIG. 6 is an opposite front perspective view thereof;

FIG. 7 is a front elevational view thereof with the lid attached;

FIG. 8 is a side elevational view thereof;

FIG. 9 is an opposite side elevational view thereof;

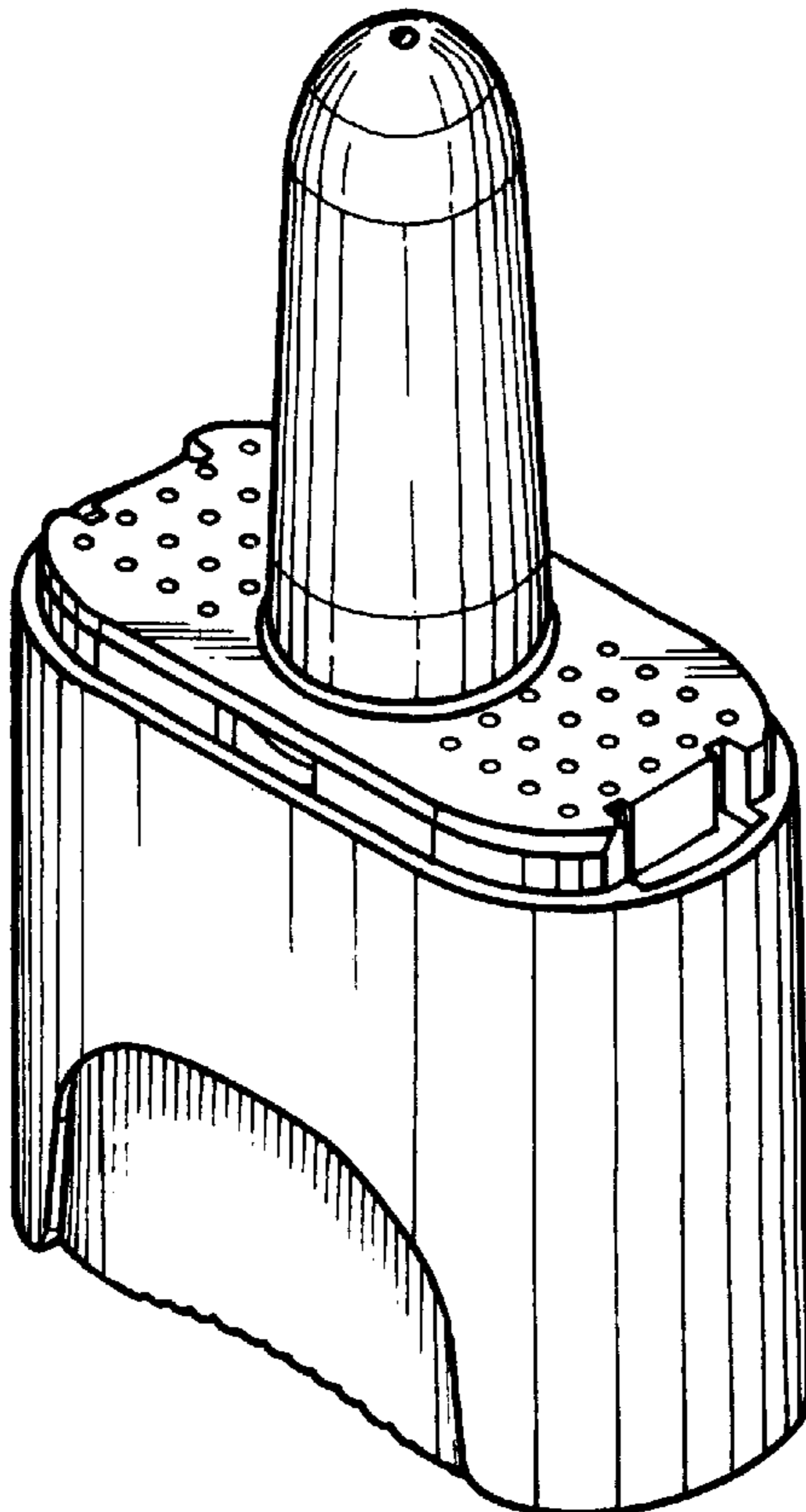
FIG. 10 is a top plan view thereof;

FIG. 11 is a bottom plan view thereof;

FIG. 12 is an opposite front perspective view thereof; and,

FIG. 13 is another front perspective view thereof, with the lid in separated condition.

1 Claim, 3 Drawing Sheets



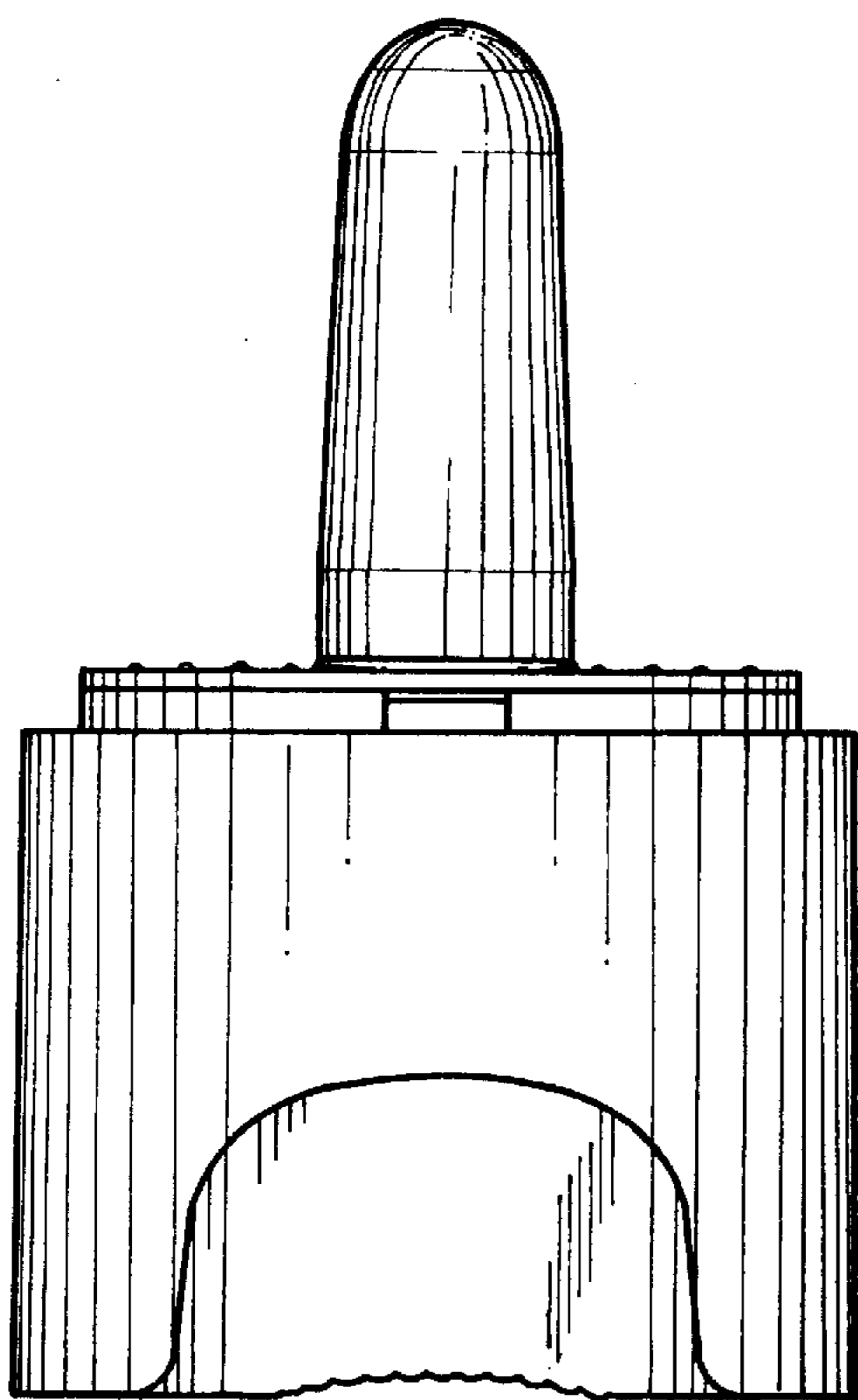


Fig. 1

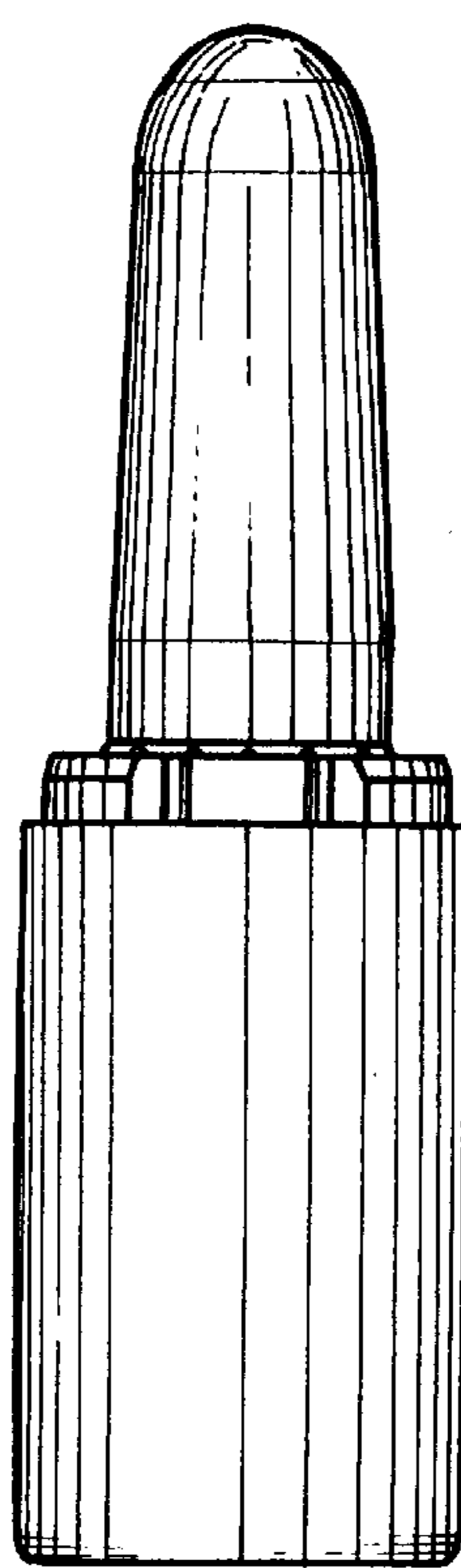


Fig. 2

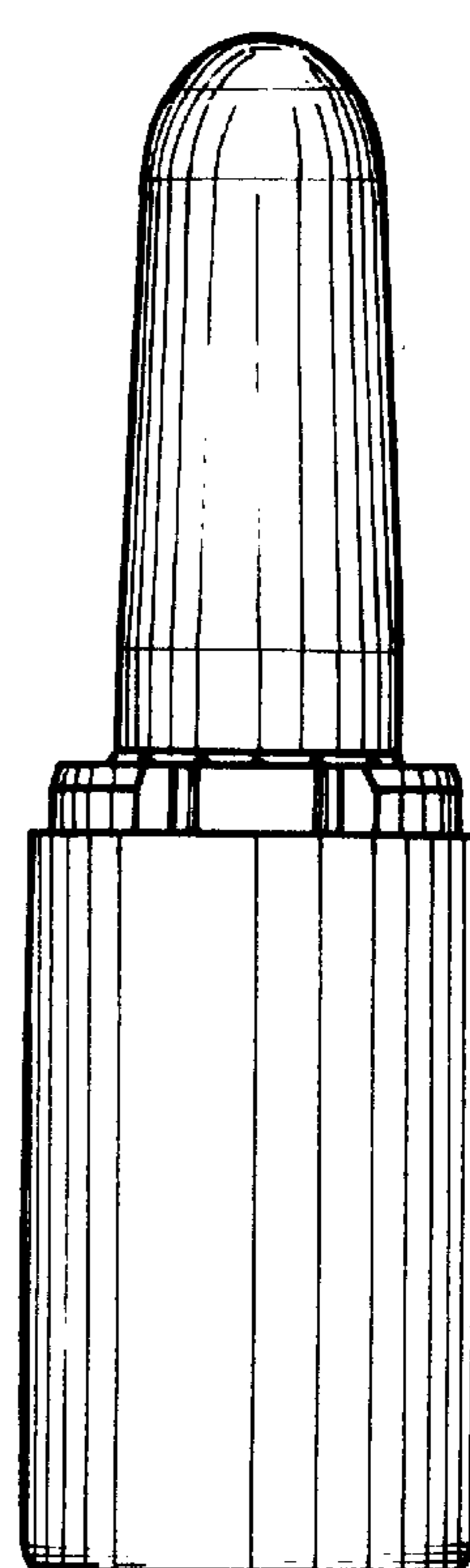


Fig. 3

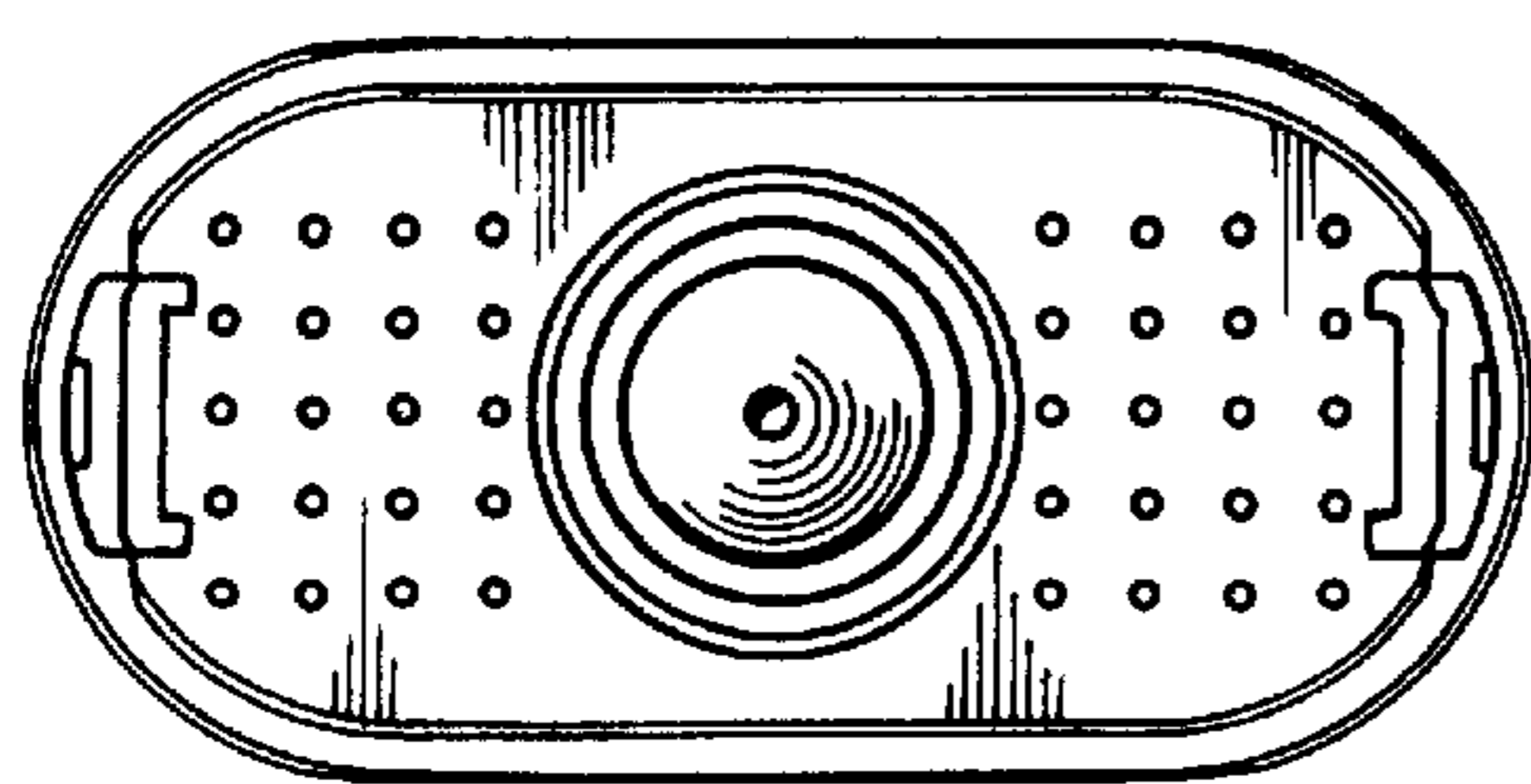


Fig. 4

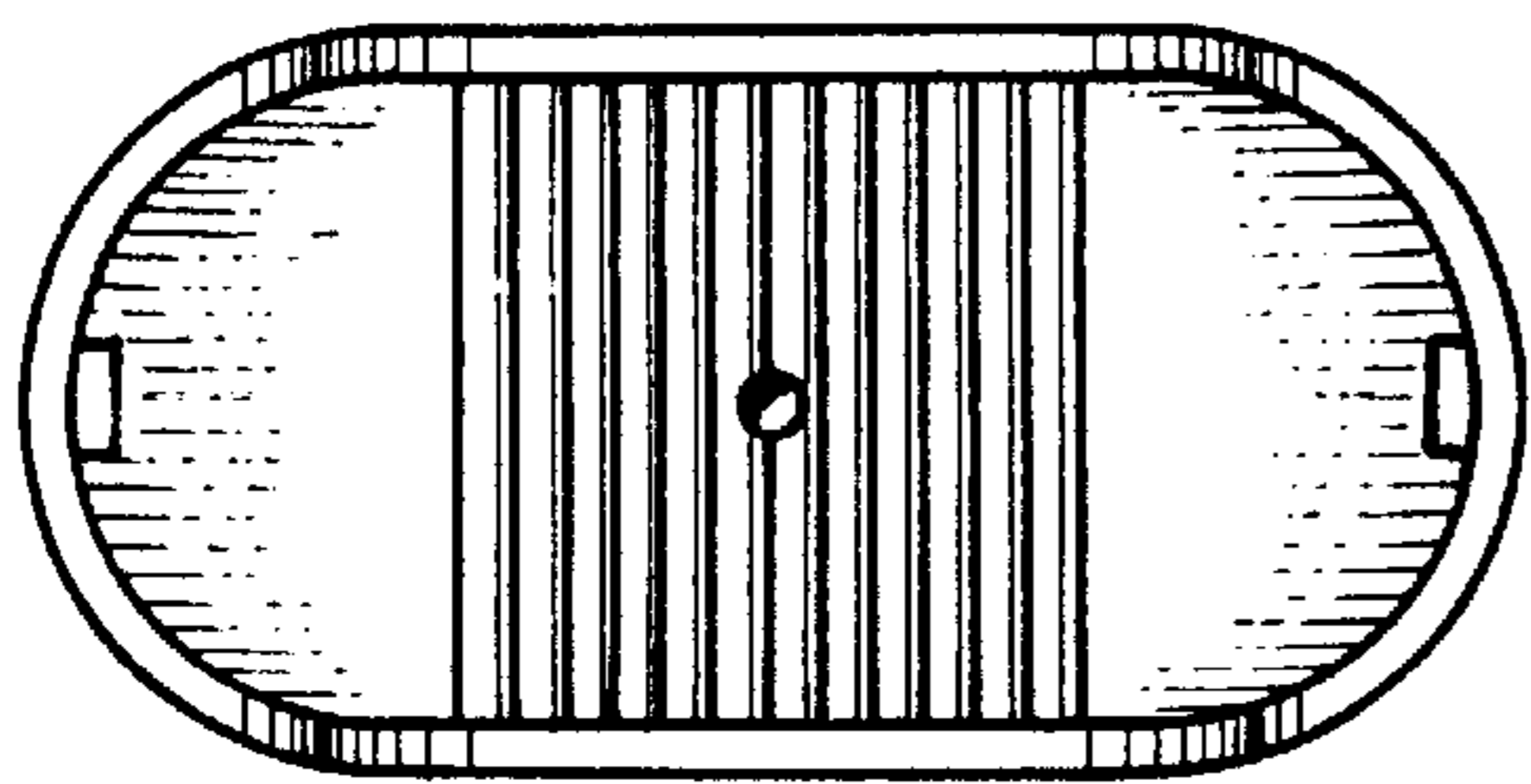


Fig. 5

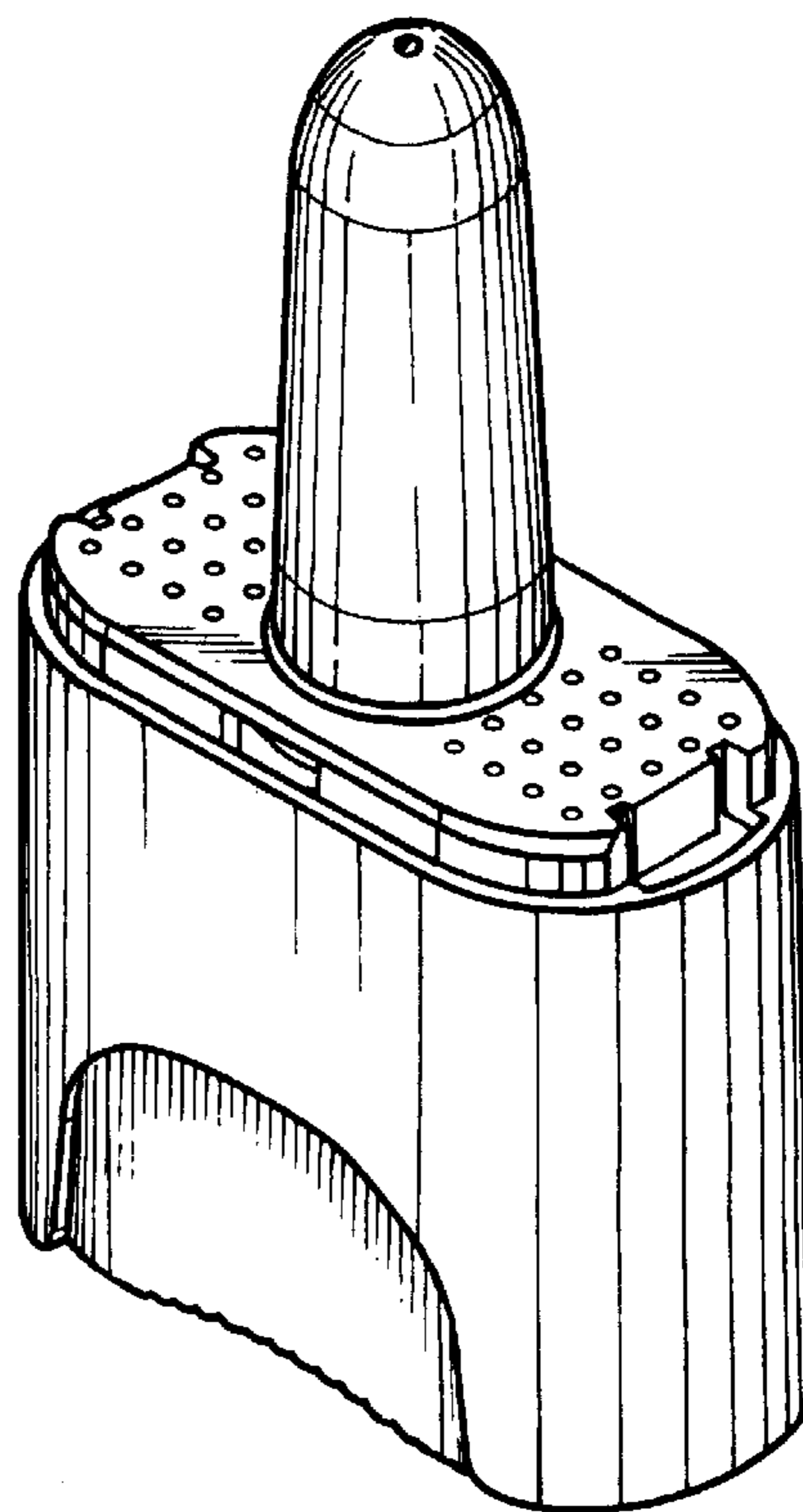


Fig. 6

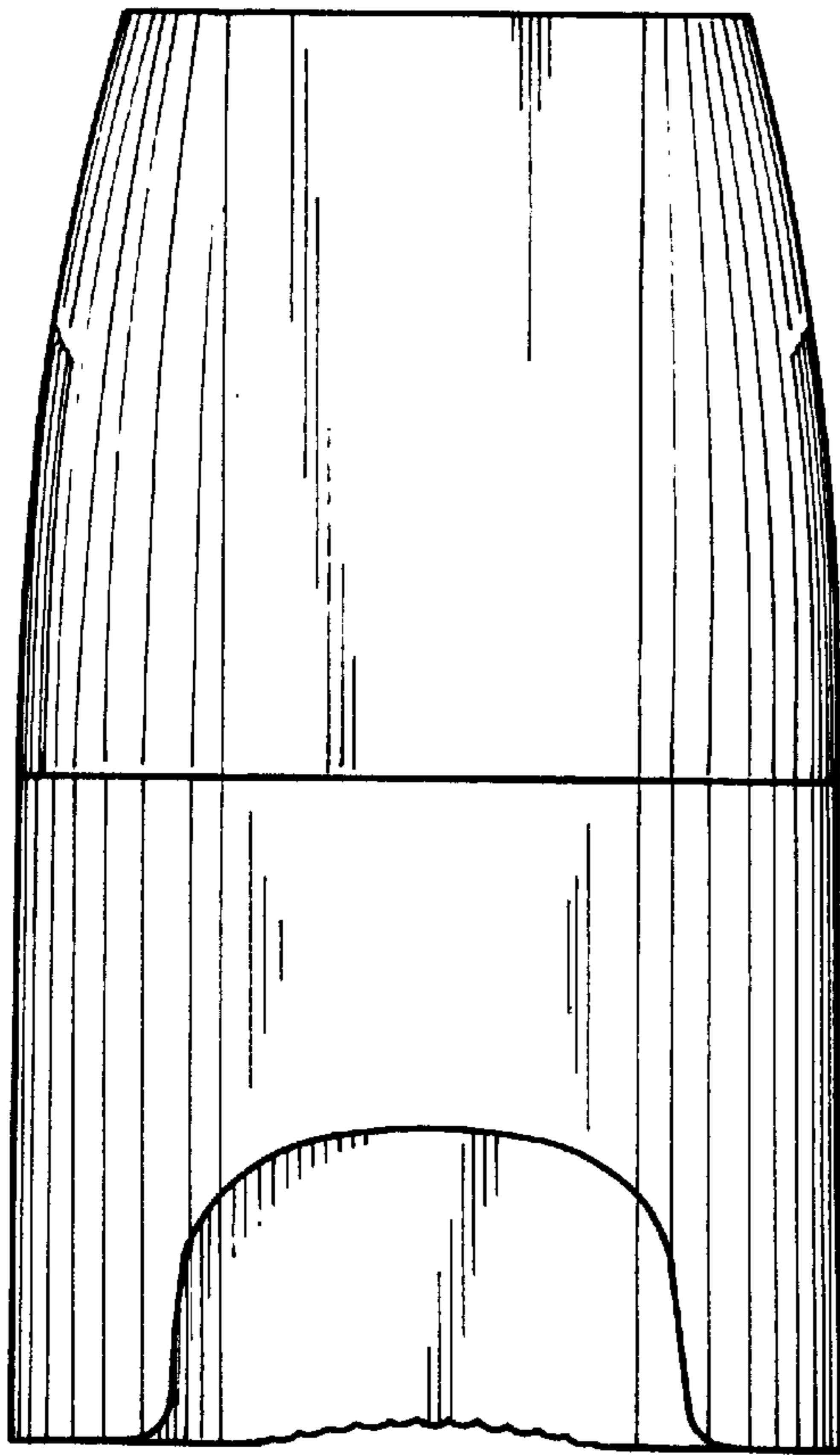


Fig. 7

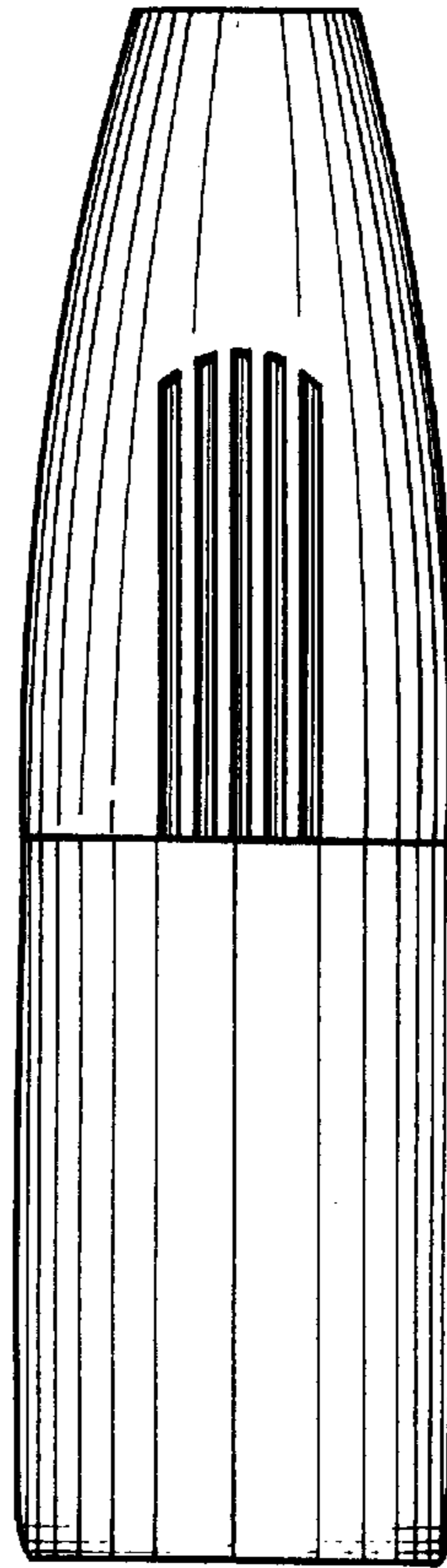


Fig. 8

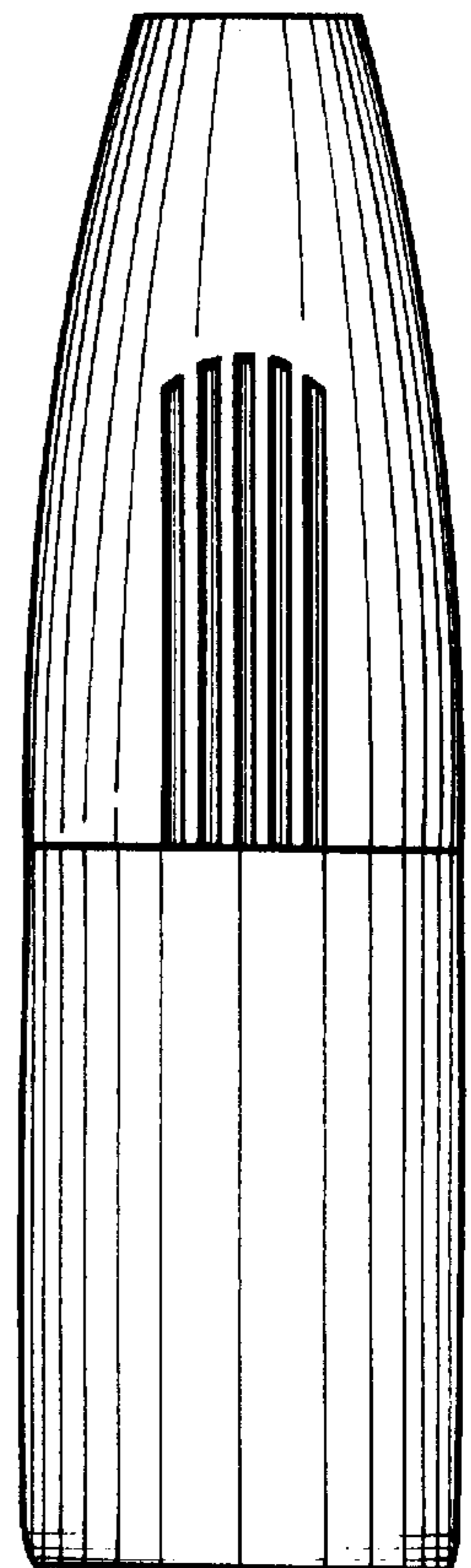


Fig. 9

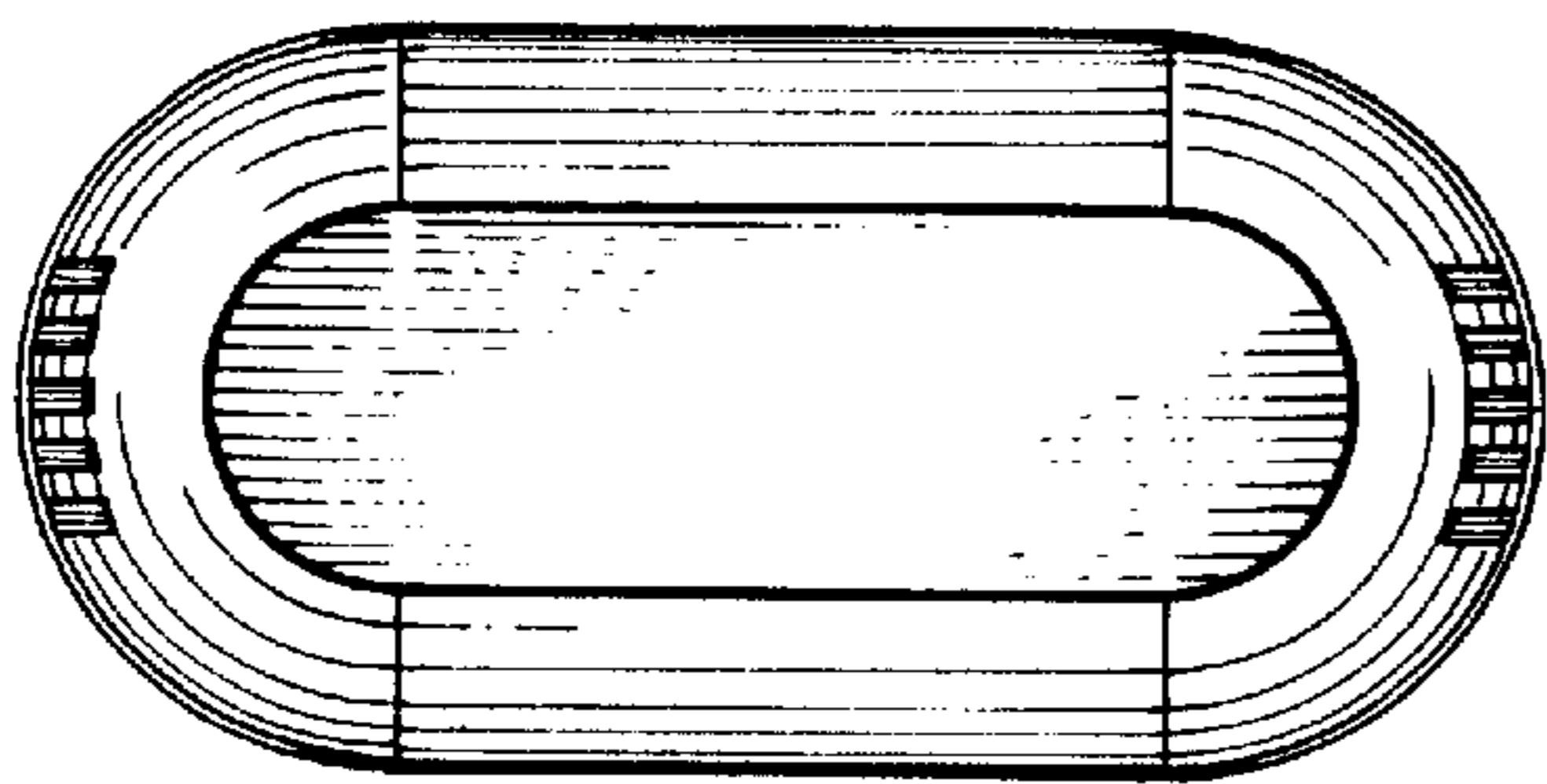


Fig. 10

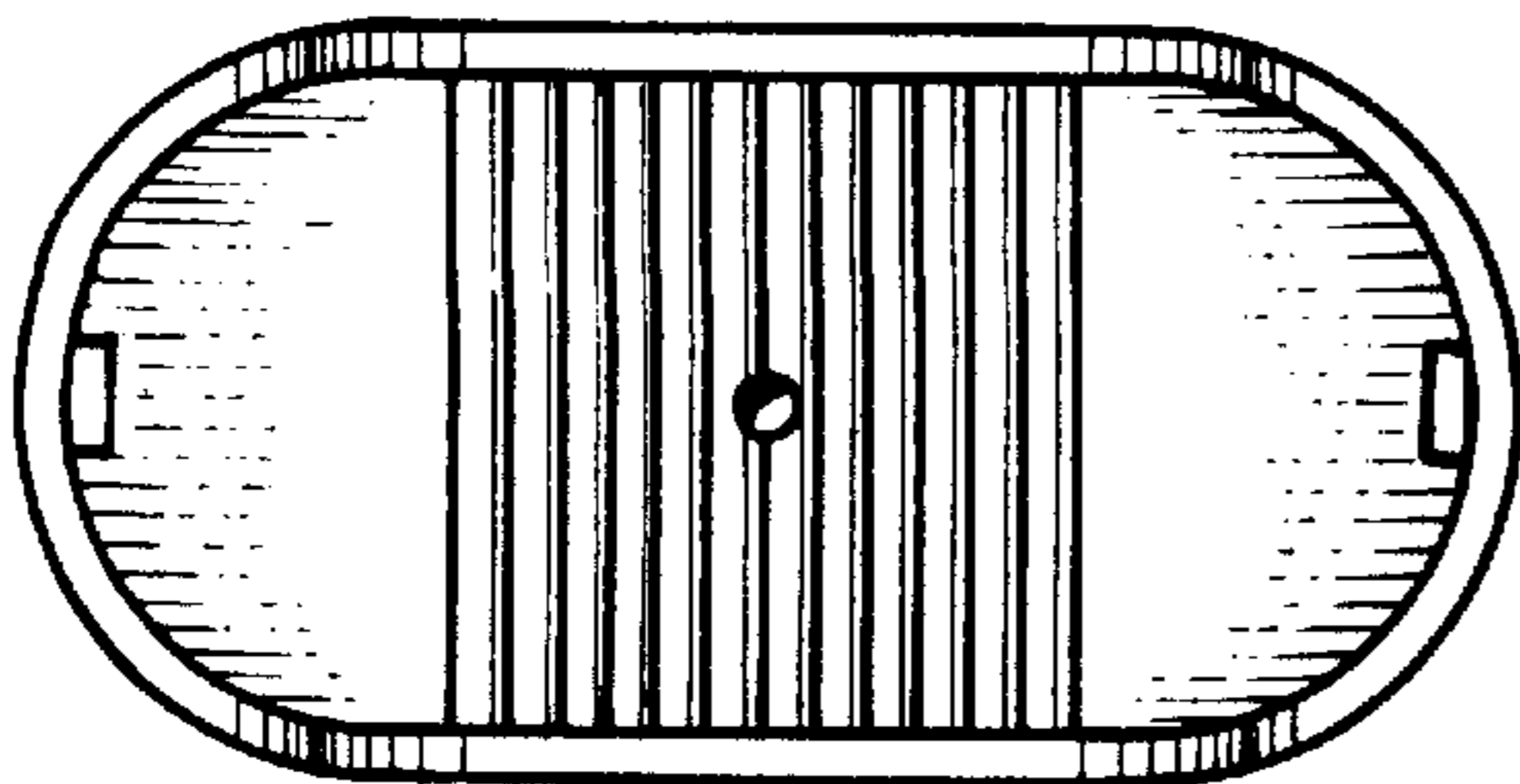


Fig. 11

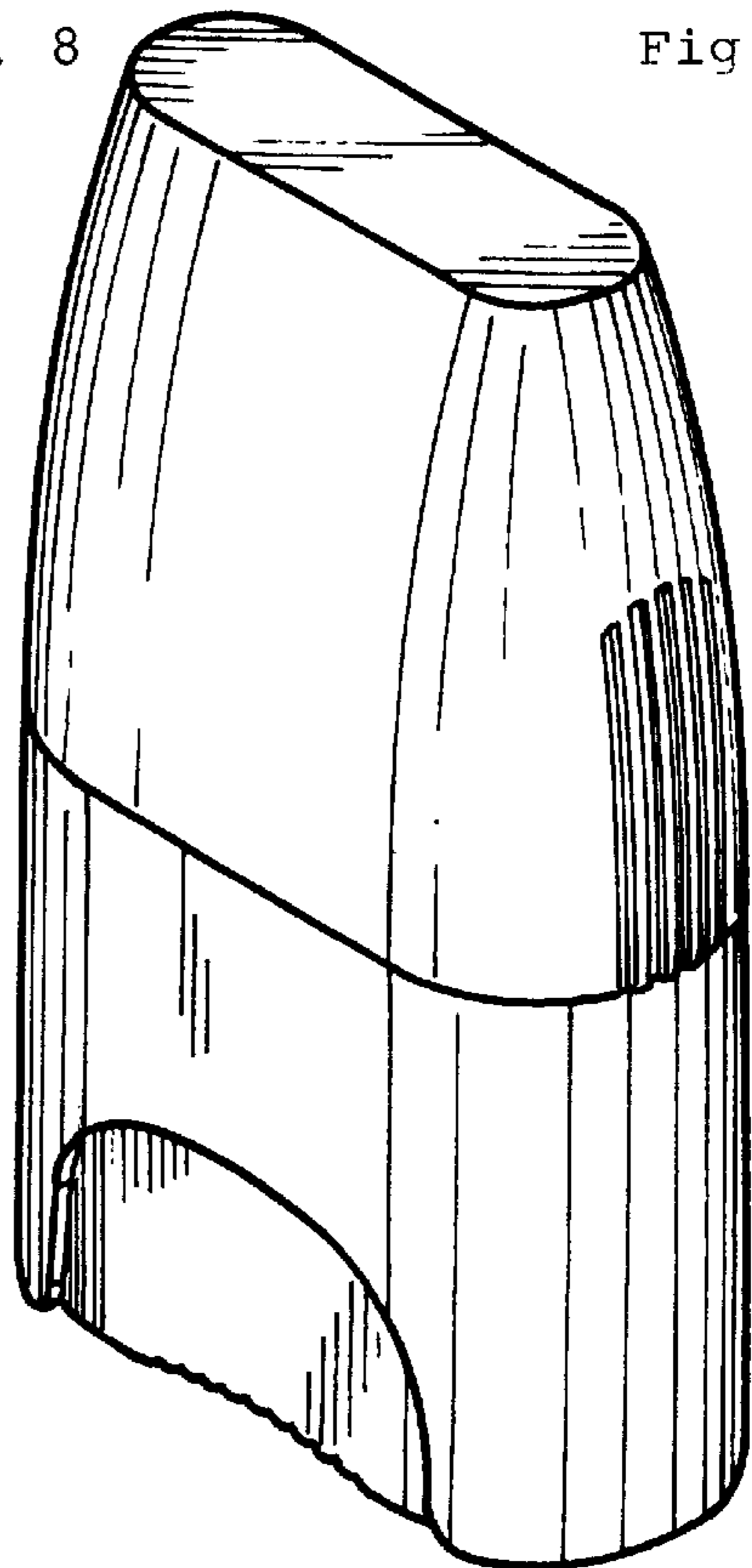


Fig. 12

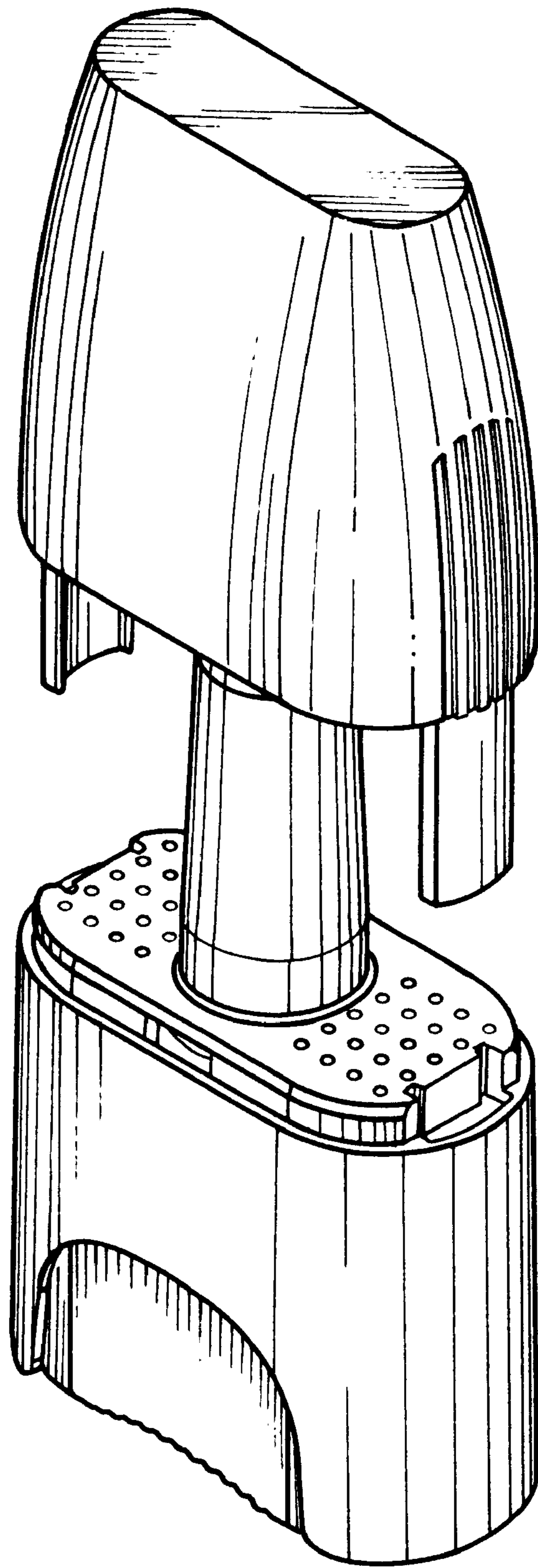


Fig. 13