



US00D414549S

# United States Patent [19]

Kawamura

[11] Patent Number: Des. 414,549

[45] Date of Patent: \*\* Sep. 28, 1999

[54] PEDESTAL-TYPE SINK

[75] Inventor: Sejiro Kawamura, Kita-Kyushu, Japan

[73] Assignee: Toto Ltd., Fukuoka, Japan

[\*\*] Term: 14 Years

[21] Appl. No.: 29/094,602

[22] Filed: Oct. 6, 1998

[51] LOC (6) Cl. .... 23-02

[52] U.S. Cl. .... D23/292

[58] Field of Search ..... D23/284-293.1;  
4/619, 624, 626, 638-650

[56] **References Cited**

U.S. PATENT DOCUMENTS

D. 325,626	4/1992	Ragonot	.....	D23/292
D. 386,249	11/1997	Garza	.....	D23/292
D. 387,419	12/1997	Garza	.....	D23/292
D. 389,563	1/1998	Kergoet	.....	D23/292
D. 394,494	5/1998	Garza	.....	D23/292
D. 396,271	7/1998	Garza	.....	D23/292

D. 403,057 12/1998 Van Marcke ..... D23/292

Primary Examiner—Louis S. Zarfes  
Assistant Examiner—Eric Watterson  
Attorney, Agent, or Firm—Ladas & Parry

[57] **CLAIM**

I claim the ornamental design for pedestal-type sink, as shown and described.

**DESCRIPTION**

FIG. 1 is a perspective view of a pedestal-type sink showing my new design;  
FIG. 2 is a front elevational view thereof;  
FIG. 3 is a right side elevational view, the opposite side being a mirror image thereof;  
FIG. 4 is a rear elevational view thereof;  
FIG. 5 is a top plan view thereof;  
FIG. 6 is a bottom plan view thereof;  
FIG. 7 is a cross-sectional view taken along line 7—7 in FIG. 5; and,  
FIG. 8 is a cross-sectional view taken along line 8—8 in FIG. 5.

1 Claim, 5 Drawing Sheets

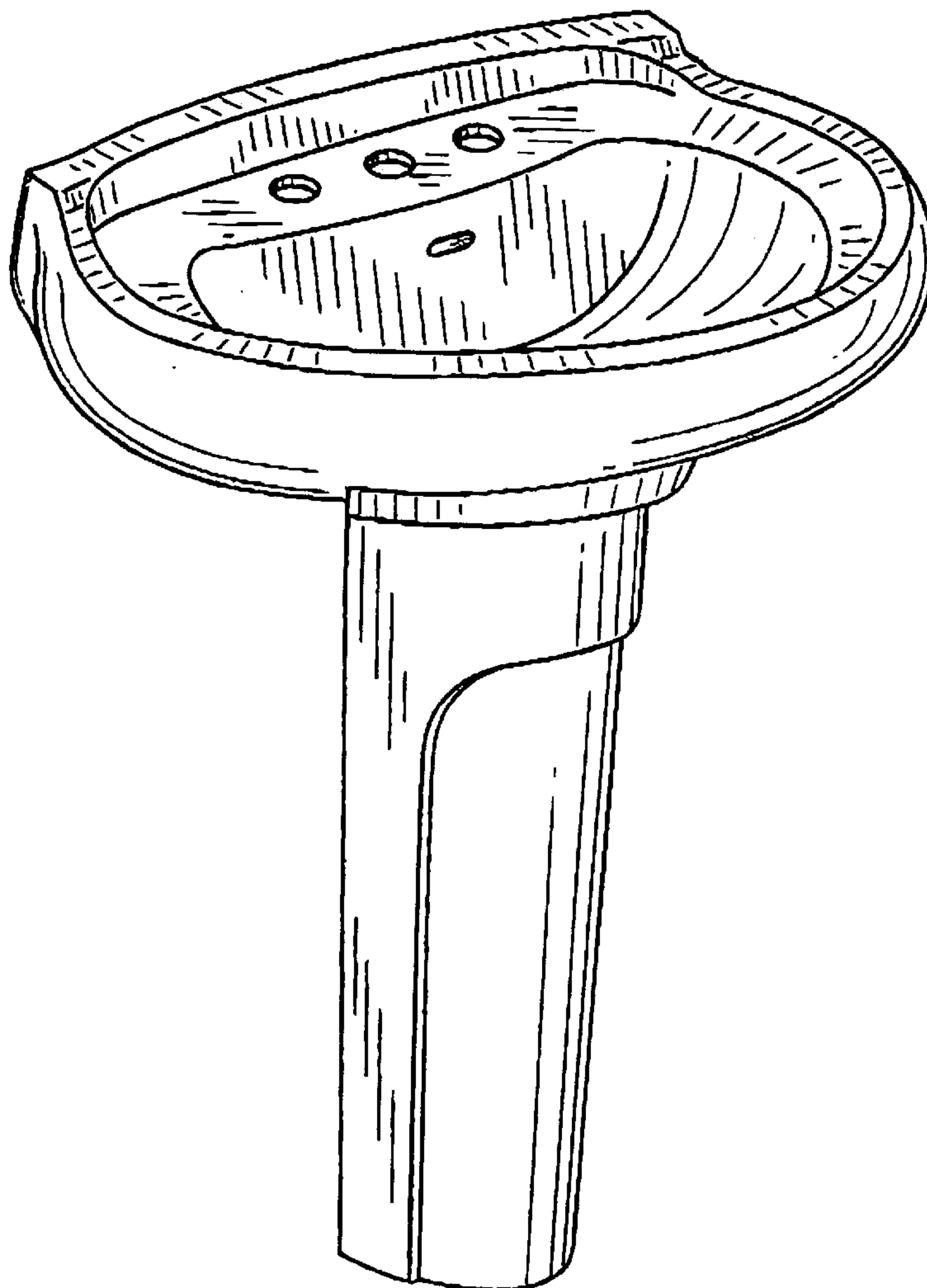
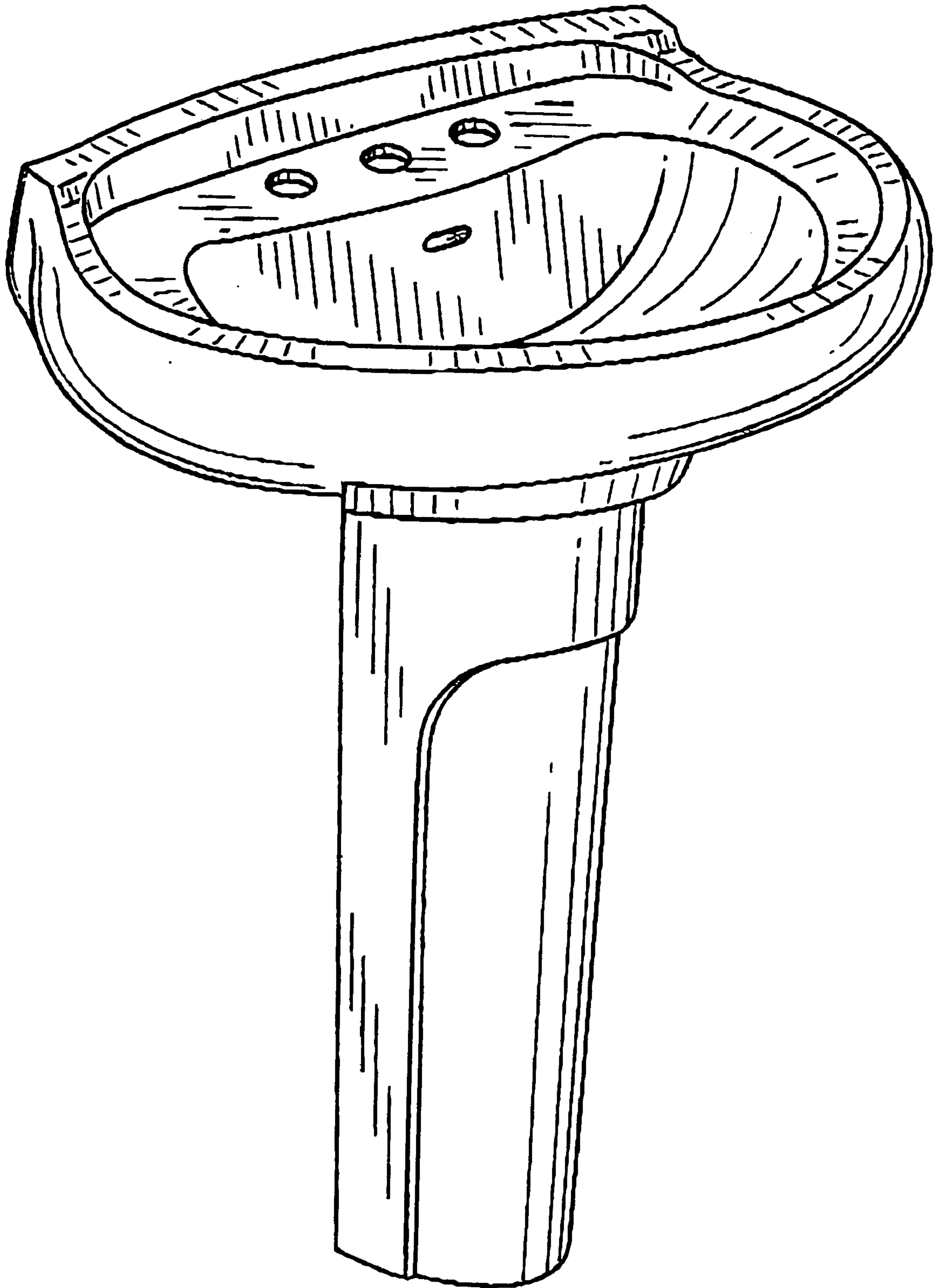


FIG. 1



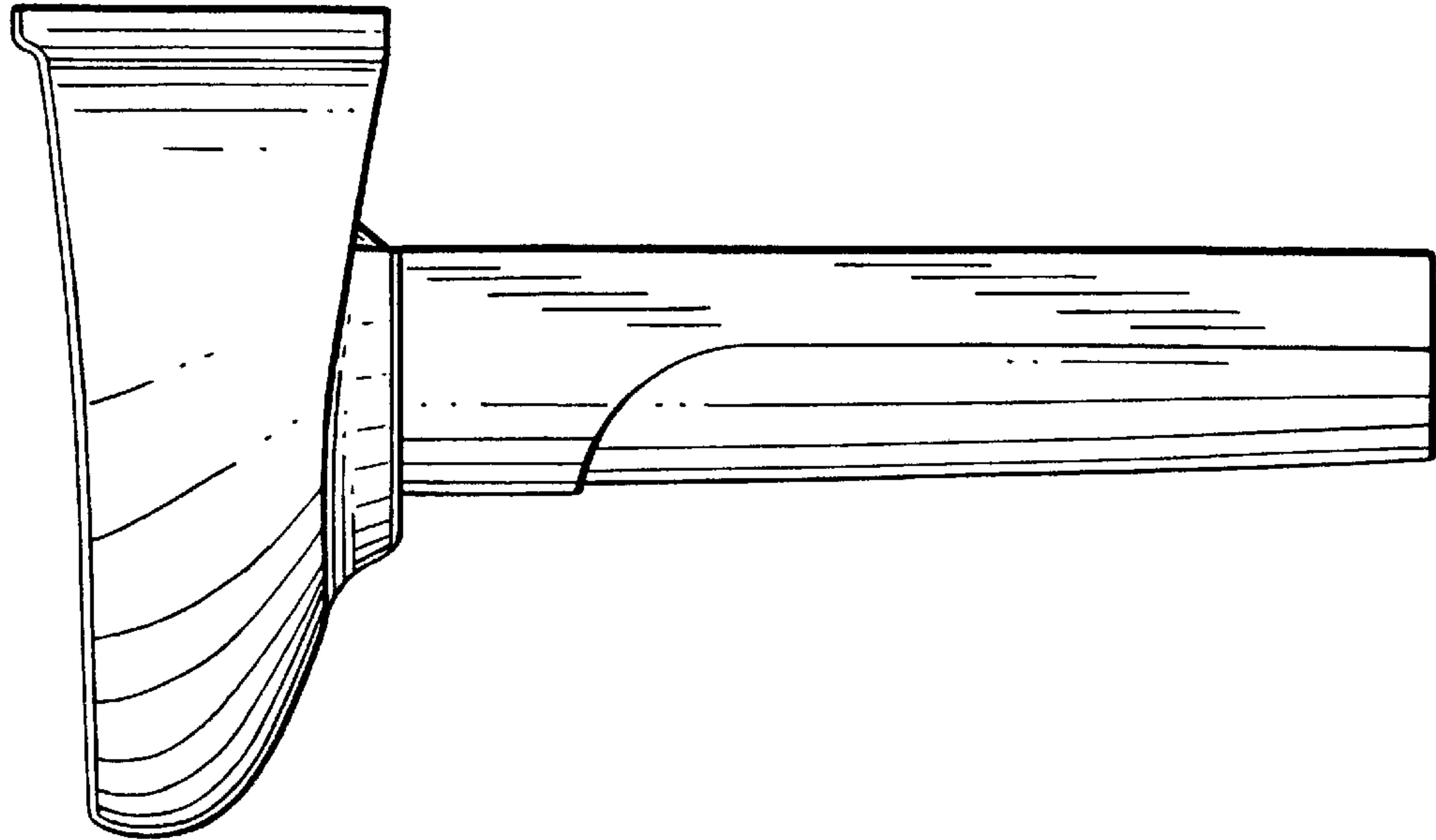


FIG. 3

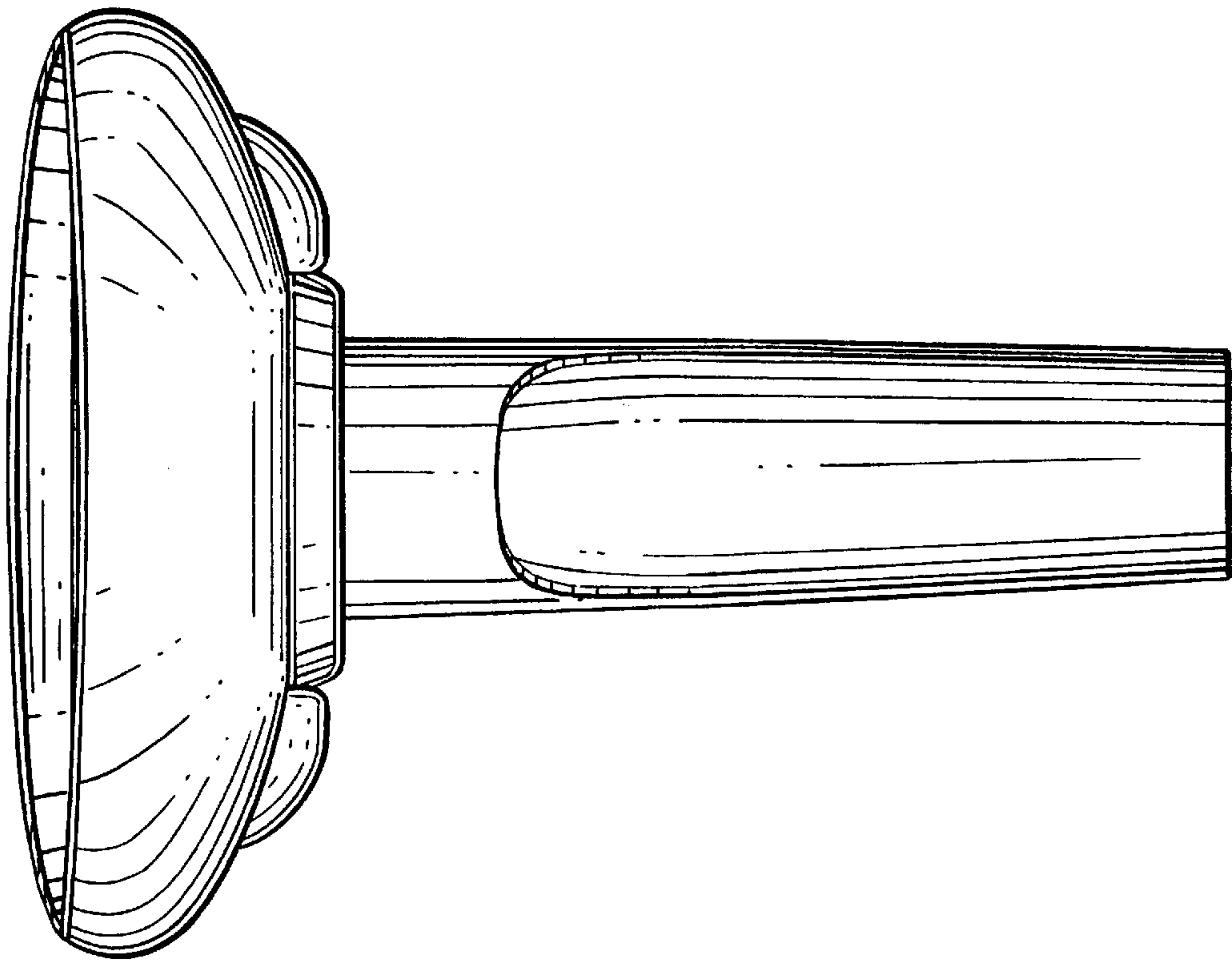


FIG. 2

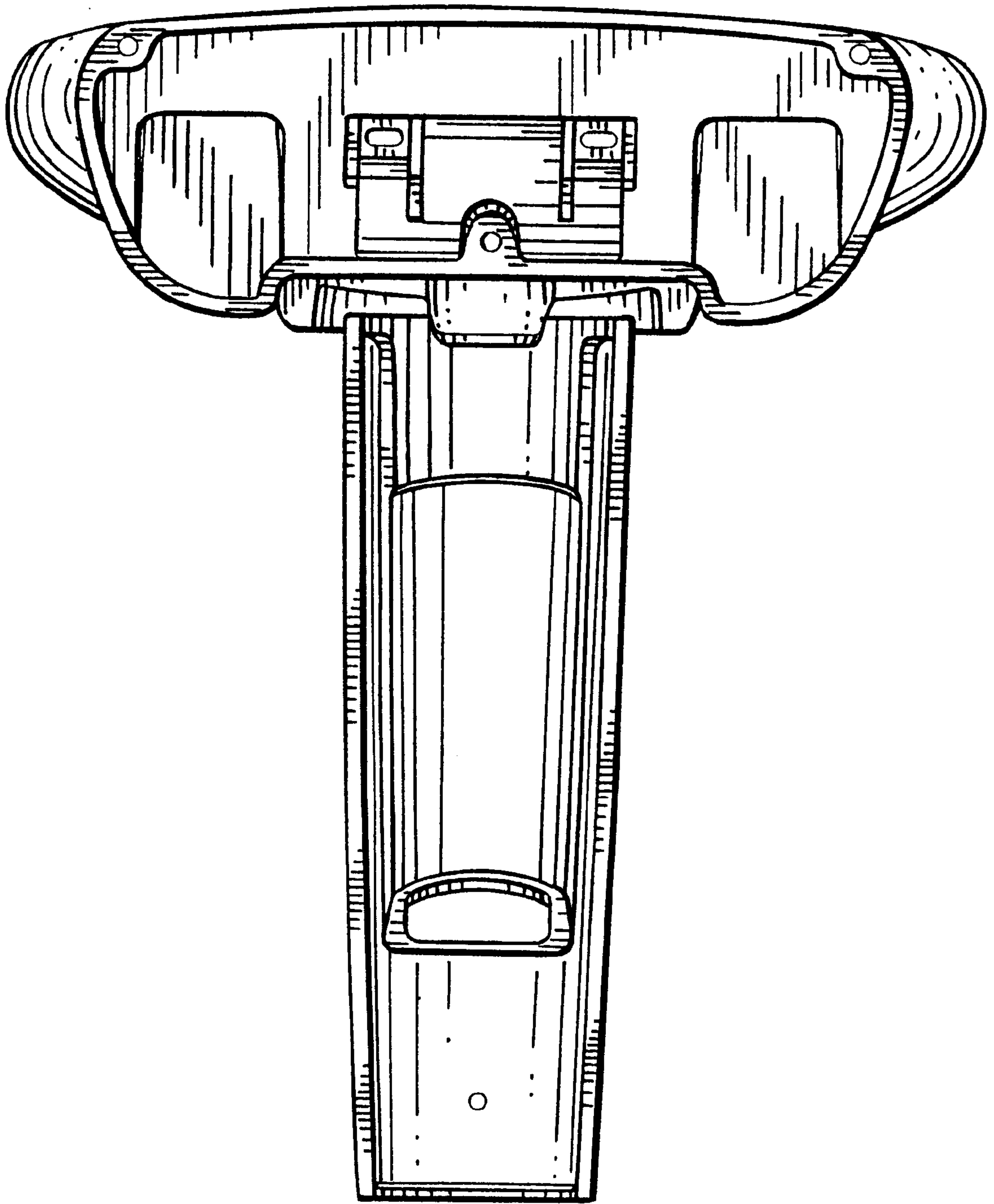


FIG. 4

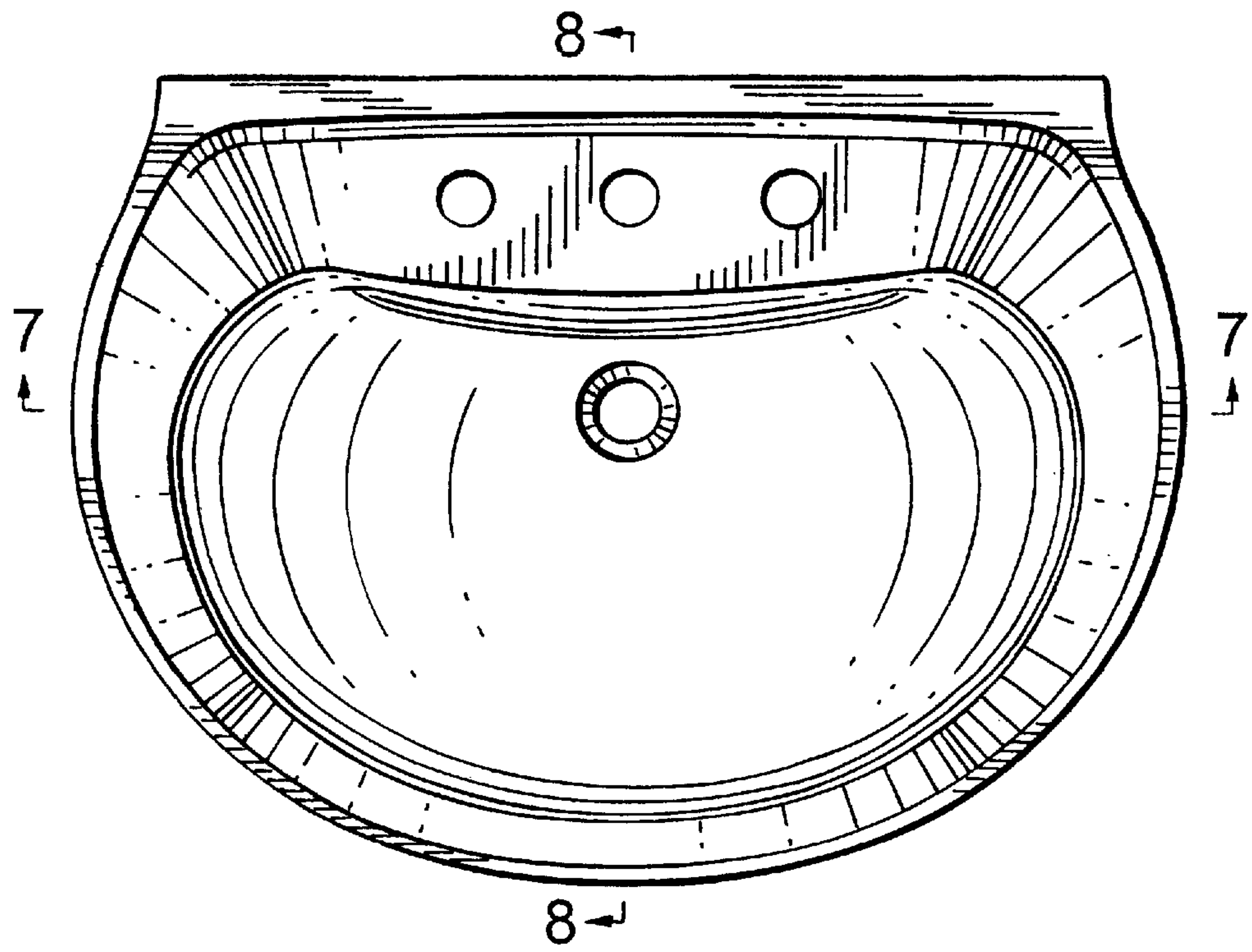


FIG. 5

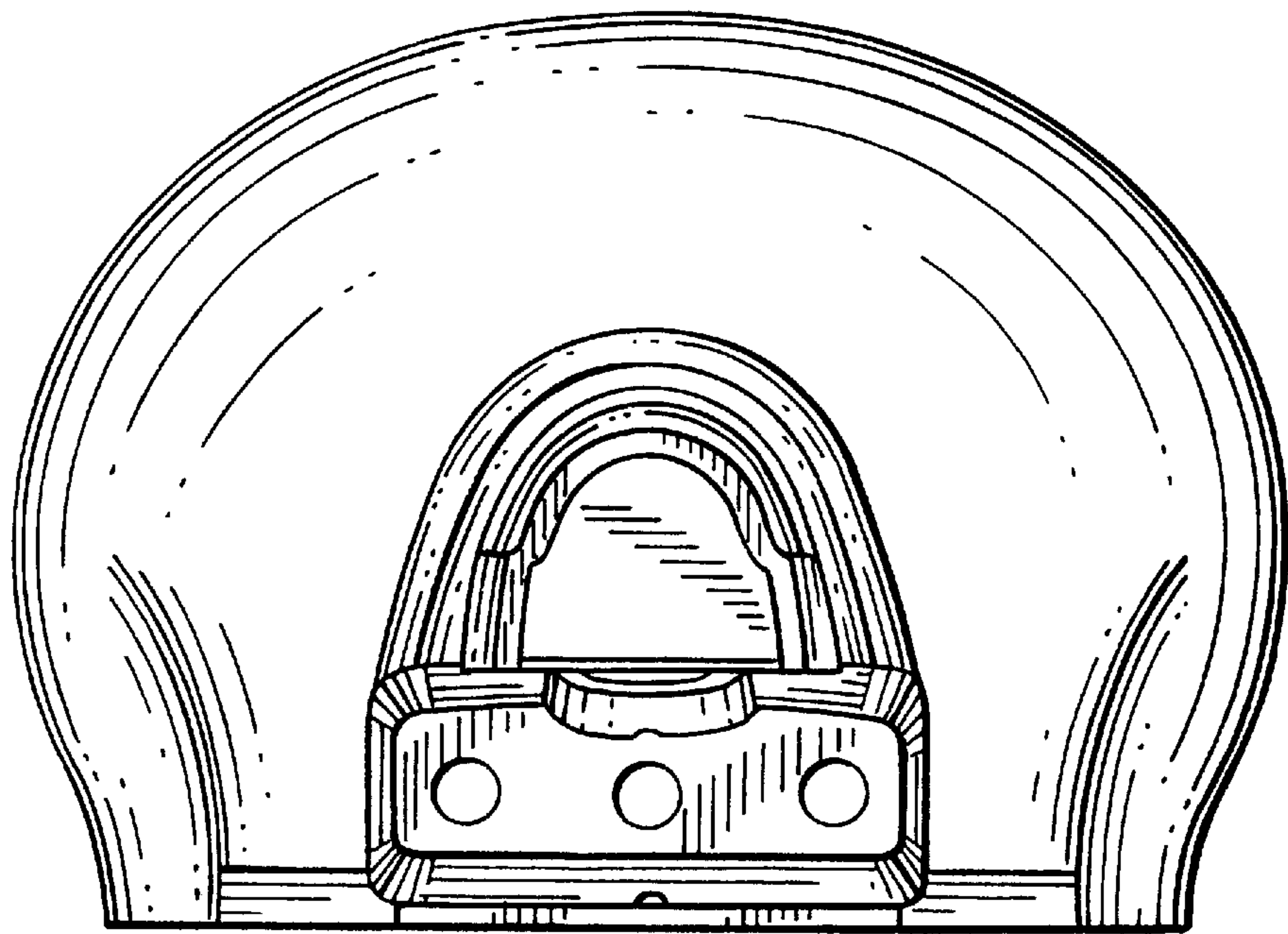


FIG. 6



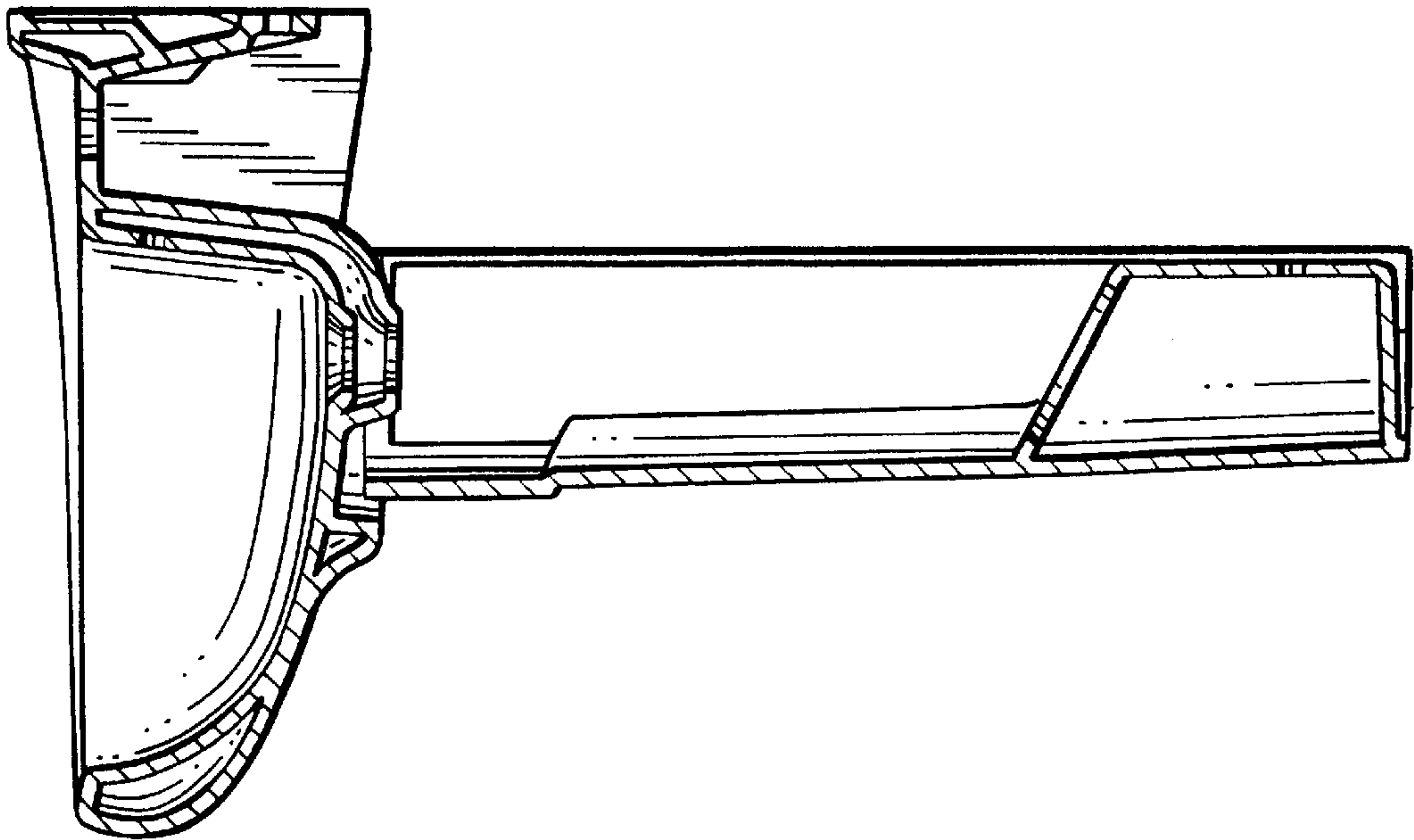


FIG. 8

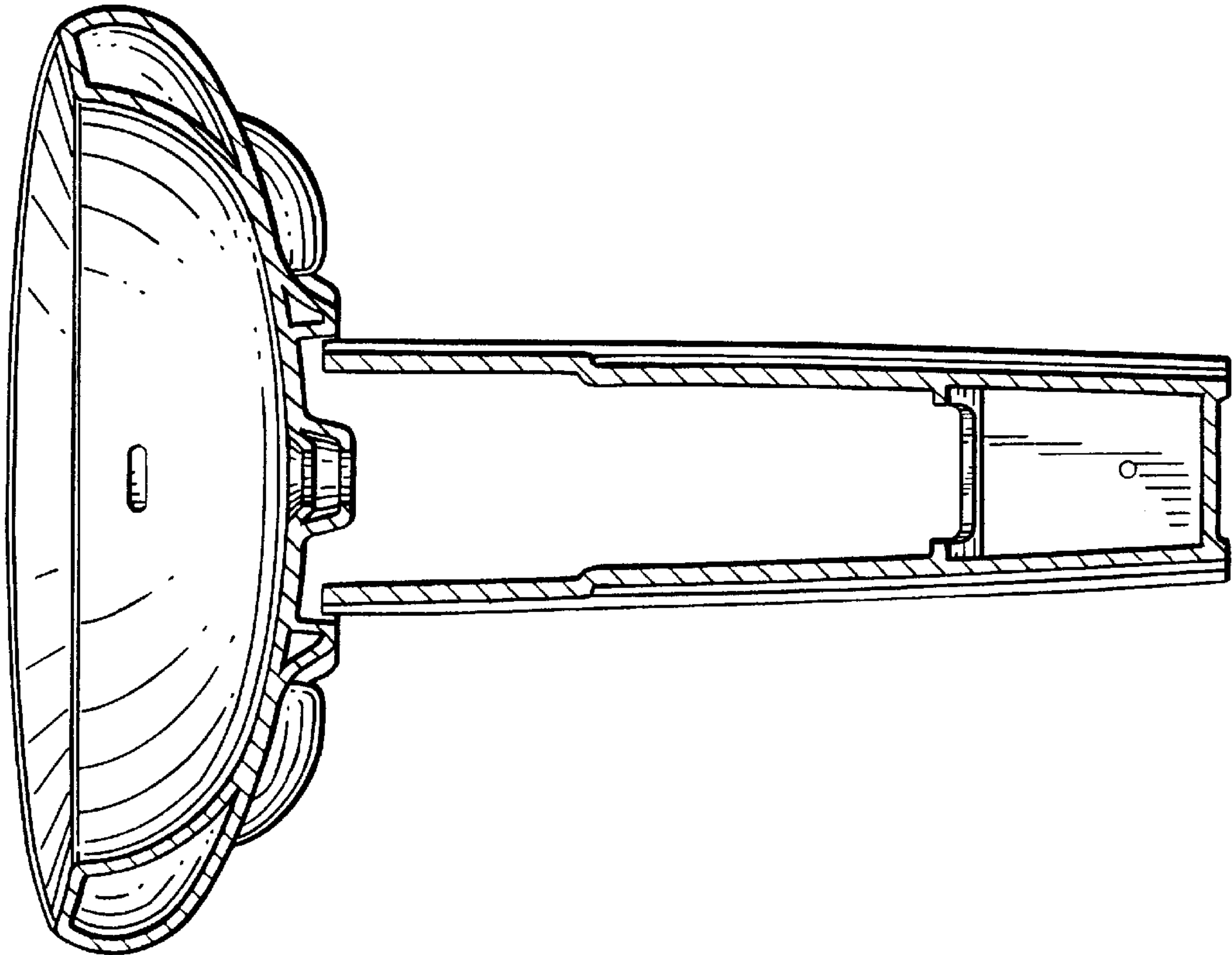


FIG. 7