



US00D414547S

United States Patent [19] Pitsch

[11] **Patent Number: Des. 414,547**

[45] **Date of Patent: ** Sep. 28, 1999**

[54] **FAUCET**

[75] **Inventor: Walter Pitsch, Franklin Park, N.J.**

[73] **Assignee: American Standard Inc., Piscataway, N.J.**

[**] **Term: 14 Years**

[21] **Appl. No.: 29/086,492**

[22] **Filed: Apr. 14, 1998**

[51] **LOC (6) Cl. 23-01**

[52] **U.S. Cl. D23/243**

[58] **Field of Search D23/238-243,
D23/250-257; 4/675-678; 137/801**

[56] **References Cited**

U.S. PATENT DOCUMENTS

- D. 235,546 6/1975 Landell D23/241
- D. 293,362 12/1987 Hill et al. D23/241
- D. 296,461 6/1988 Yost D23/241

- D. 362,489 9/1995 Moon D23/252
- D. 380,252 6/1997 Abel D23/241
- D. 381,404 7/1997 Doughty et al. D23/241
- D. 387,416 12/1997 Chin D23/241

Primary Examiner—Louis S. Zarfes

Assistant Examiner—Eric Watterson

[57] **CLAIM**

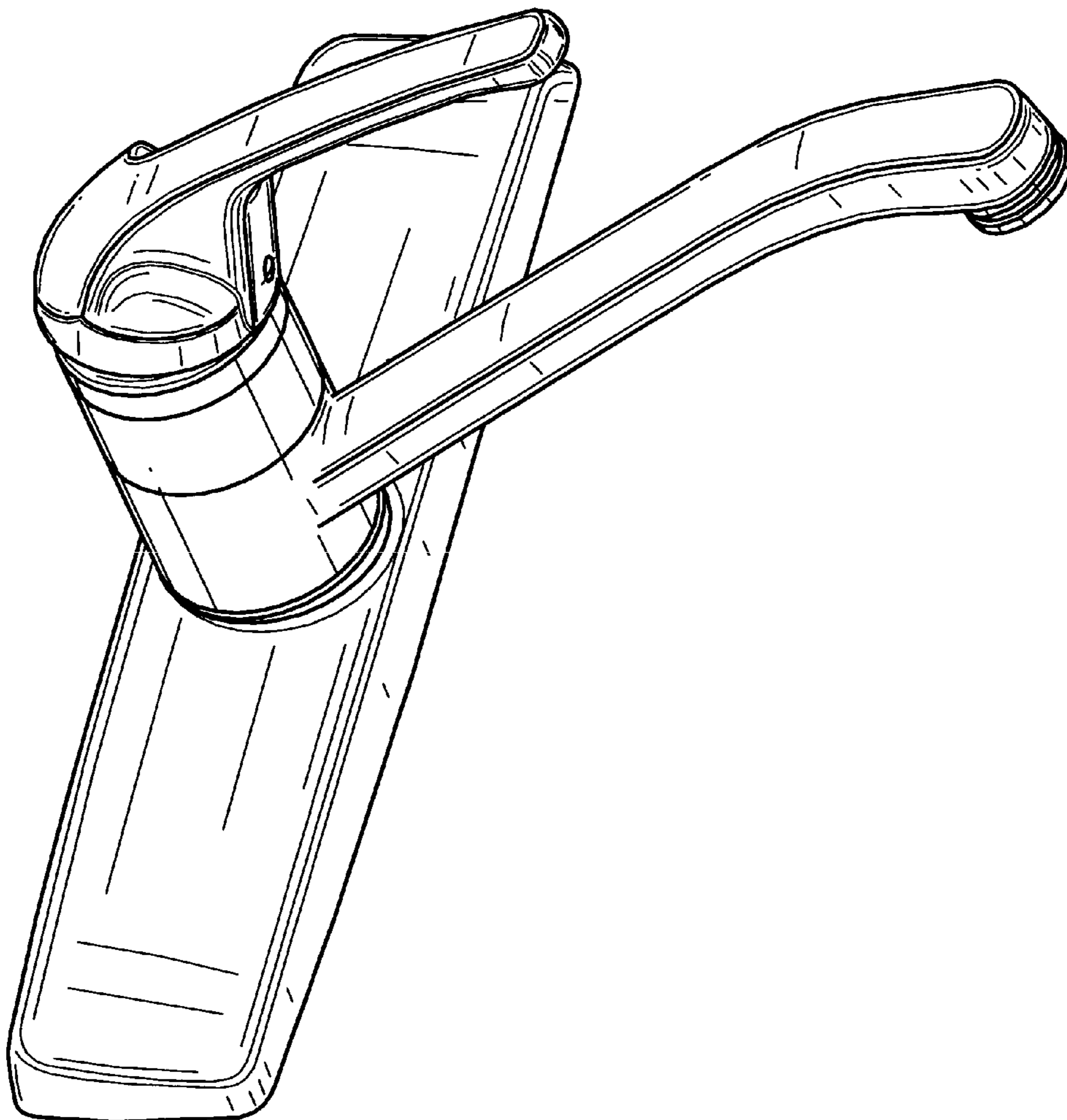
The ornamental design for a faucet, as shown and described.

DESCRIPTION

FIG. 1 is a top, front, and left side perspective view of a faucet showing my new design;
 FIG. 2 is a front elevational view thereof;
 FIG. 3 is rear elevational view thereof;
 FIG. 4 is a top plan view thereof;
 FIG. 5 is a bottom plan view thereof; and,
 FIG. 6 is a left side elevational view thereof.

The broken line showing is for illustrative purposes only and forms no part of the claimed design.

1 Claim, 6 Drawing Sheets



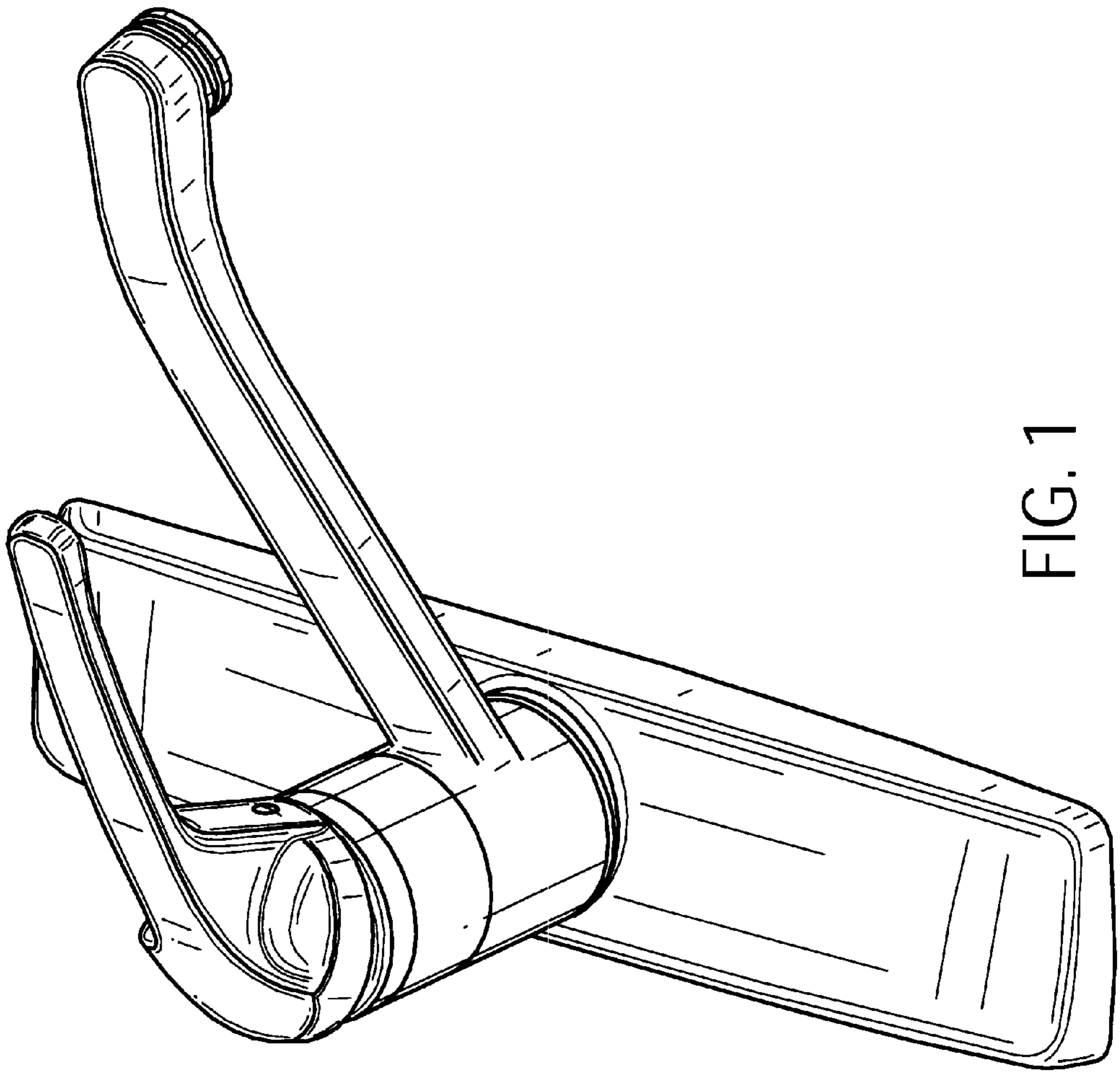


FIG. 1

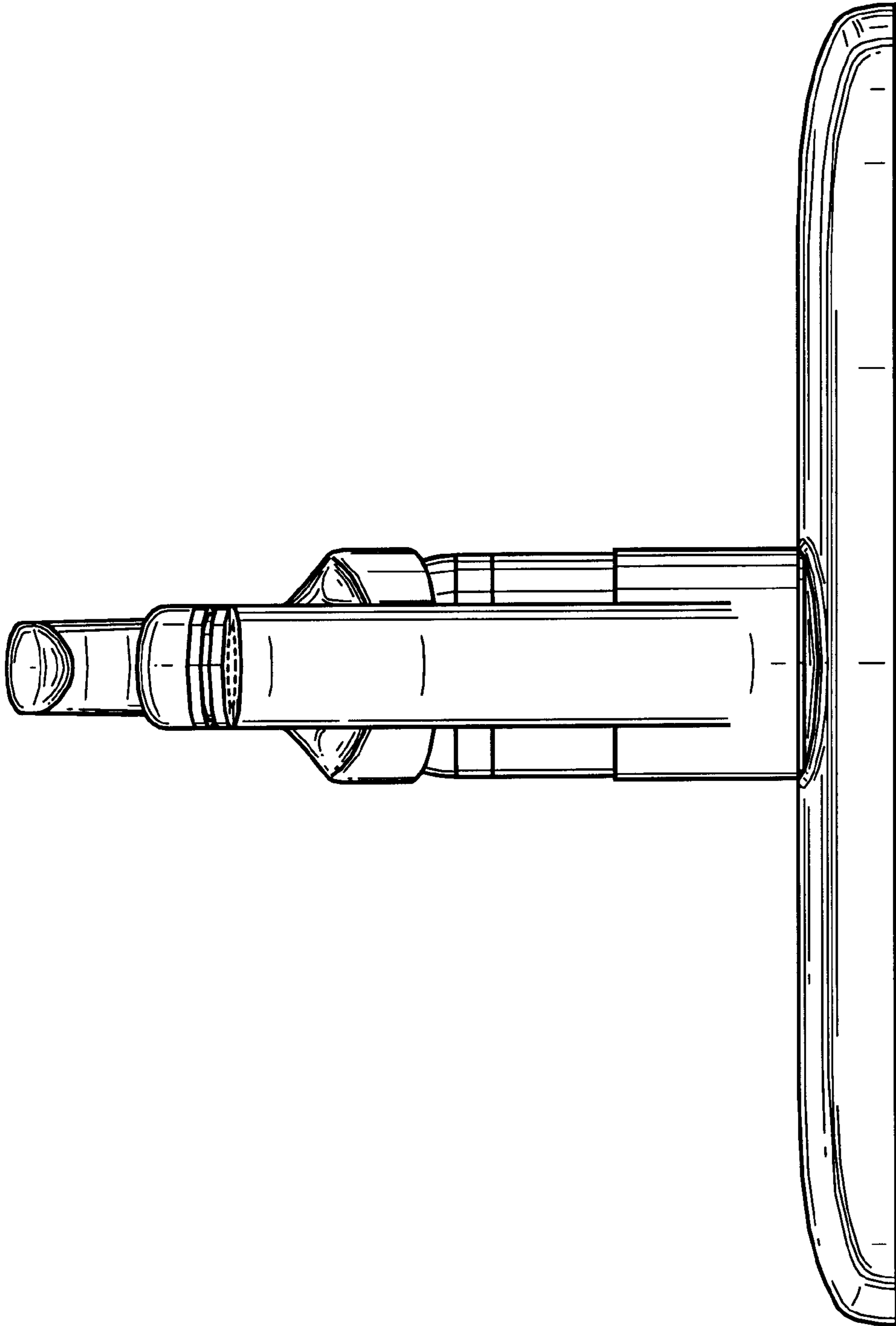


FIG. 2

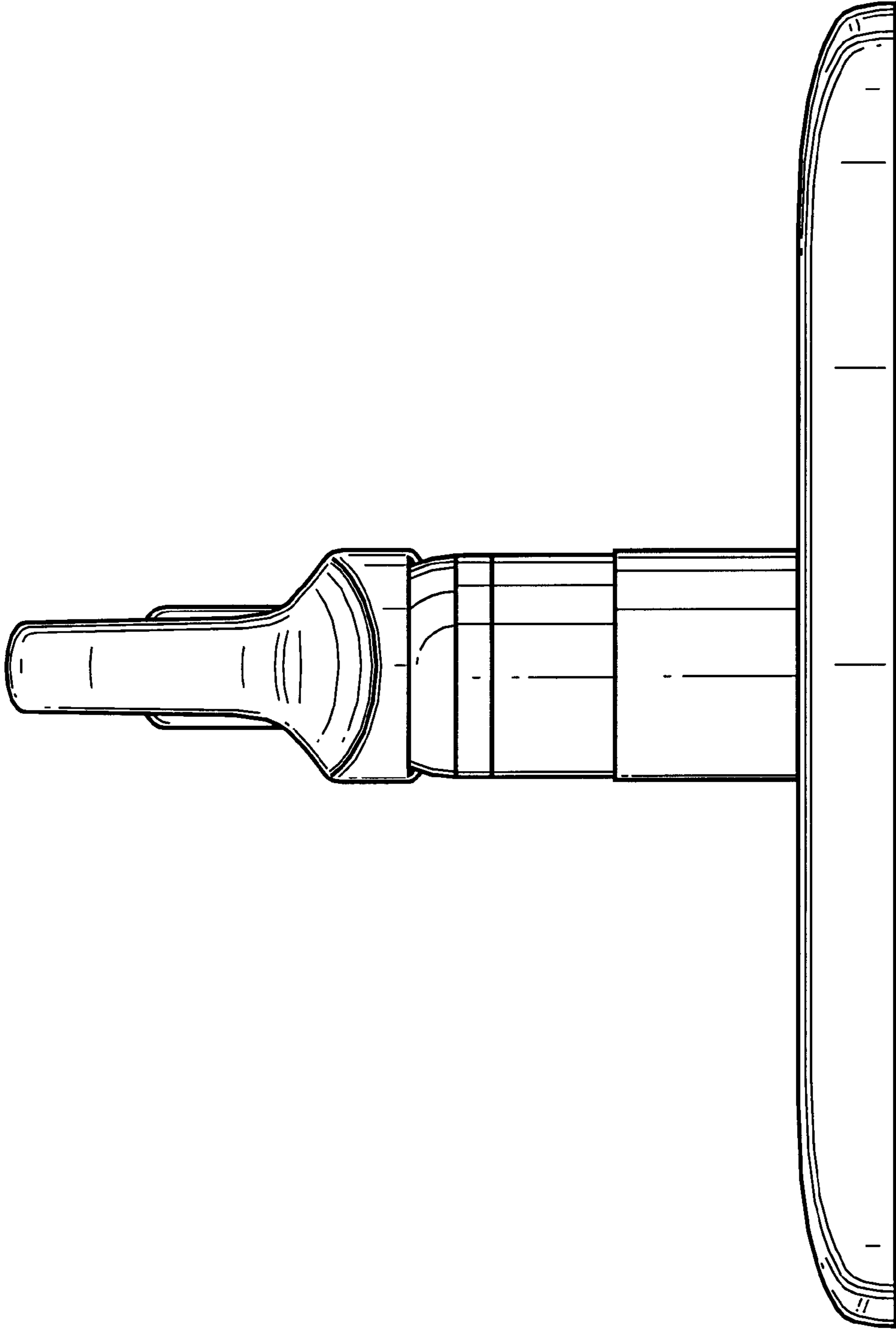


FIG. 3

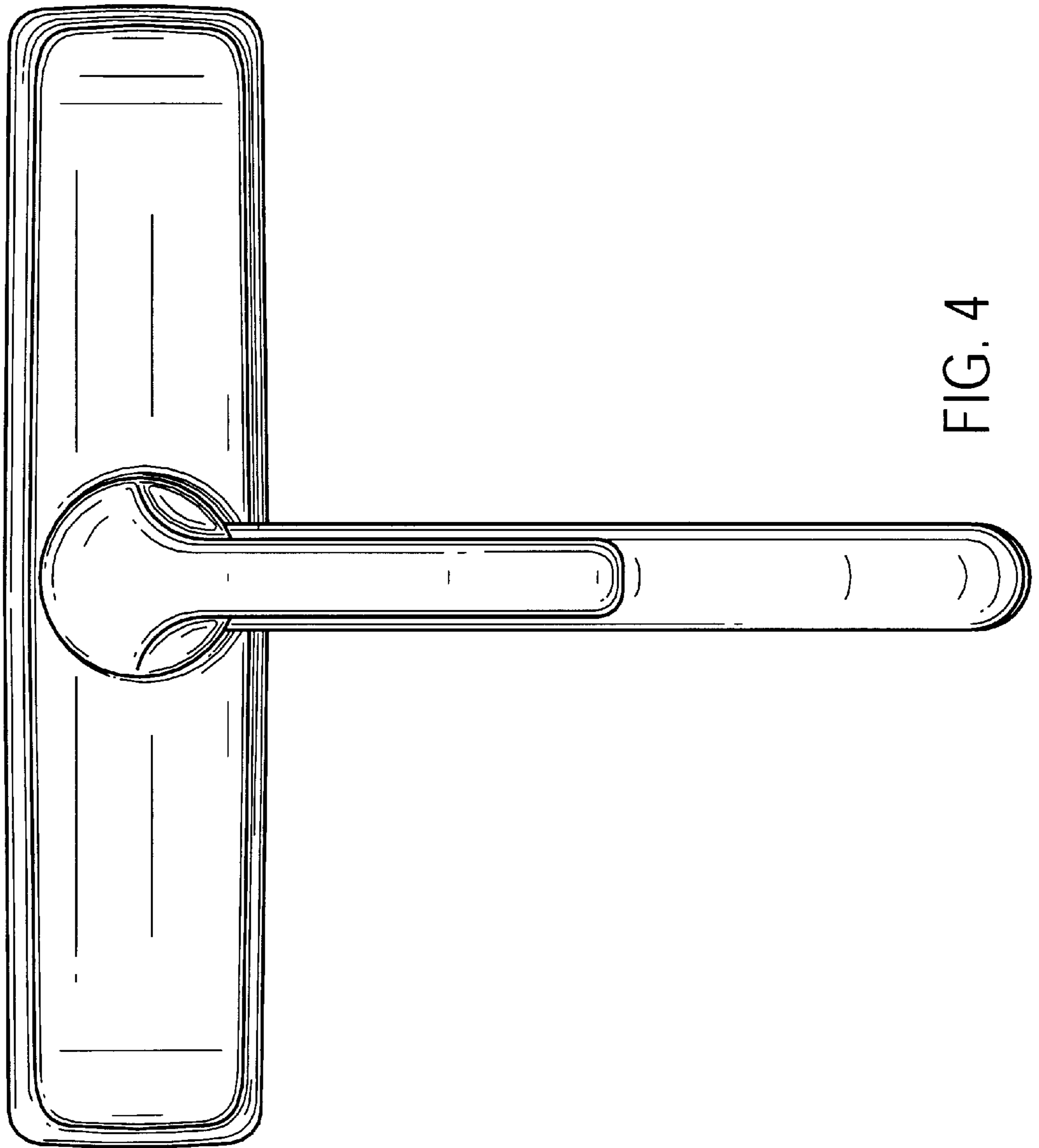


FIG. 4

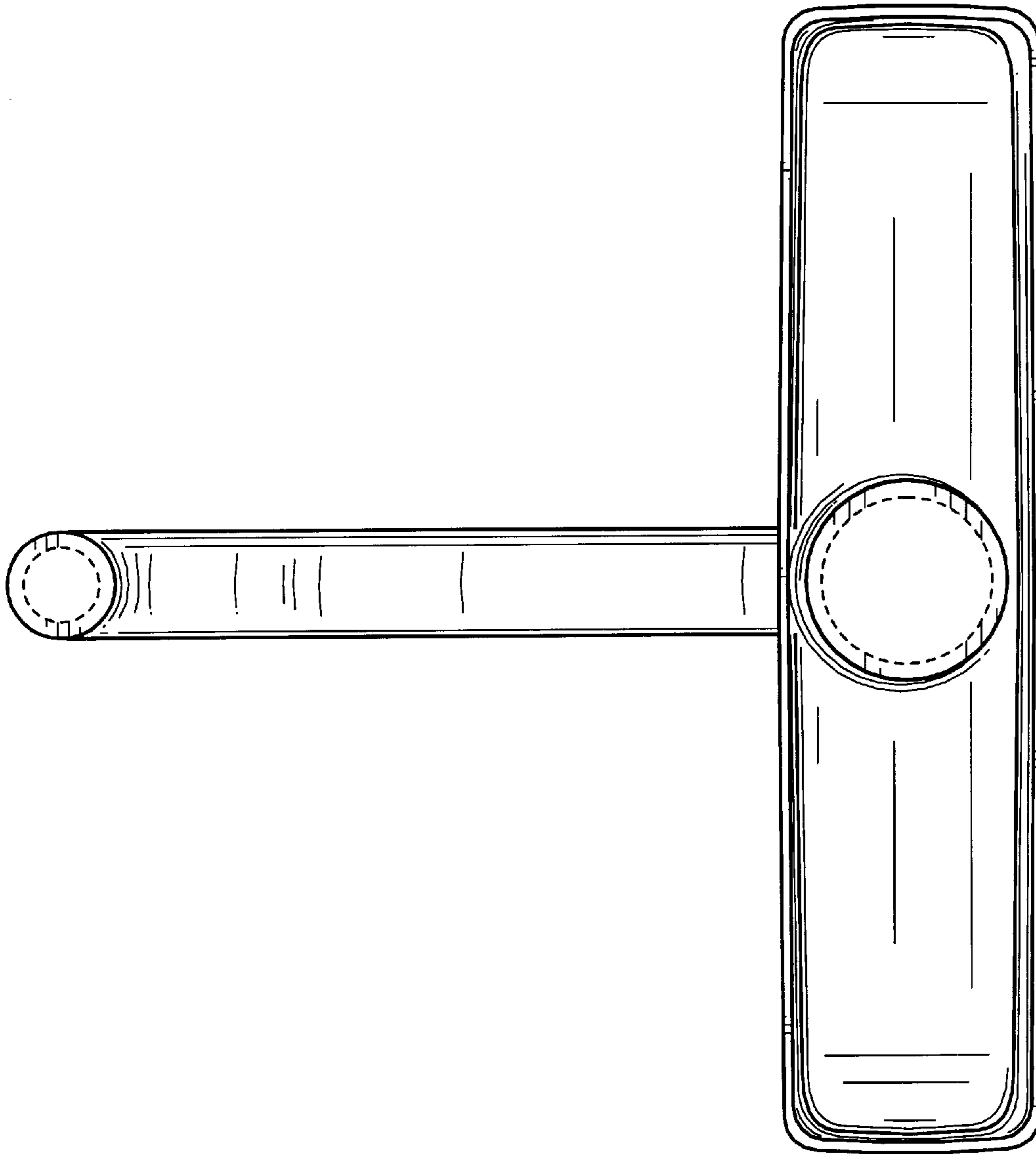


FIG. 5

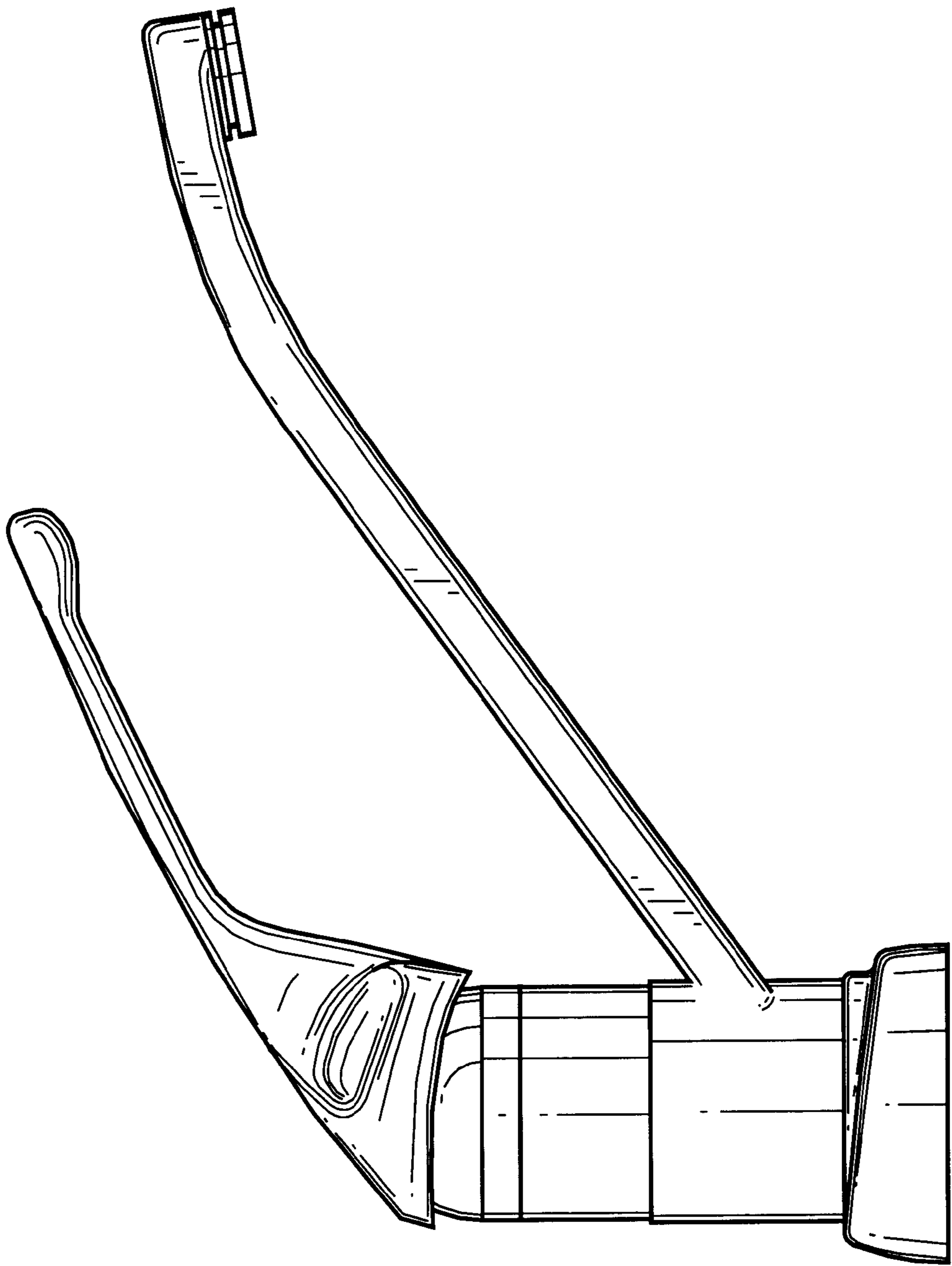


FIG. 6