



US00D414541S

United States Patent [19]
Loveless

[11] **Patent Number: Des. 414,541**

[45] **Date of Patent: ** Sep. 28, 1999**

[54] **HUNTING KNIFE**

[76] Inventor: **Robert W. Loveless**, P.O. Box 7836,
Riverside, Calif. 92503

[**] Term: **14 Years**

[21] Appl. No.: **29/086,031**

[22] Filed: **Apr. 3, 1998**

[51] **LOC (6) Cl.** **22-02**

[52] **U.S. Cl.** **D22/118**

[58] **Field of Search** D22/118; D7/649;
D8/99, 98; 30/340, 295, 314, 317, 298,
287, 294

[56] **References Cited**

U.S. PATENT DOCUMENTS

D. 230,696	3/1974	Evrell	D22/118
D. 267,104	11/1982	Loveless	D22/118
D. 368,951	4/1996	Buck et al.	D22/118
D. 373,296	9/1996	Thompson	D8/99
D. 392,538	3/1998	Buck et al.	D8/99

OTHER PUBLICATIONS

- A. G. Russell, Fall 1995, p. 39 Slim Outdoorsman Knife.
- A. G. Russell, Fall, 1995 p. 45 Loveless Knives.
- Knives Illustrated, Aug. 1995, p. 73 Gaston Knife.

Knives Illustrated, Summer 1994, p. 60. Eldik Hunting Knives.

Primary Examiner—Louis S Zarfaz
Assistant Examiner—Inga-Maria Hyttinen

[57] **CLAIM**

The ornamental design for a hunting knife, as shown and described.

DESCRIPTION

FIG. 1 is a top, right side perspective view of a hunting knife showing my new design;

FIG. 2 is a front elevational view thereof;

FIG. 3 is a rear elevational view thereof;

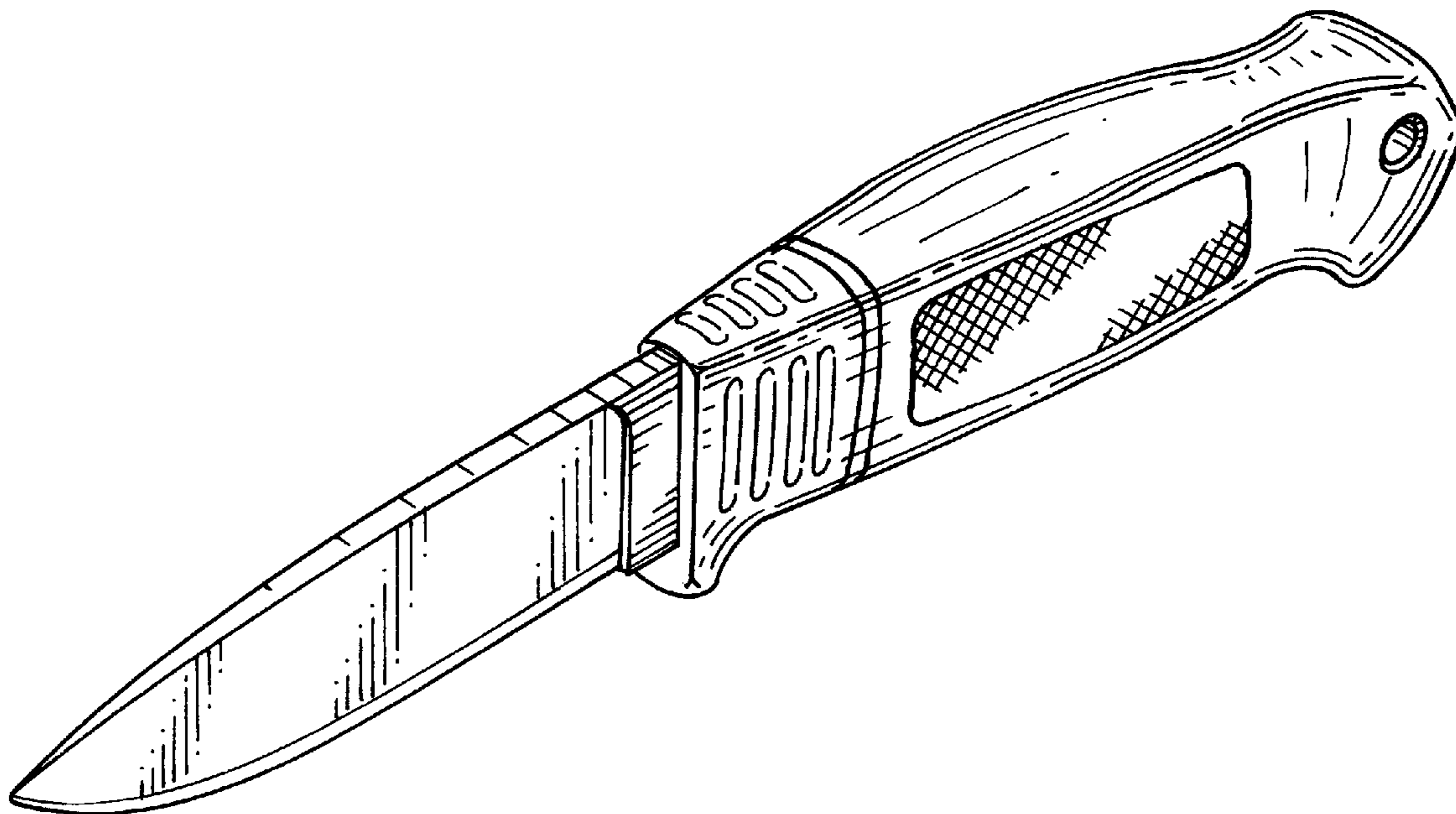
FIG. 4 is a right side elevational view thereof, which is identical to the left side elevational view;

FIG. 5 is a top plan view thereof; and,

FIG. 6 is a bottom plan view thereof.

The fragmentary criss-cross pattern shown in FIGS. 1 and 4 is understood to be repeated uniformly throughout the rectangular area shown.

1 Claim, 1 Drawing Sheet



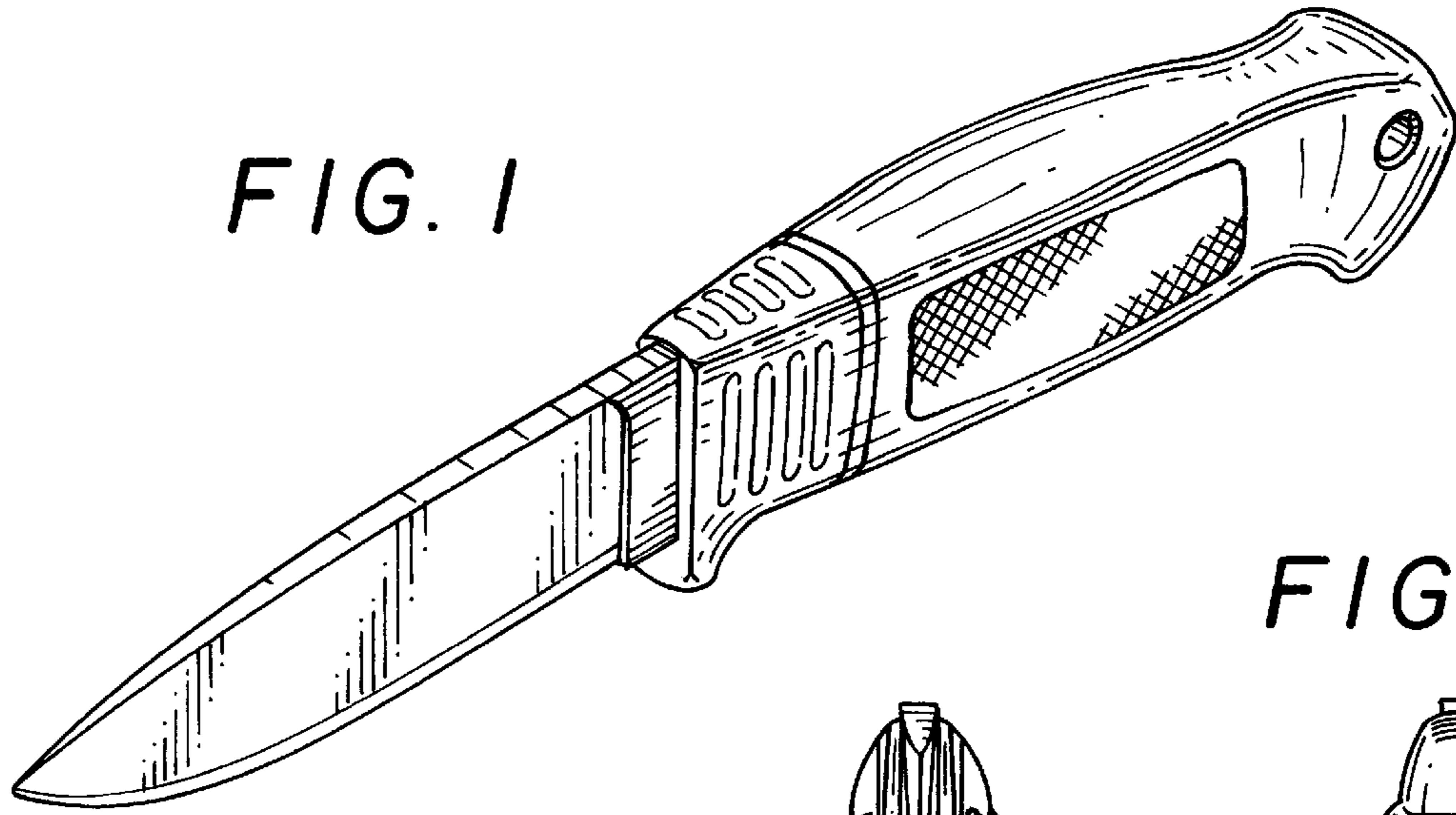


FIG. 1

FIG. 3

FIG. 2

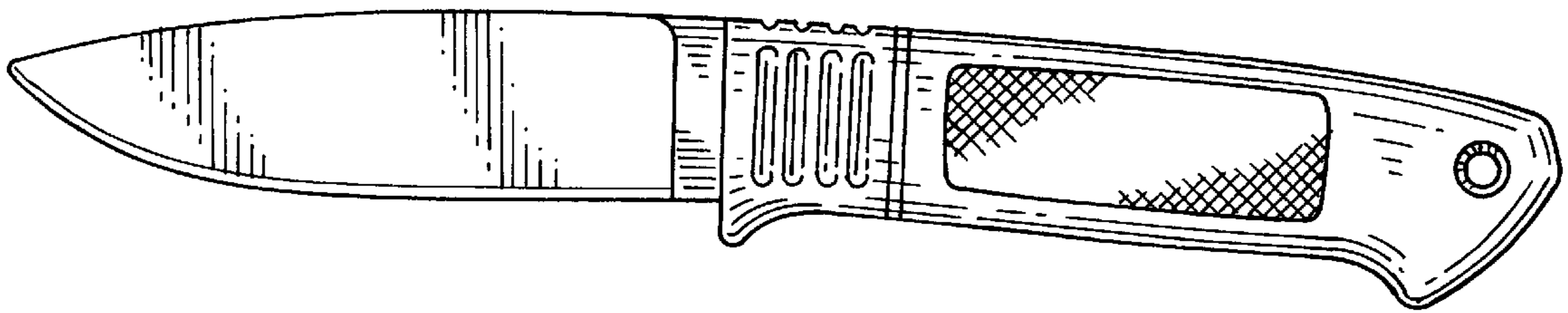
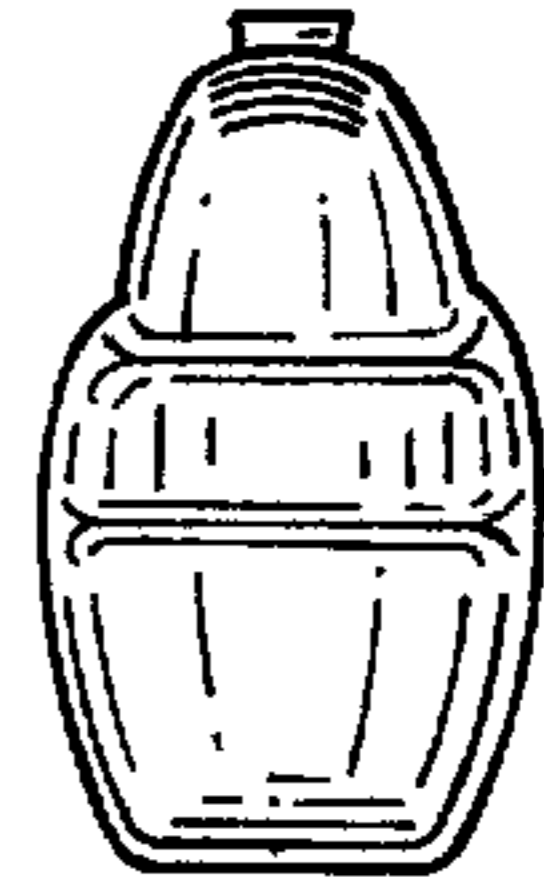
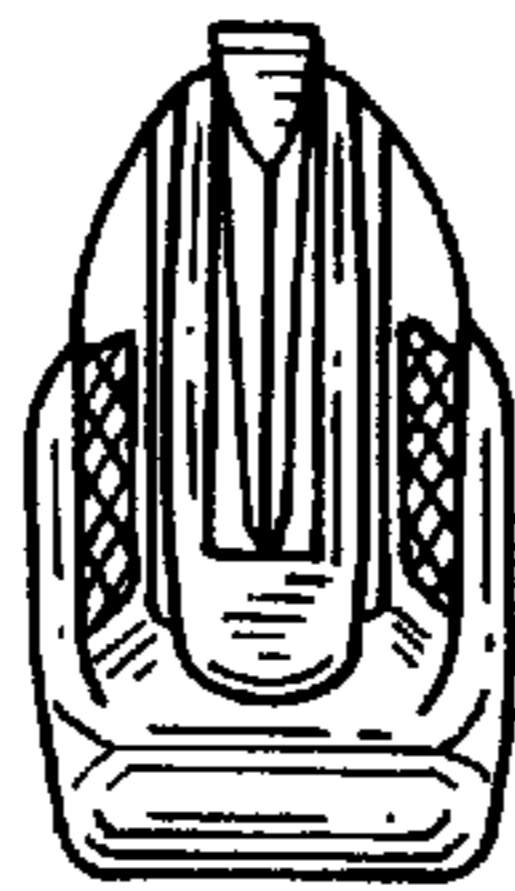


FIG. 4

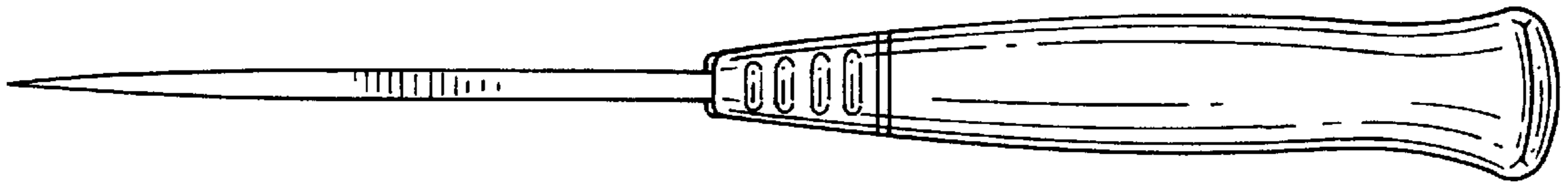


FIG. 5

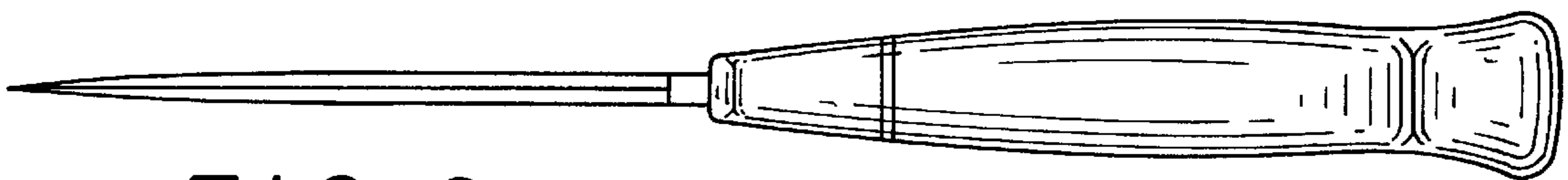


FIG. 6