



US00D414538S

United States Patent [19]
Harrison

[11] **Patent Number: Des. 414,538**

[45] **Date of Patent: ** Sep. 28, 1999**

[54] **HOLDER FOR GOLF BALLS AND ACCESSORIES**

4,269,338 5/1981 Sichel 224/919
5,004,137 4/1991 Wu 206/315.9
5,423,530 6/1995 Gonzalez 473/387

[76] Inventor: **Robert S. Harrison**, 3352 Bloomfield Shores, W. Bloomfield, Mich. 48323

Primary Examiner—Mitchell I Siegel
Attorney, Agent, or Firm—Lalos & Keegan

[**] Term: **14 Years**

[57] **CLAIM**

[21] Appl. No.: **29/092,733**

The ornamental design for a holder for golf balls and accessories, as shown and described.

[22] Filed: **Aug. 26, 1998**

DESCRIPTION

[51] **LOC (6) Cl.** **21-02**

[52] **U.S. Cl.** **D21/796**

[58] **Field of Search** D21/789, 796;
224/252, 269; 206/315.5, 315.6; 473/387,
406

FIG. 1 is a perspective view of a holder embodying the design invention;
FIG. 2 is a front elevational view thereof;
FIG. 3 is a side elevational view thereof;
FIG. 4 is a top view thereof;
FIG. 5 is a rear view thereof; and,
FIG. 6 is a top view thereof.

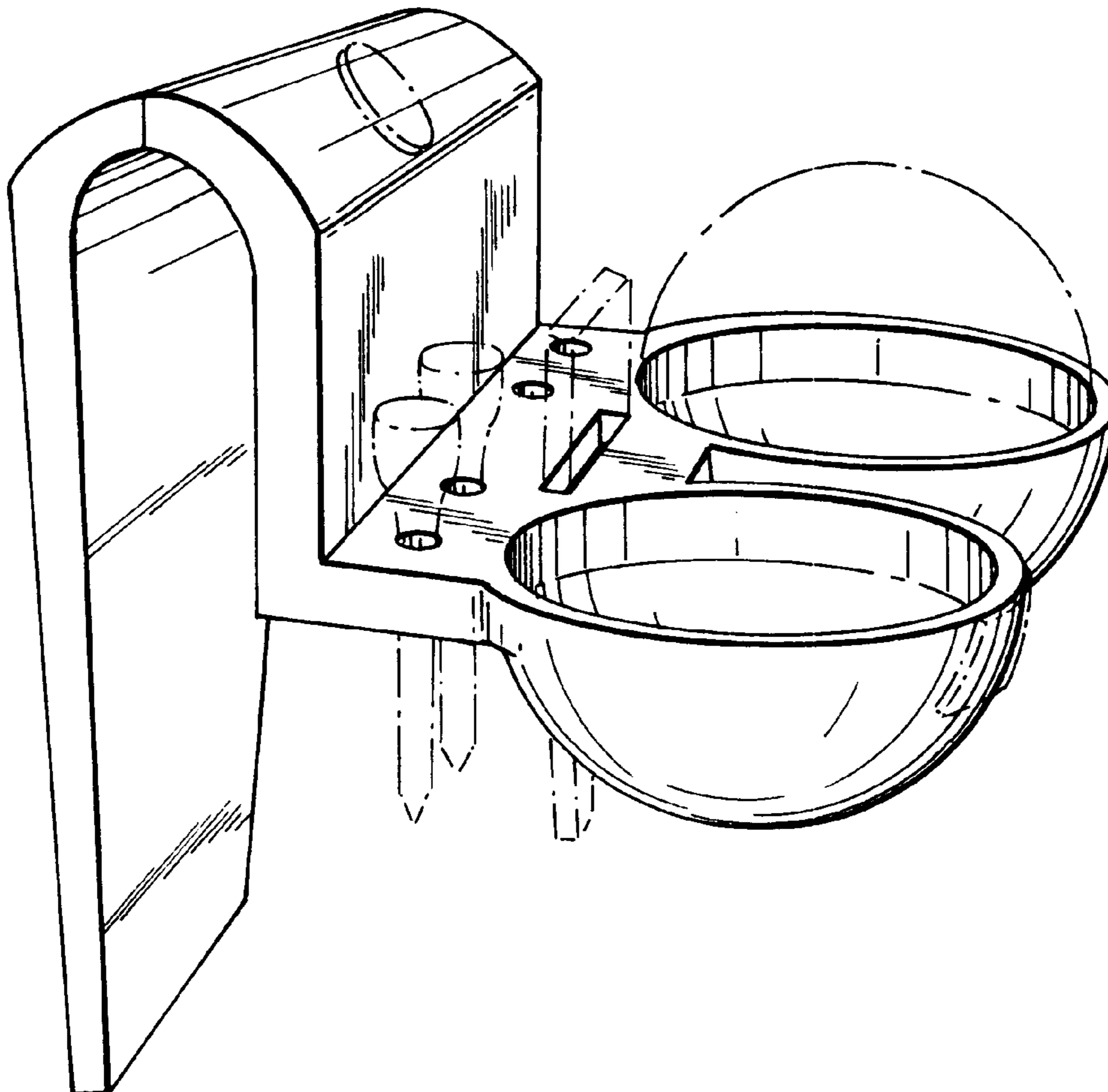
[56] **References Cited**

U.S. PATENT DOCUMENTS

D. 338,254	8/1993	Ribbeck	D21/796
D. 364,912	12/1995	Sowers	D21/796
3,233,802	2/1966	Ludwick	473/406
4,042,156	8/1977	Knight	206/315.9
4,062,482	12/1977	Szalony	224/919
4,106,678	8/1978	Thomas	206/315.9

The broken lines illustrating a pair of golf balls, a set of golf tees, a divot tool, a ball marker and a hook and loop patch are for illustrative purposes only and form no part of the claimed design.

1 Claim, 2 Drawing Sheets



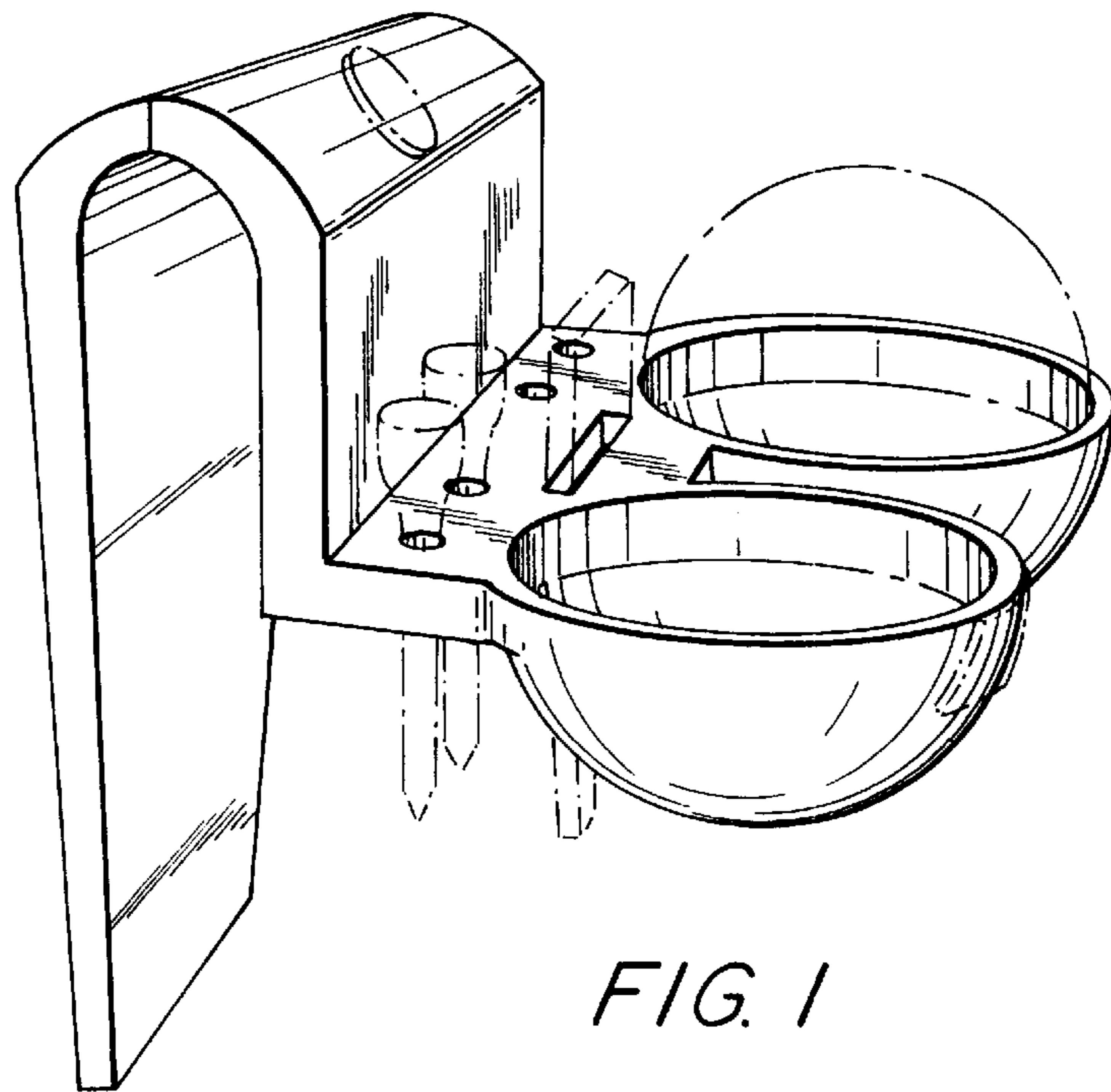


FIG. 1

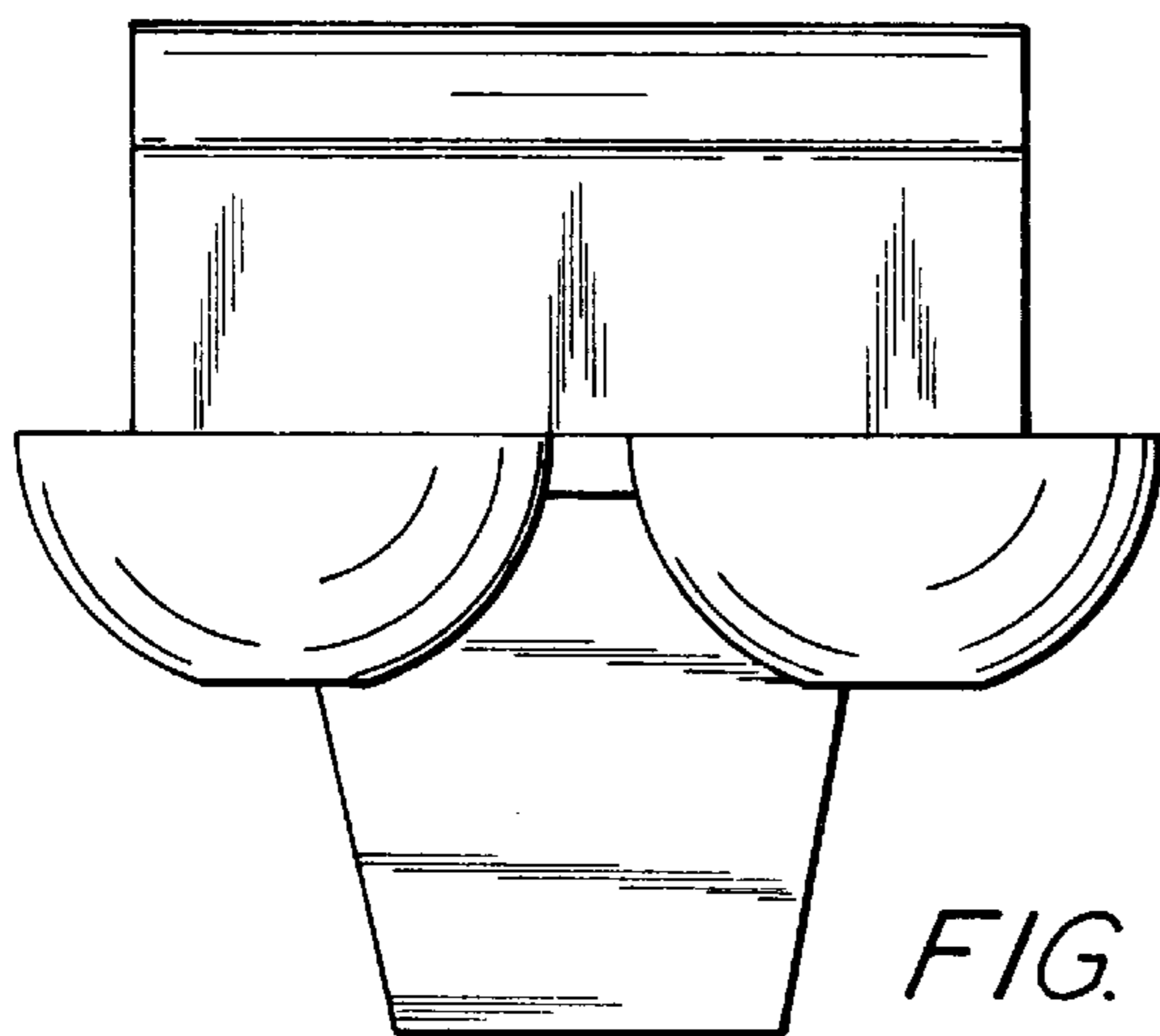


FIG. 2

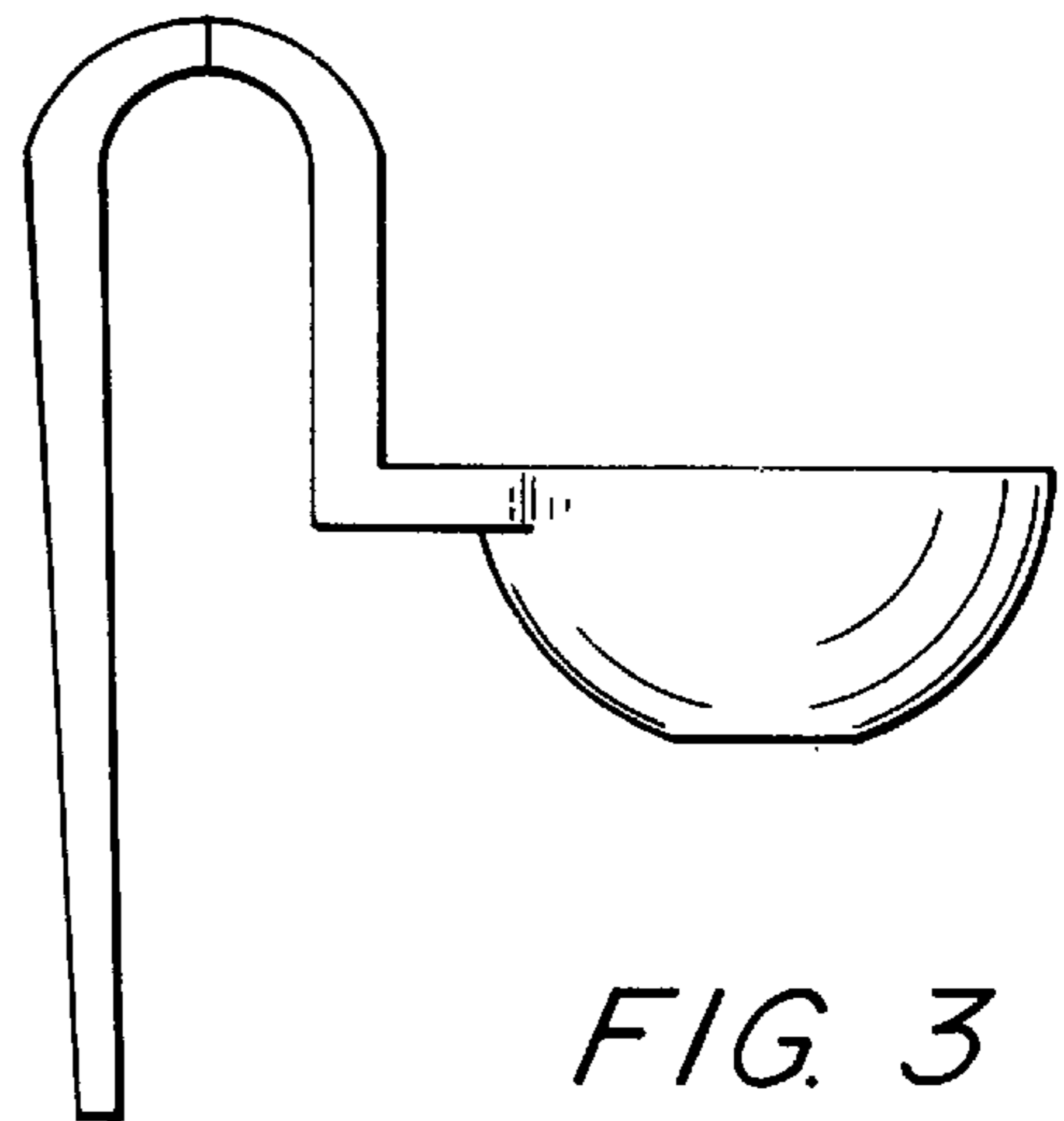


FIG. 3

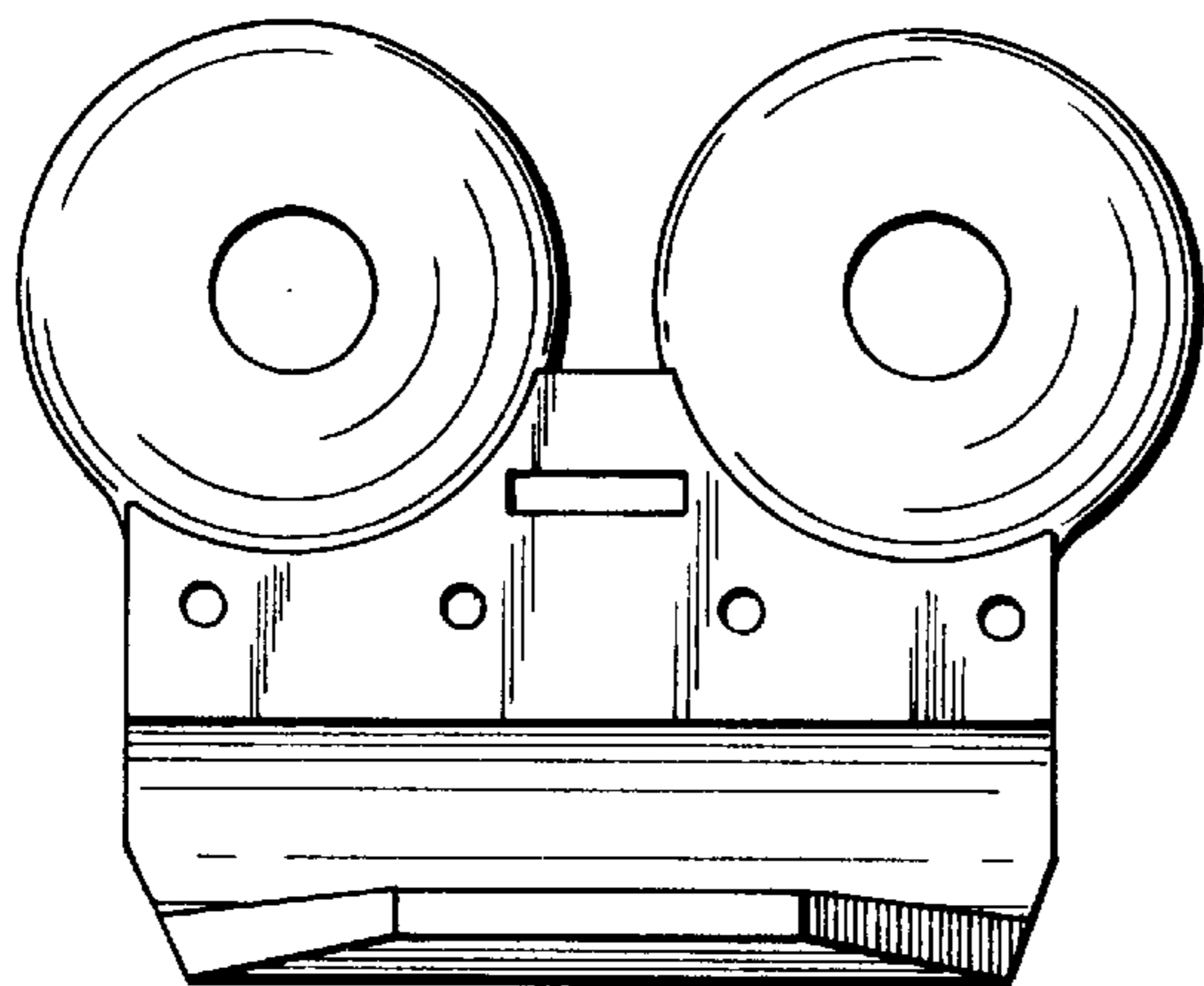


FIG. 4

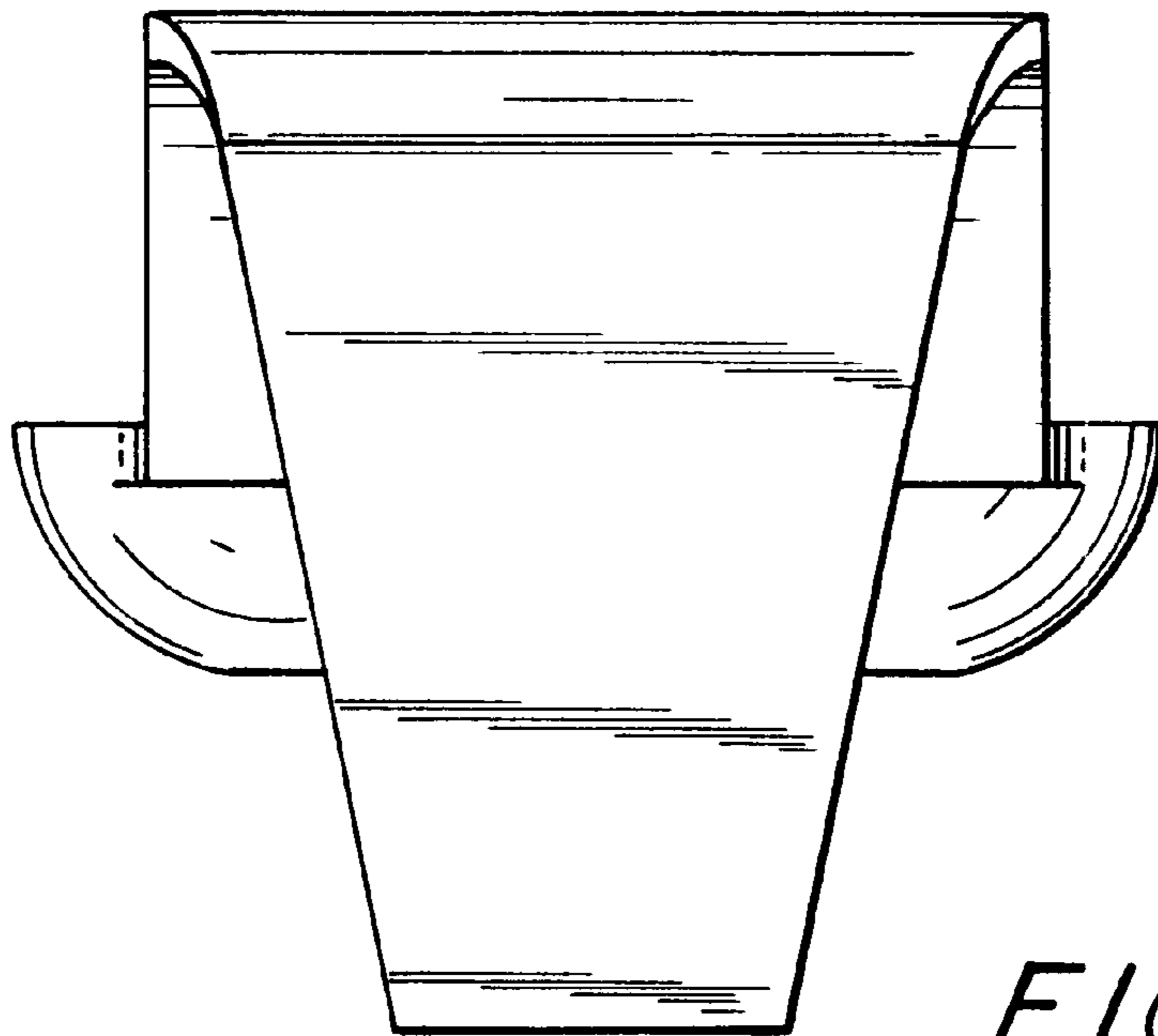


FIG. 5

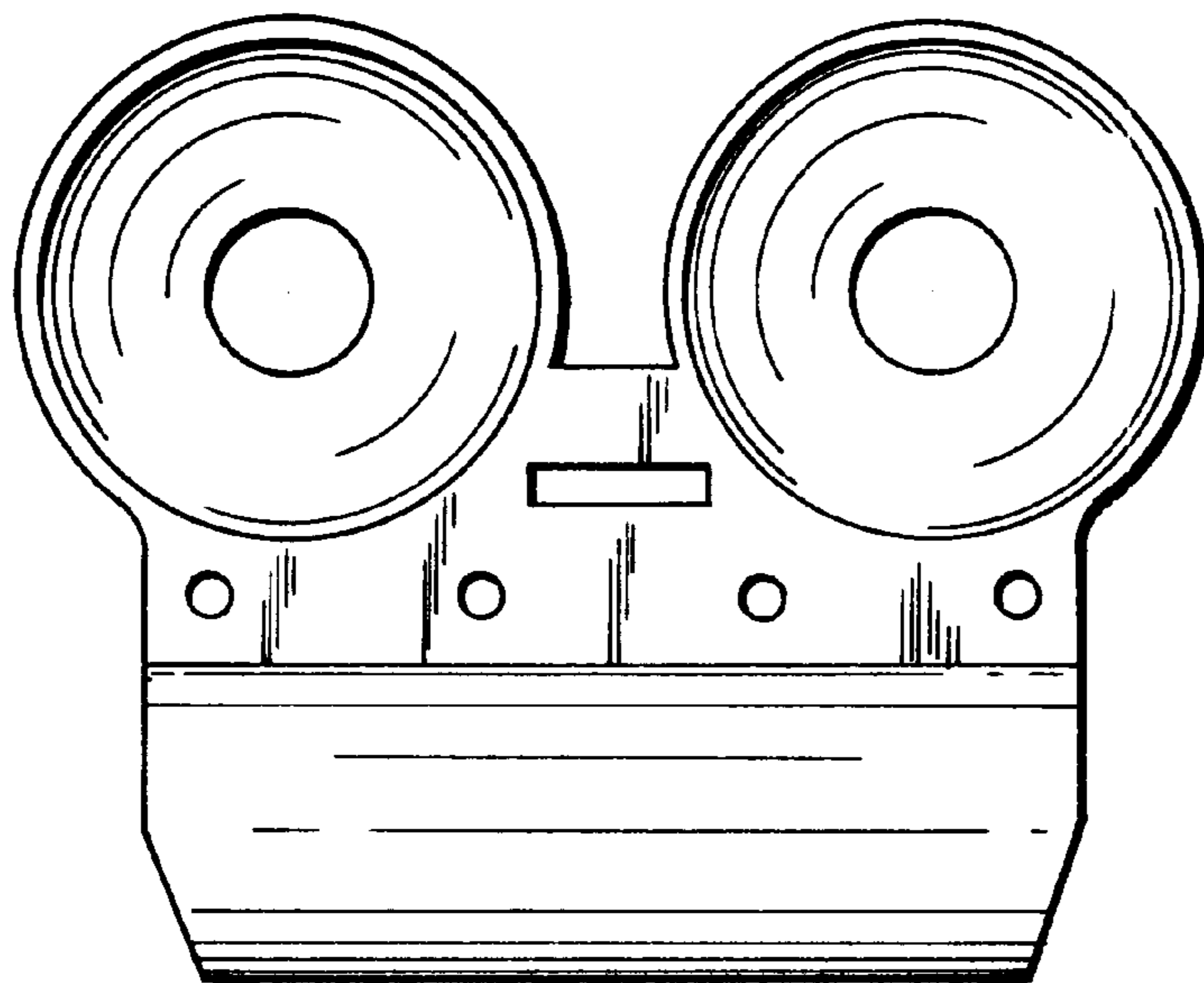


FIG. 6