



US00D414534S

# United States Patent [19] Takahashi

[11] Patent Number: Des. 414,534

[45] Date of Patent: \*\* Sep. 28, 1999

[54] BALL

[75] Inventor: Osamu Takahashi, Tokyo, Japan

[73] Assignee: Tomy Company, Ltd, Tokyo, Japan

[\*\*] Term: 14 Years

[21] Appl. No.: 29/052,969

[22] Filed: Apr. 12, 1996

### [30] Foreign Application Priority Data

Nov. 2, 1995 [JP] Japan ..... 7-33150

[51] LOC (6) Cl. .... 21-01

[52] U.S. Cl. .... D21/713; D21/714

[58] Field of Search ..... D21/59, 92, 204;  
446/431, 227

### [56] References Cited

#### U.S. PATENT DOCUMENTS

D. 33,124 8/1900 Newell ..... D21/204

D. 193,143	7/1962	Sadek .....	D21/204 X
D. 214,928	8/1969	Baldwin et al. ....	D21/204 X
D. 273,506	4/1984	Routzong et al. ....	D21/204
D. 336,317	6/1993	Thomson et al. ....	D21/59
D. 363,093	10/1995	Mastroianni .....	D21/59
D. 367,504	2/1996	Barzani .....	D21/59 X
2,324,277	7/1943	Casey et al. ....	D21/204 X
2,960,794	11/1960	Johns .....	D21/204 X

Primary Examiner—Dominic Simone  
Attorney, Agent, or Firm—Staas & Halsey

### [57] CLAIM

The ornamental design for a ball, as shown.

### DESCRIPTION

FIG. 1 is a front elevational view;  
FIG. 2 is a rear elevational view;  
FIG. 3 is a top plan view;  
FIG. 4 is a bottom plan view;  
FIG. 5 is a right side elevational view; and,  
FIG. 6 is a left side elevational view.

1 Claim, 3 Drawing Sheets

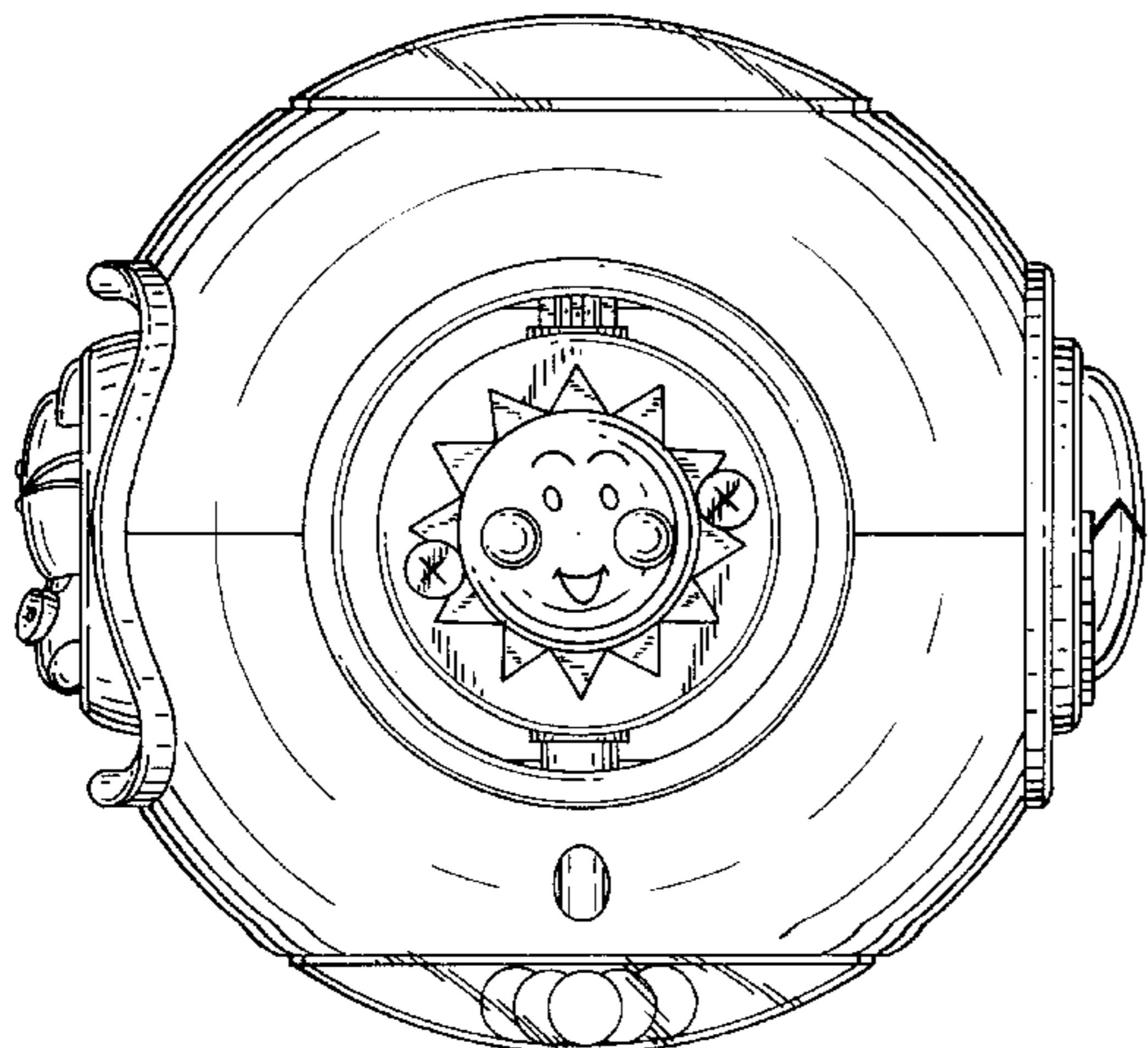
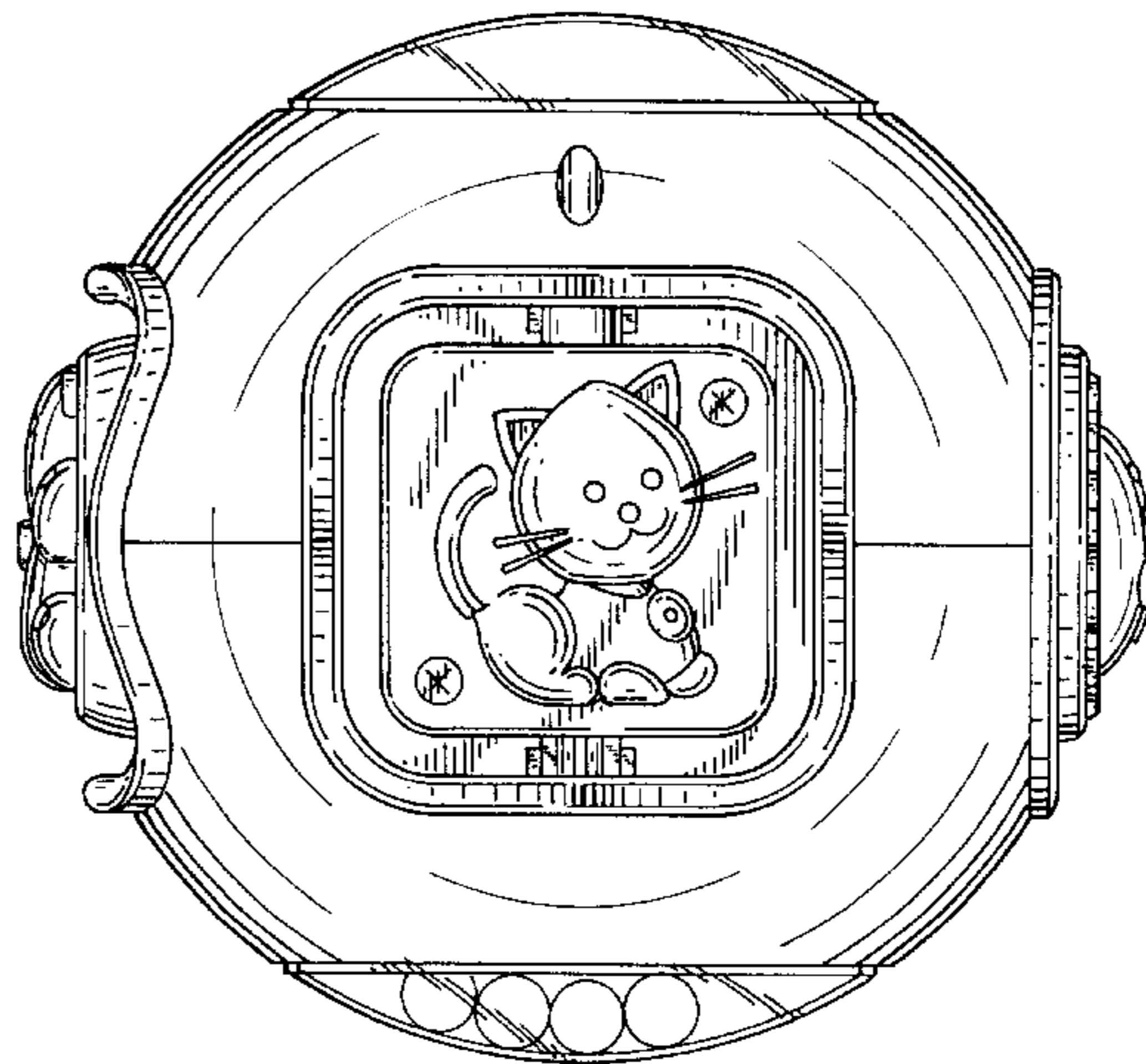
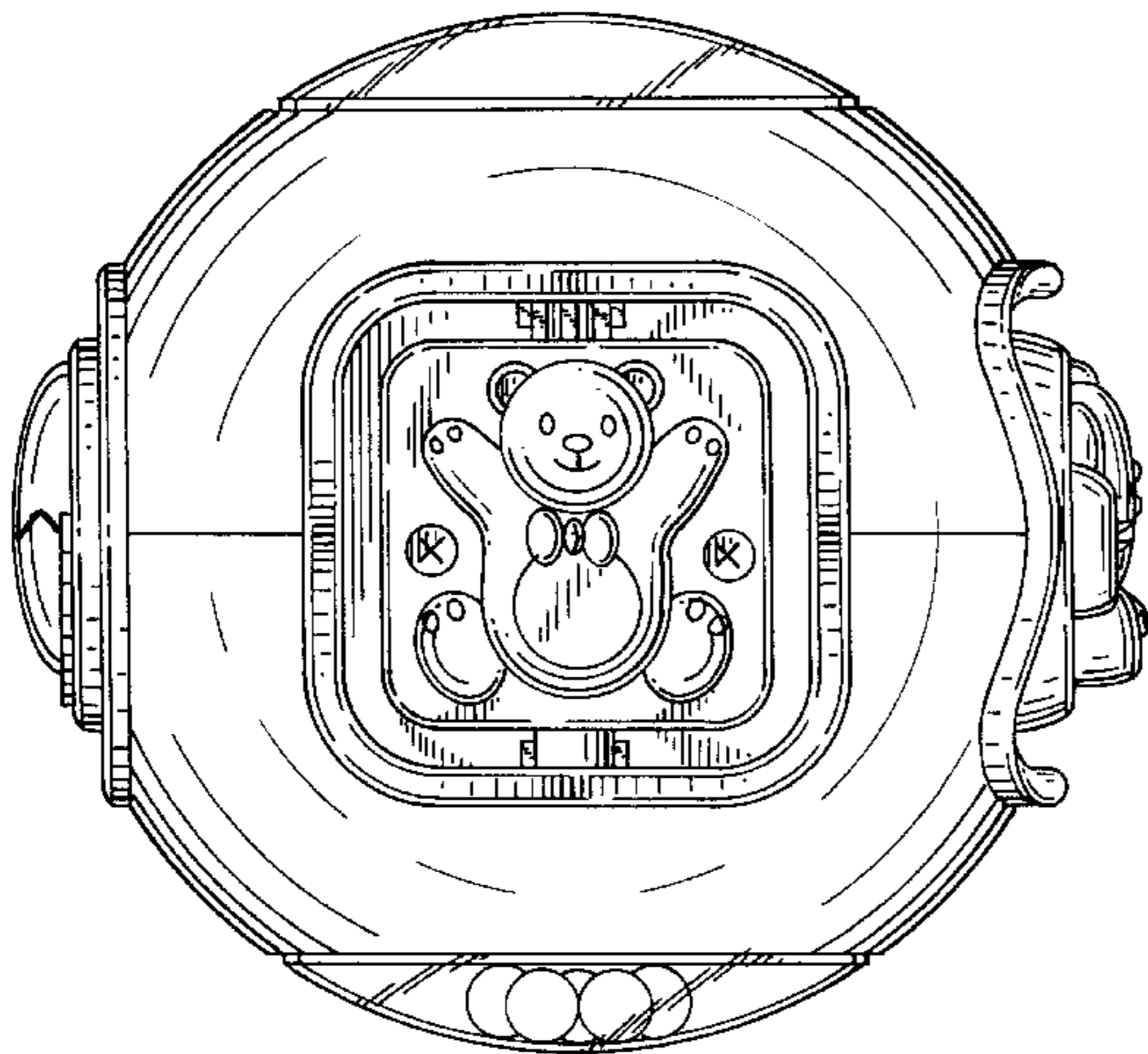


FIG. 1

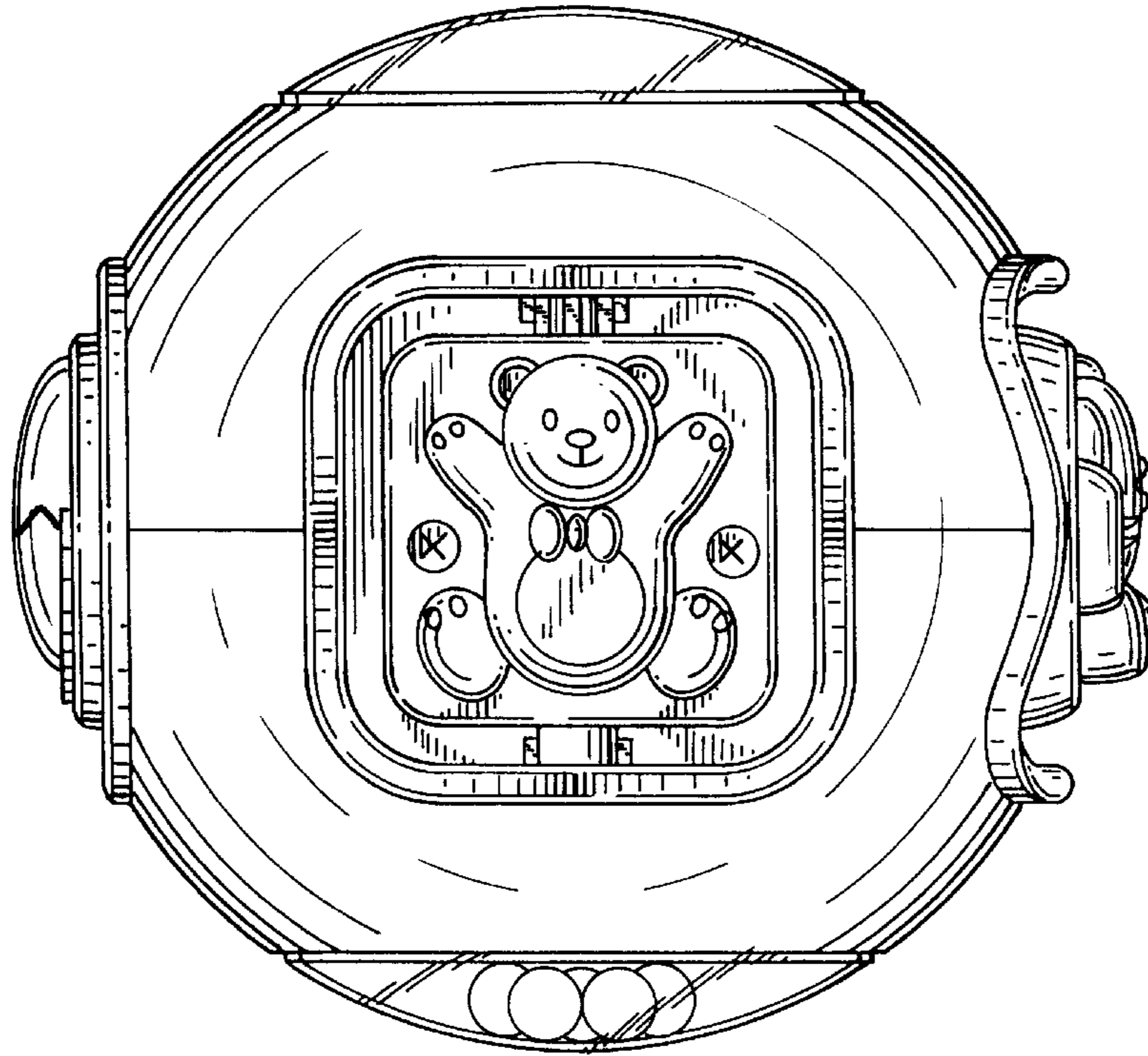


FIG. 2

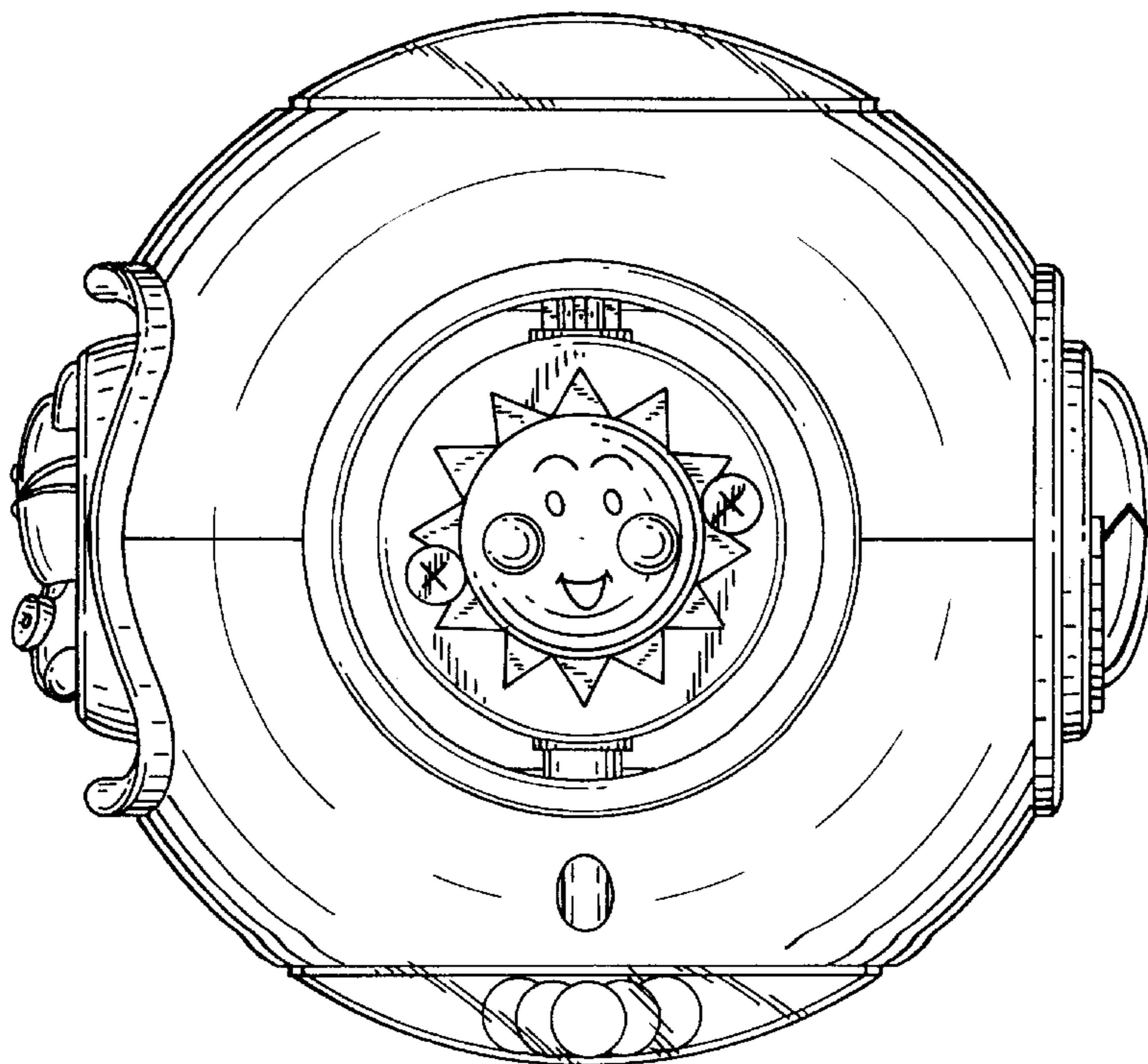


FIG. 3

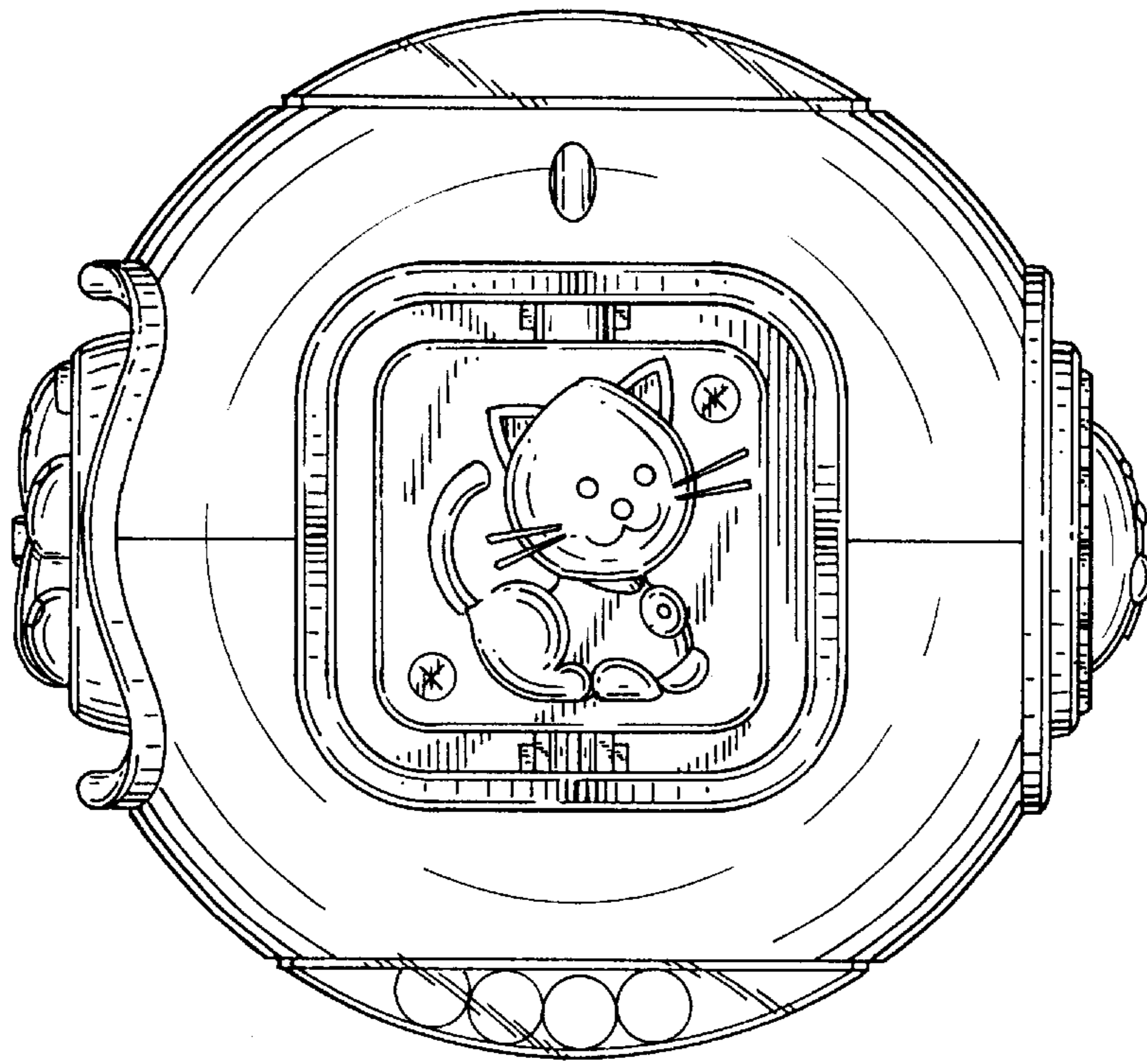


FIG. 4

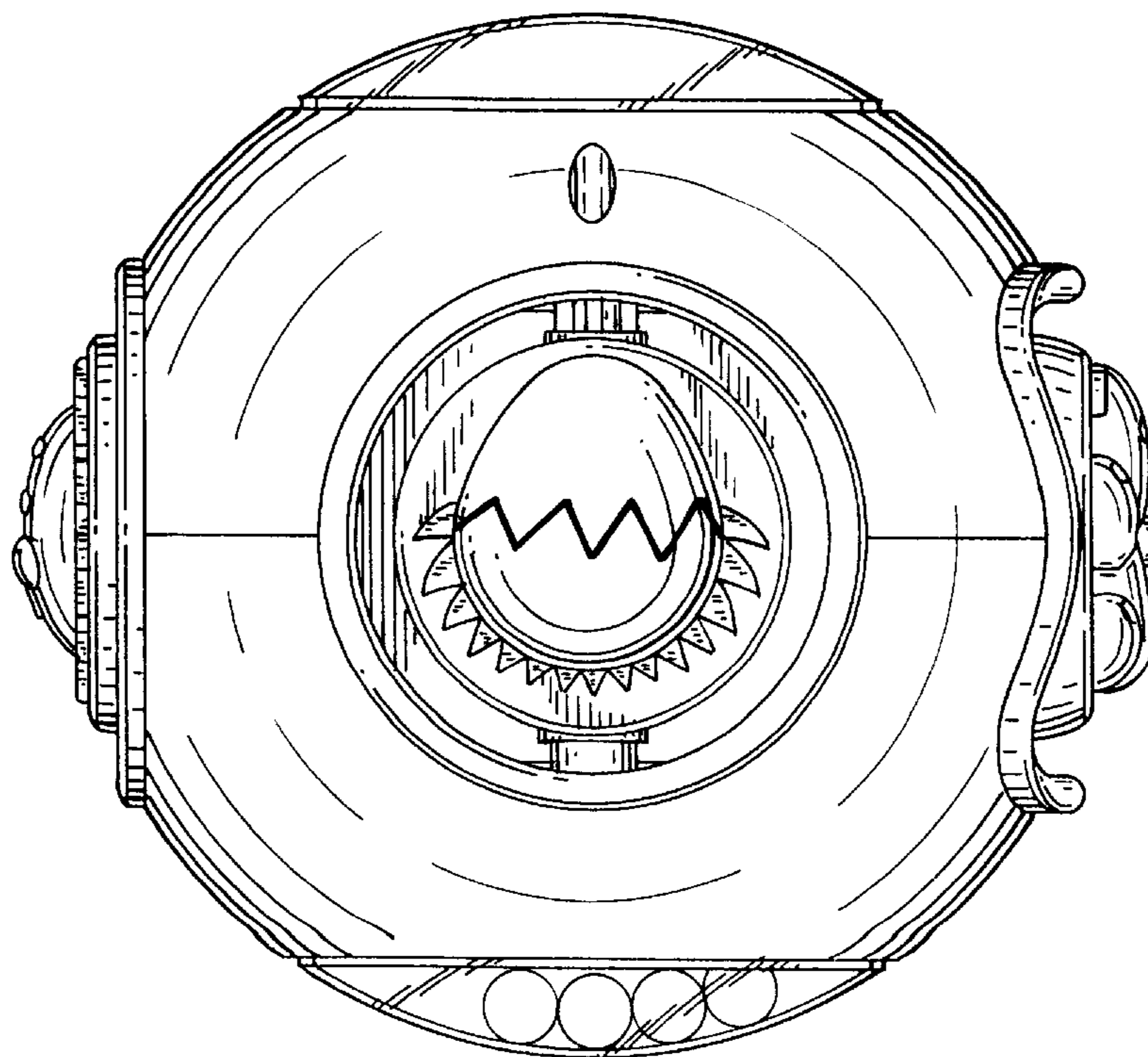


FIG. 5

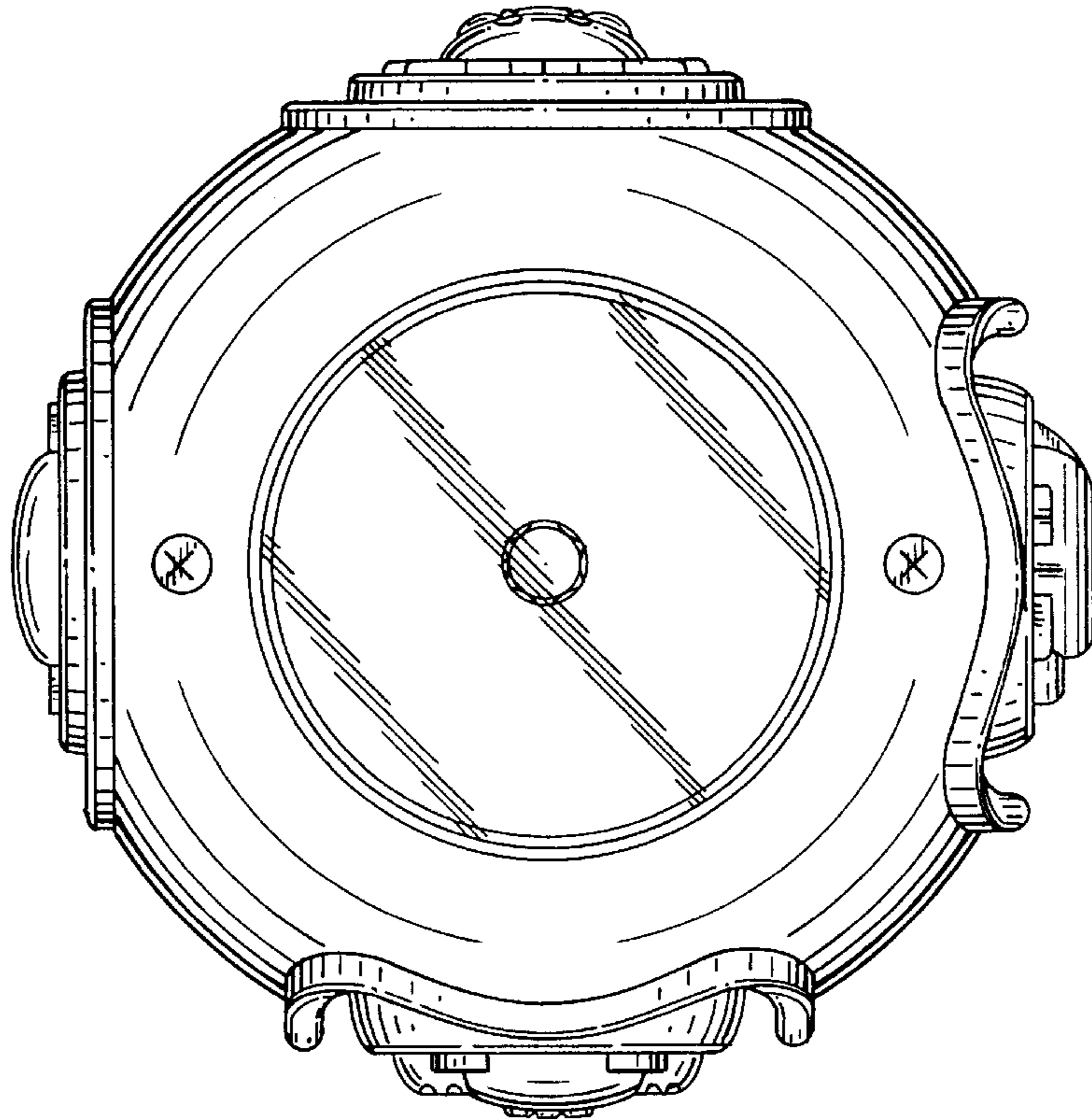


FIG. 6

