



US00D414533S

**United States Patent** [19]  
**Edwards**

[11] **Patent Number: Des. 414,533**

[45] **Date of Patent: \*\* Sep. 28, 1999**

[54] **SIDE STEPS FOR MODEL RAILWAY CAR**

[75] Inventor: **Lawrence D. Edwards**, Eagle Point, Oreg.

[73] Assignee: **Kadee Quality Products Co.**, White City, Oreg.

[\*\*] Term: **14 Years**

[21] Appl. No.: **29/084,924**

[22] Filed: **Mar. 11, 1998**

[51] **LOC (6) Cl.** ..... **21-01**

[52] **U.S. Cl.** ..... **D21/561; D21/540**

[58] **Field of Search** ..... D21/540, 561, D21/562; D12/42, 45, 48; 105/1.5, 157.2, 460; 213/51, 75 TC, 75 D, 220

[56] **References Cited**

**U.S. PATENT DOCUMENTS**

D. 2,719 6/1867 Galbraith .  
594,579 11/1897 Thomas .  
1,178,494 4/1916 Clasen .

1,399,077 12/1921 Posson .  
1,881,795 10/1932 Martin .  
2,094,443 9/1937 Blomberg .  
2,101,169 12/1937 Dietrichson .  
3,408,769 11/1968 Ernst ..... 213/75 TC  
3,469,713 9/1969 Edwards ..... 213/75 TC

*Primary Examiner*—Nelson C. Holtje  
*Attorney, Agent, or Firm*—Robert D. Varitz P.C.

[57] **CLAIM**

The ornamental design for side steps for model railway car, as shown and described.

**DESCRIPTION**

FIG. 1 is a perspective view of an ornamental design for a side steps for model railway car showing my new design in an environmental setting, which is shown in phantom. FIG. 2 is a right side elevation thereof. FIG. 3 is a left side elevation thereof. FIG. 4 is a rear elevation thereof. FIG. 5 is a front elevation thereof. FIG. 6 is a top plan view thereof; and, FIG. 7 is a bottom plan view thereof.

**1 Claim, 2 Drawing Sheets**

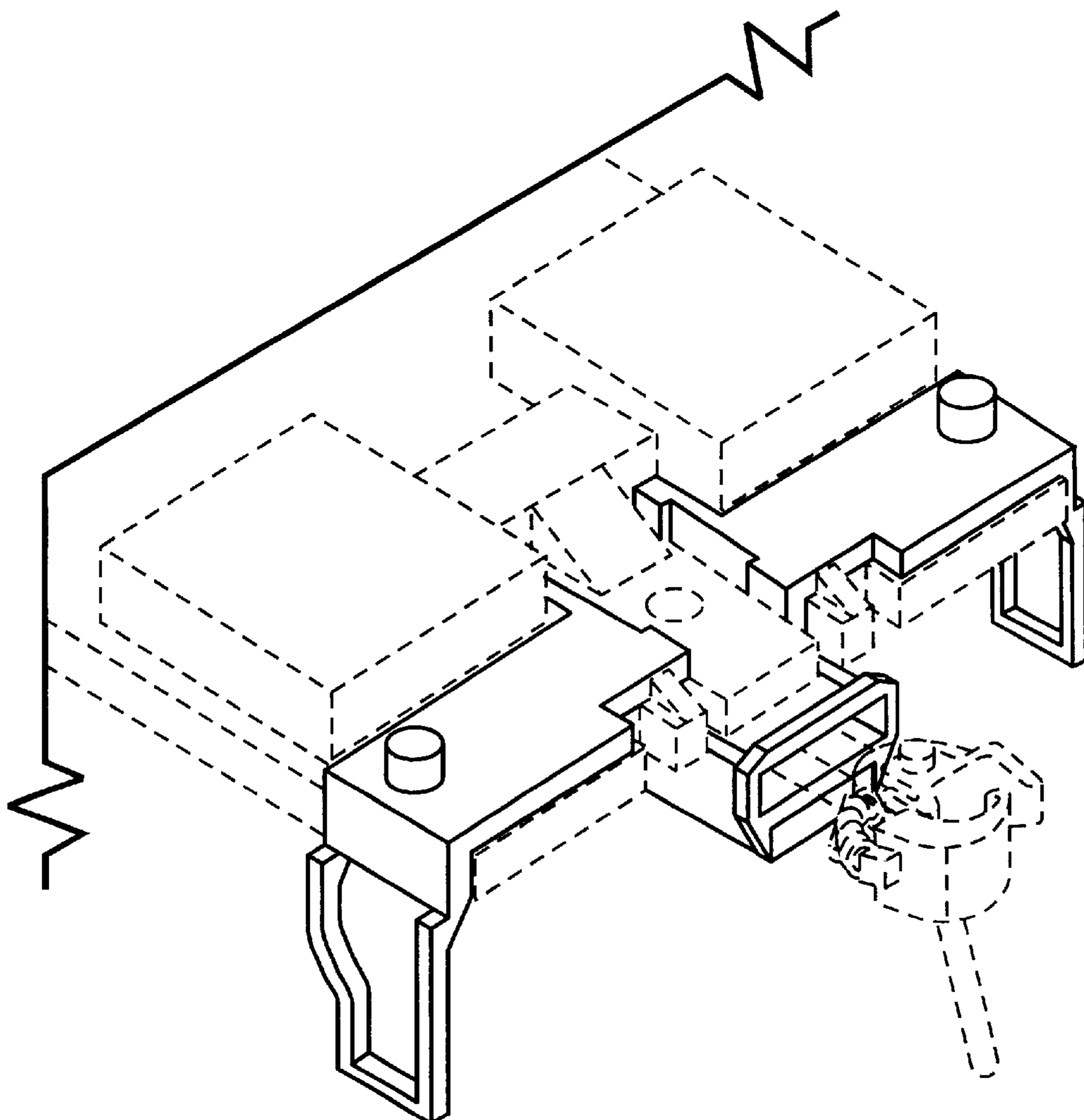


Fig. 1

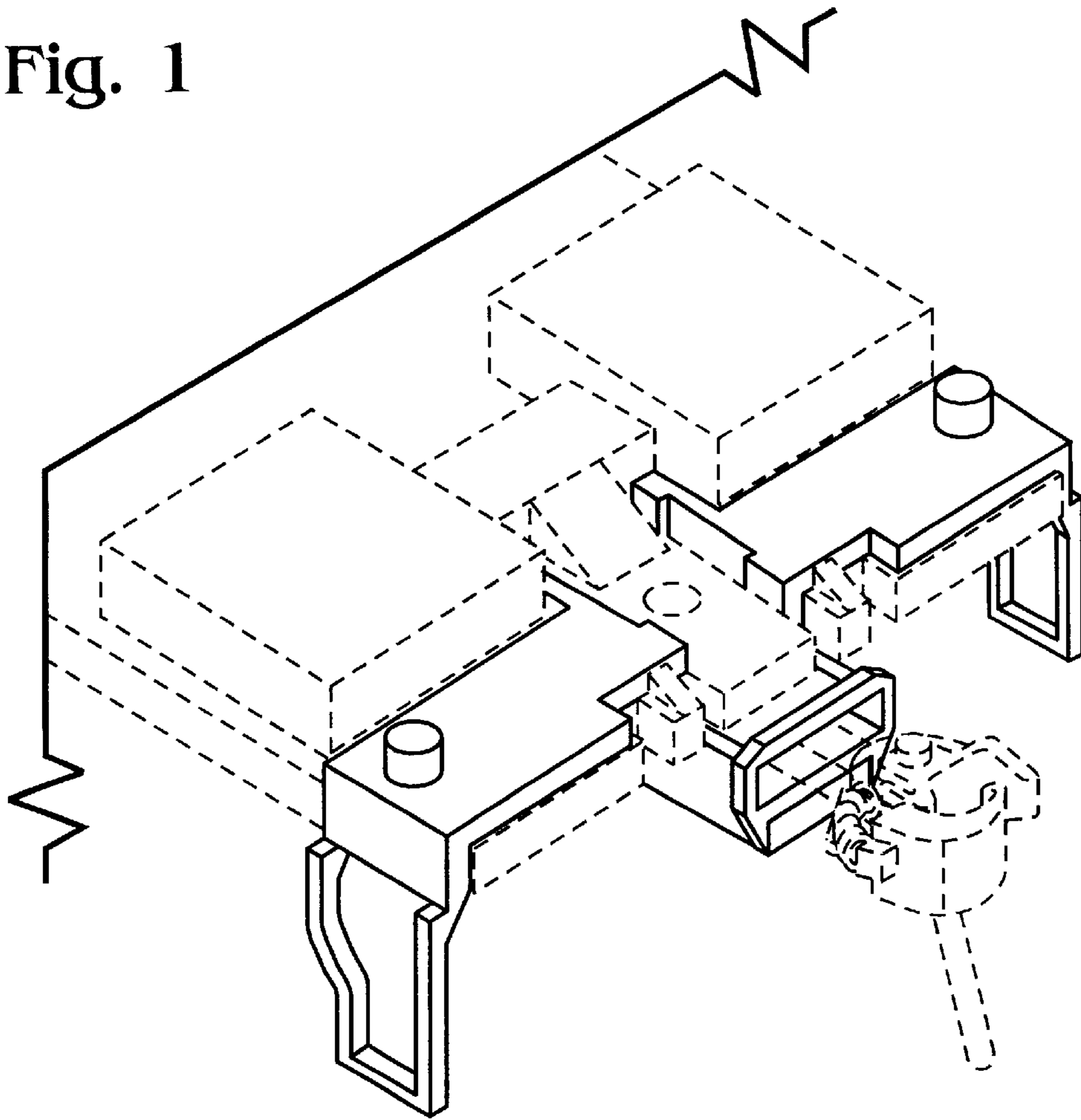


Fig. 2

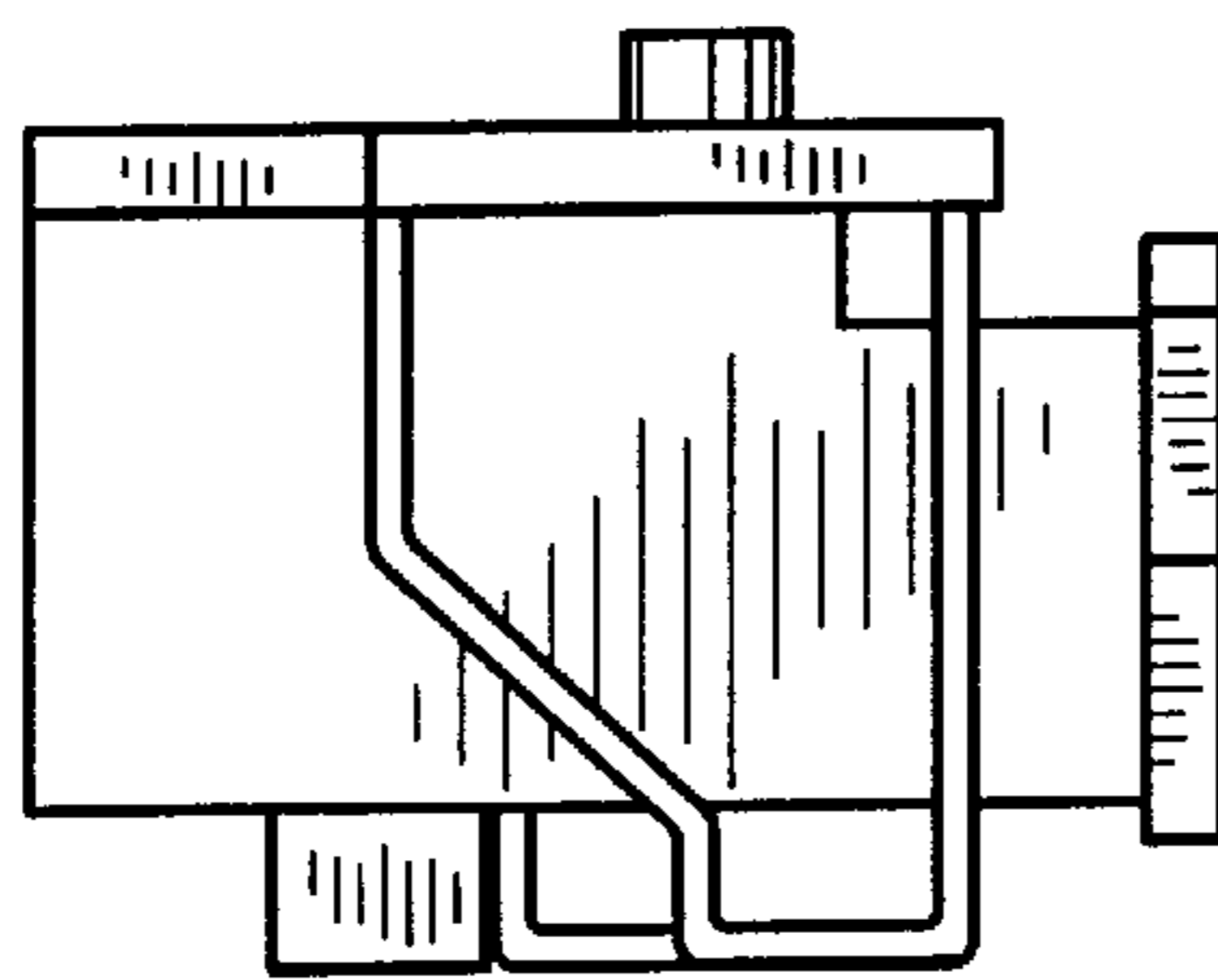


Fig. 3

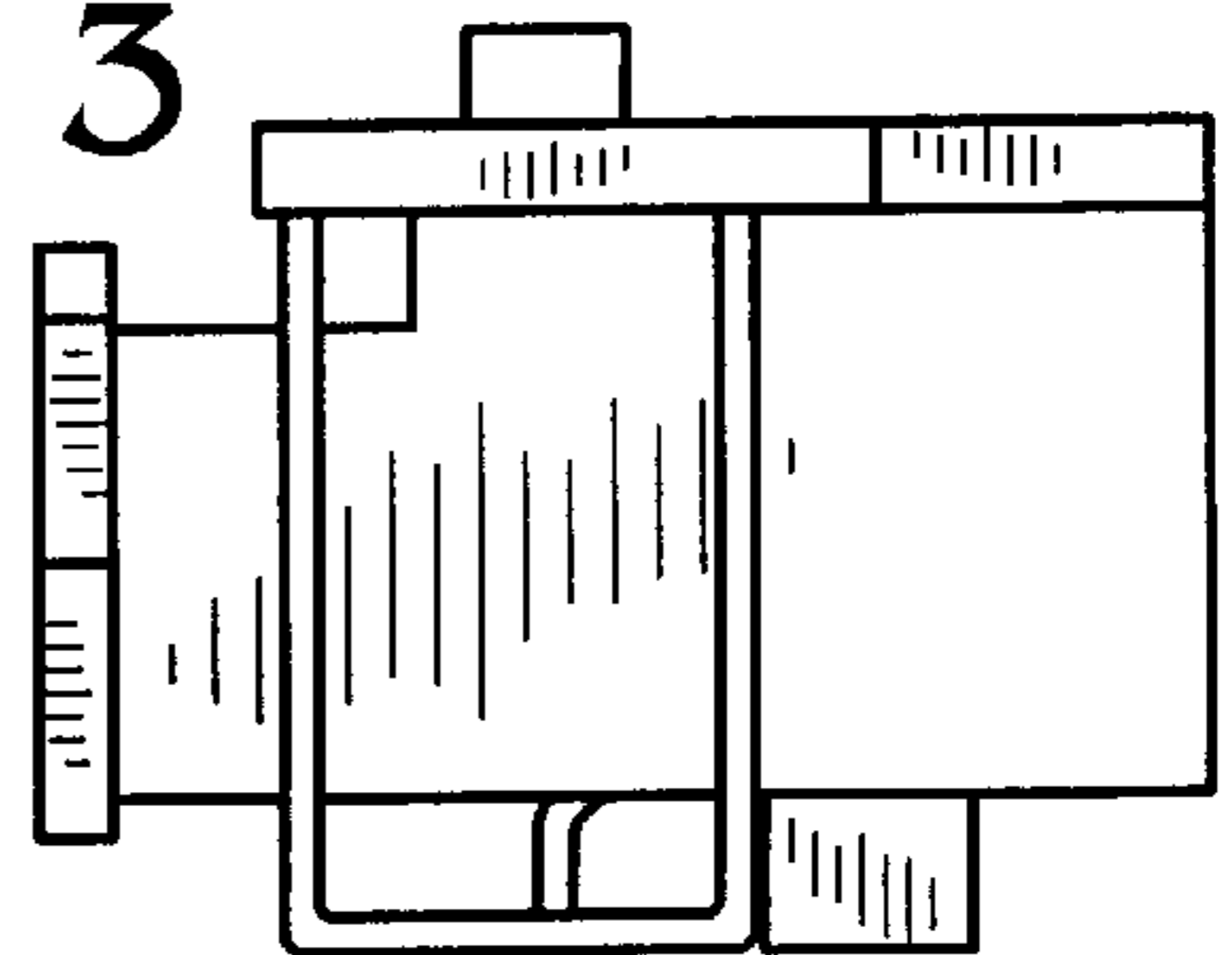


Fig. 4

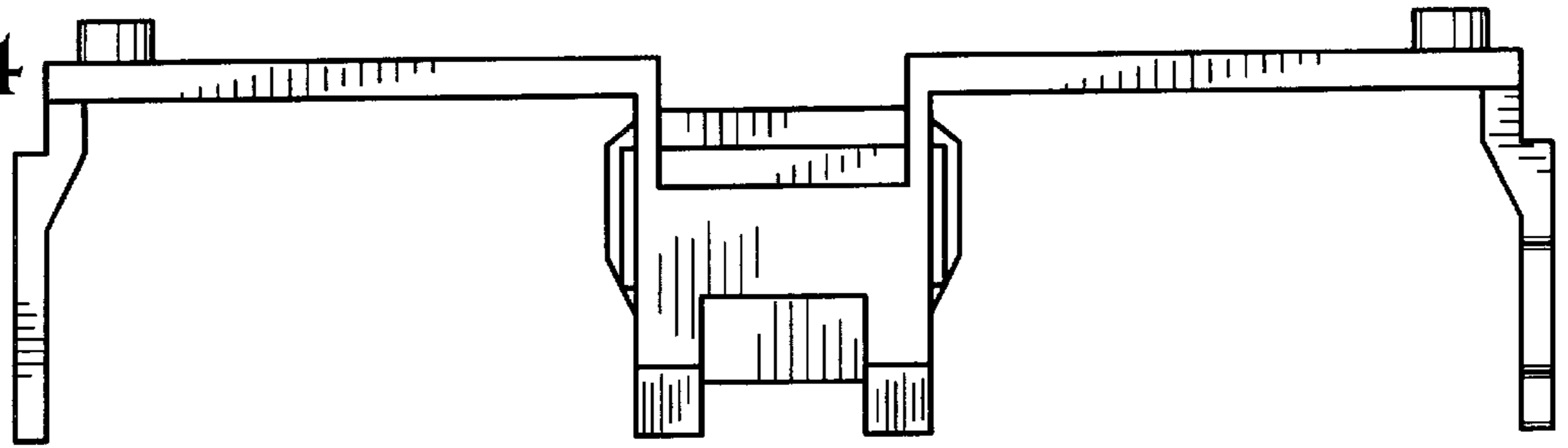


Fig. 5

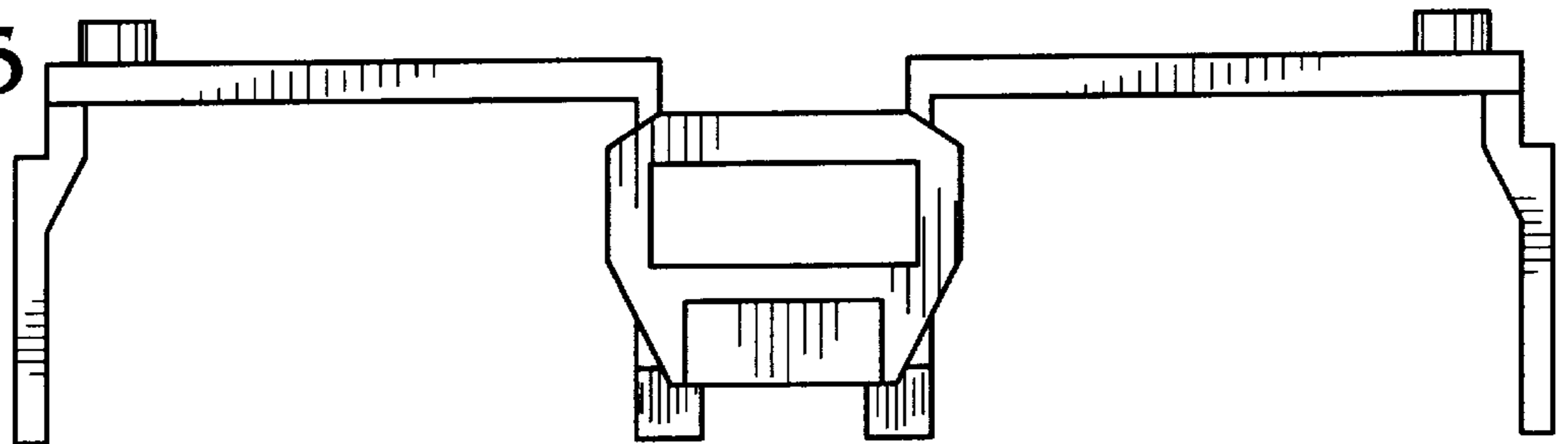


Fig. 6

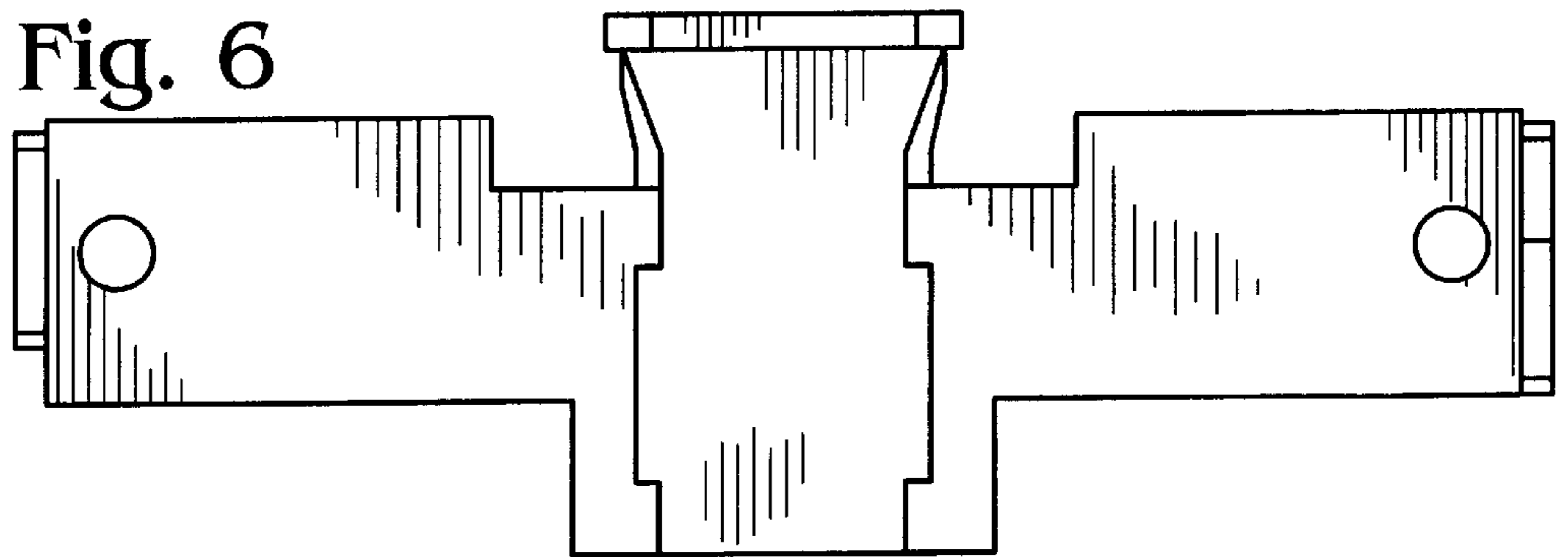


Fig. 7

