



US00D414527S

United States Patent [19]
Tedham

[11] **Patent Number: Des. 414,527**

[45] **Date of Patent: ** Sep. 28, 1999**

[54] **DEVICE FOR DELIVERING CARDS**

[75] Inventor: **Thomas A. Tedham**, Eden Prairie, Minn.

[73] Assignee: **Shuffle Master, Inc.**, Las Vegas, Nev.

[**] Term: **14 Years**

[21] Appl. No.: **29/086,567**

[22] Filed: **Apr. 15, 1998**

[51] **LOC (6) Cl.** **21-01**

[52] **U.S. Cl.** **D21/396**

[58] **Field of Search** D21/369, 385,
D21/396; 273/148 R, 149 R

[56] **References Cited**

U.S. PATENT DOCUMENTS

D. 232,953	9/1974	Oguchi	D21/396
D. 269,628	7/1983	Willette et al.	D21/396
5,356,145	10/1994	Verschoor	273/149 R
5,382,024	1/1995	Blaha	273/149 R
5,584,483	12/1996	Sines et al.	273/149 R

Primary Examiner—Sandra L. Morris
Attorney, Agent, or Firm—Jennifer K. Farrar

[57] **CLAIM**

The ornamental design for a device for delivering cards, as shown and described.

DESCRIPTION

FIG. 1 is a first perspective view of a first embodiment of the present invention showing our new design; FIG. 2 is a second perspective view thereof; FIG. 3 is a rear elevational view thereof; FIG. 4 is a front elevational view thereof; FIG. 5 is a left side elevational view thereof; FIG. 6 is a right side elevational view thereof; FIG. 7 is a top plan view thereof; FIG. 8 is a bottom plan view thereof; FIG. 9 is a first perspective view of a second embodiment of the present invention showing my new design; FIG. 10 is a second perspective view thereof; FIG. 11 is a rear elevational view thereof; FIG. 12 is a front elevational view thereof; FIG. 13 is a left side elevational view thereof; FIG. 14 is a right side elevational view thereof; FIG. 15 is a top plan view thereof; and, FIG. 16 is a bottom plan view thereof.

1 Claim, 16 Drawing Sheets

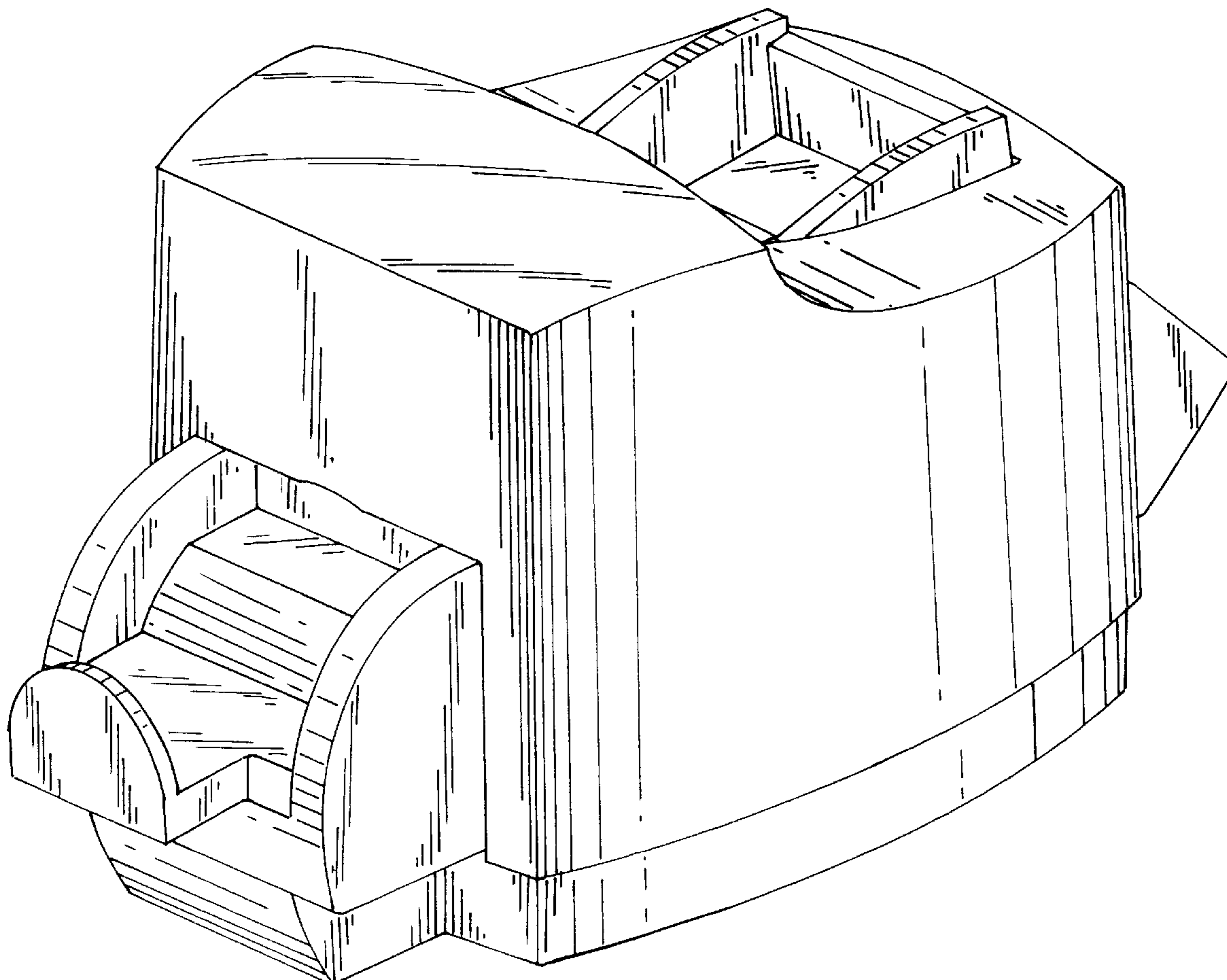


Fig. 1

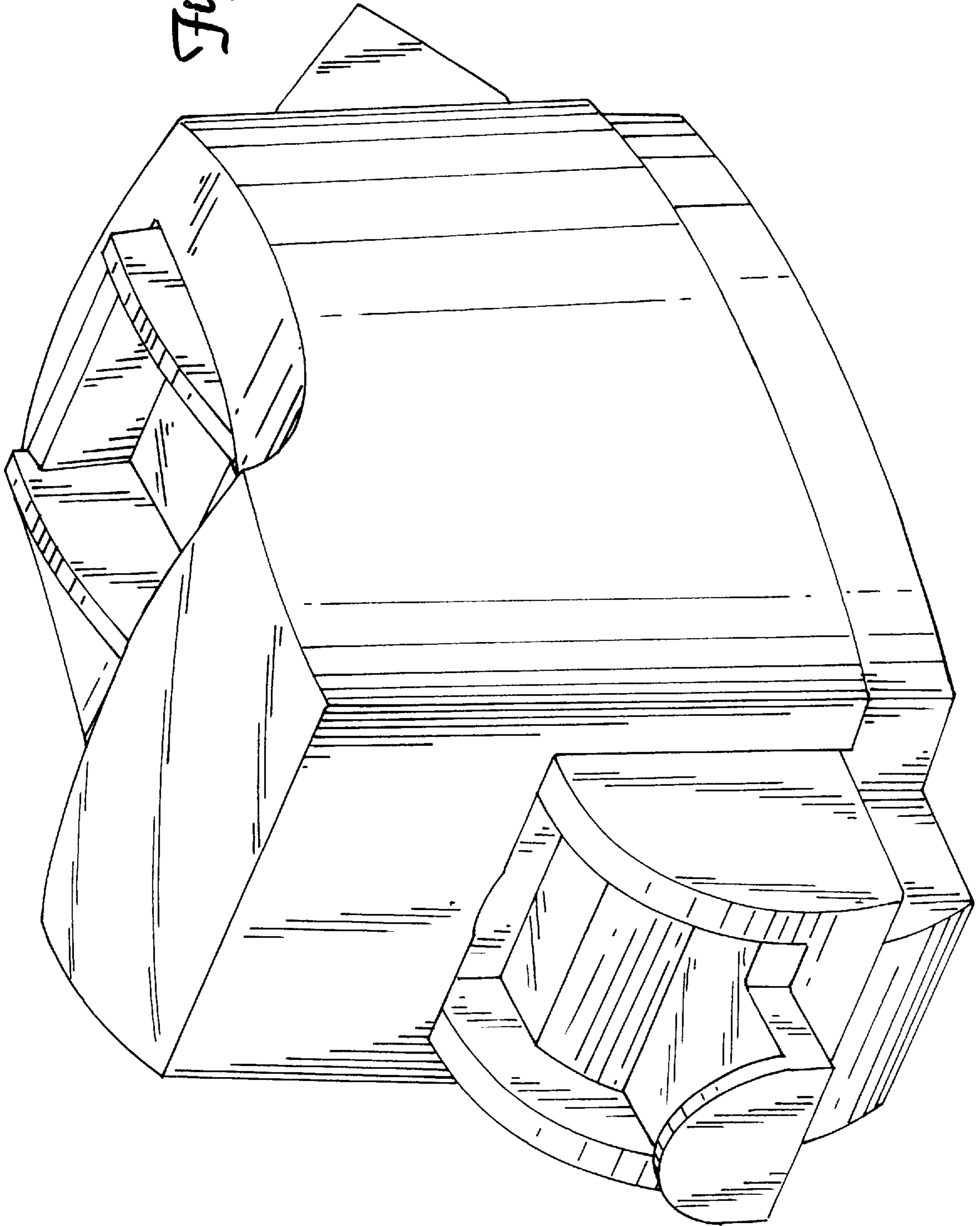


Fig. 2

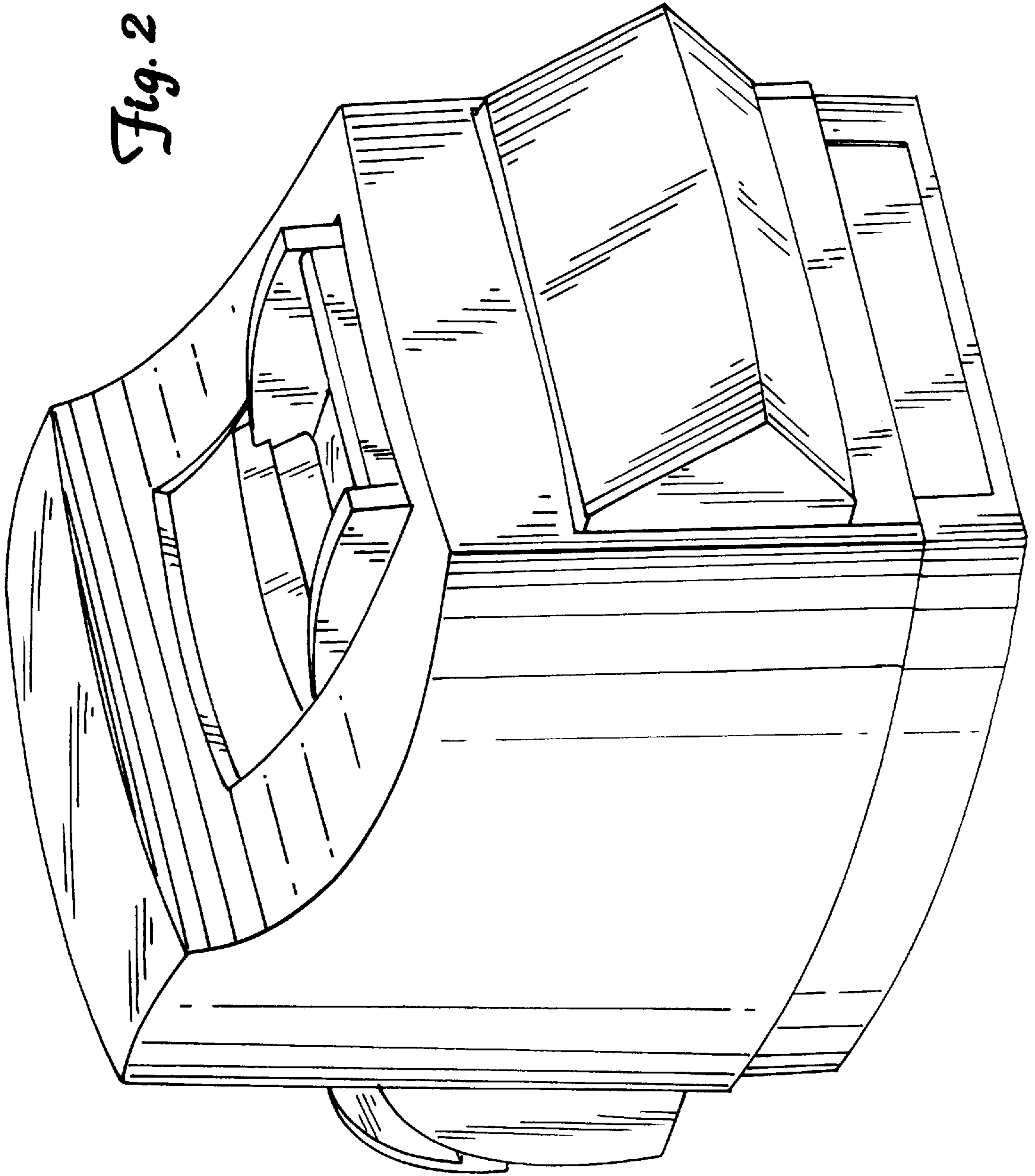


Fig. 3

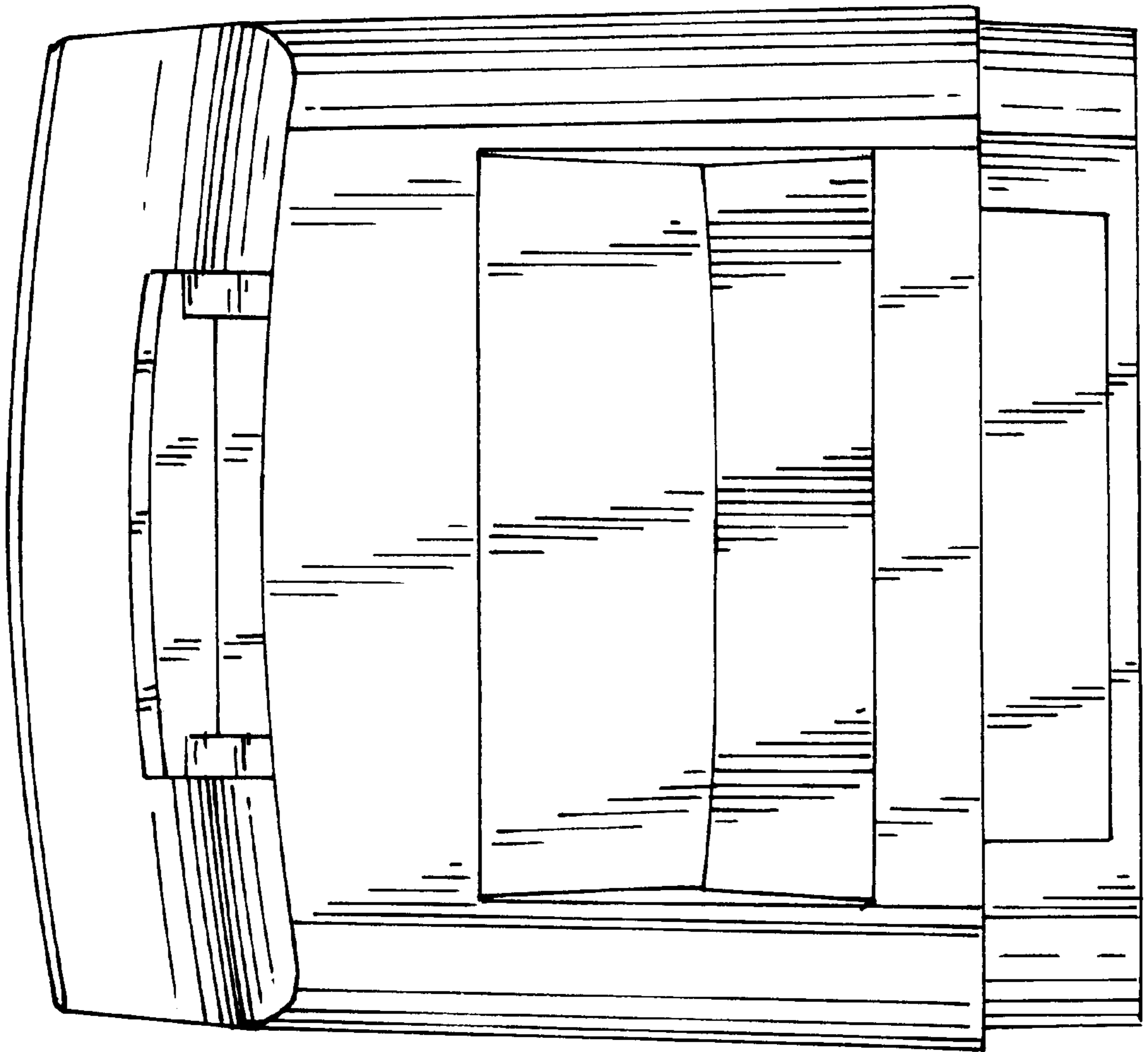
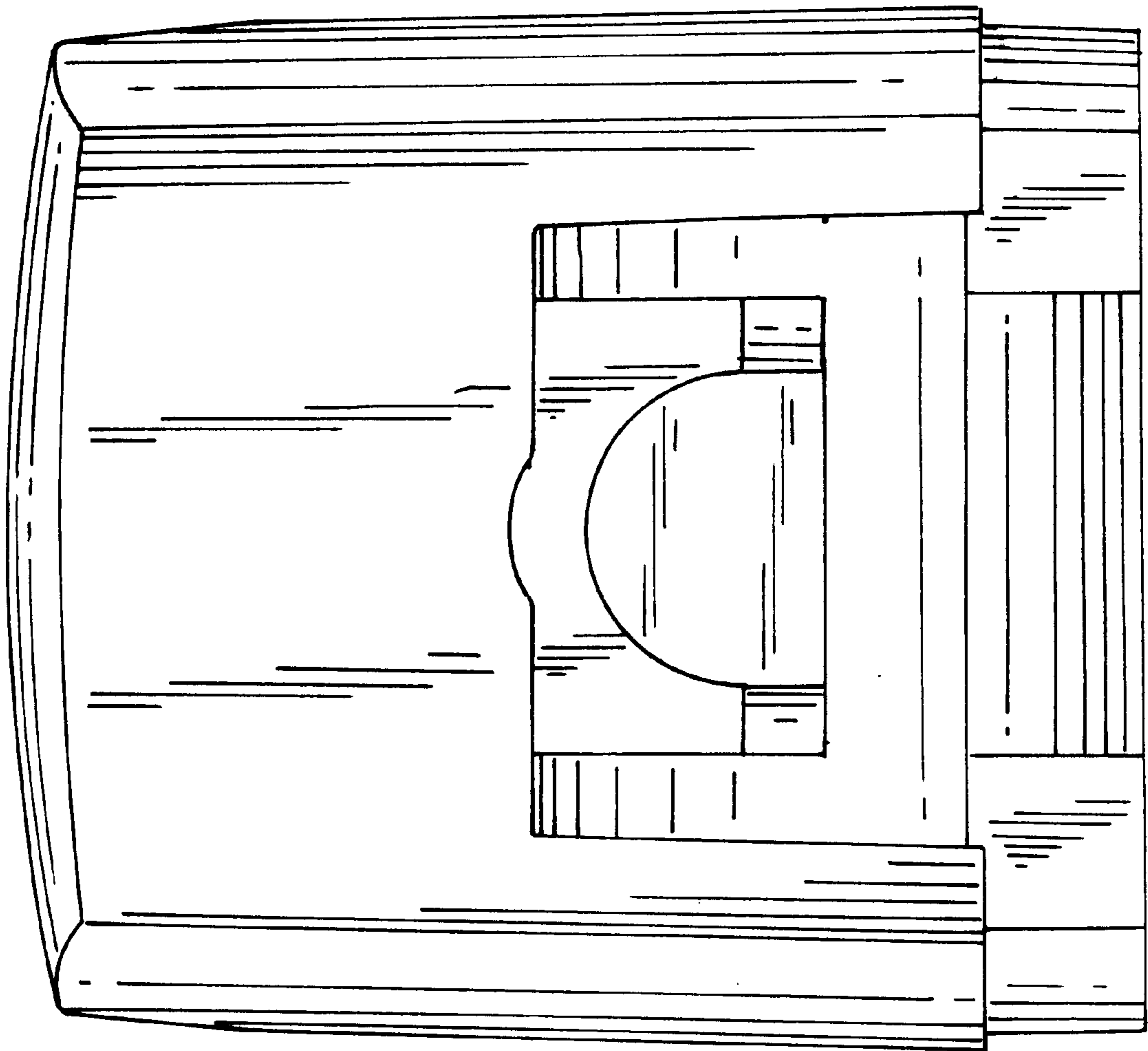
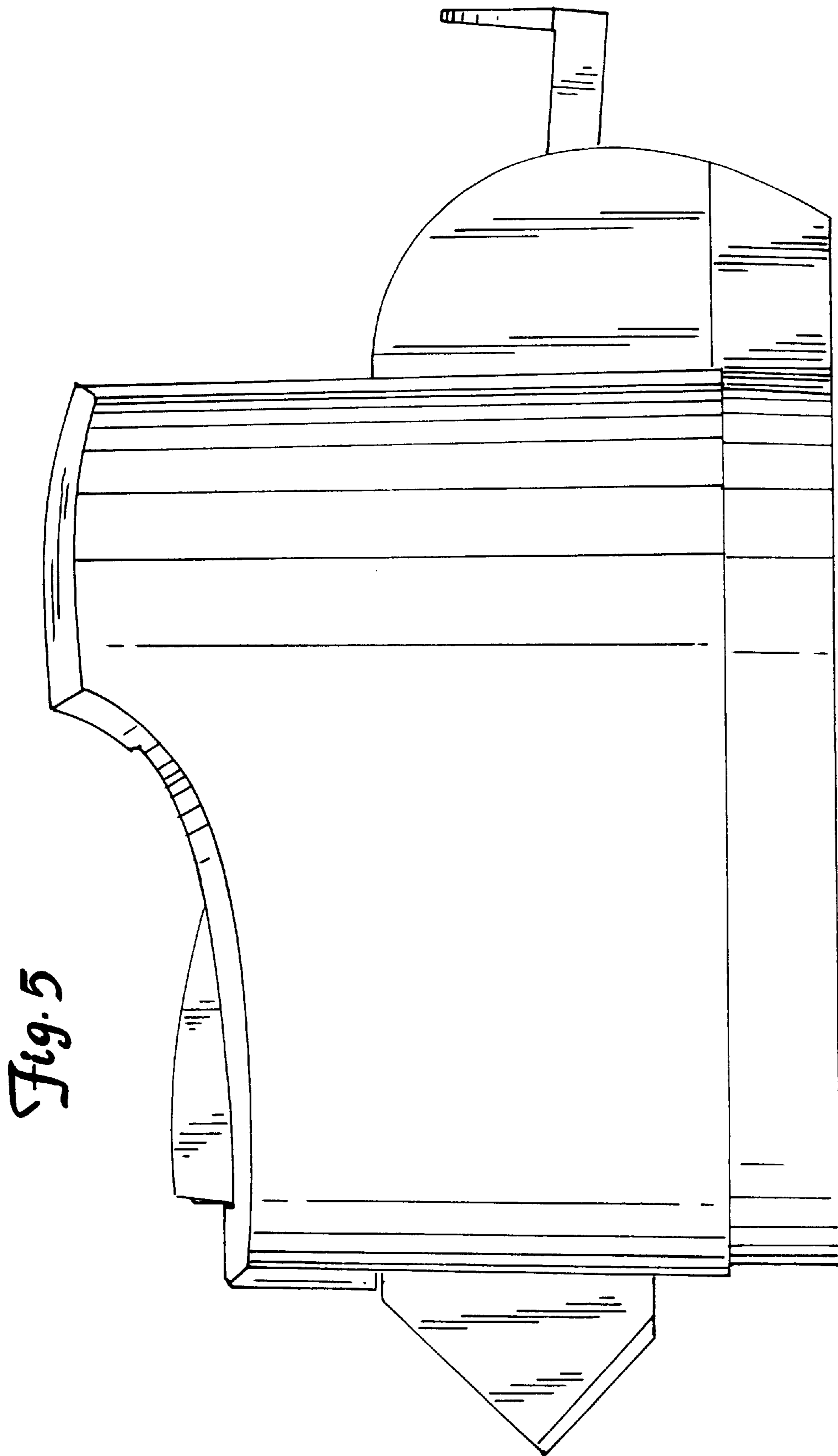


Fig. 4





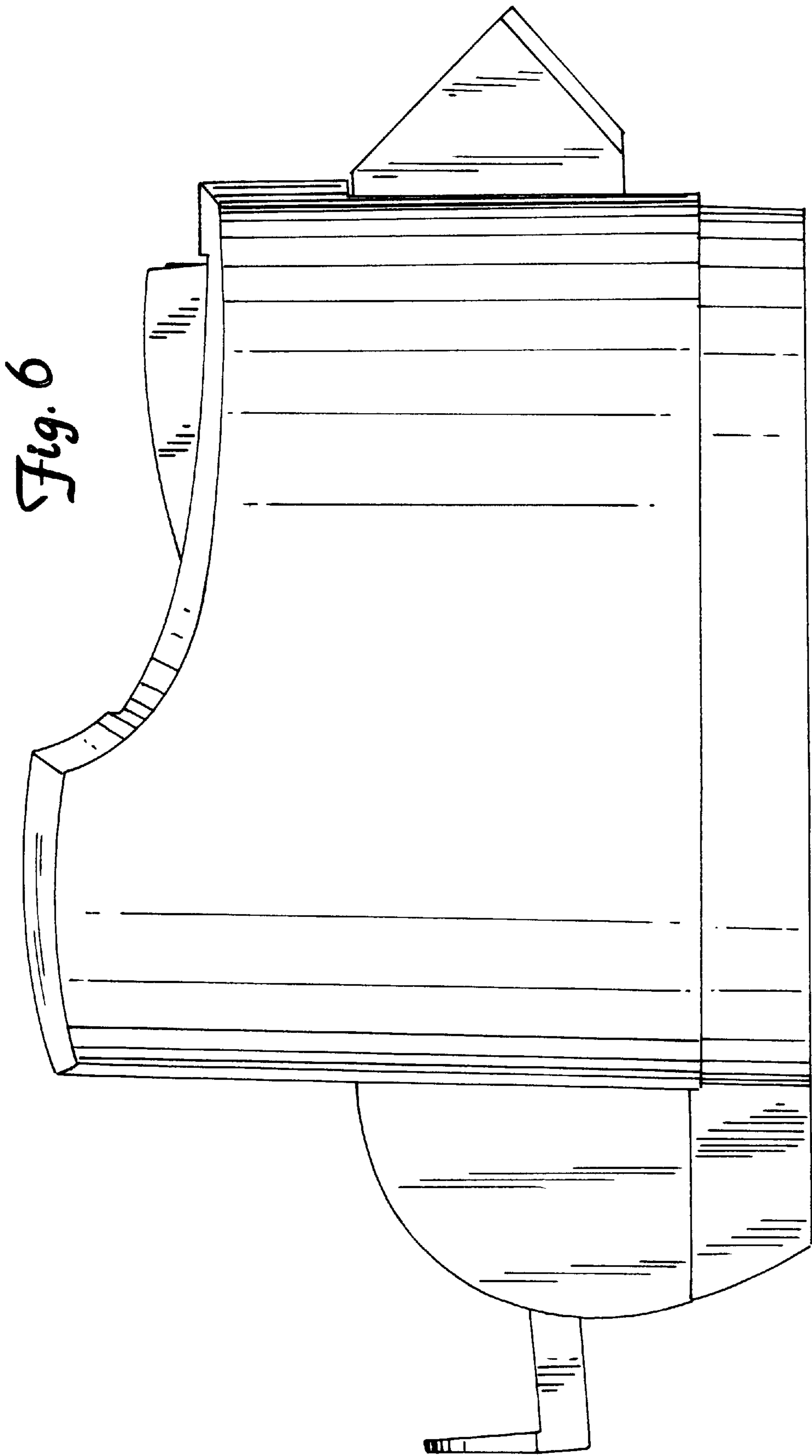


Fig. 7

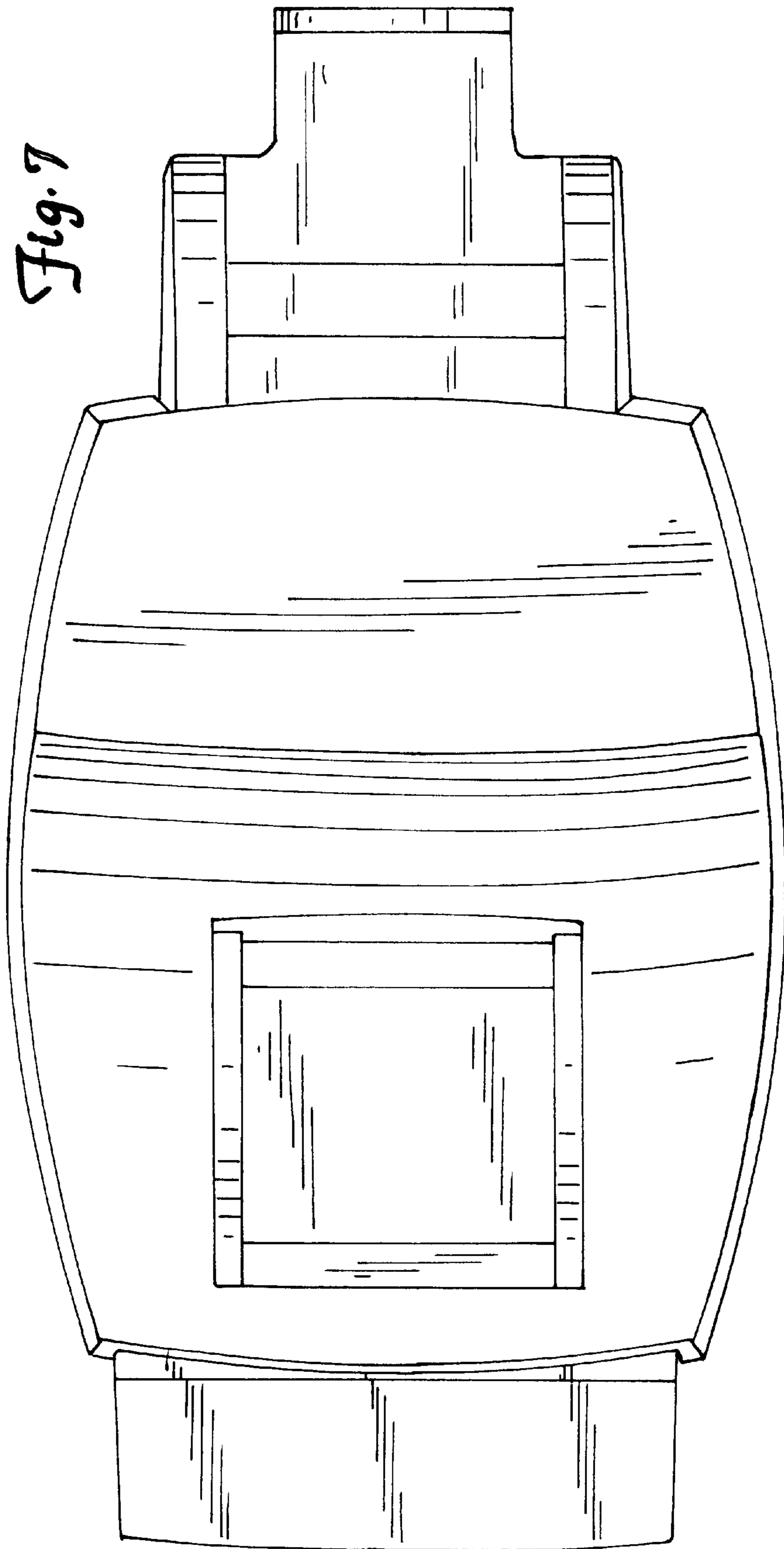


Fig. 8

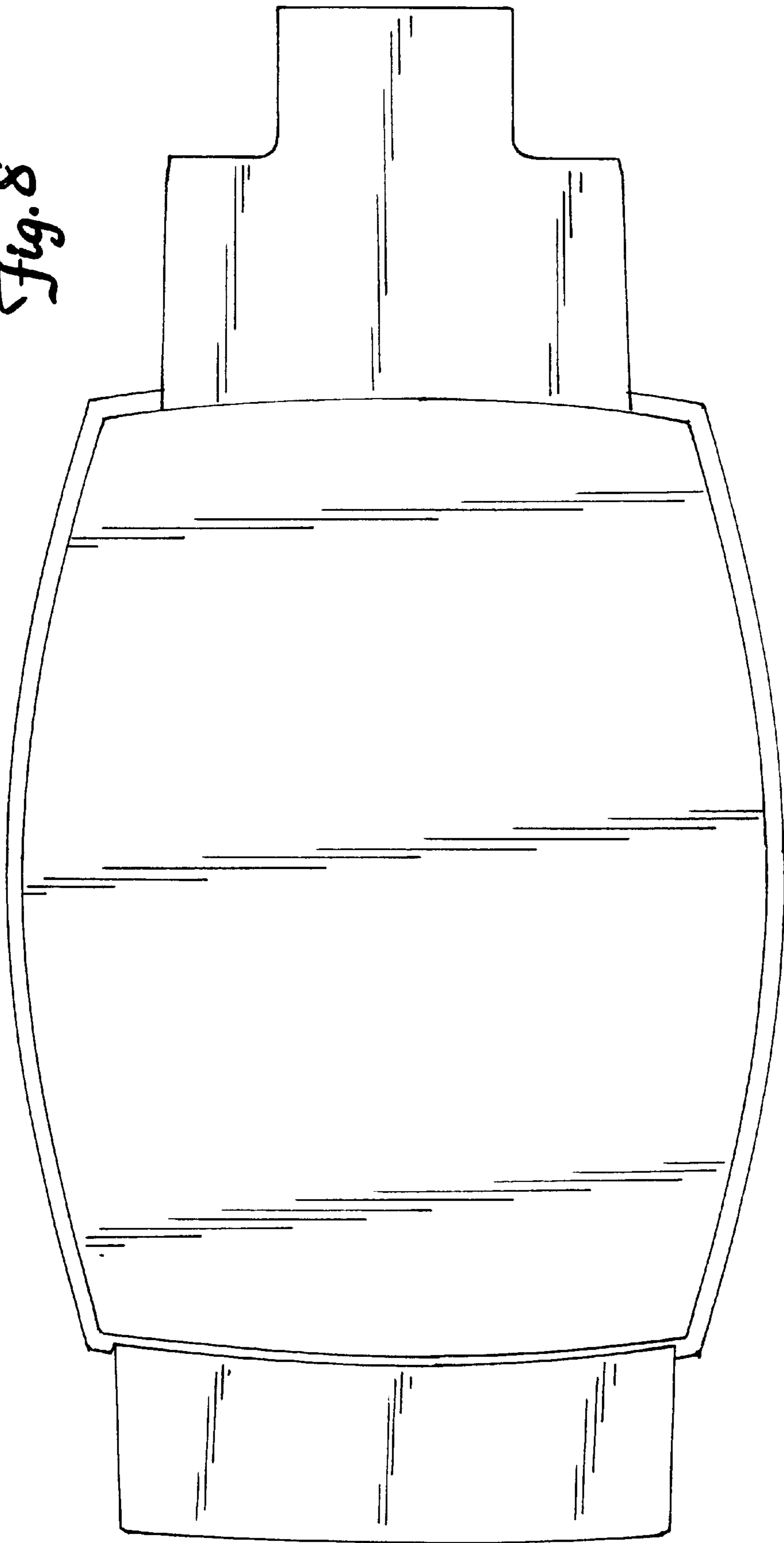


Fig. 9

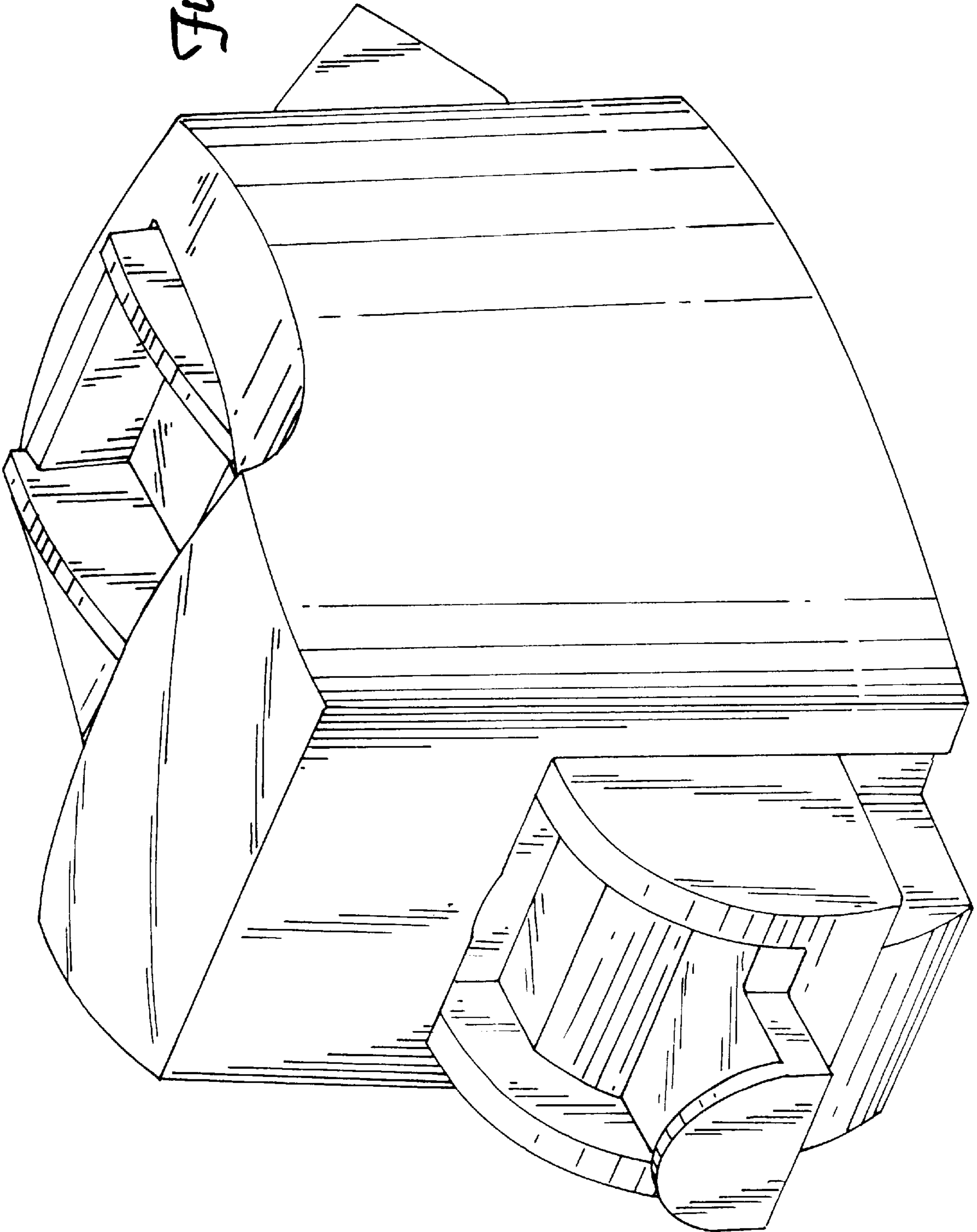


Fig. 10

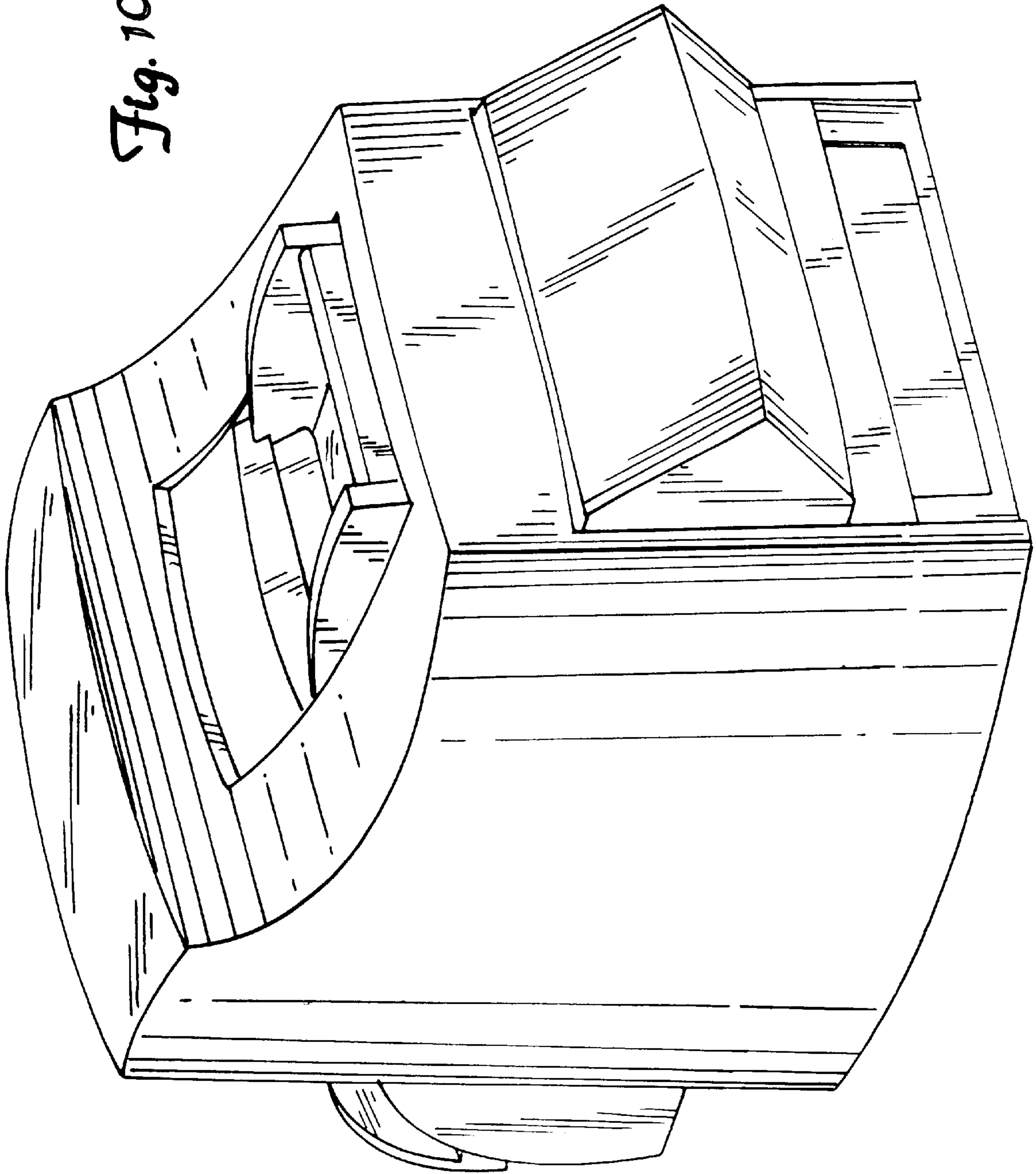


Fig. 11

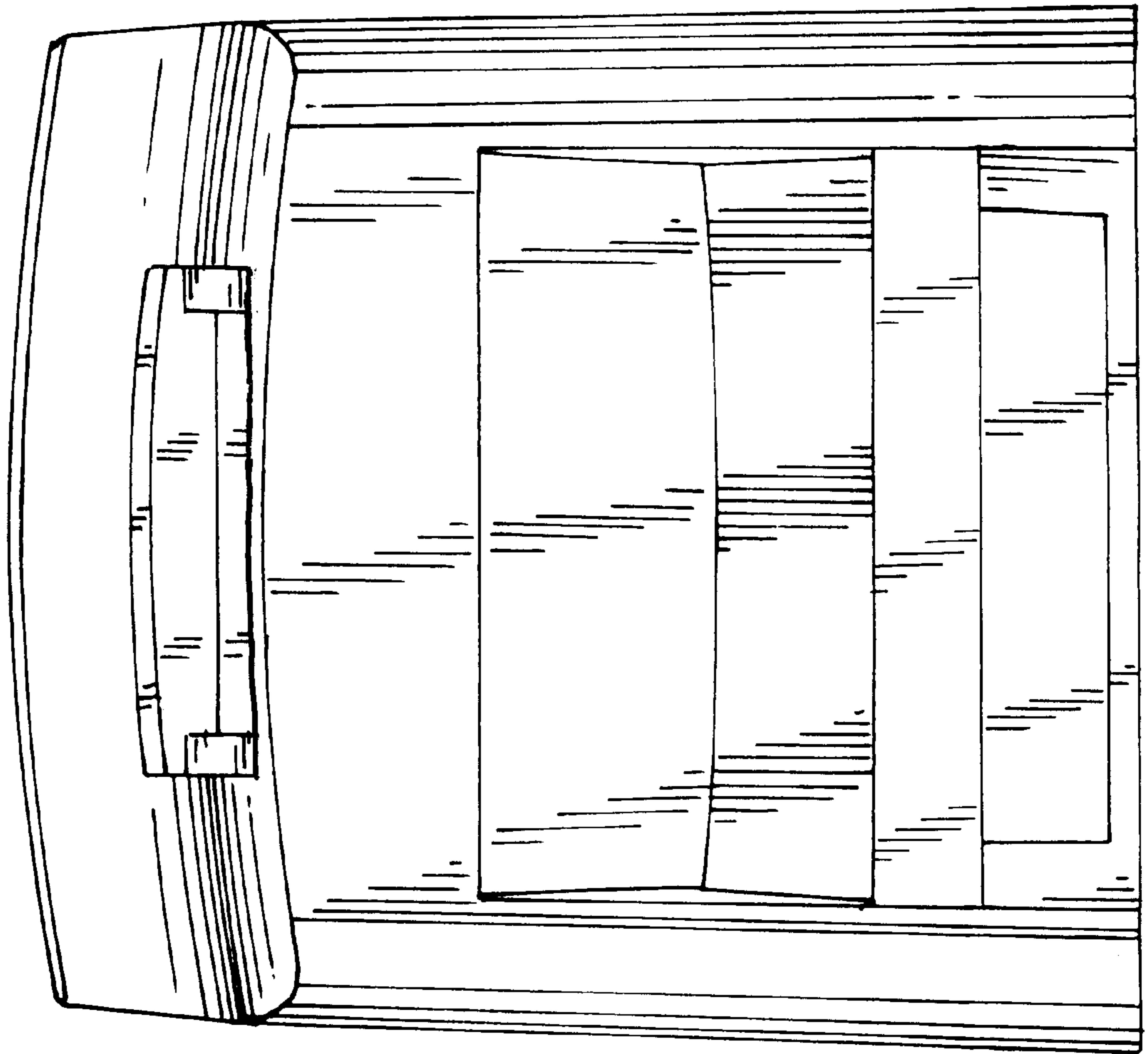
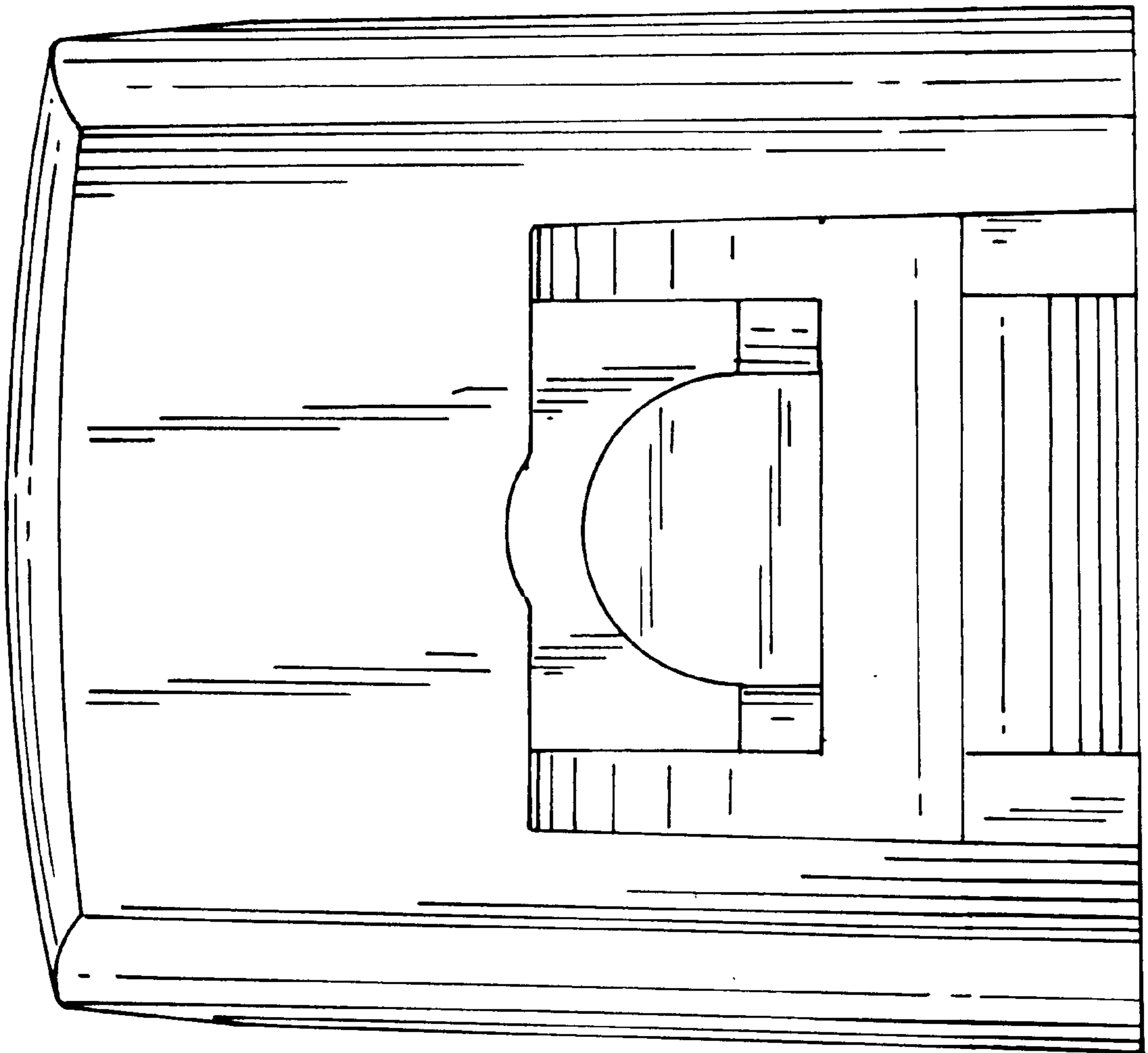


Fig. 12



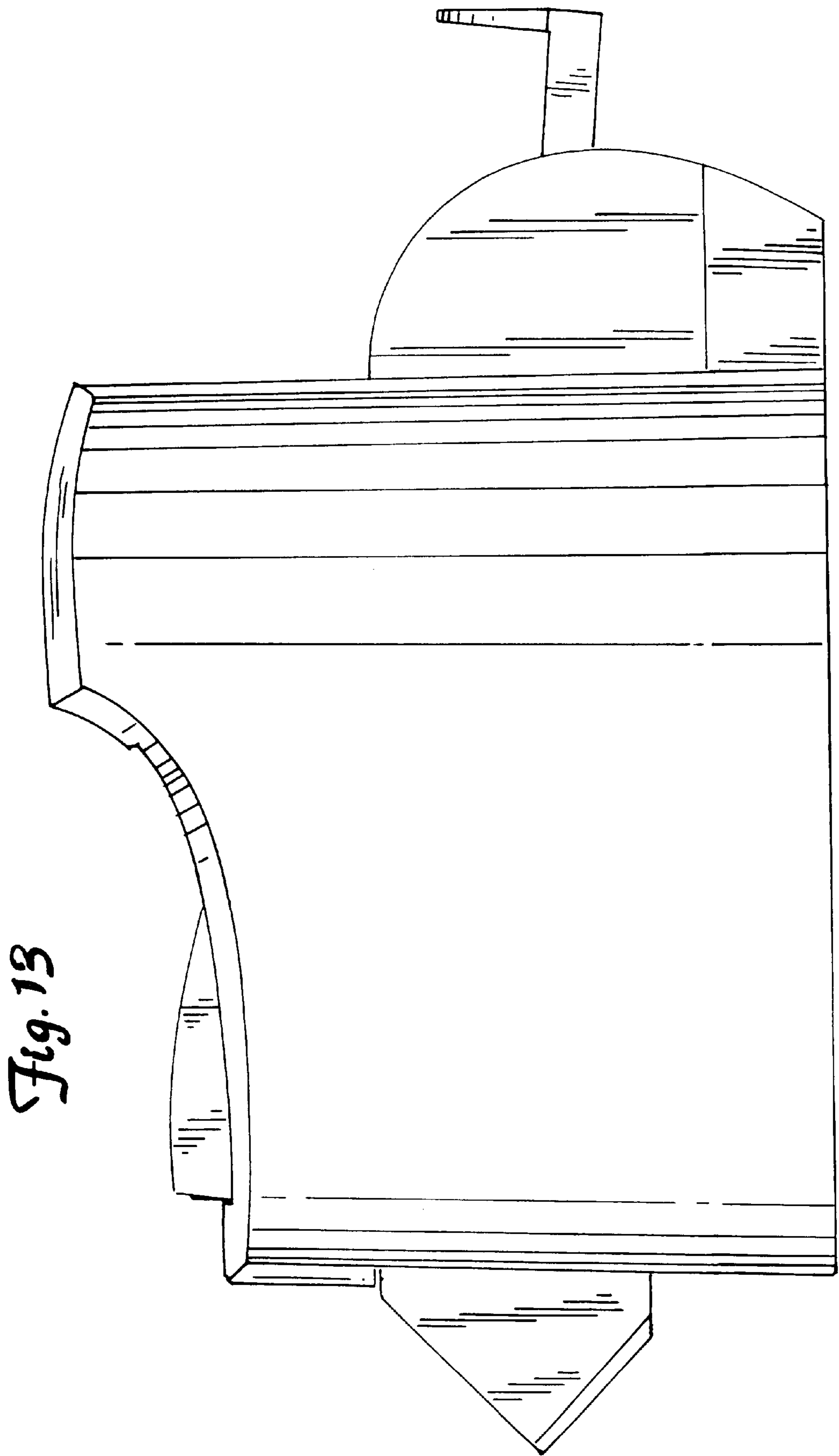


Fig. 14

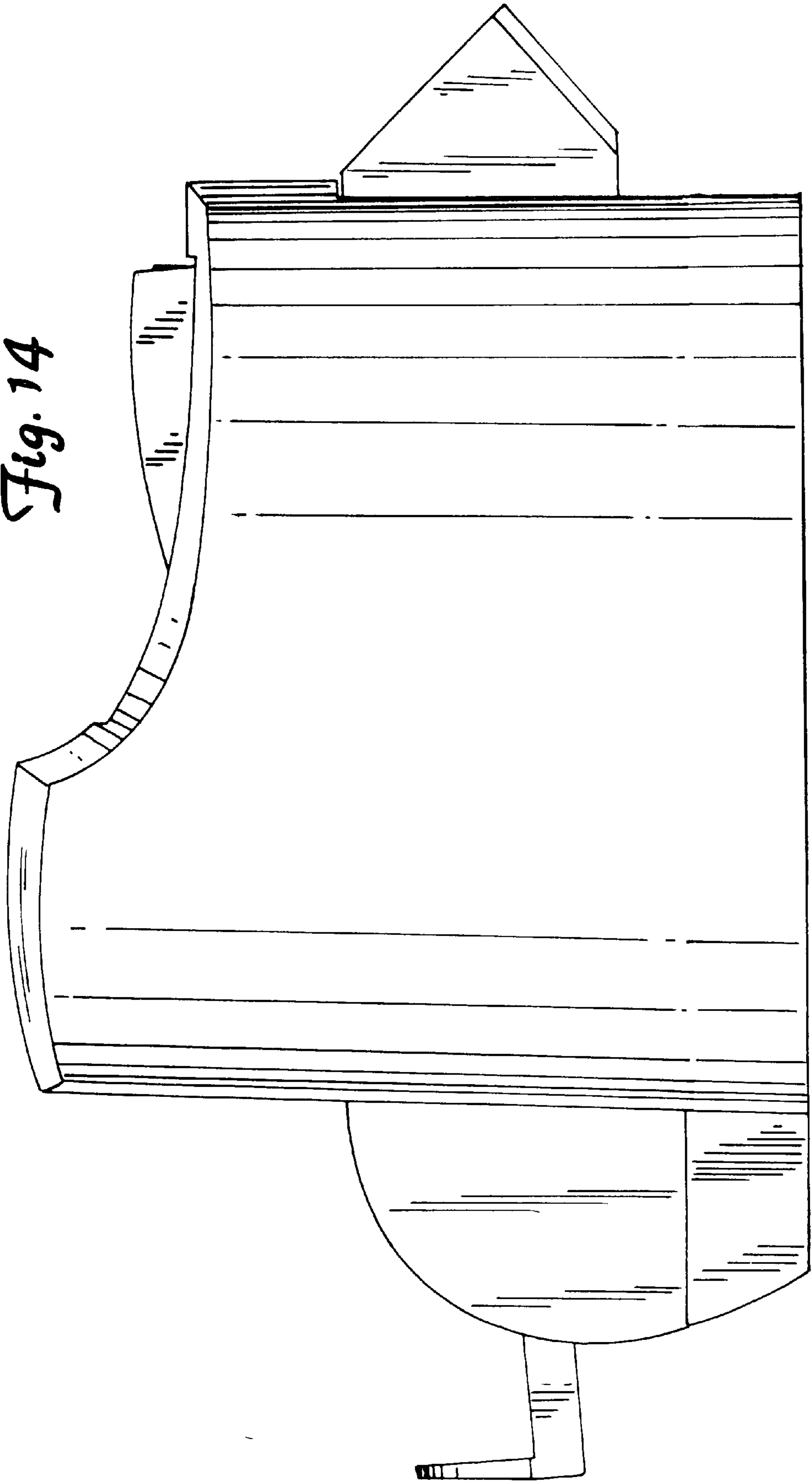


Fig. 15

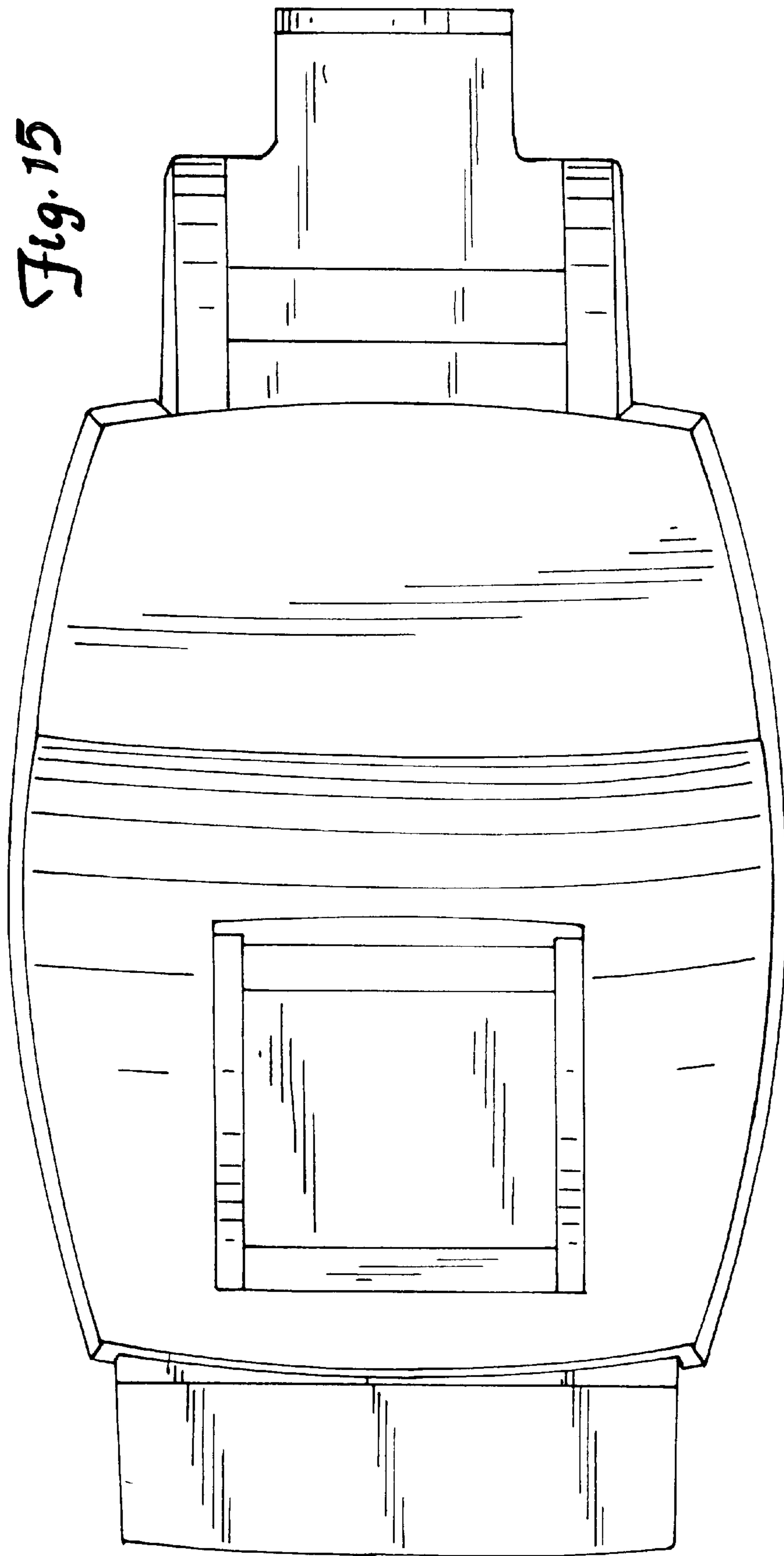


Fig. 16

