



US00D414519S

United States Patent [19]

Wang et al.

[11] Patent Number: **Des. 414,519**

[45] Date of Patent: **** Sep. 28, 1999**

- [54] **ROWING EXERCISER**
- [75] Inventors: **Leao Wang; Peter Wu**, both of
Taiping, Taiwan
- [73] Assignee: **Greenmaster Industrial Corp.**,
Taiping, Taiwan
- [**] Term: **14 Years**
- [21] Appl. No.: **29/067,249**
- [22] Filed: **Feb. 27, 1997**
- [51] **LOC (6) Cl.** **21-02**
- [52] **U.S. Cl.** **D21/195**
- [58] **Field of Search** D21/191, 194,
D21/195; 482/72, 73, 130, 57, 58, 59

4,846,461	7/1989	Robards, Jr. et al.	482/72
4,880,224	11/1989	Jonas et al.	482/72
4,974,832	12/1990	Dalebout	482/72
5,013,033	5/1991	Watterson et al.	482/72
5,072,929	12/1991	Peterson et al.	482/72
5,076,573	12/1991	Lo	482/72

Primary Examiner—Philip S. Hyder

[57] CLAIM

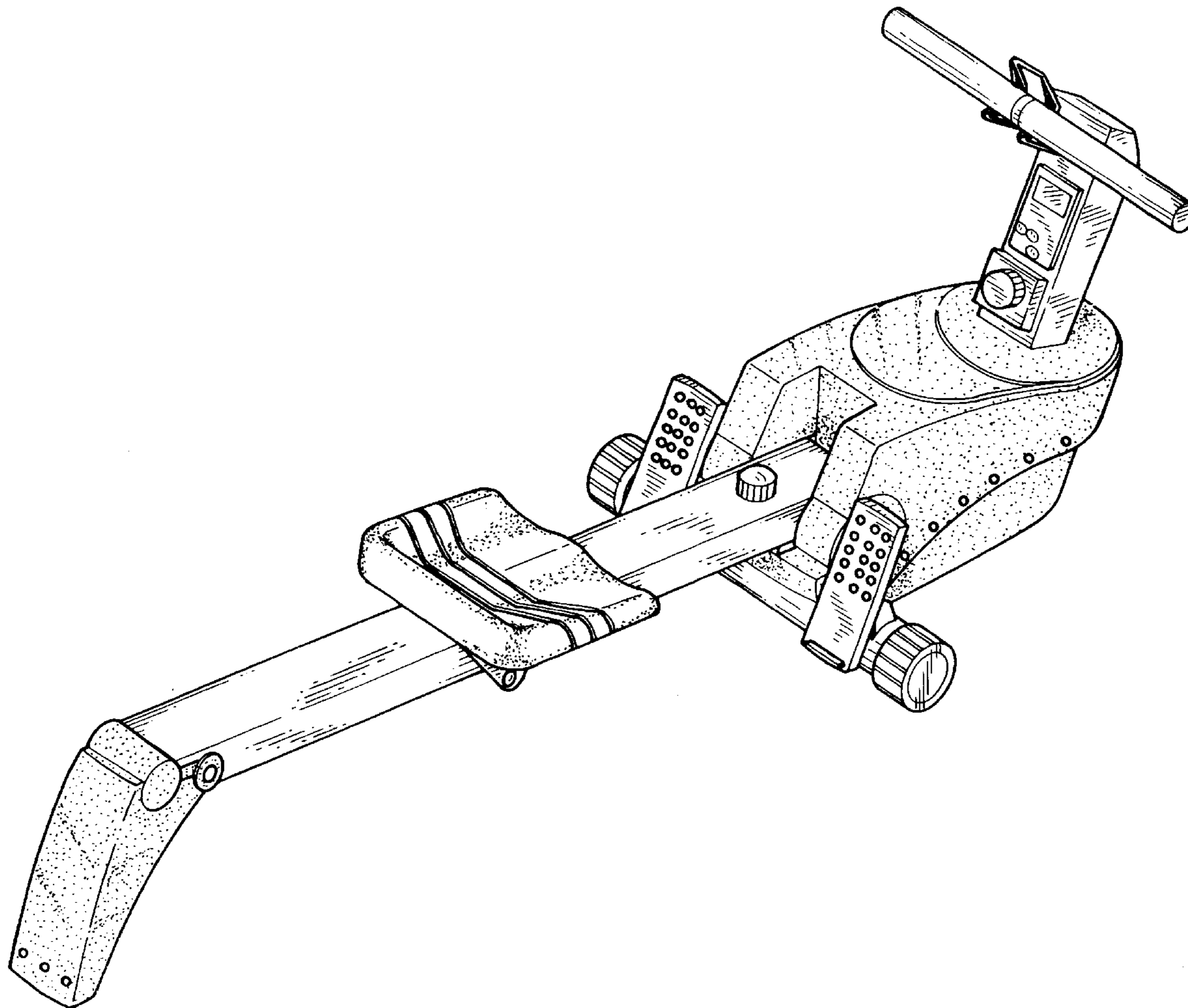
The ornamental design for a rowing exerciser, as shown and described.

DESCRIPTION

FIG. 1 is a perspective view of a rowing exerciser according to our design;
 FIG. 2 is a front elevational view thereof, wherein the rear view is a mirror image of FIG. 2;
 FIG. 3 is a left side elevational view thereof;
 FIG. 4 is a right side elevational view thereof;
 FIG. 5 is a top plan view thereof; and,
 FIG. 6 is a bottom plan view thereof.

1 Claim, 3 Drawing Sheets

- [56] **References Cited**
- U.S. PATENT DOCUMENTS
- D. 324,709 3/1992 Lehtonen D21/195
- D. 337,799 7/1993 Cutter et al. D21/191



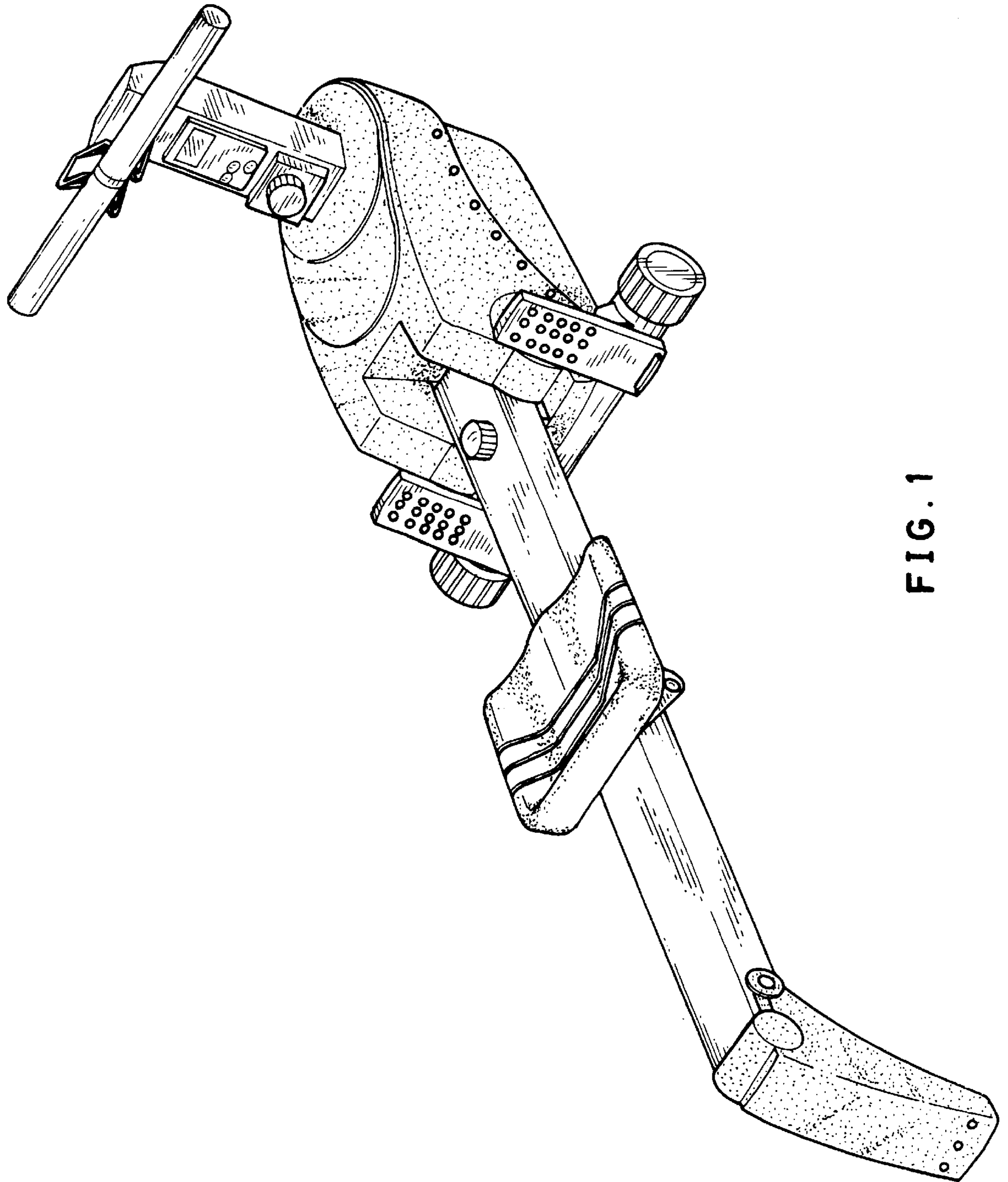


FIG. 1

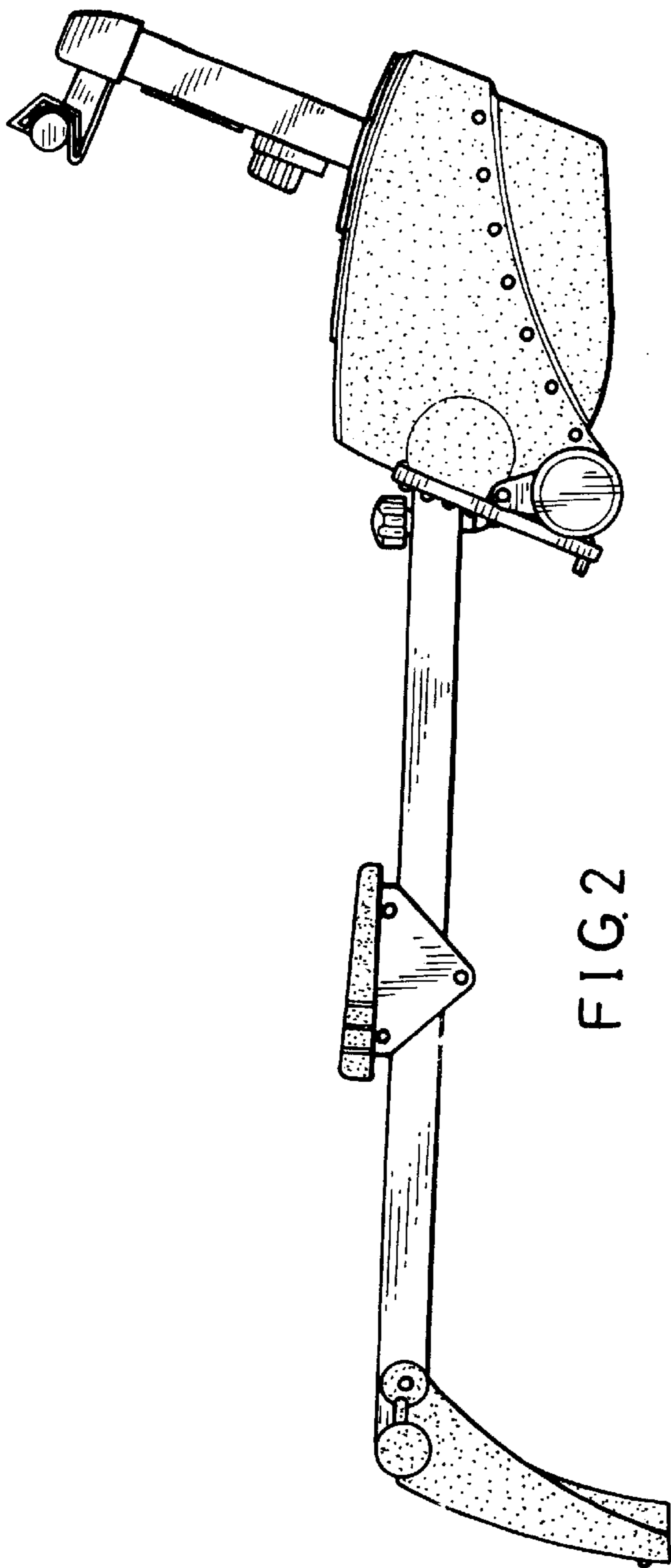


FIG. 2

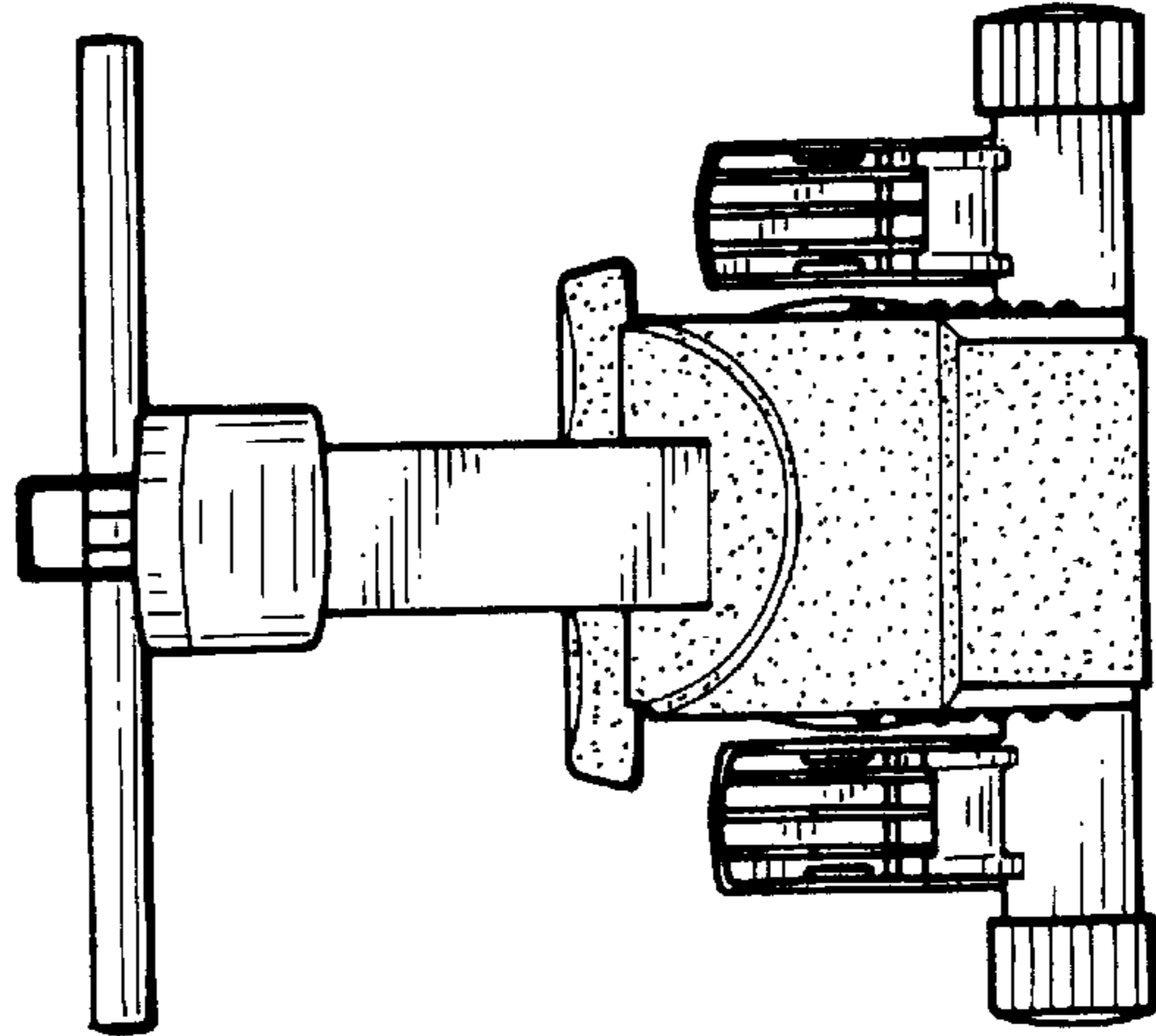


FIG. 4

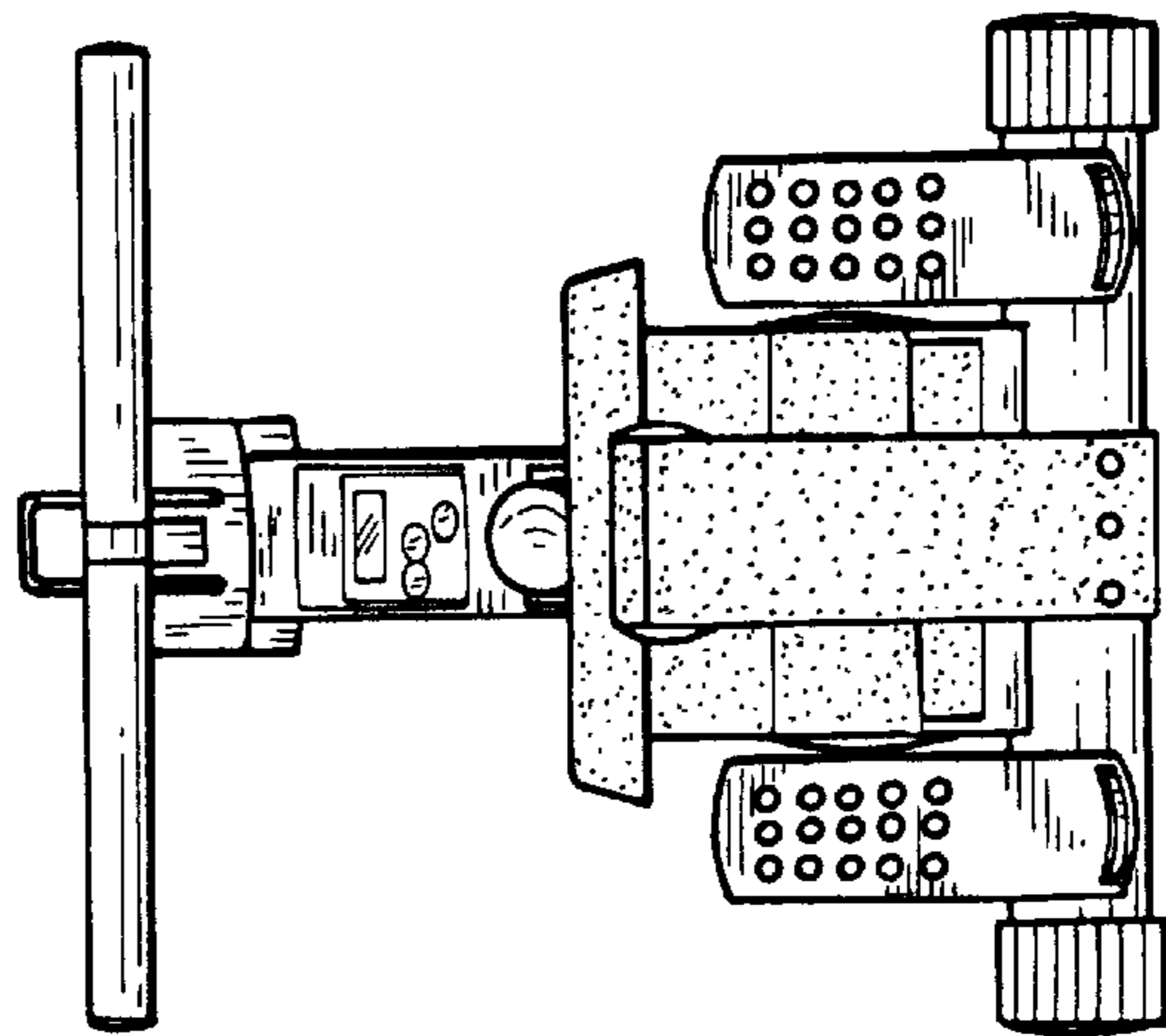


FIG. 3

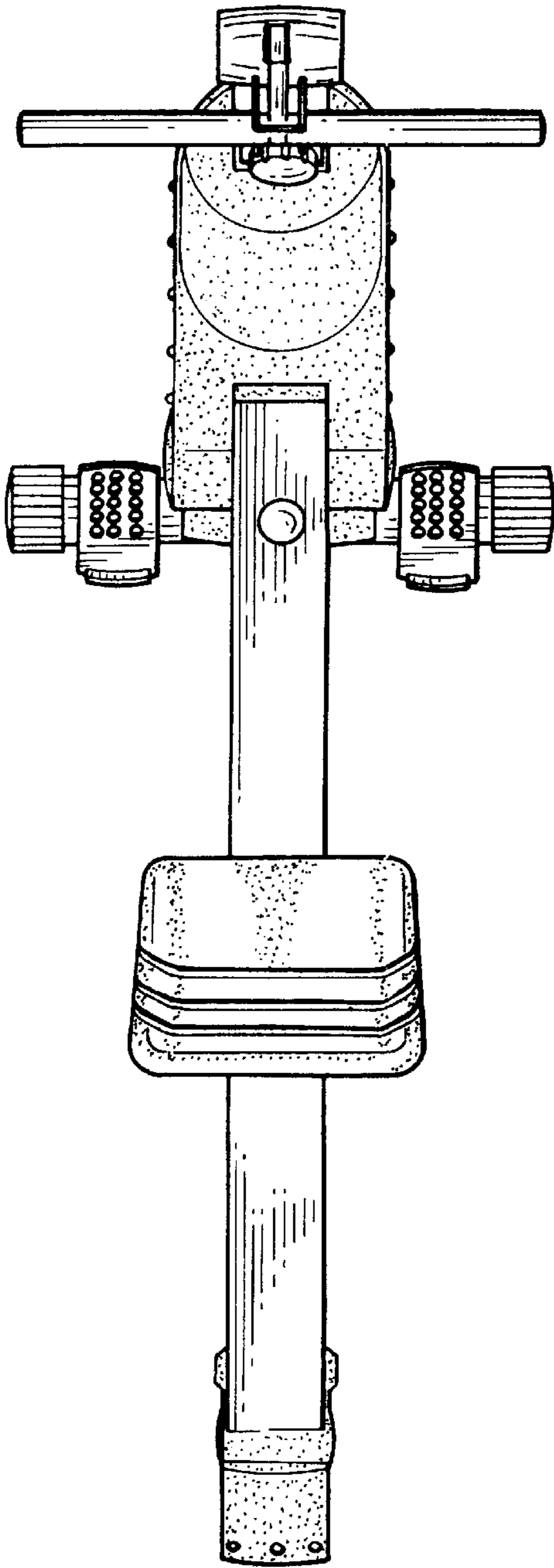


FIG. 5

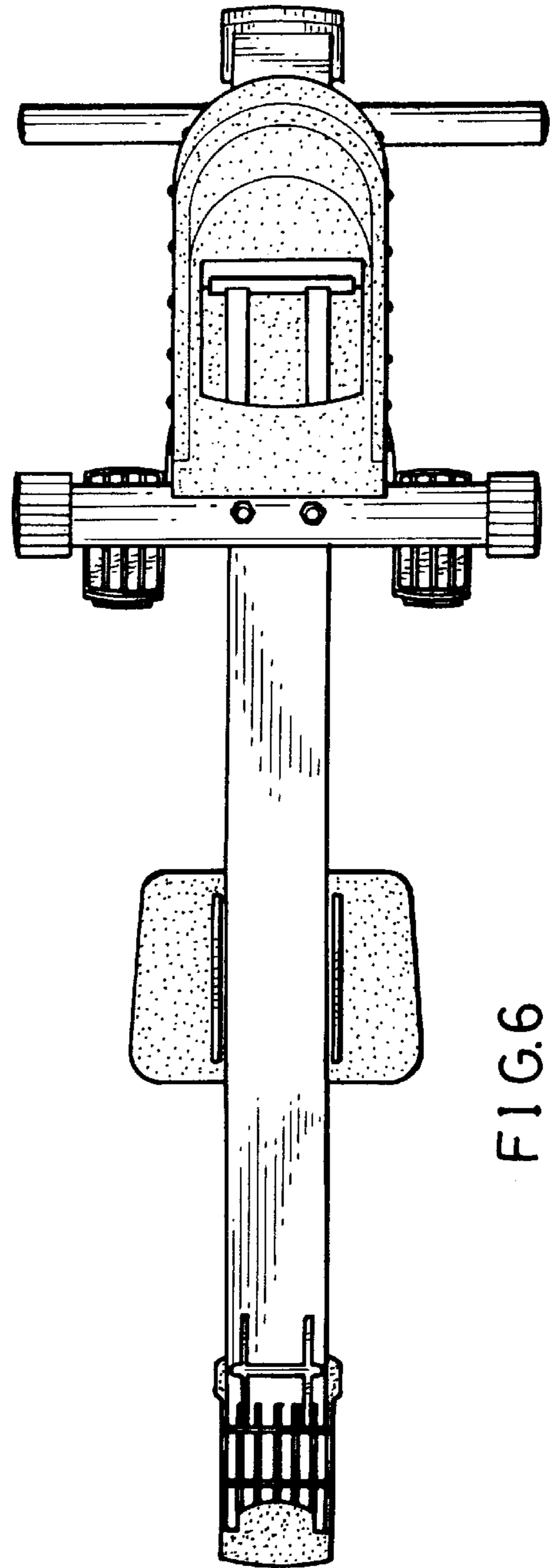


FIG. 6