



US00D414518S

United States Patent [19]

Wang et al.

[11] **Patent Number: Des. 414,518**

[45] **Date of Patent: ** Sep. 28, 1999**

[54] **EXERCISE TREADMILL**

[75] Inventors: **Leao Wang; Peter Wu**, both of Taiping, Taiwan

[73] Assignee: **Greenmaster Industrial Corp.**, Taichung Hsien, Taiwan

[**] Term: **14 Years**

[21] Appl. No.: **29/067,374**

[22] Filed: **Feb. 27, 1997**

[51] **LOC (6) Cl.** **21-02**

[52] **U.S. Cl.** **D21/192**

[58] **Field of Search** D21/191, 192, D21/194; 482/51, 52, 53, 54, 66, 74

[56] **References Cited**

U.S. PATENT DOCUMENTS

- D. 289,668 5/1987 Gremonprez et al. D21/192
- D. 325,951 5/1992 Johnson D21/192

- D. 355,227 2/1995 Summers et al. D21/192
- D. 369,843 5/1996 Wang et al. D21/192
- D. 372,508 8/1996 Clem D21/192
- D. 374,260 10/1996 Snyderman et al. D21/192

Primary Examiner—Philip S. Hyder

[57] **CLAIM**

The ornamental design for a exercise treadmill, as shown and described.

DESCRIPTION

FIG. 1 is a perspective view of a exercise treadmill according to our design;
 FIG. 2 is a front elevational view thereof;
 FIG. 3 is a rear elevational view thereof;
 FIG. 4 is a left side elevational view thereof;
 FIG. 5 is a right side elevational view thereof;
 FIG. 6 is a top plan view thereof; and,
 FIG. 7 is a bottom plan view thereof.

1 Claim, 4 Drawing Sheets

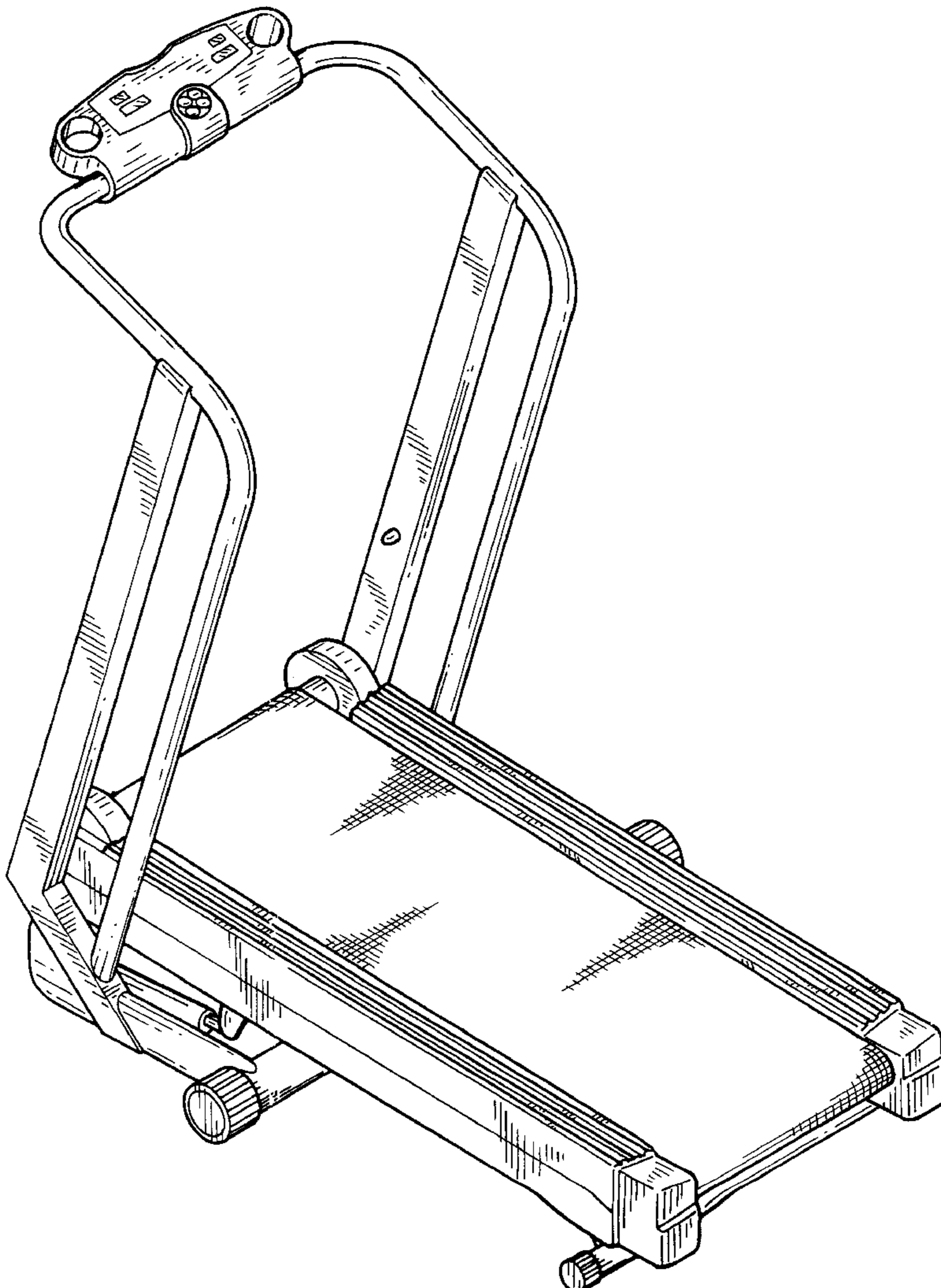
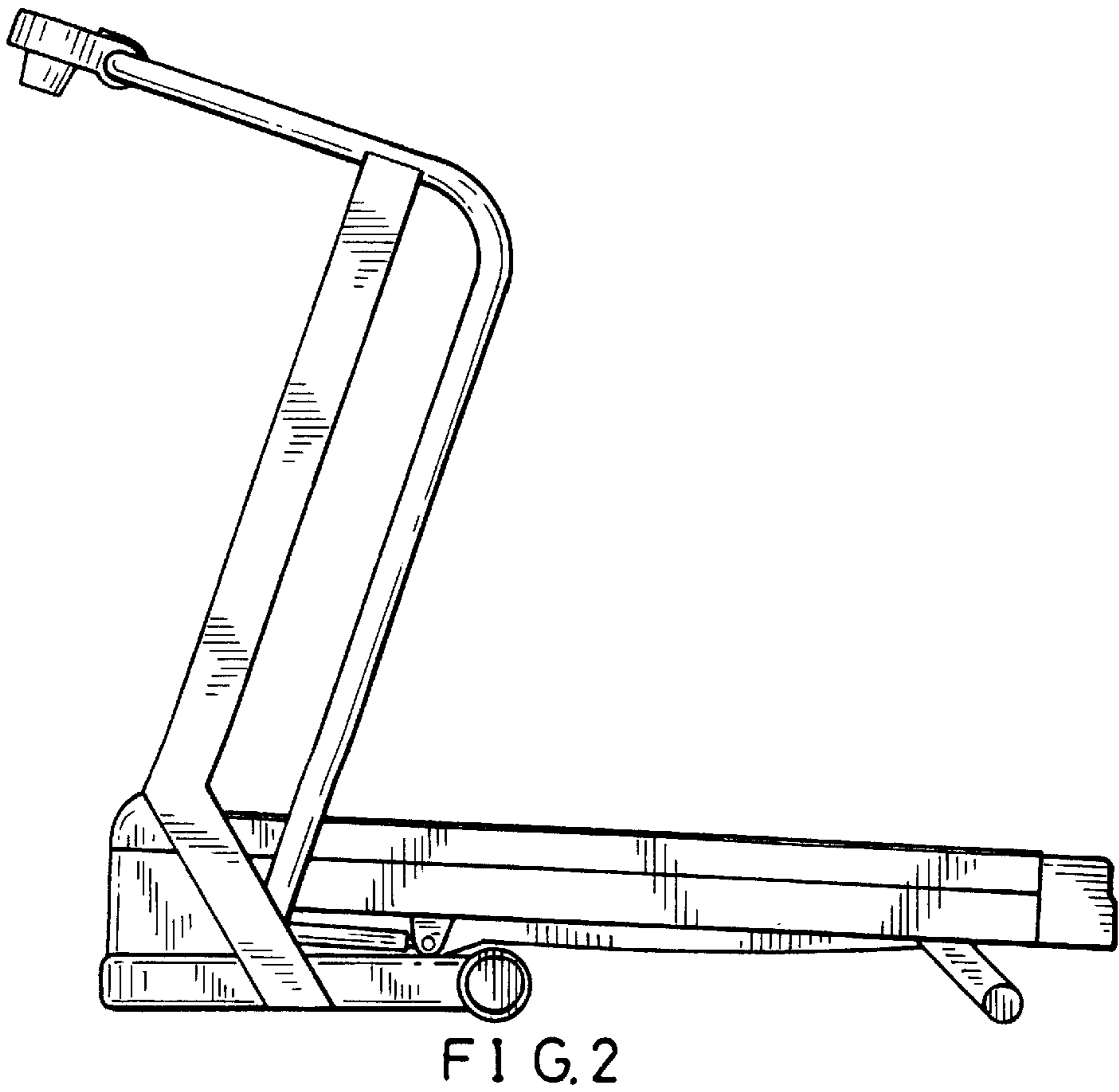
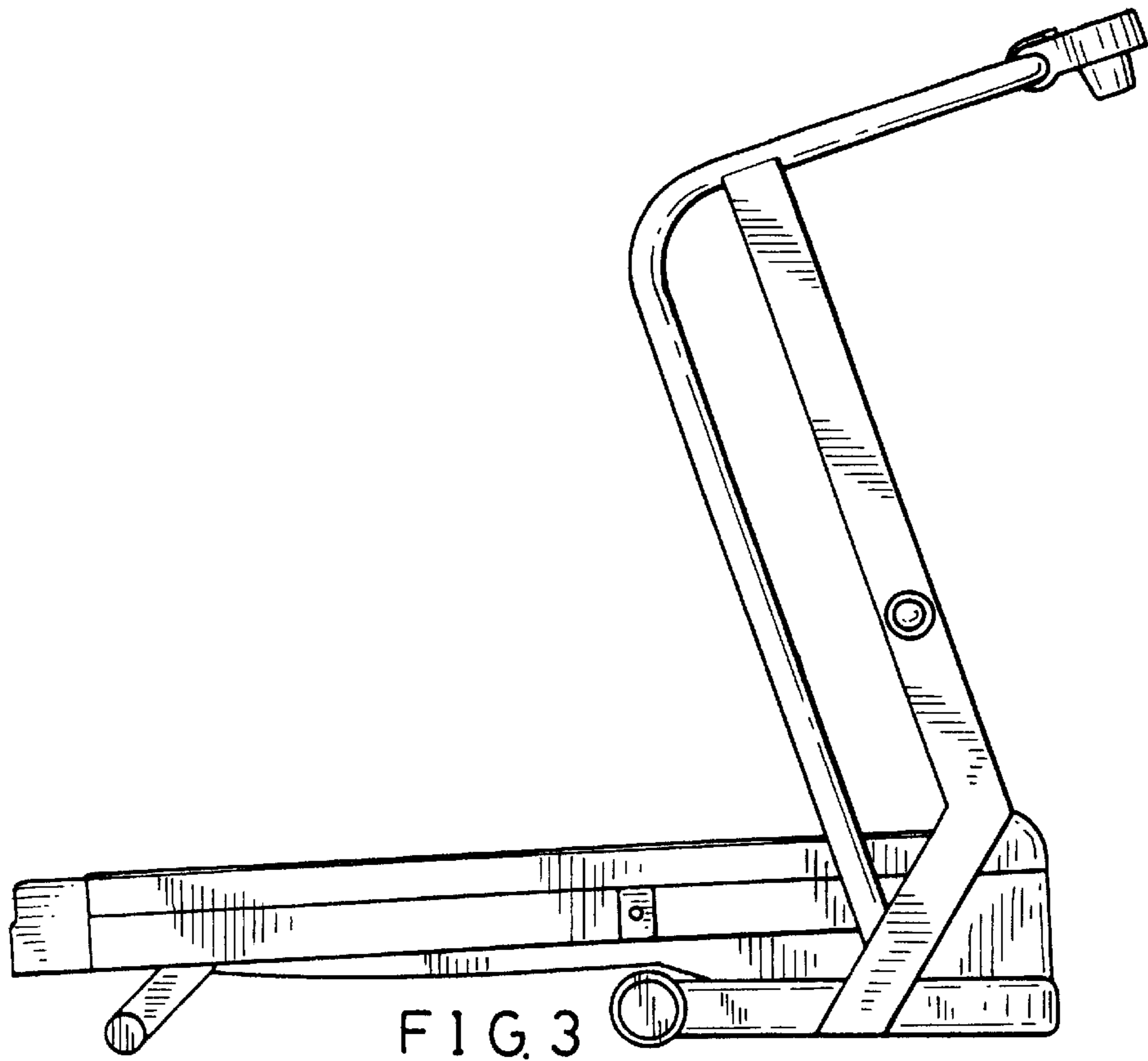




FIG. 1



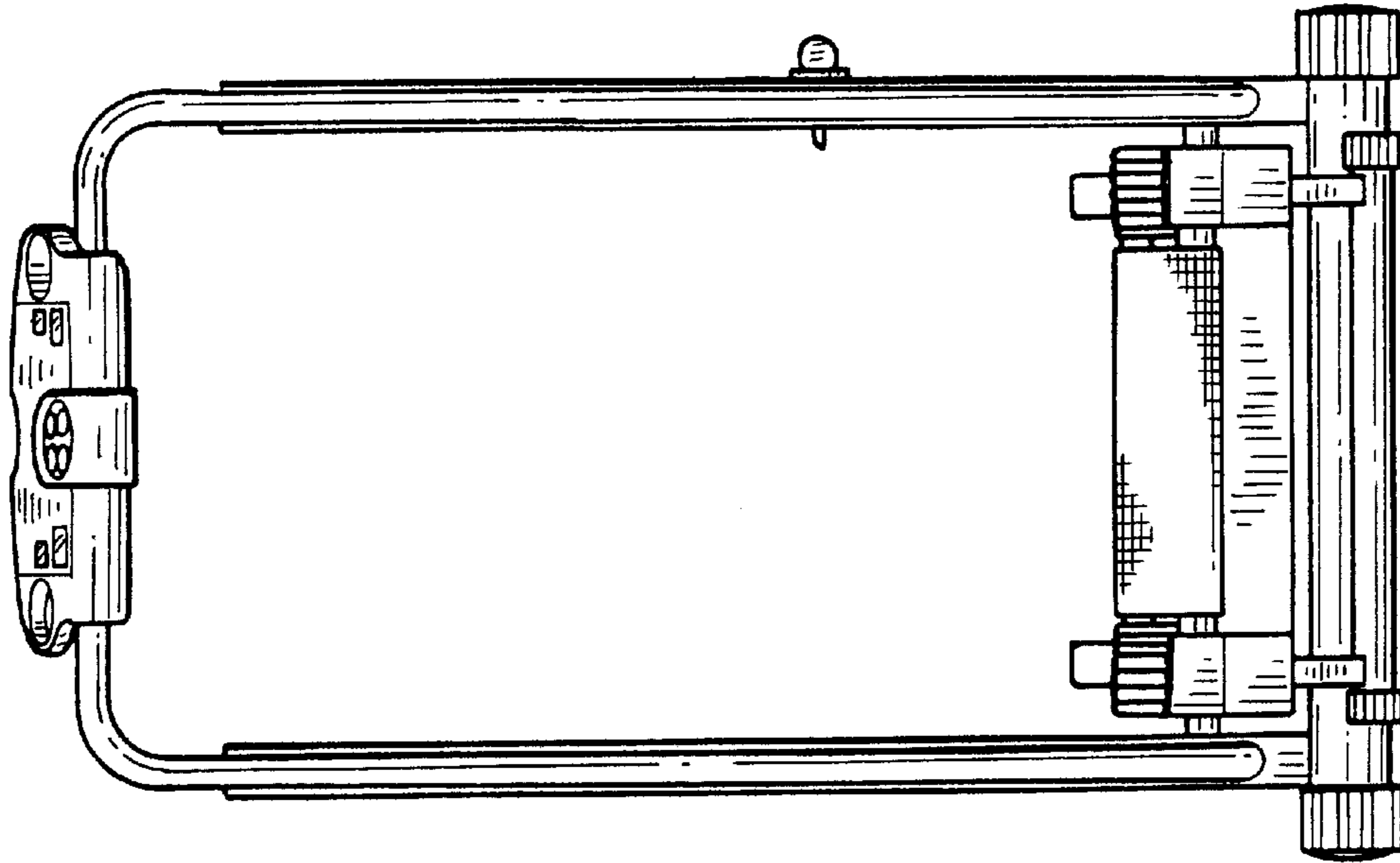


FIG. 5

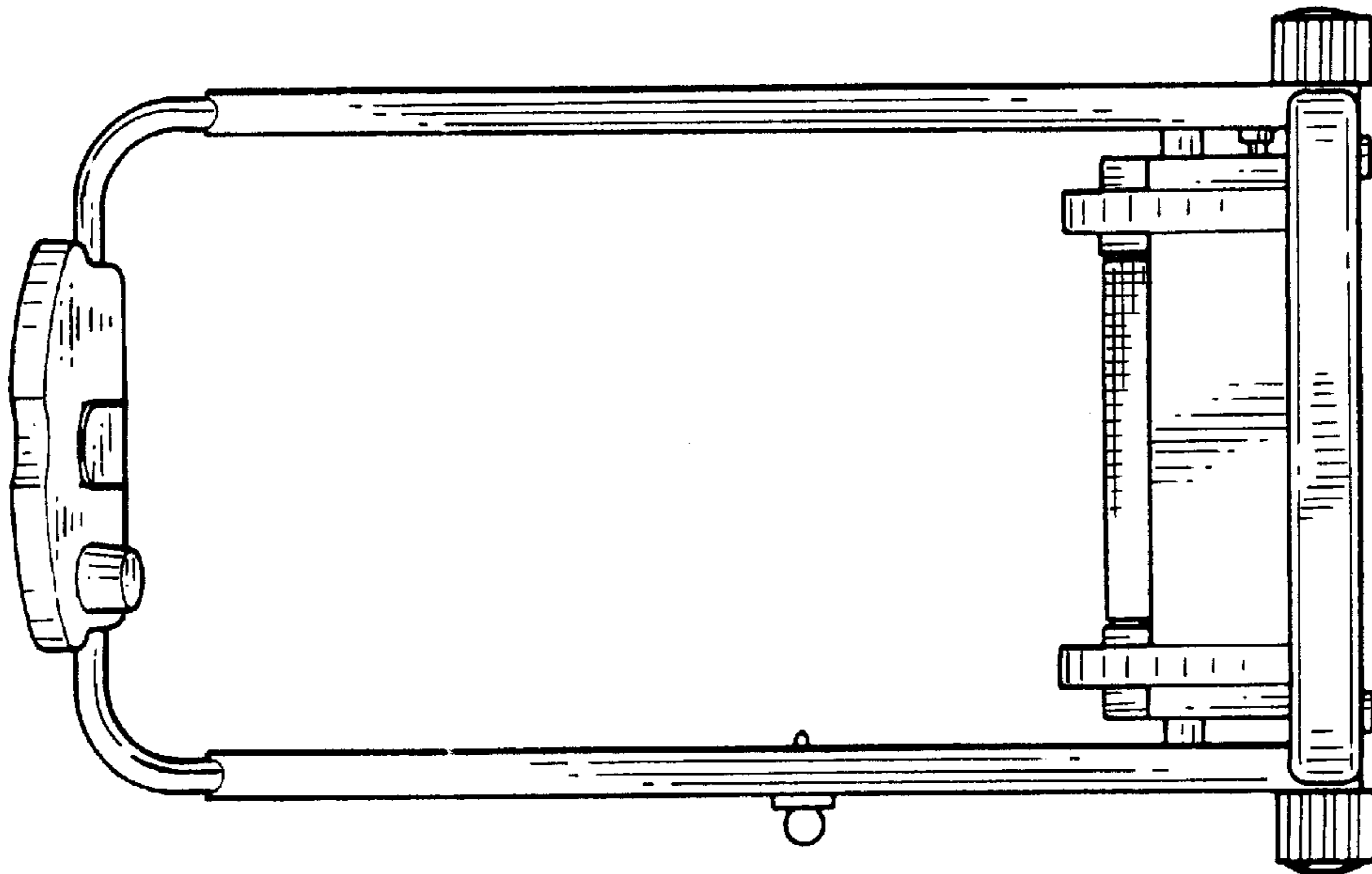


FIG. 4

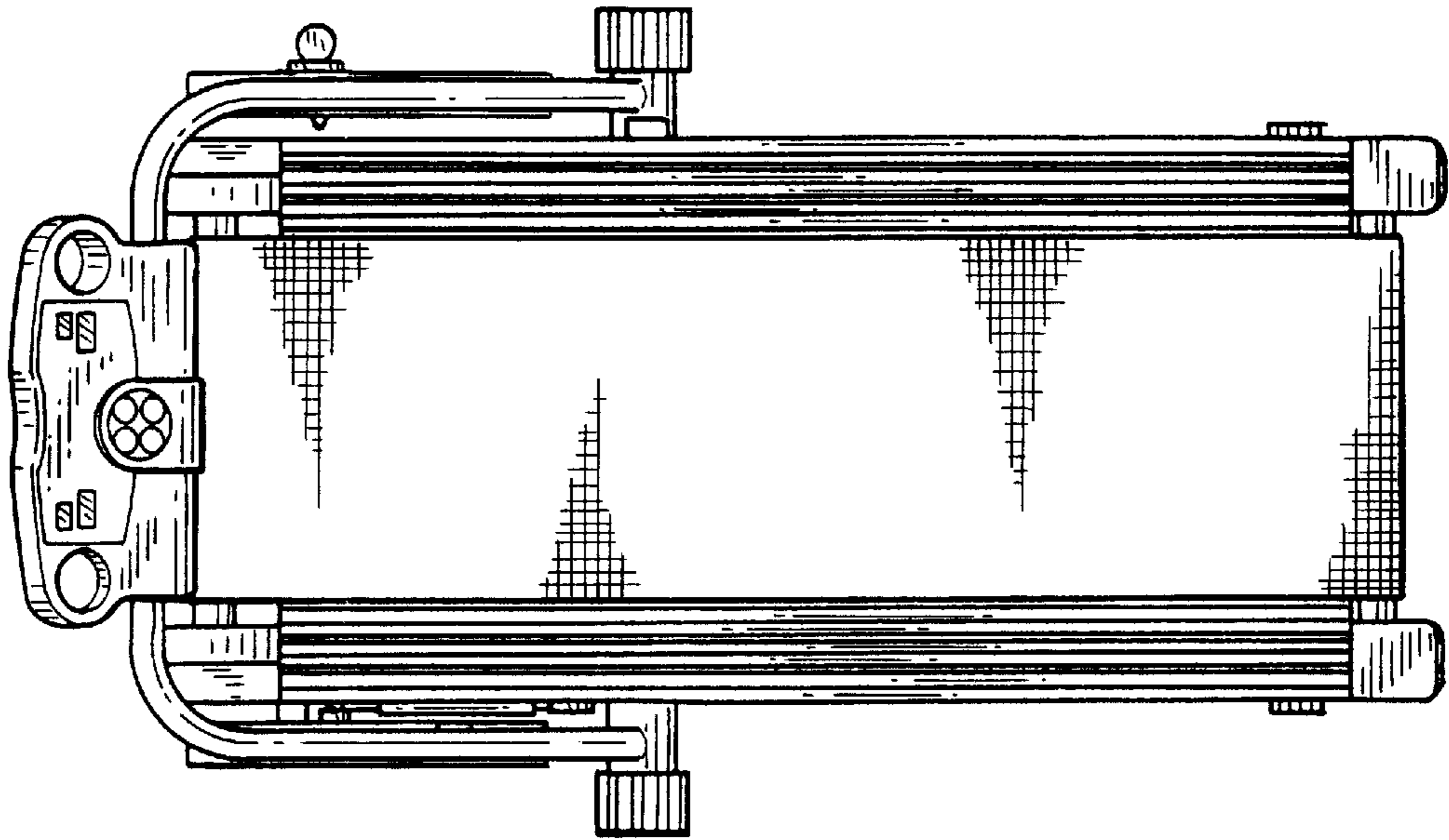


FIG. 6

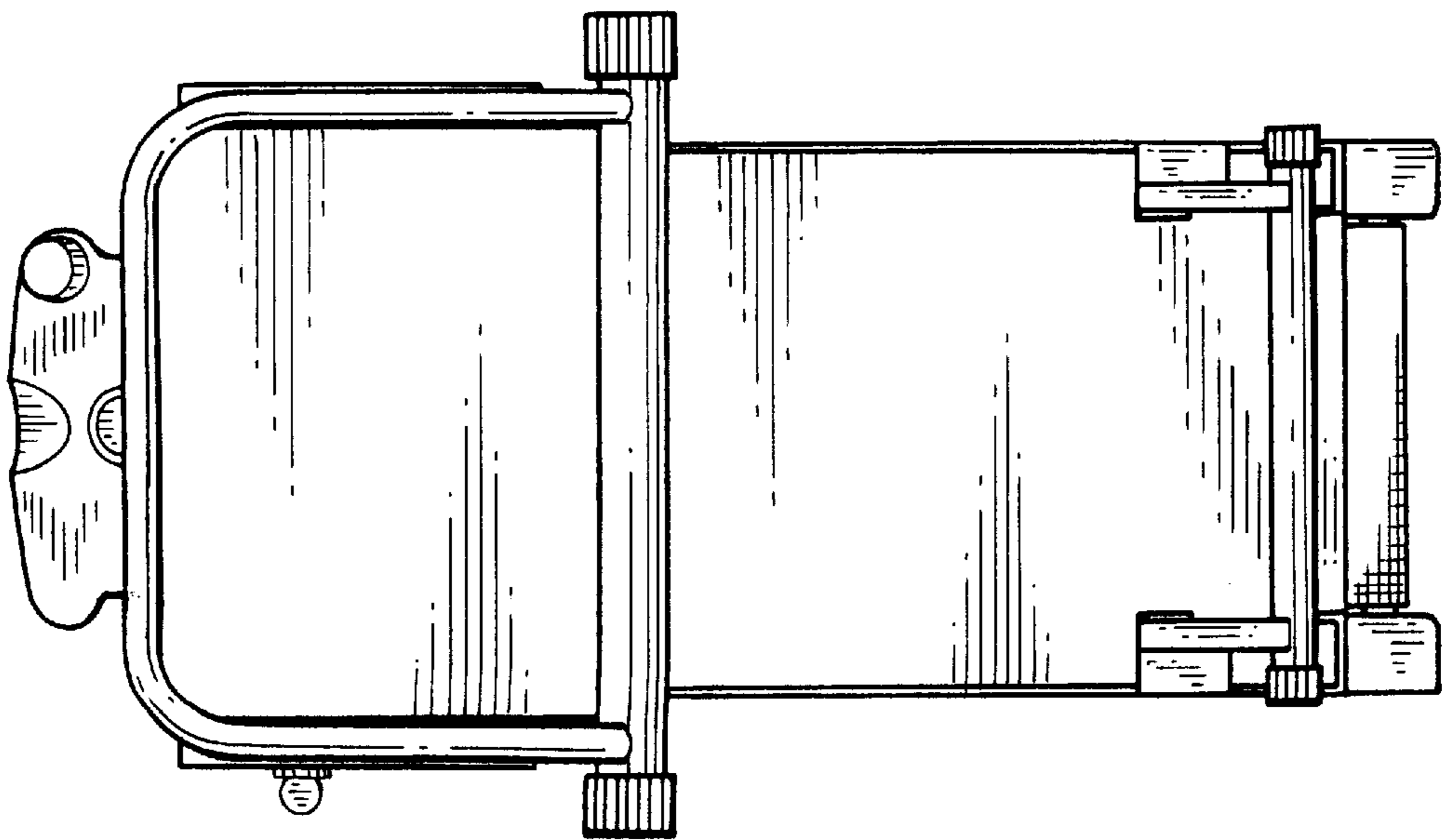


FIG. 7