



US00D414514S

United States Patent [19] Haas

[11] Patent Number: Des. 414,514

[45] Date of Patent: ** Sep. 28, 1999

[54] DEVOTIONAL AND LEARNING DEVICE

[75] Inventor: Gordon L. Haas, Lemon Grove, Calif.

[73] Assignee: Innovative Inventions, Ltd., Kilauea, Hi.

[**] Term: 14 Years

[21] Appl. No.: 29/097,759

[22] Filed: Dec. 14, 1998

D. 79,494	9/1929	Goldberg	D99/25
D. 174,413	4/1955	Campbell	D11/122
D. 179,521	1/1957	Naimon	D11/122 X
D. 252,387	7/1979	Lawrence	D99/25 X
D. 320,227	9/1991	Peters	D6/432 X
D. 379,276	5/1997	Shih	D6/445 X
D. 388,826	1/1998	Jones-Fenleigh et al.	D19/59
D. 408,383	4/1999	Carter et al.	D14/100 X
2,310,738	2/1943	Johnston	434/245
4,493,652	1/1985	Mike	434/245
5,505,622	4/1996	Bosmani	434/245 X
5,785,528	7/1998	Jones-Fenleigh et al.	434/371 X

Related U.S. Application Data

[63] Continuation-in-part of application No. 08/928,830, Sep. 12, 1997.

[51] LOC (6) Cl. 19-07

[52] U.S. Cl. D19/60; D19/59; D99/25; D11/122

[58] Field of Search D6/432, 445; D11/121, D11/122; D14/100, 106; D19/59, 60, 62, 64, 52, 35, 36, 99, 100; 434/308-310, 314, 317, 319, 371, 245; 345/112, 131, 133, 418, 507, 901, 905

References Cited

U.S. PATENT DOCUMENTS

D. 77,239 12/1928 Kaim D99/25

Primary Examiner—Martie K. Holtje
Attorney, Agent, or Firm—William Patrick Waters

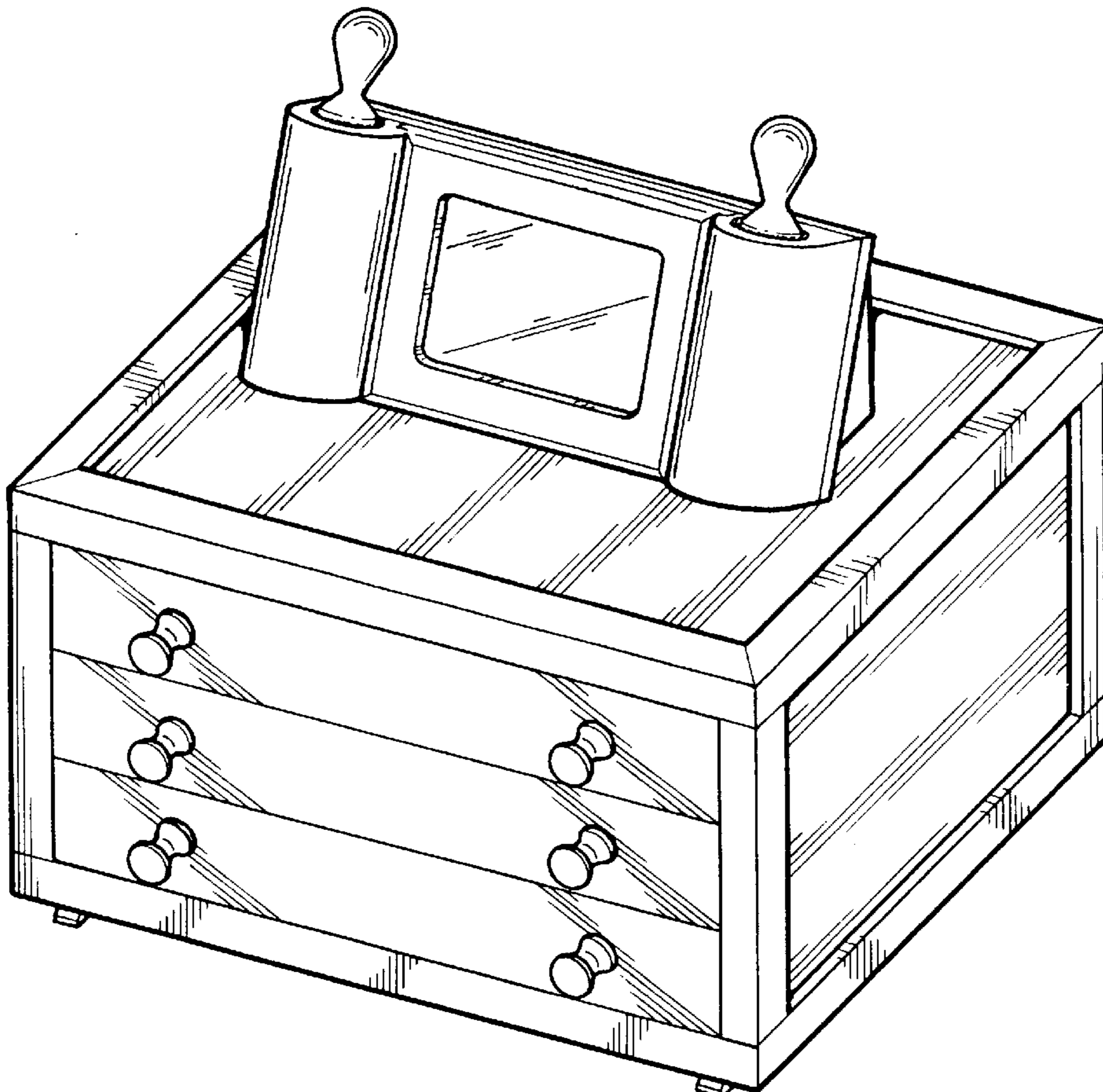
[57] CLAIM

The ornamental design for a devotional and learning device, as shown.

DESCRIPTION

FIG. 1 is a front perspective view of a devotional and learning device showing my new design; FIG. 2 is a front elevational view thereof; FIG. 3 is a right side elevational view thereof; FIG. 4 is a left side elevational view thereof; FIG. 5 is a bottom view thereof; FIG. 6 is a top plan view thereof; and, FIG. 7 is a rear elevational view thereof.

1 Claim, 3 Drawing Sheets



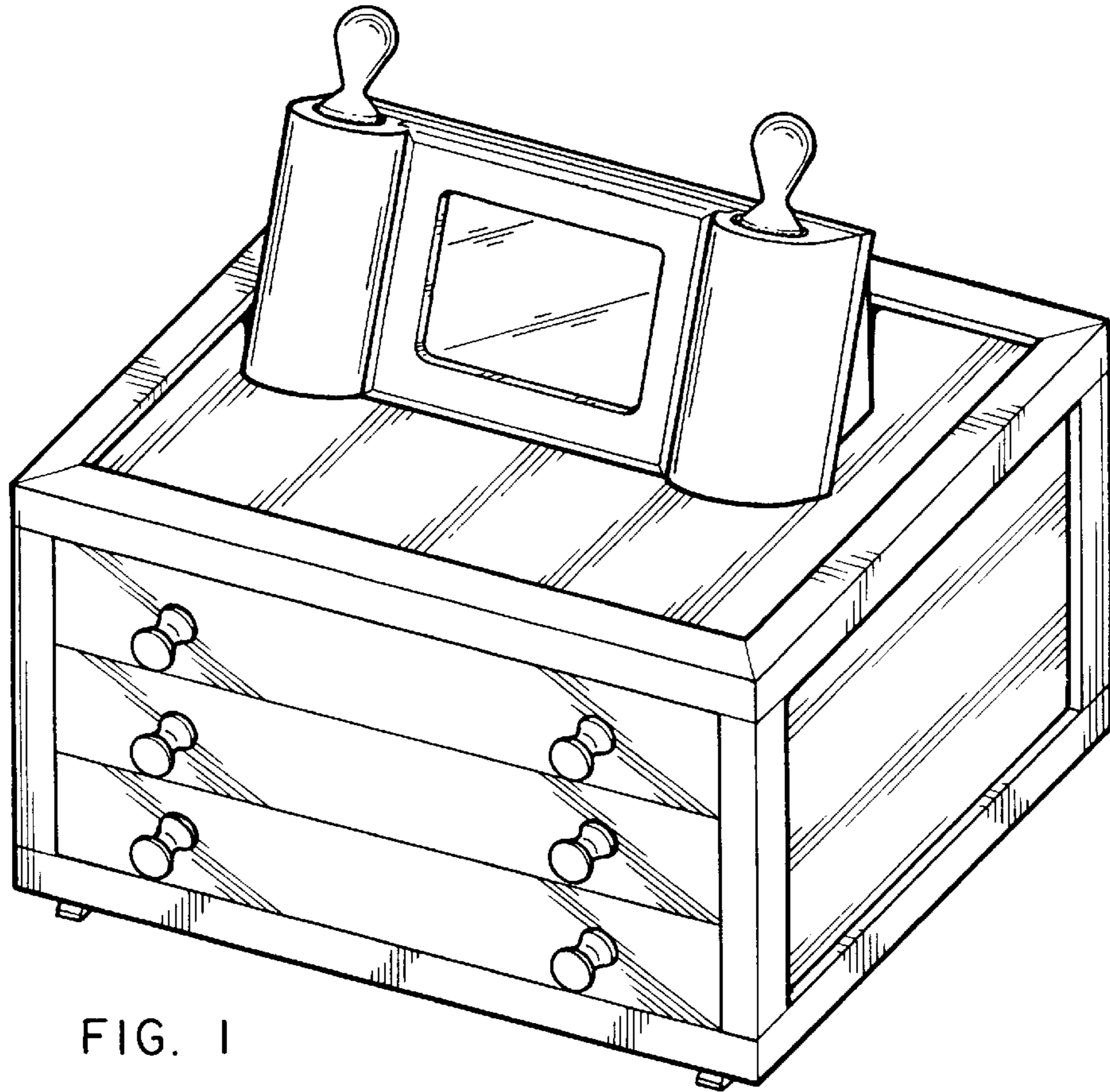


FIG. 1

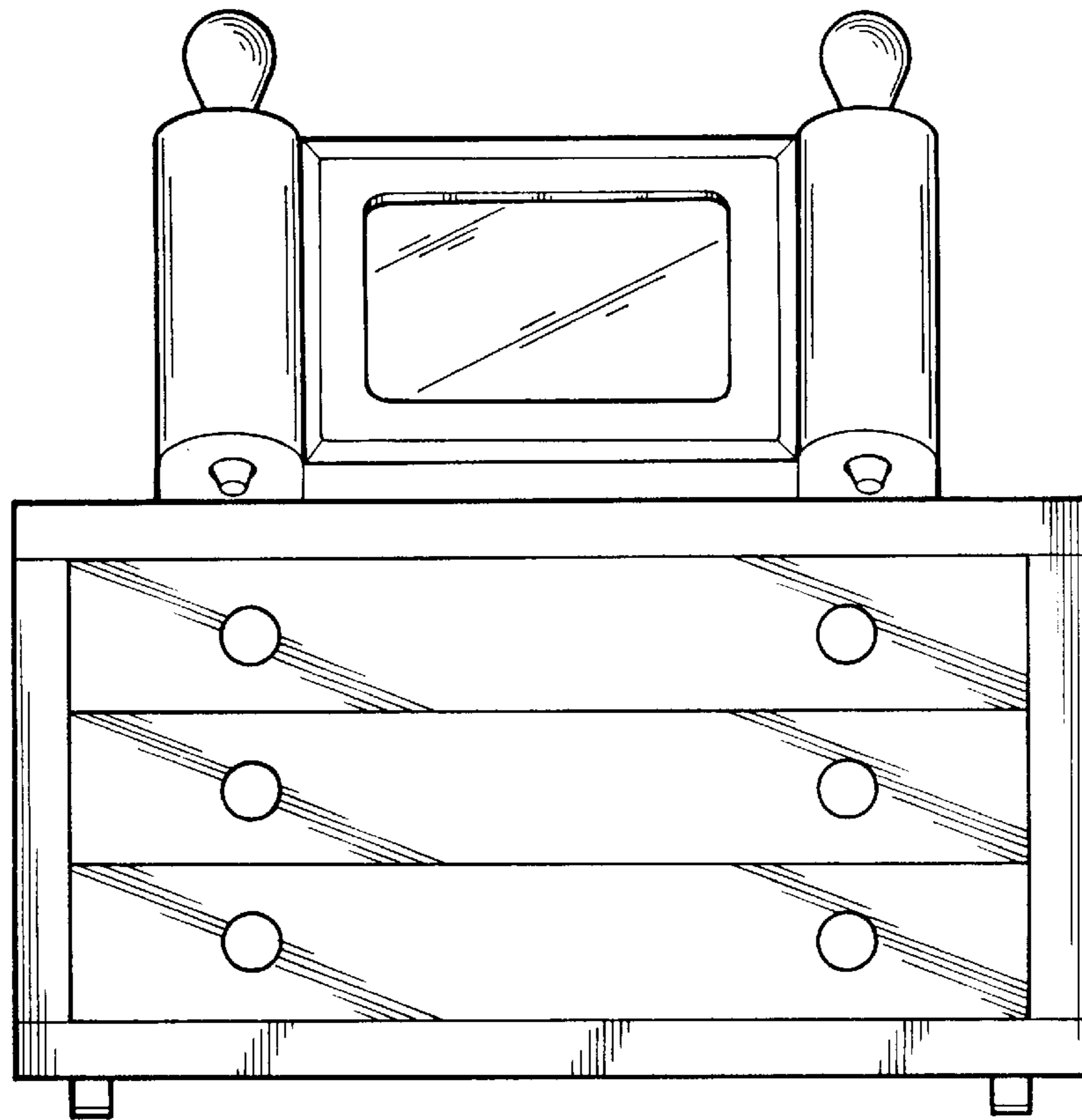


FIG. 2

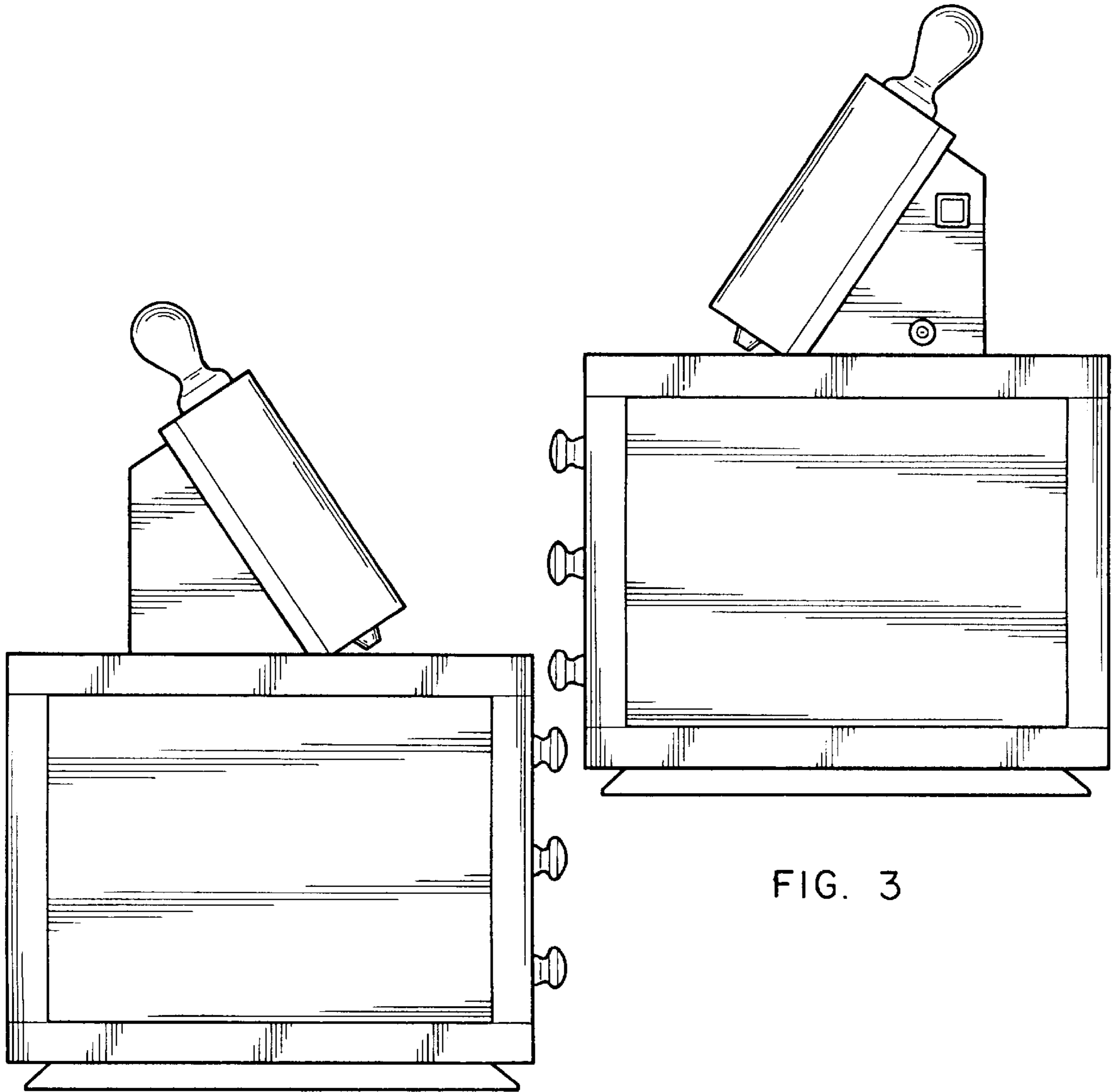


FIG. 3

FIG. 4

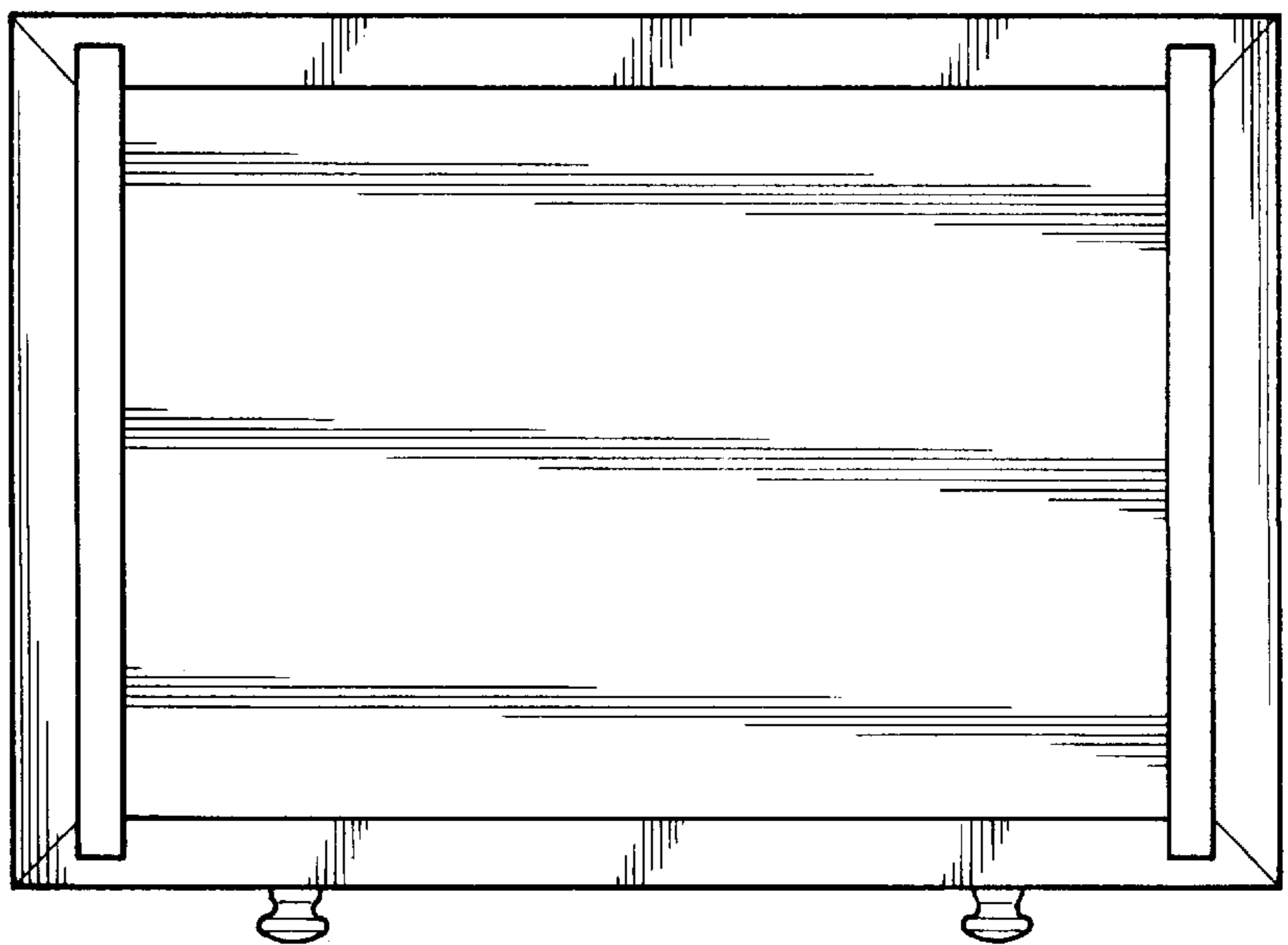


FIG. 5

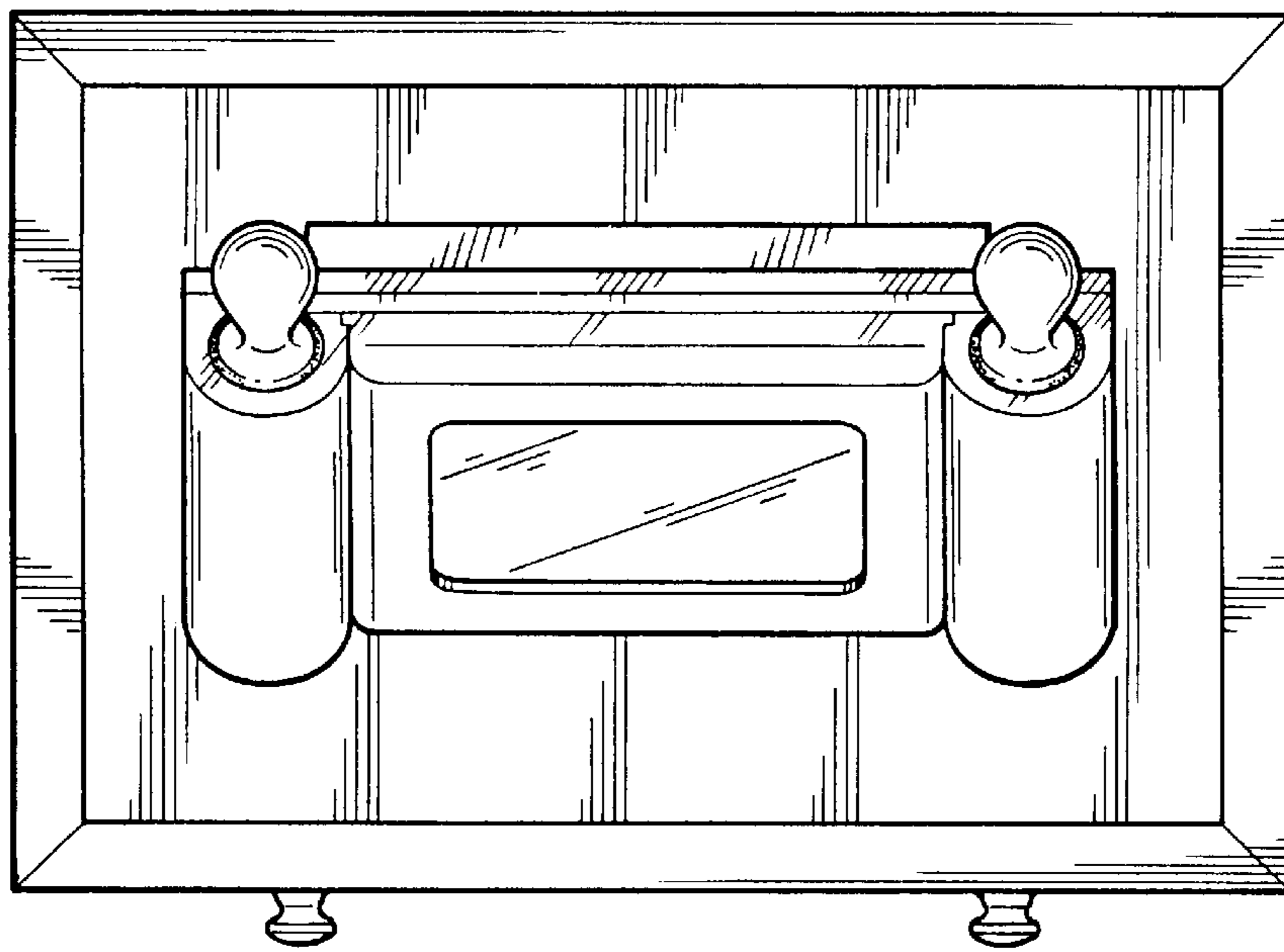


FIG. 6

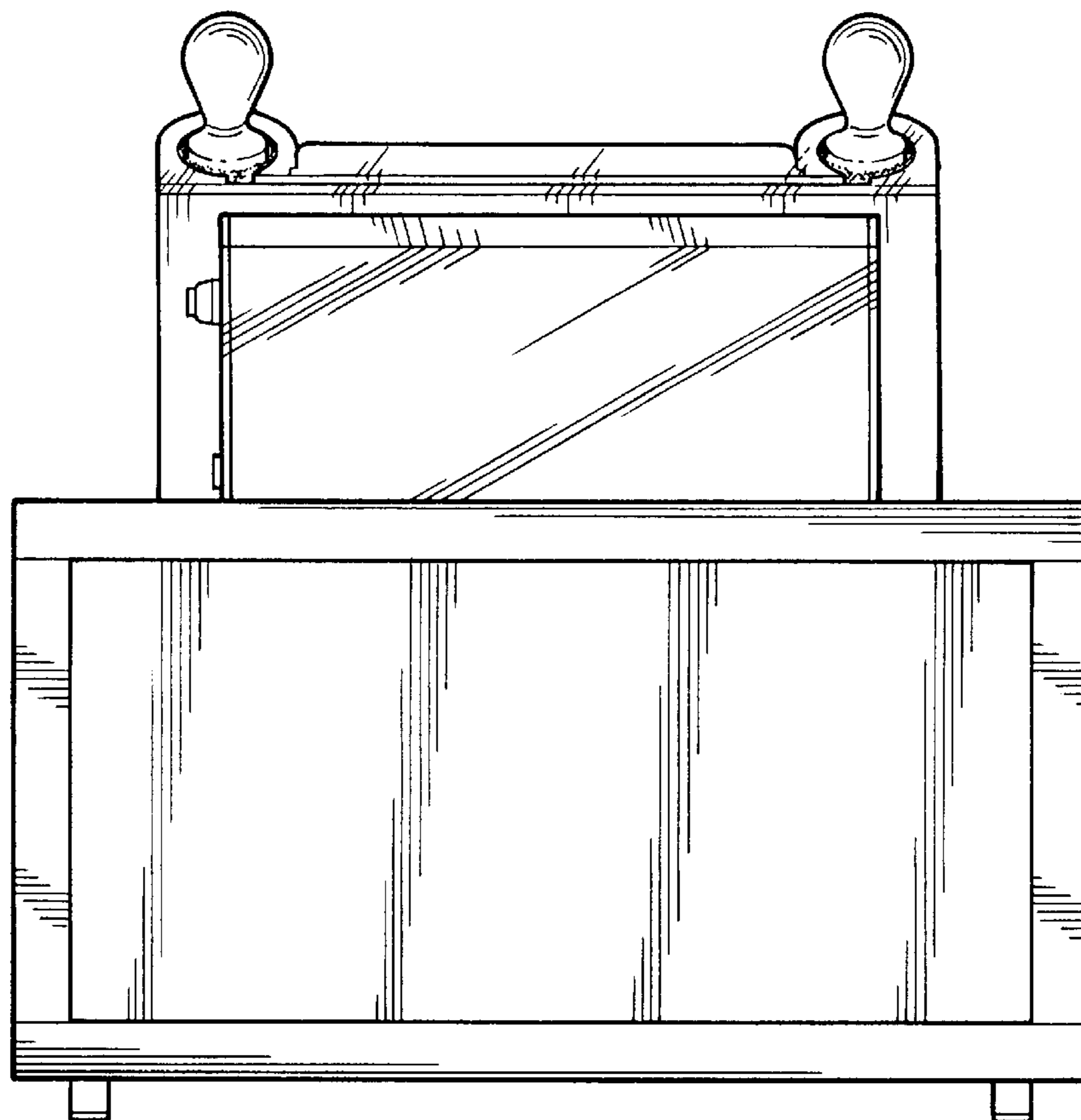


FIG. 7