



US00D414509S

United States Patent [19]

Shimizu et al.

[11] Patent Number: **Des. 414,509**

[45] Date of Patent: **** *Sep. 28, 1999**

[54] **COMBINED INK TANK HOLDER AND PRINTING HEAD FOR PRINTER**

[75] Inventors: **Hisakazu Shimizu; Minoru Nozawa,** both of Yokohama; **Keiichiro Tsukuda,** Kawasaki, all of Japan

[73] Assignee: **Canon Kabushiki Kaisha,** Tokyo, Japan

[*] Notice: This patent is subject to a terminal disclaimer.

[**] Term: **14 Years**

[21] Appl. No.: **29/076,549**

[22] Filed: **Sep. 24, 1997**

[30] **Foreign Application Priority Data**

Mar. 31, 1997 [JP] Japan 9-9098

[51] **LOC (6) Cl.** **18-02**

[52] **U.S. Cl.** **D18/56; 347/87**

[58] **Field of Search** **D18/56; 347/86-87**

[56] **References Cited**

U.S. PATENT DOCUMENTS

D. 371,804 7/1996 Kotaki et al. D18/56

D. 382,013	8/1997	Tashiro et al.	D18/56
D. 382,014	8/1997	Tashiro et al.	D18/56
D. 392,672	3/1998	Inoue et al.	D18/56
4,755,836	7/1988	Ta et al.	347/87
5,182,581	1/1993	Kashimura et al.	347/87
5,392,063	2/1995	Rhoads	347/86
5,576,750	11/1996	Brandon et al.	347/87
5,619,237	4/1997	Inoue	347/86

Primary Examiner—Cathy Anne MacCormac
Attorney, Agent, or Firm—Fitzpatrick, Cella, Harper & Scinto

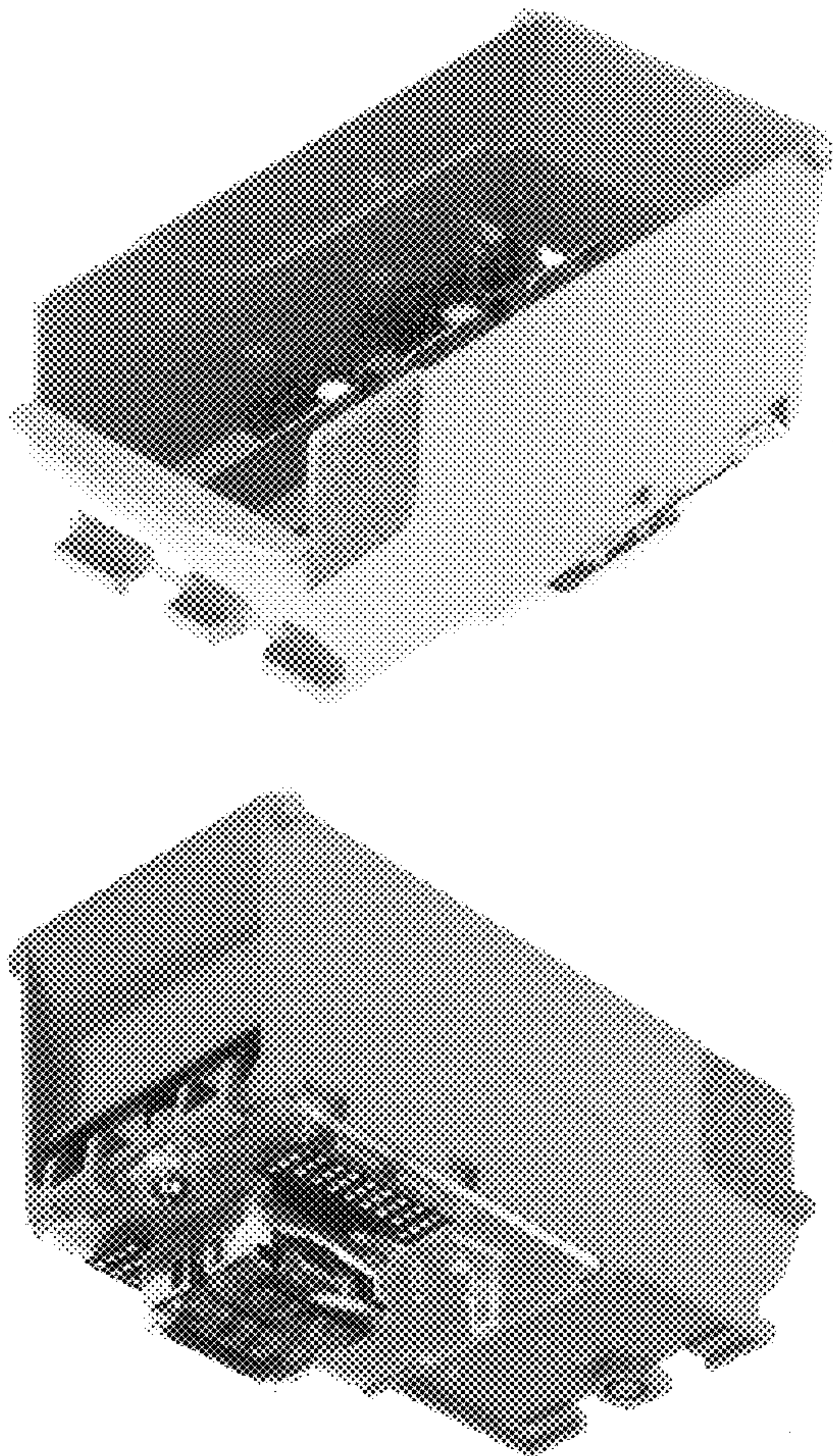
[57] **CLAIM**

The ornamental design for combined ink tank holder and printing head for printer, as shown and described.

DESCRIPTION

FIG. 1 is a front view of a combined ink tank holder and printing head for printer;
FIG. 2 is a rear view thereof;
FIG. 3 is a top plan view thereof;
FIG. 4 is a bottom plan view thereof;
FIG. 5 is a left side view thereof;
FIG. 6 is a right side view thereof;
FIG. 7 is a perspective view thereof; and,
FIG. 8 is another perspective view thereof.

1 Claim, 8 Drawing Sheets



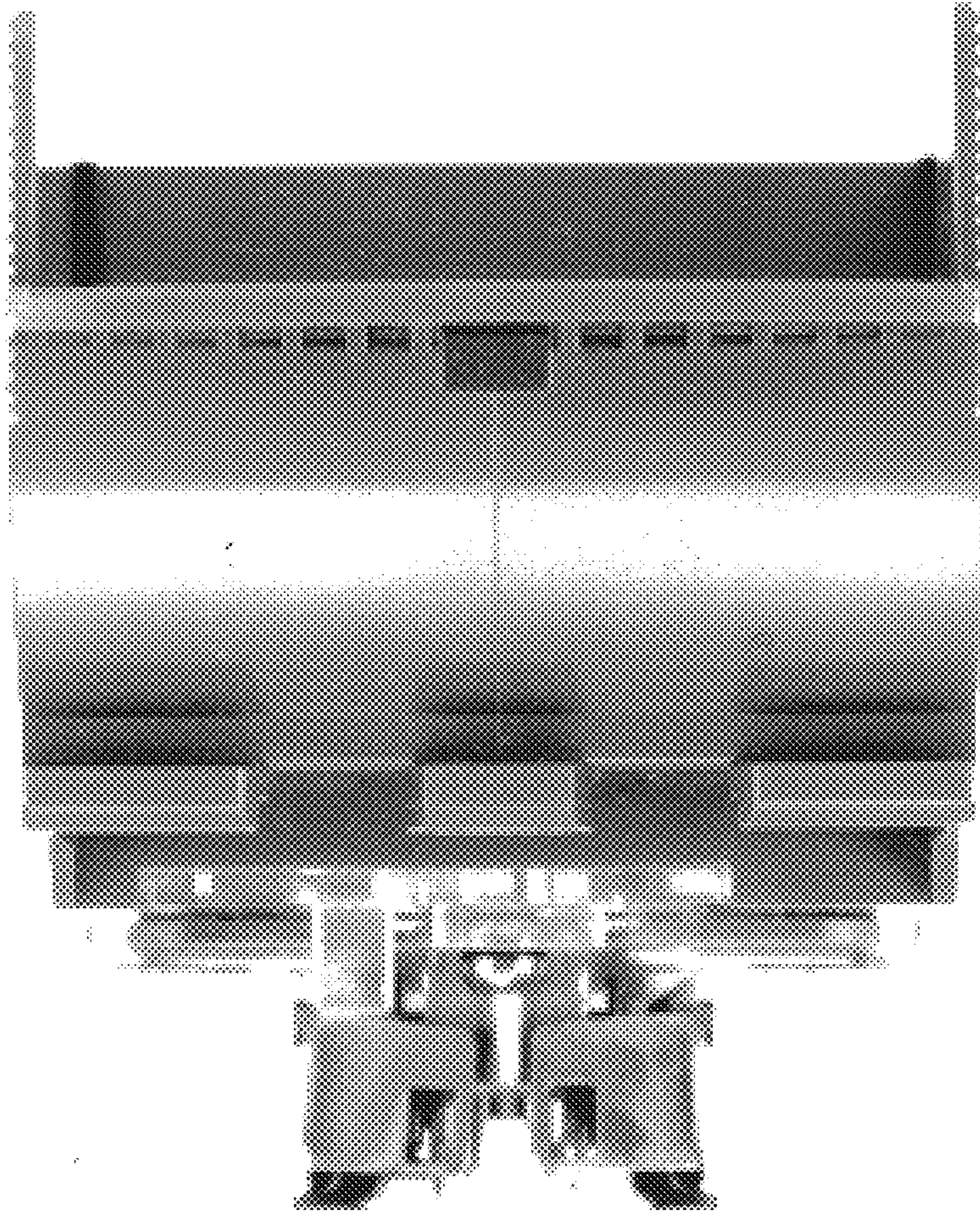


FIG. 1

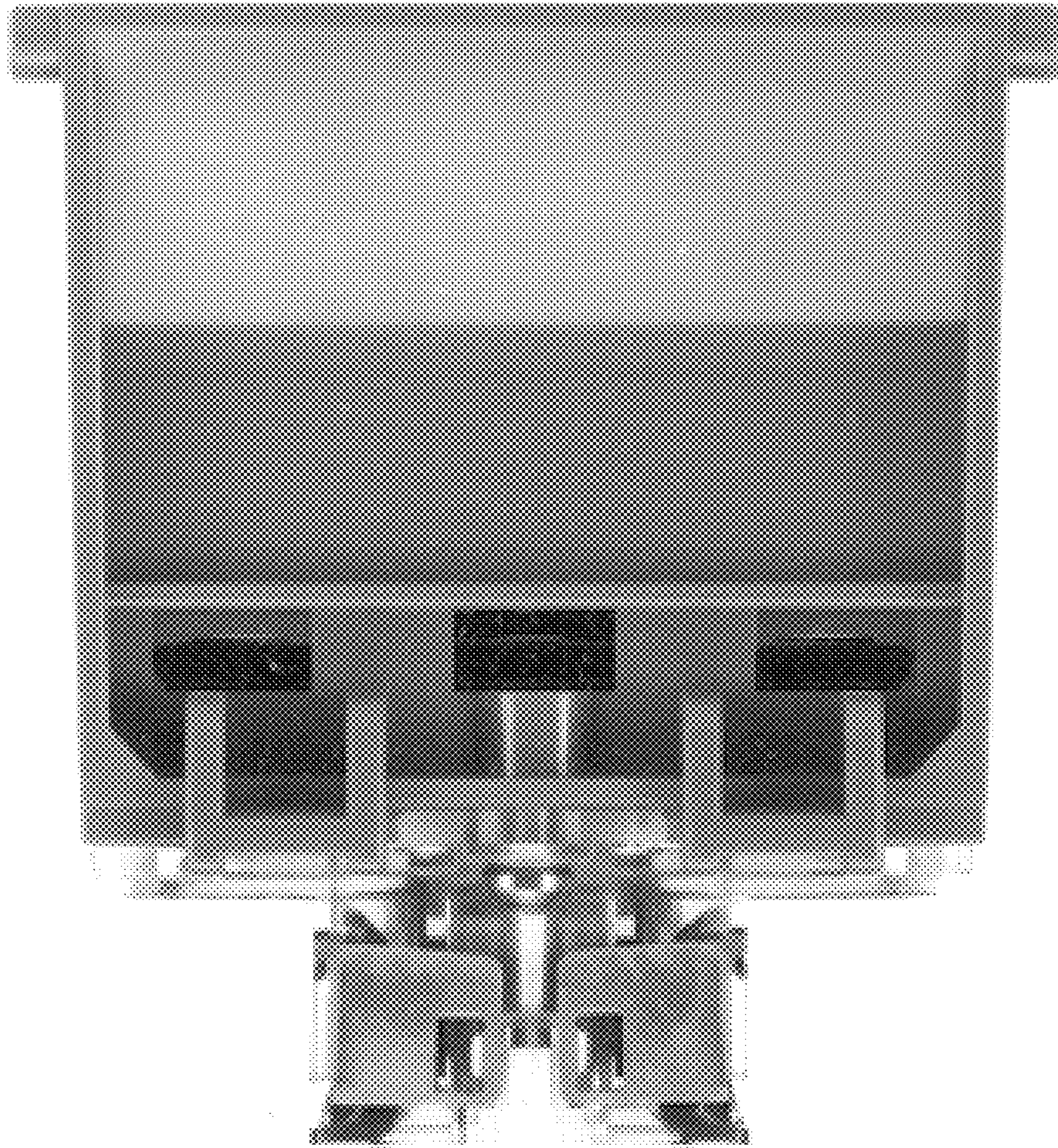


FIG. 2

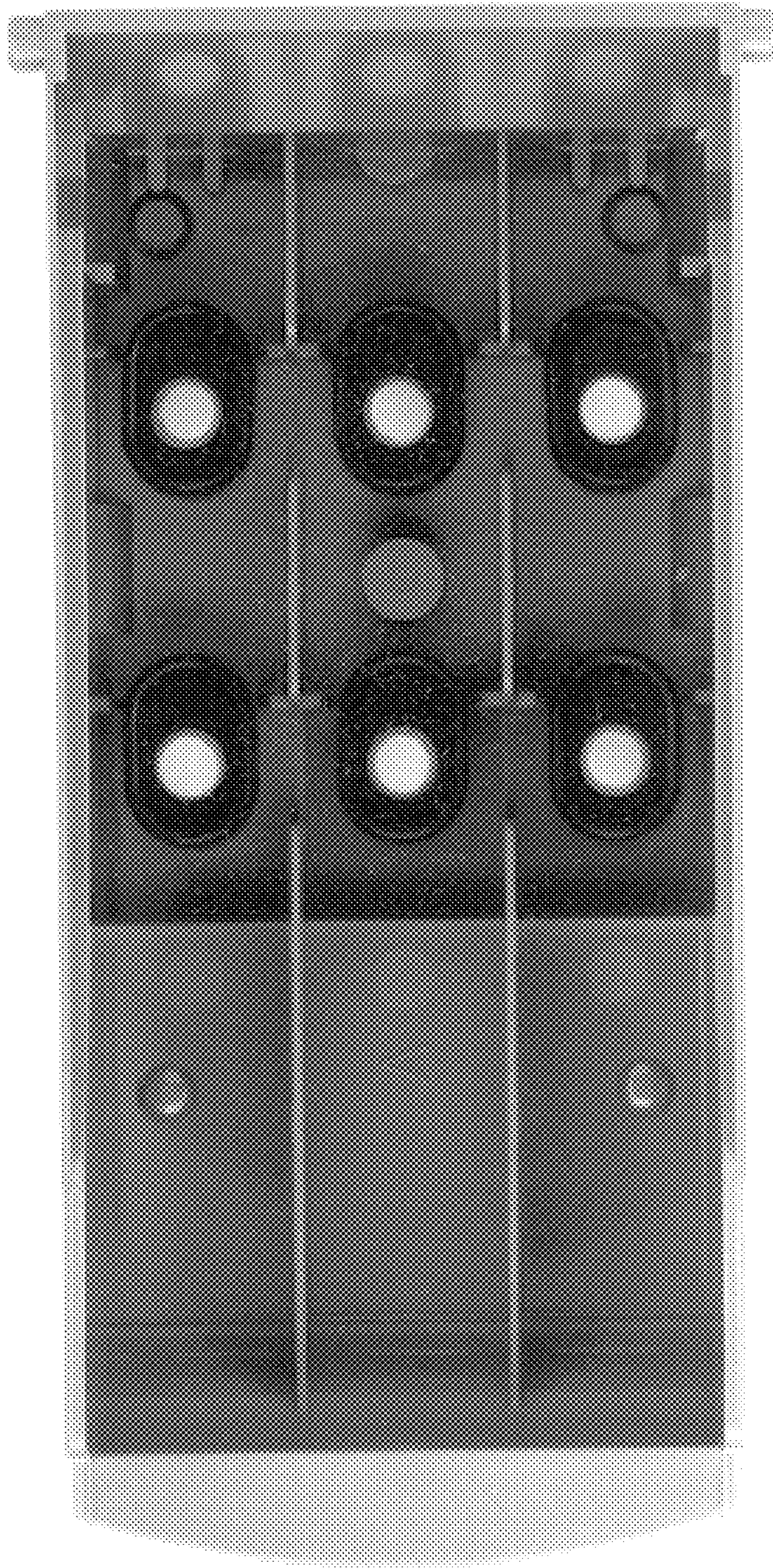


FIG. 3

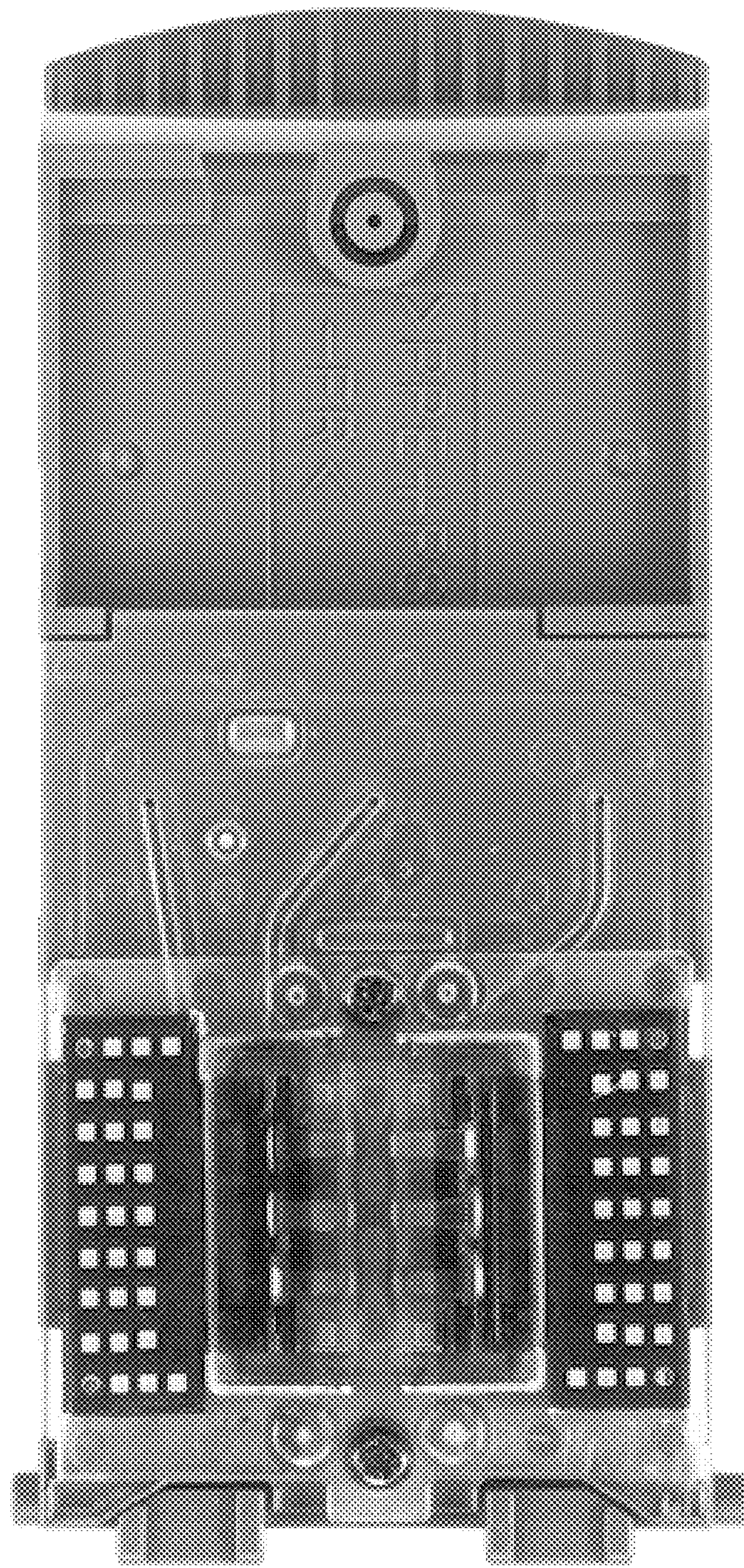


FIG. 4

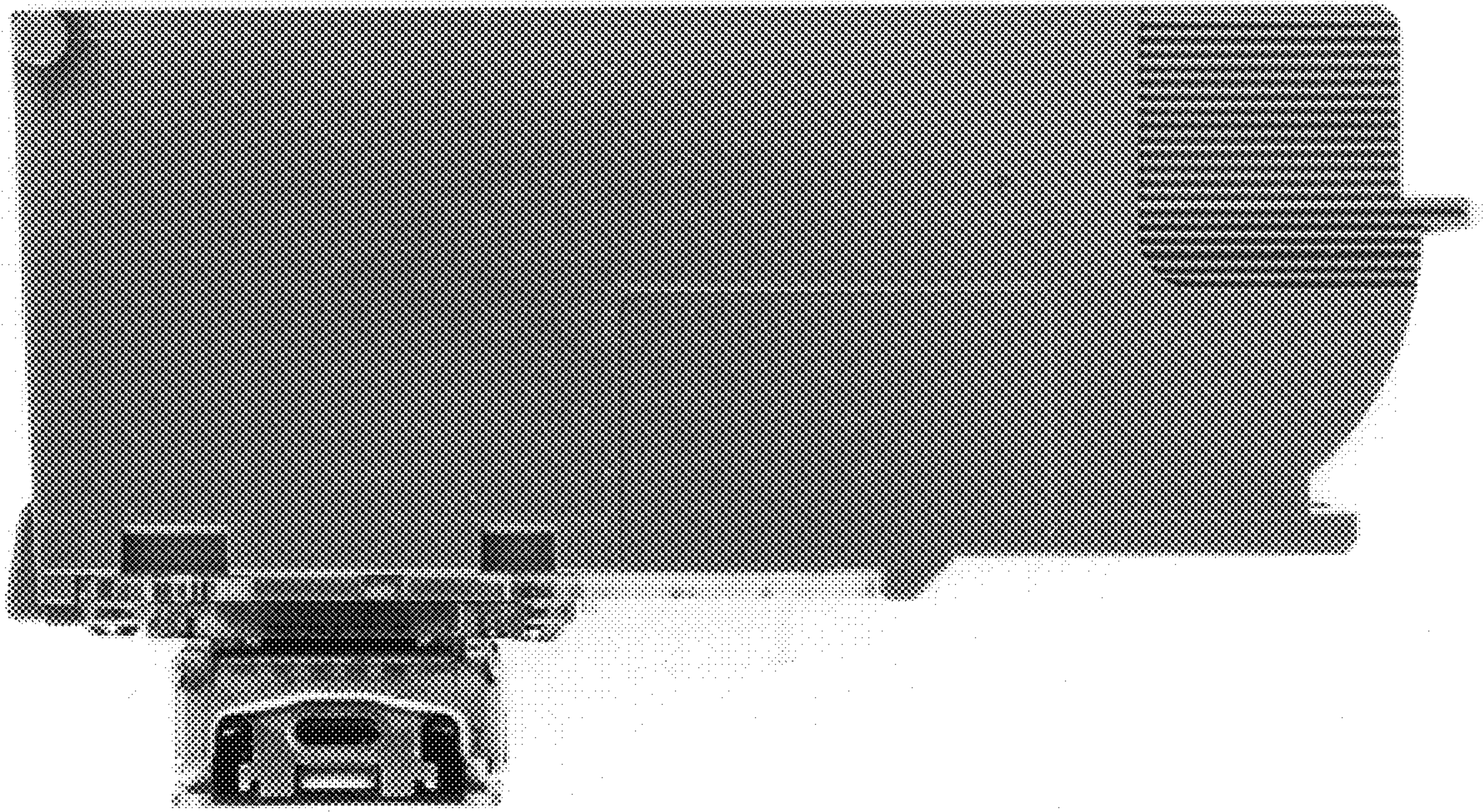


FIG. 5

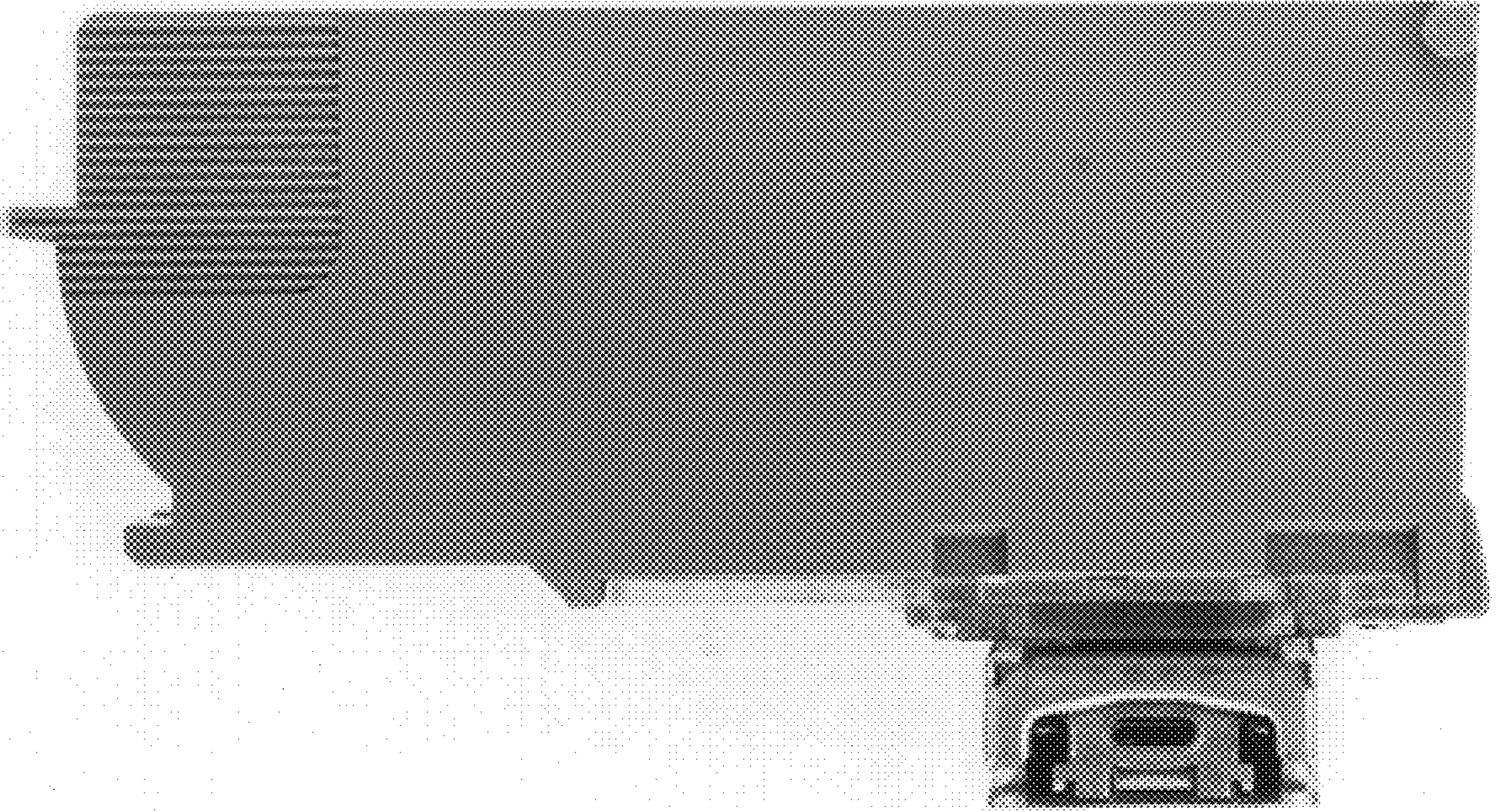


FIG. 6

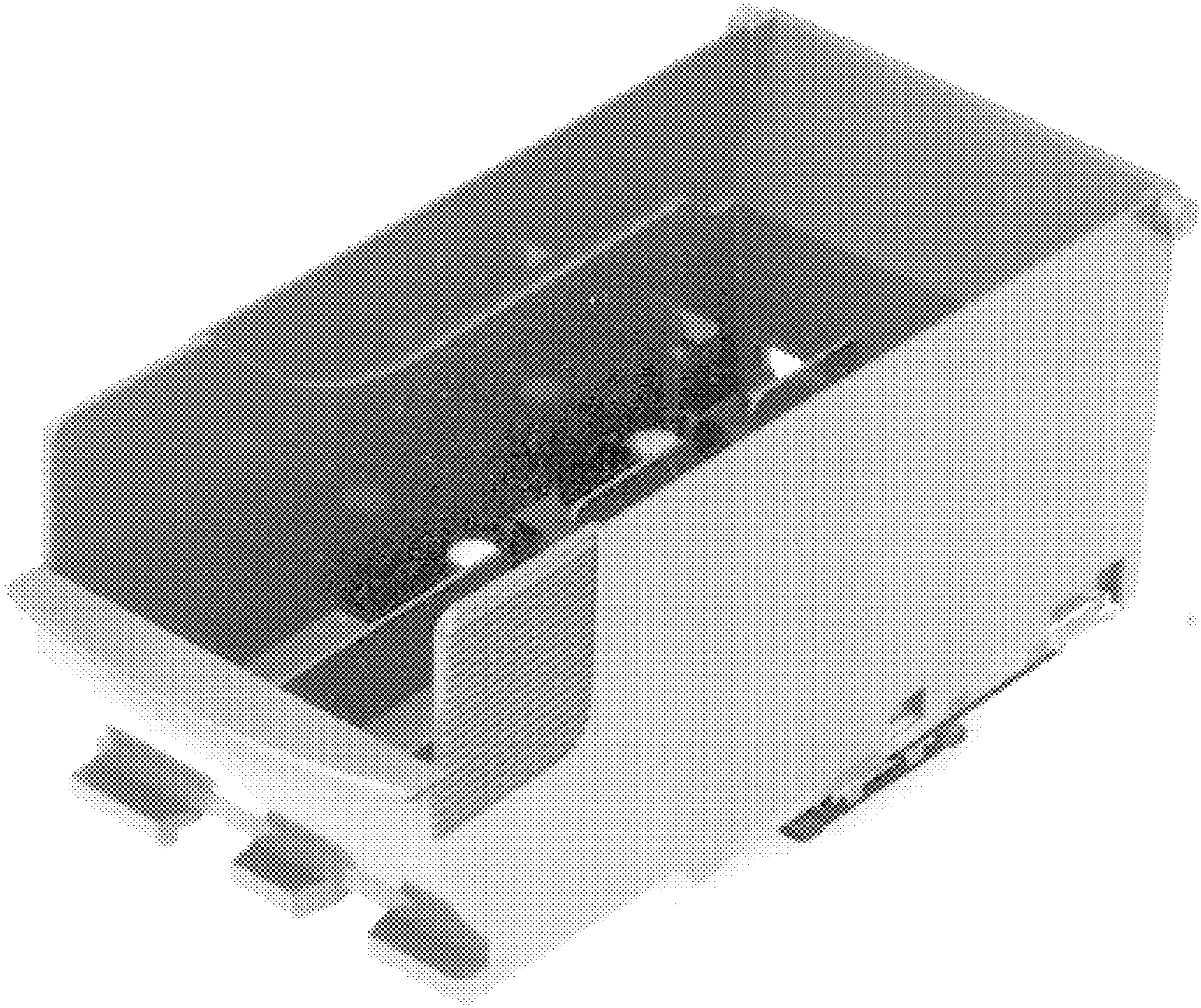


FIG. 7

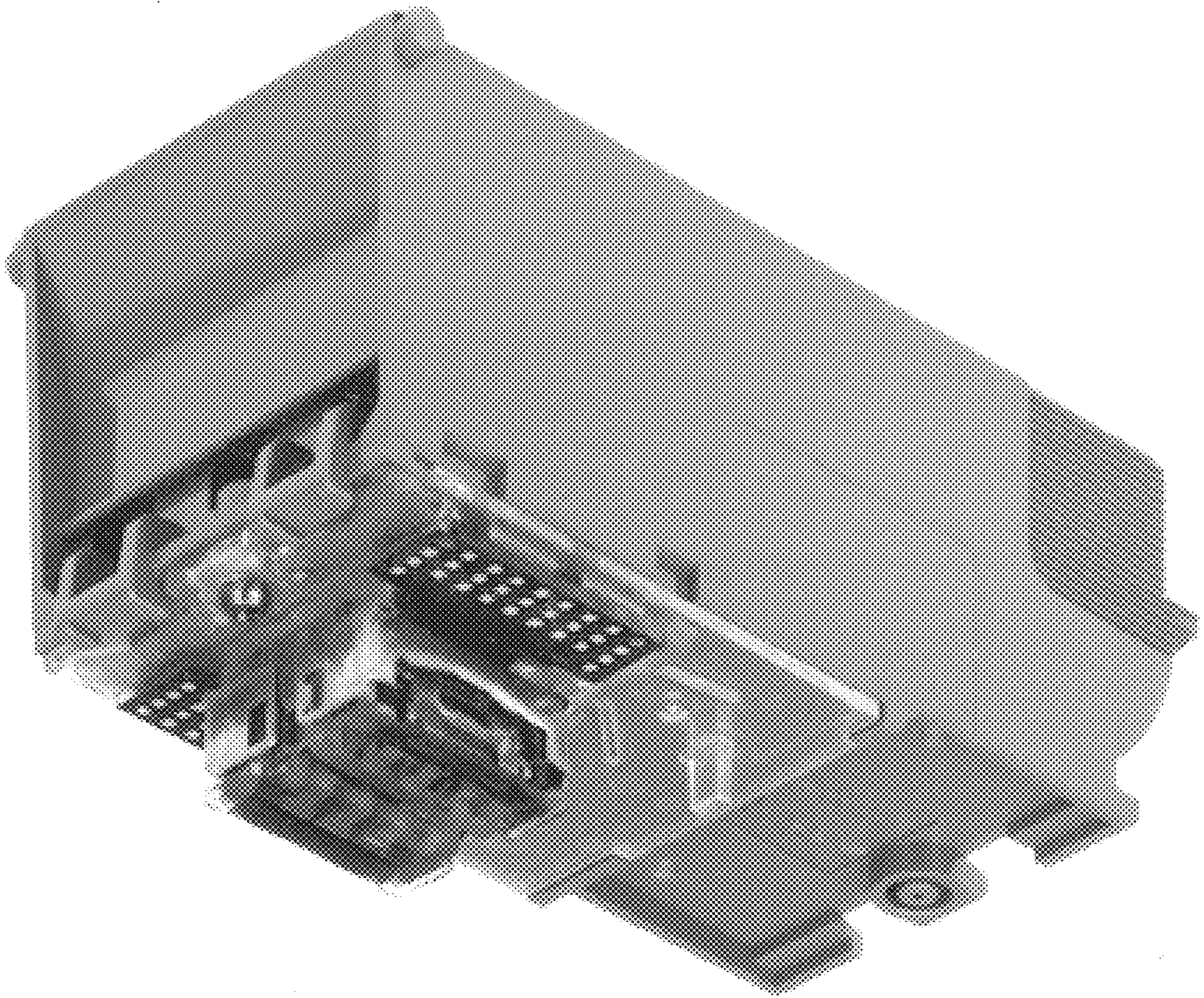


FIG. 8