



US00D414502S

United States Patent [19]

Kasperik et al.

[11] Patent Number: Des. 414,502

[45] Date of Patent: ** Sep. 28, 1999

[54] CUTTING TOOL INSERT

[75] Inventors: James R. Kasperik, Latrobe; Kenneth L. Niebauer, Ligonier, both of Pa.

[73] Assignee: Kennametal Inc., Latrobe, Pa.

[**] Term: 14 Years

[21] Appl. No.: 29/097,976

[22] Filed: Dec. 18, 1998

[51] LOC (6) Cl. 15-09

[52] U.S. Cl. D15/139

[58] Field of Search D15/139; 407/42, 407/113-117

[56] References Cited

U.S. PATENT DOCUMENTS

5,230,591	7/1993	Kathi et al.	407/114
5,249,894	10/1993	Bernadic et al.	407/114
5,738,468	4/1998	Boianjiu	407/103

Primary Examiner—Antoine Duval Davis

Attorney, Agent, or Firm—John J. Prizzi

[57] CLAIM

The ornamental design for a cutting tool insert, as shown and described.

DESCRIPTION

FIG. 1 is an isometric view of a cutting tool insert in accordance with a first embodiment of the subject invention; FIG. 2 is a top plan view of FIG. 1, wherein the bottom plan view is identical;

FIG. 3 is a side elevation view taken along lines “3—3” in FIG. 2;

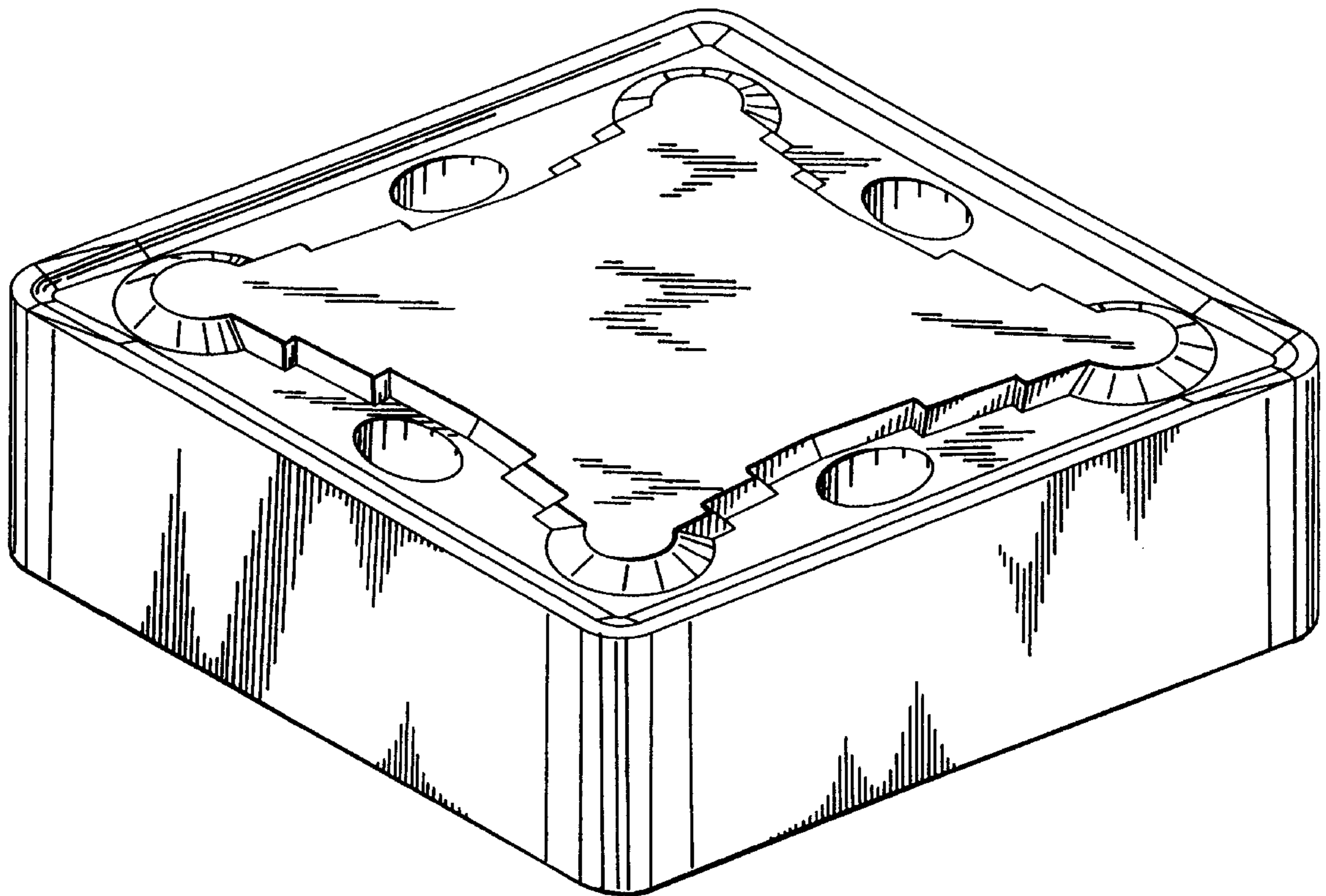
FIG. 4 is a side elevation view taken along lines “4—4” in FIG. 2.

FIG. 5 is an isometric view of a cutting tool insert in accordance with the second embodiment of the subject invention;

FIG. 6 is a top plan view of FIG. 5, wherein the bottom plan view is identical; and,

FIG. 7 is a side elevation view from any side of the insert in FIG. 5.

1 Claim, 7 Drawing Sheets



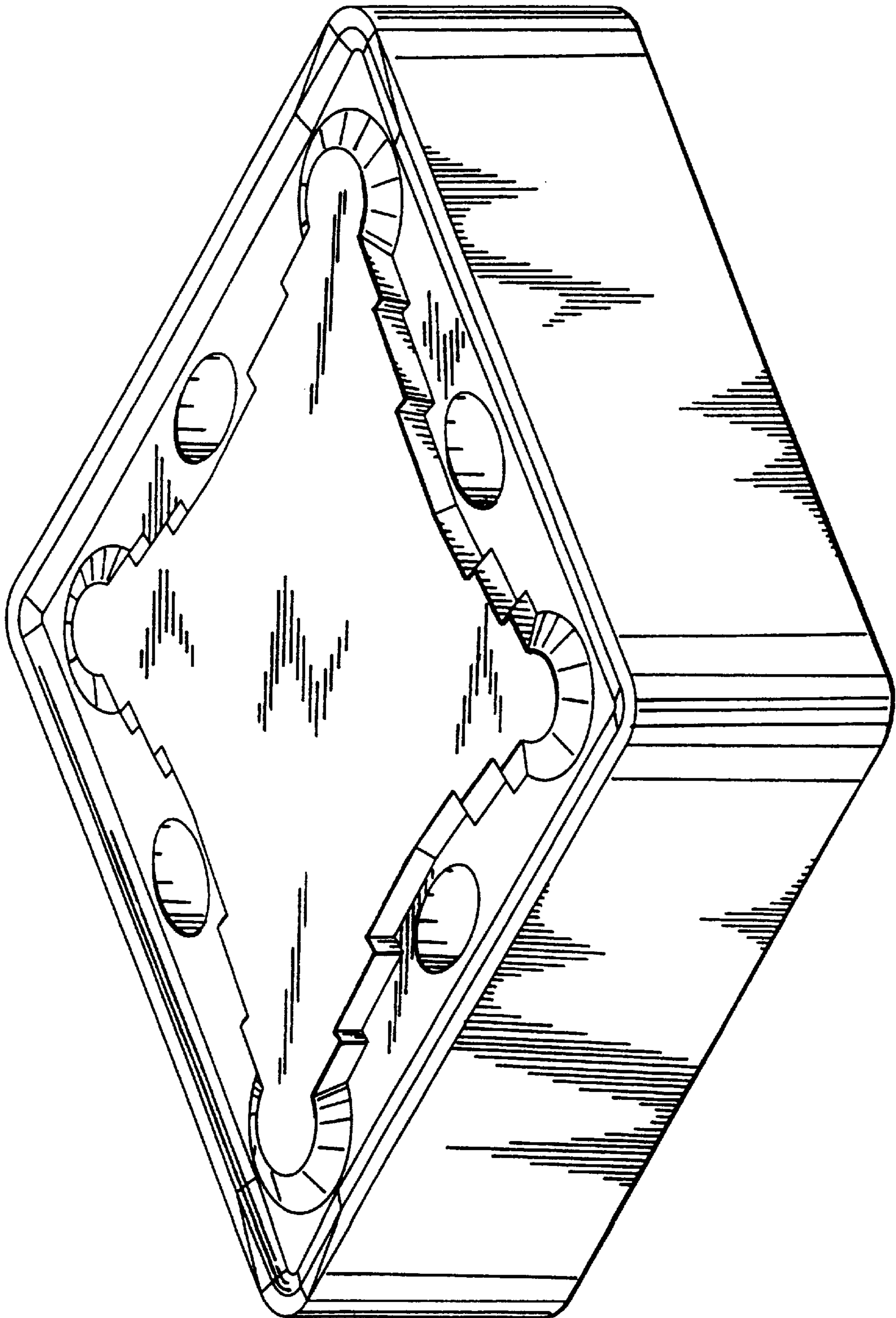
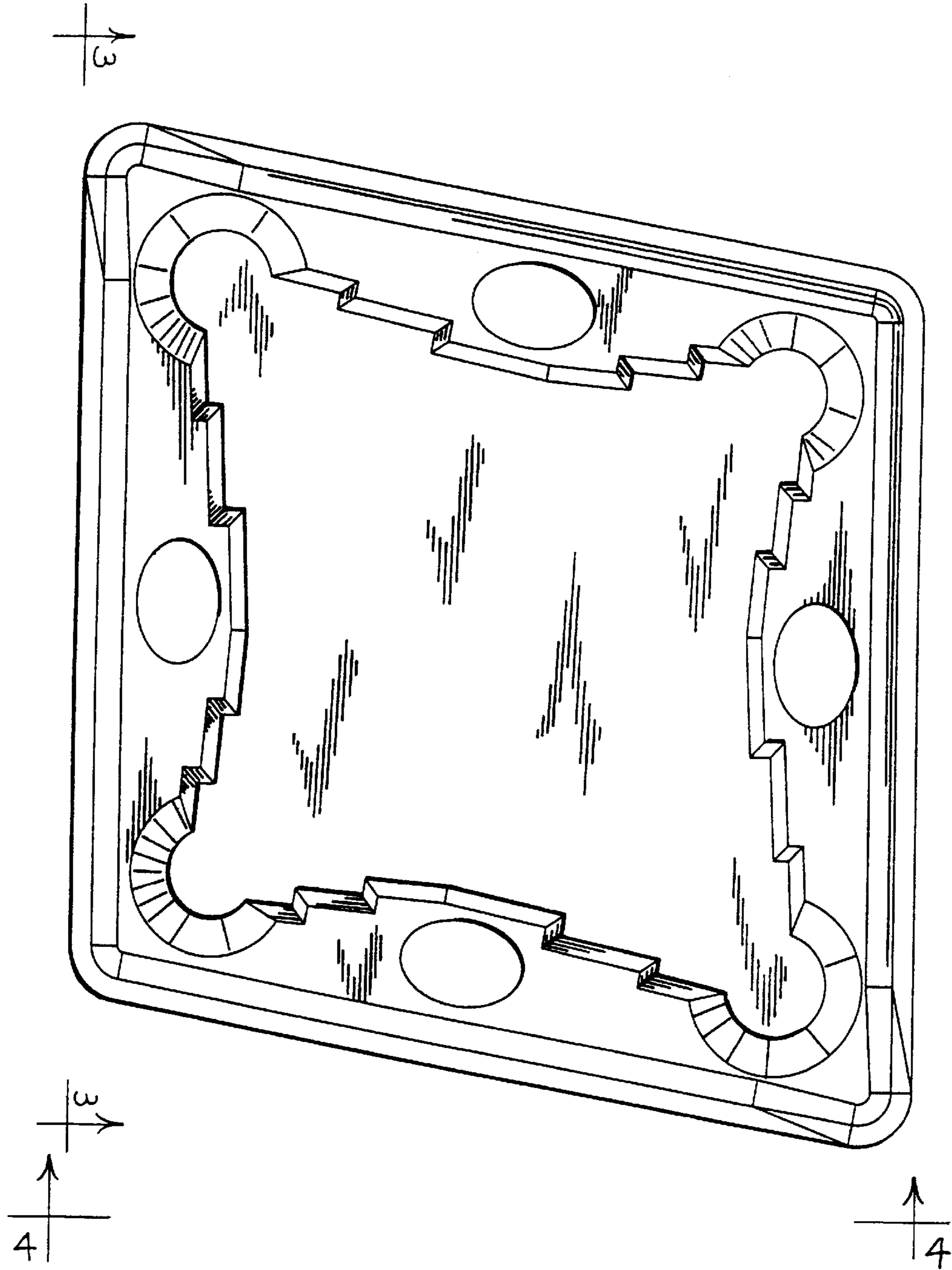


FIG.1



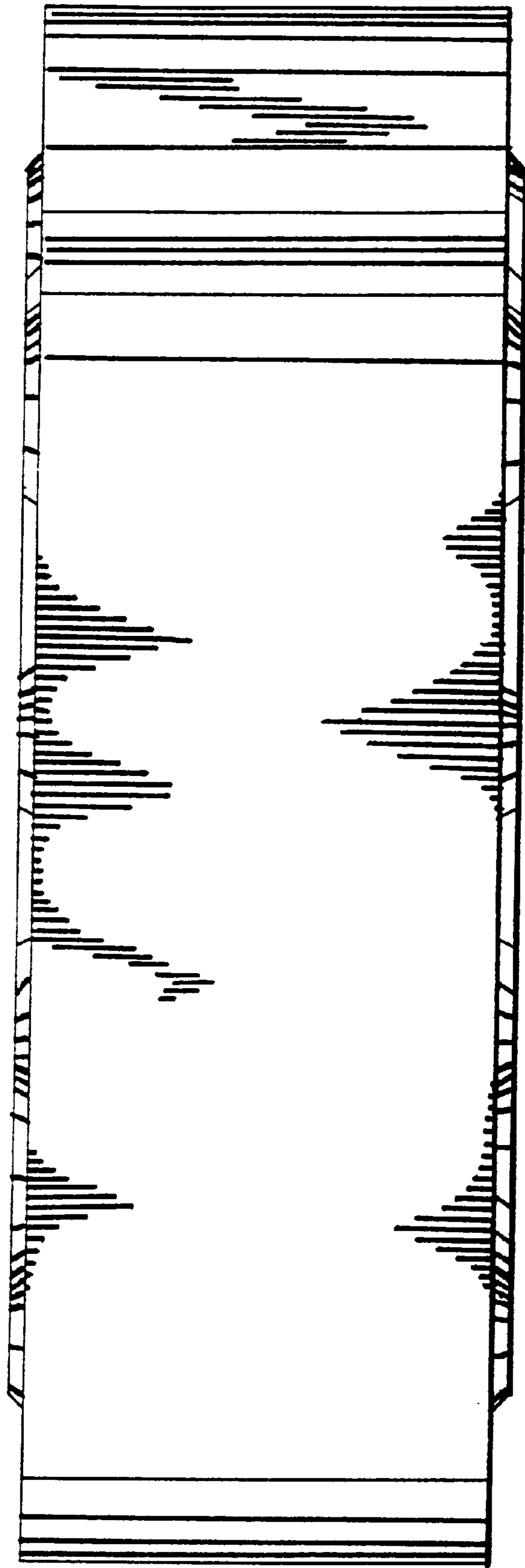


FIG. 3

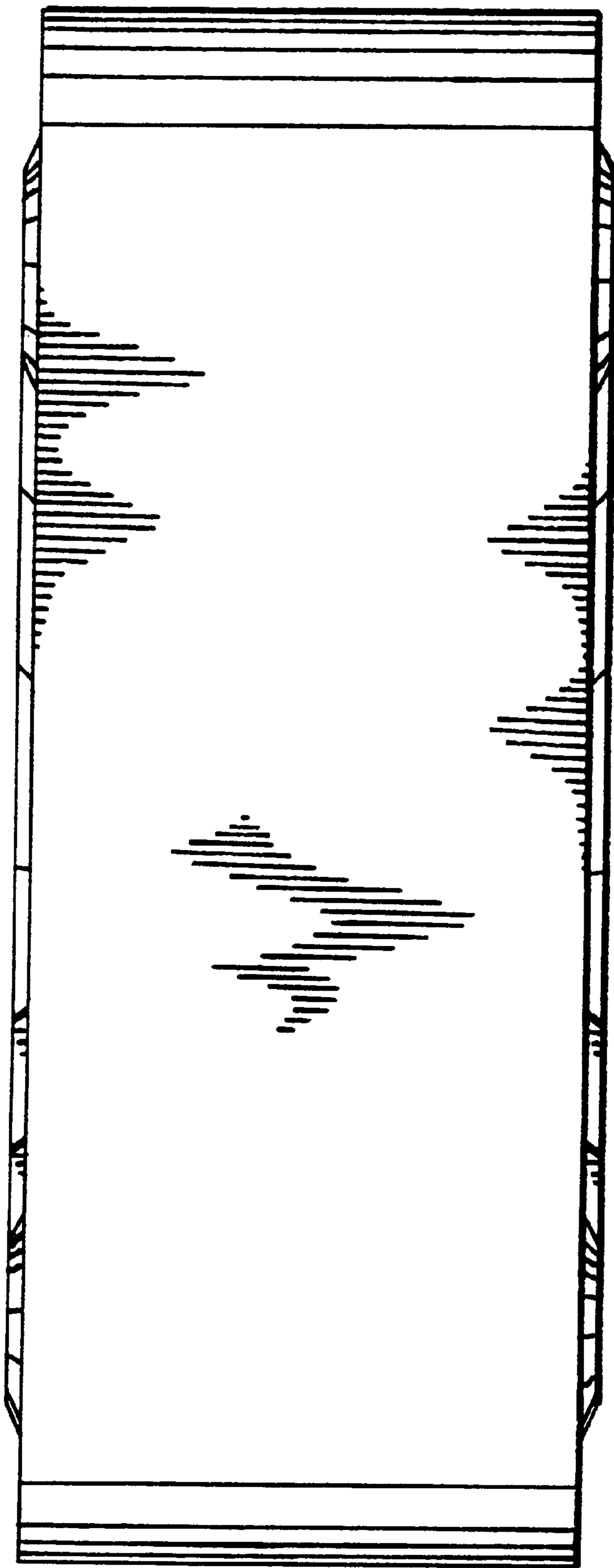


FIG. 4

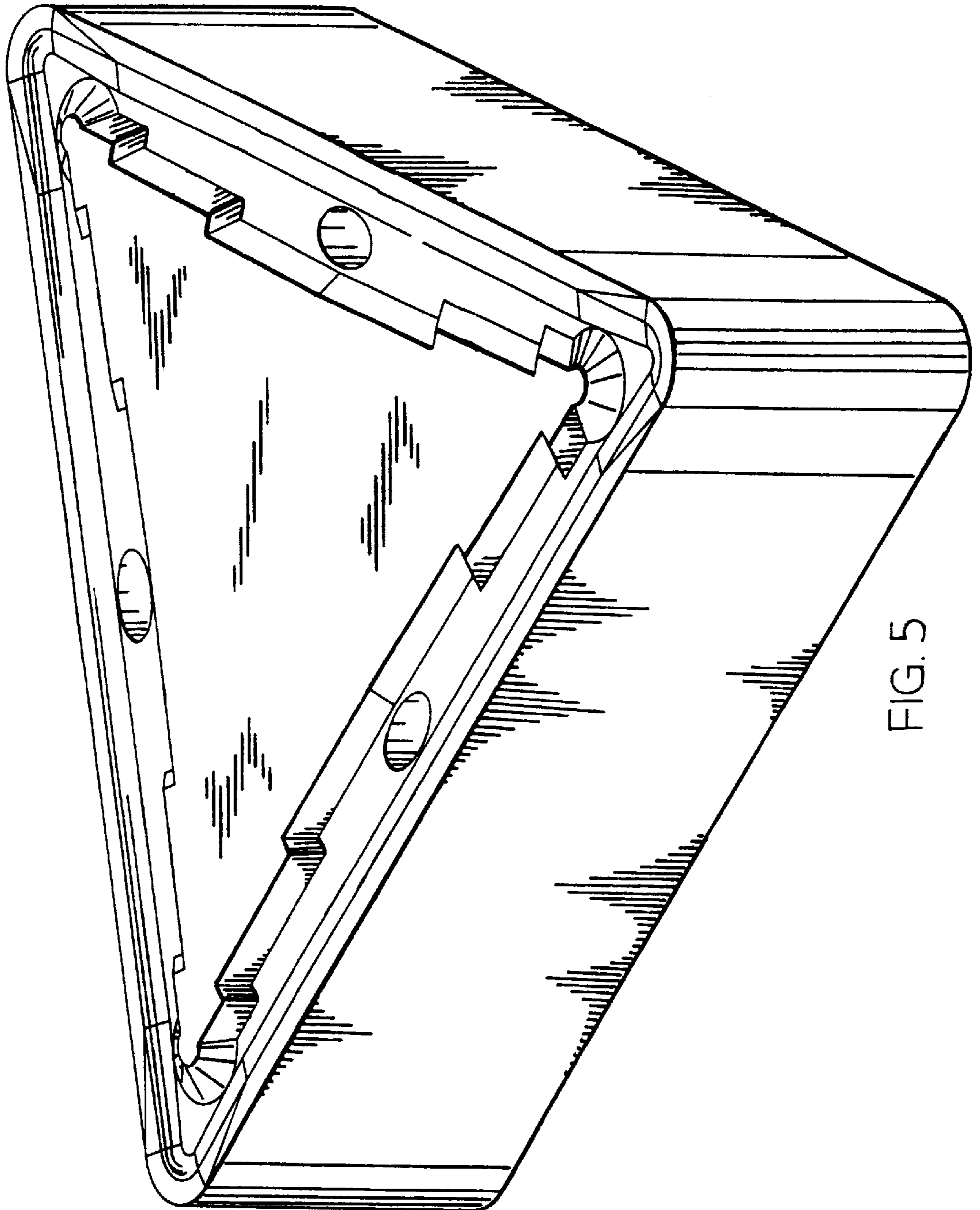


FIG. 5

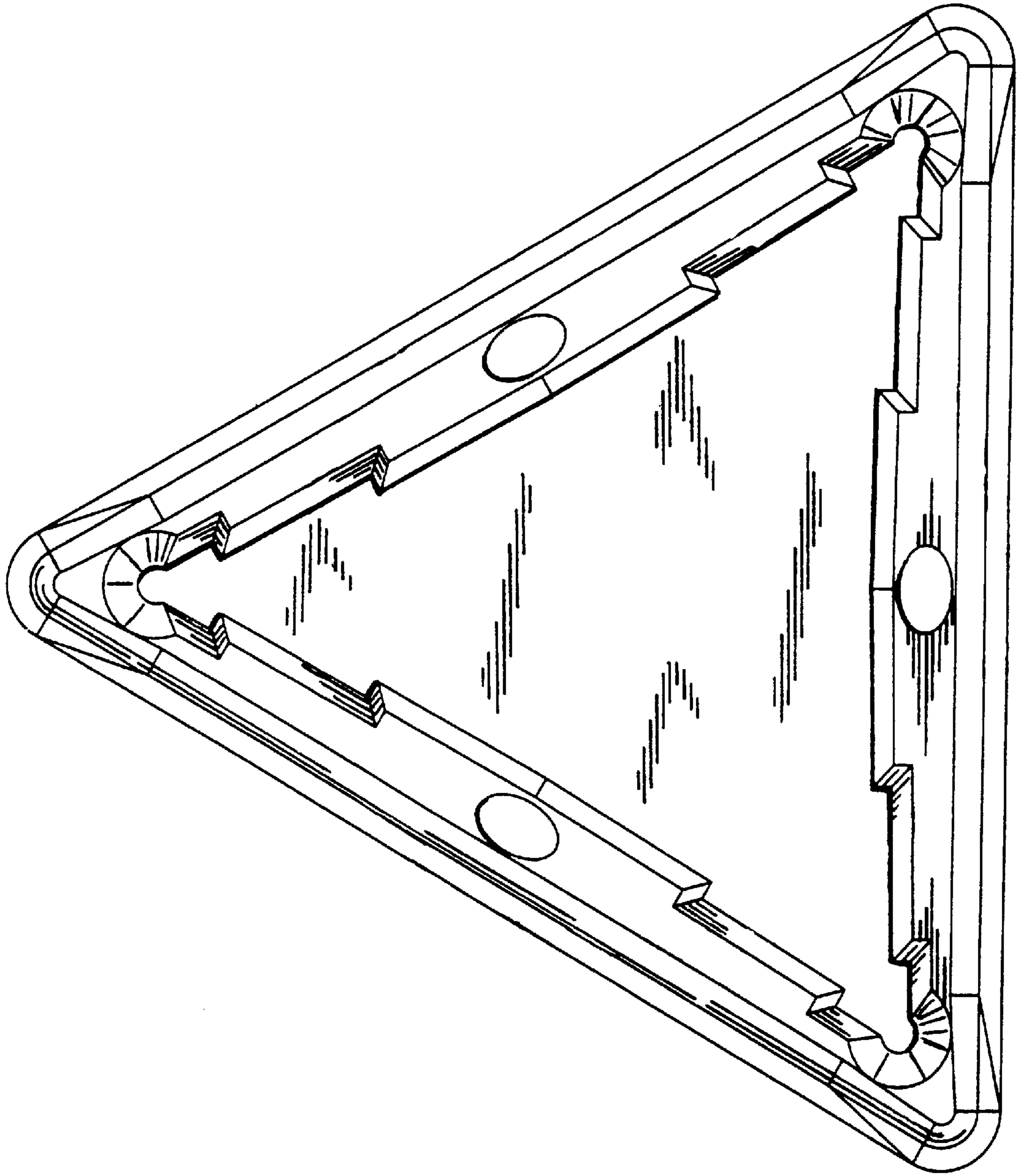


FIG. 6

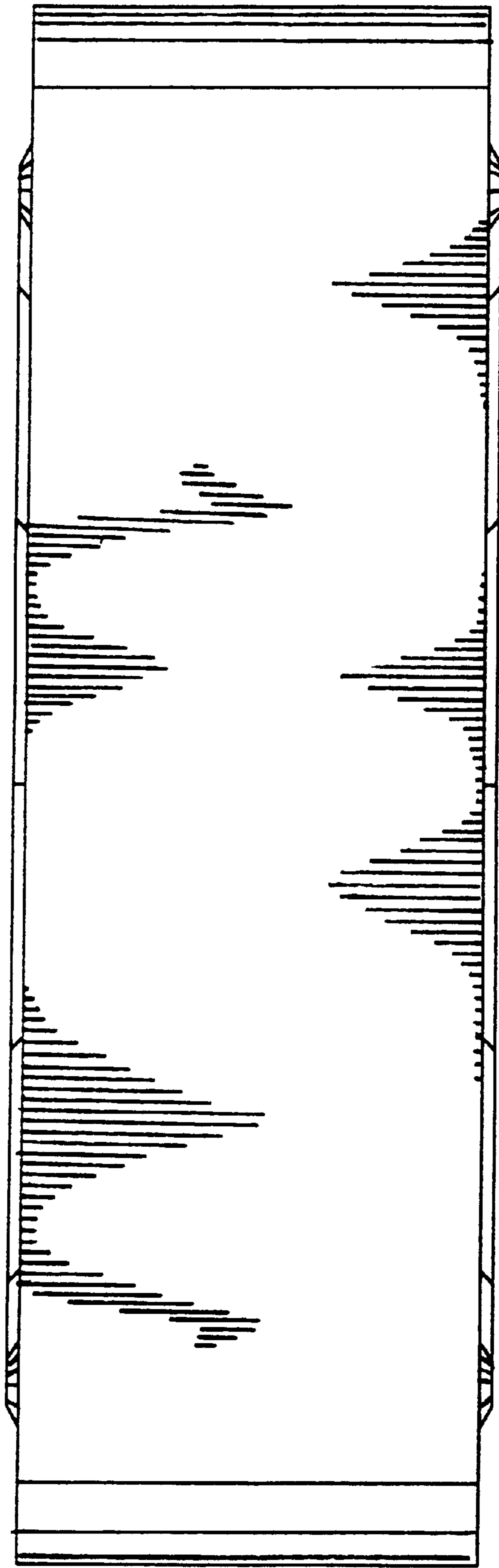


FIG. 7