



US00D414500S

# United States Patent [19]

Davis et al.

[11] Patent Number: **Des. 414,500**

[45] Date of Patent: **\*\* Sep. 28, 1999**

[54] **CONDENSATE PUMP**

[75] Inventors: **Lee W. Davis; D. W. Hearn, Jr.**, both of Oklahoma City; **David Thomas Springer**, Edmond; **James J. Coffey; Jon David Currier**, both of Oklahoma City, all of Okla.

[73] Assignee: **Little Giant Pump Company**, Oklahoma City, Okla.

[\*\*] Term: **14 Years**

[21] Appl. No.: **29/092,782**

[22] Filed: **Aug. 27, 1998**

[51] **LOC (6) Cl.** ..... **15-02**

[52] **U.S. Cl.** ..... **D15/7**

[58] **Field of Search** ..... D15/7-9; 417/360, 417/40; 137/135, 140, 147, 151

[56] **References Cited**

**U.S. PATENT DOCUMENTS**

D. 306,447 3/1990 Whitley ..... D15/7

D. 354,754 1/1995 Broughton ..... D15/7  
D. 387,777 12/1997 Gaffney ..... D15/8  
5,293,894 3/1994 Fleischmann ..... 137/135

*Primary Examiner*—Ralf Seifert  
*Attorney, Agent, or Firm*—Crowe & Dunlevy

[57] **CLAIM**

We claim the ornamental design for the condensate pump, as shown and described.

**DESCRIPTION**

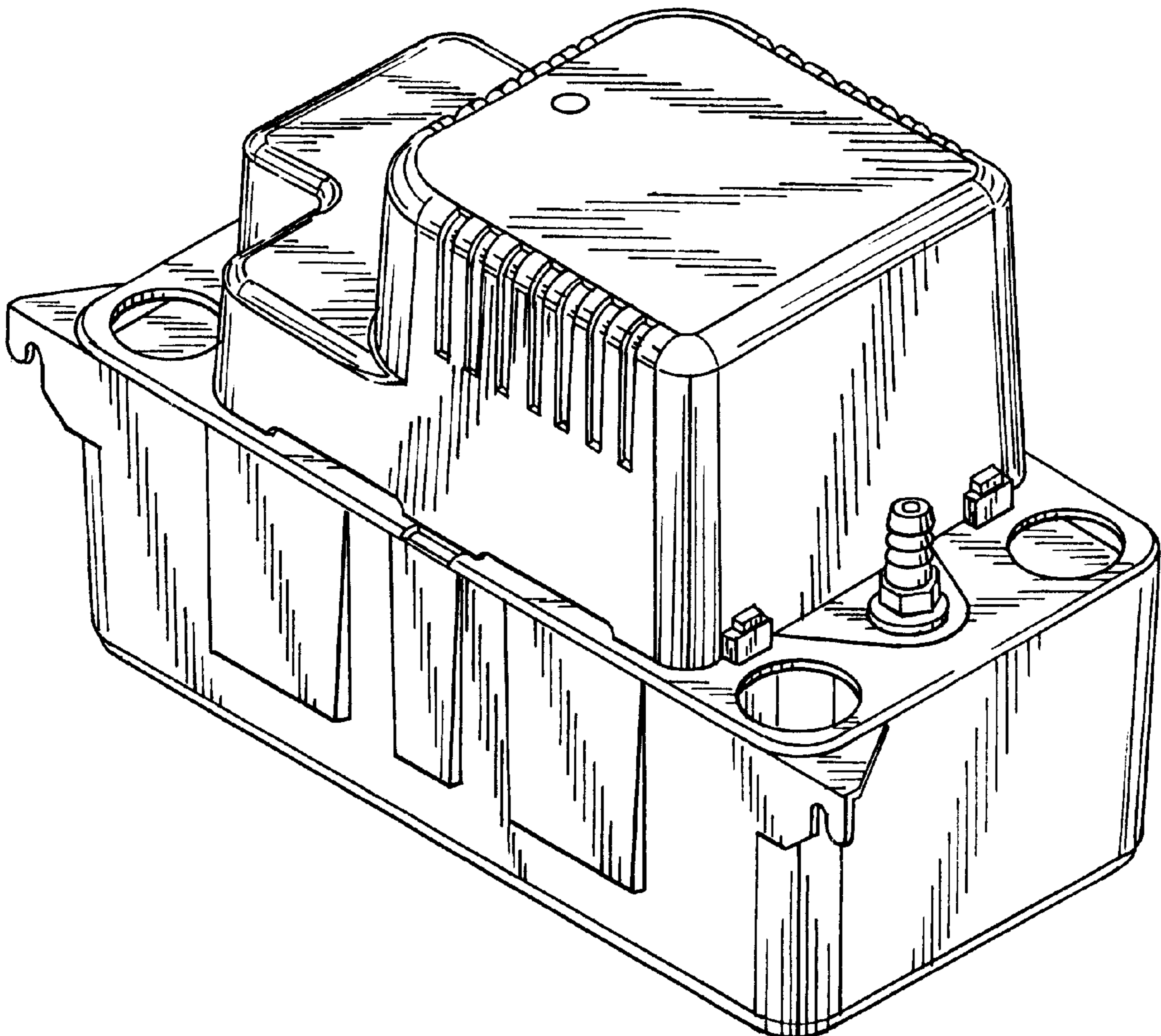
FIG. 1 is a top perspective view of a condensate pump showing our new design from one corner thereof;

FIG. 2 is a top perspective view from an opposing corner thereof;

FIG. 3 is a bottom plan view thereof; and,

FIG. 4 is a top perspective view from yet another corner thereof.

**1 Claim, 3 Drawing Sheets**



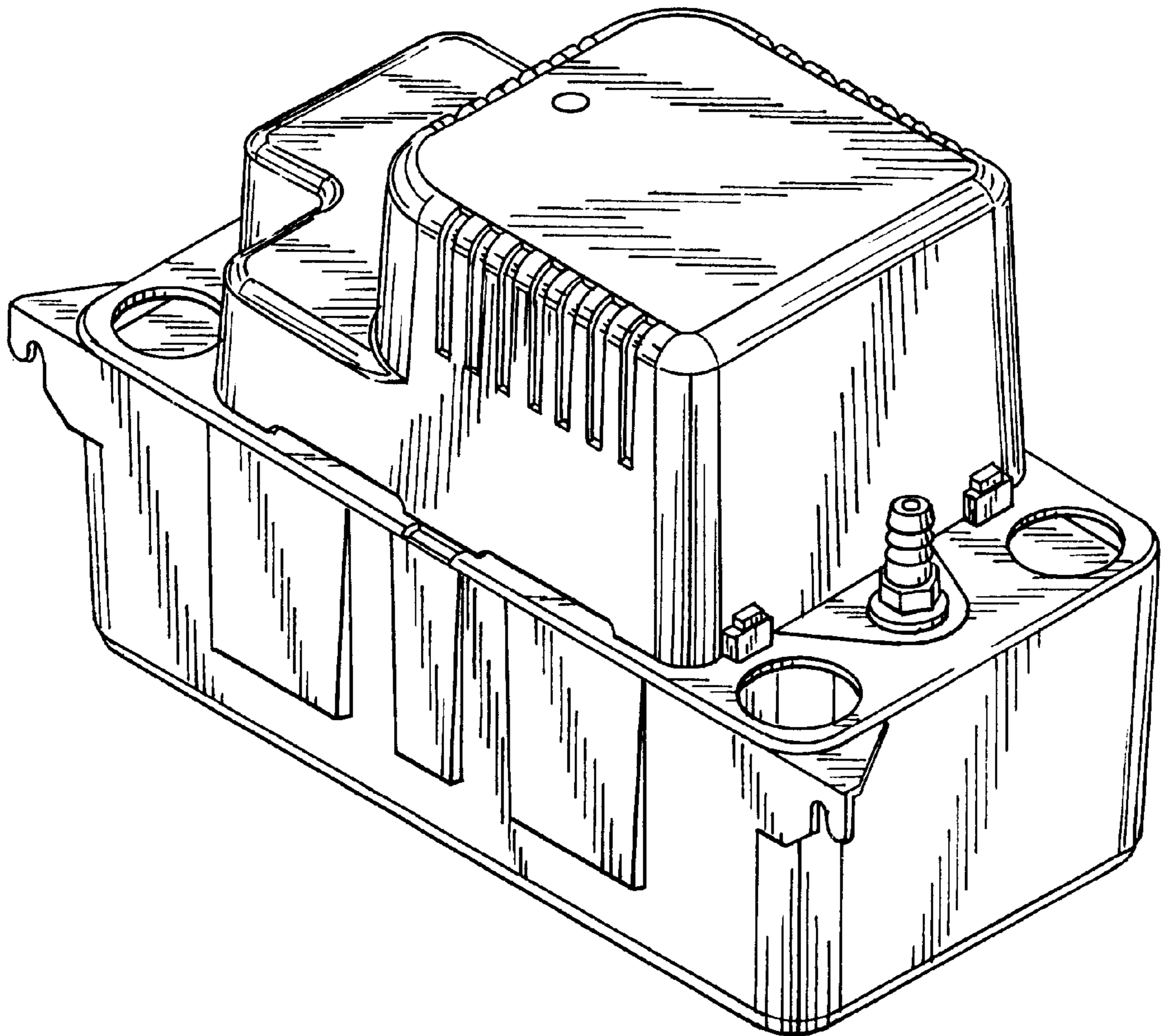


FIG. 1

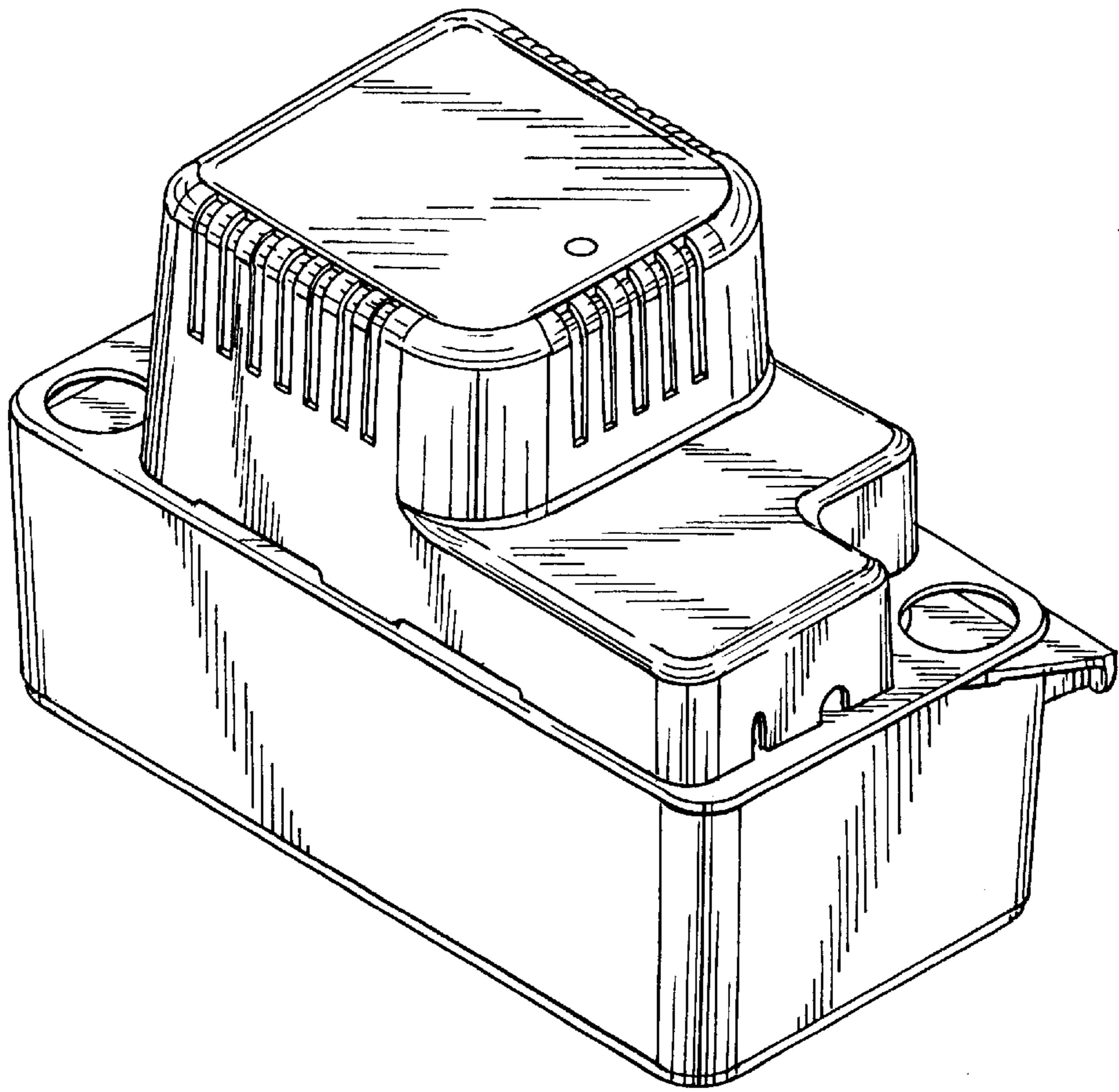


FIG. 2

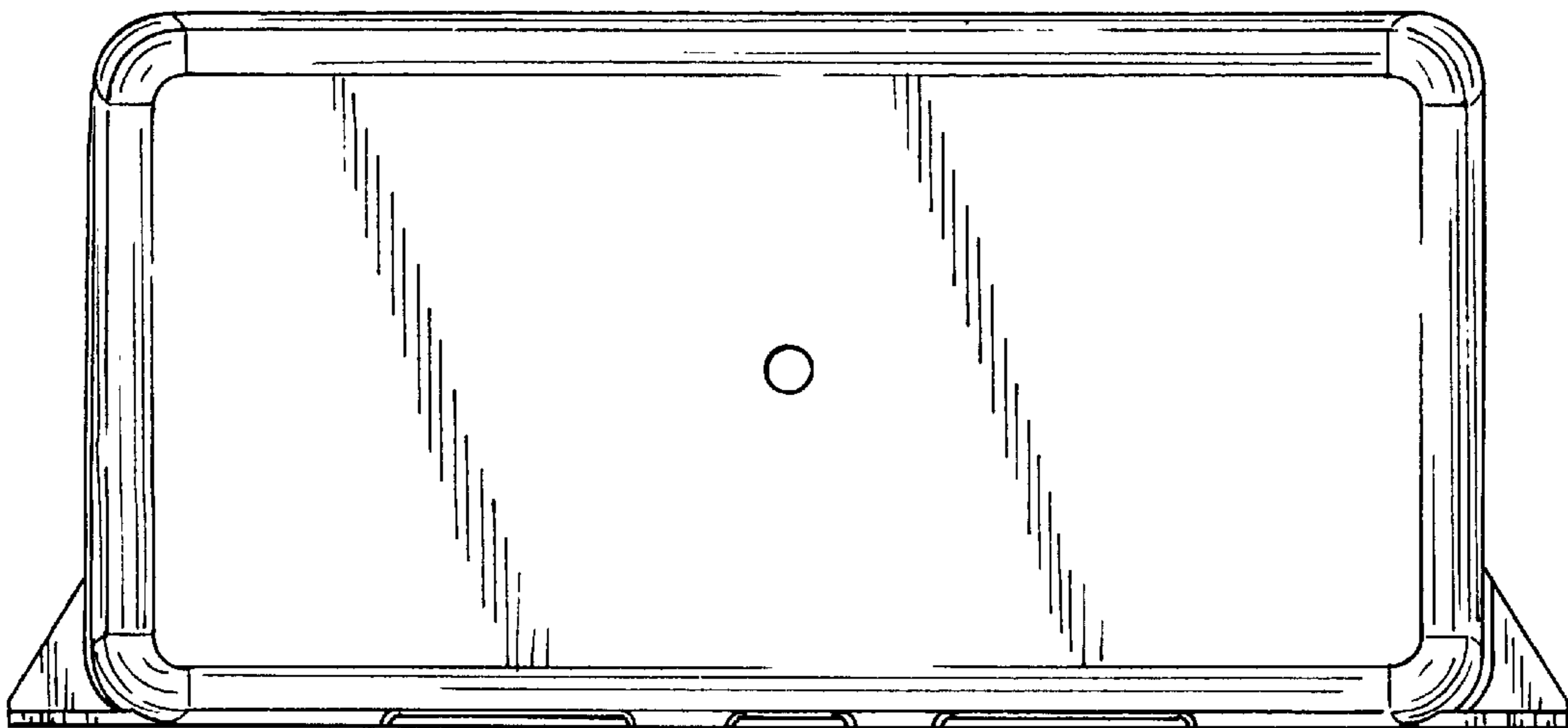


FIG. 3

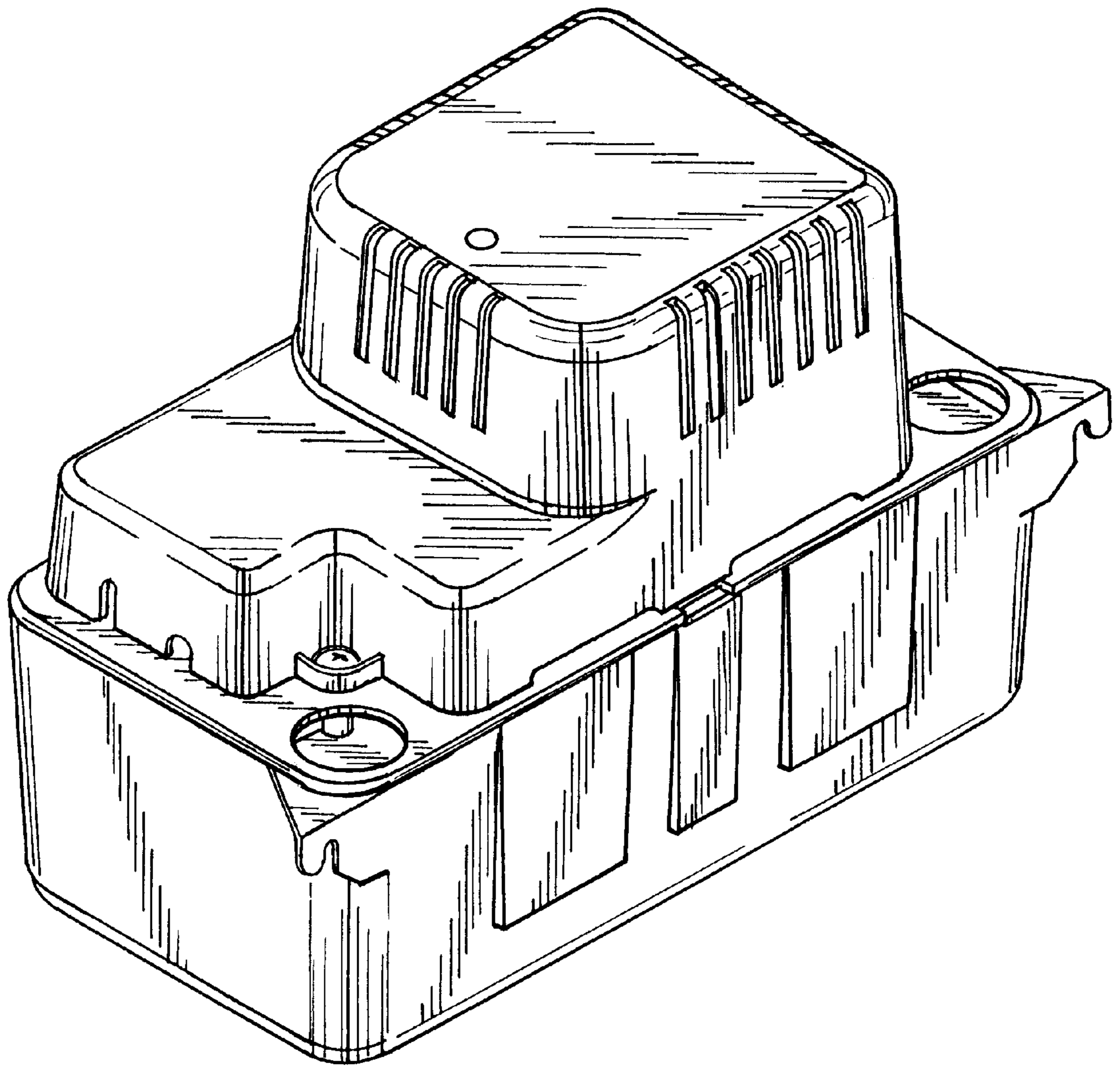


FIG. 4