



US00D414499S

United States Patent [19]

Ohi et al.

[11] Patent Number: Des. 414,499

[45] Date of Patent: ** Sep. 28, 1999

[54] ENGINE FOR AN OPERATOR-CARRIED POWER TOOL

[75] Inventors: Taku Ohi, Chandler; Kenneth J. Weger, Tempe; Kenneth M. Brazell, Phoenix, all of Ariz.

[73] Assignee: Ryobi North America, Inc., Anderson, S.C.

[**] Term: 14 Years

[21] Appl. No.: 29/090,960

[22] Filed: Jul. 21, 1998

[51] LOC (6) Cl. 15-01

[52] U.S. Cl. D15/1

[58] Field of Search D15/1-5, 9, 14-18; 123/22, 50 R, 50 A, 51 R, 51 A, 51 B, 52 R, 56 A, 70 R, 51 BD; D8/8; 30/276, 347, 390, DIG. 5; 56/12.7, 234, 239, 249, 255, 28; D32/15

[56] References Cited

U.S. PATENT DOCUMENTS

- D. 274,620 7/1984 Murakami et al. D15/1
- D. 304,196 10/1989 Tuggle et al. D15/1
- D. 342,875 1/1994 Franke et al. .

- D. 344,088 2/1994 Tuggle et al. .
- D. 349,022 7/1994 Kiyooka et al. .
- D. 355,198 2/1995 Kikuchi .
- D. 360,341 7/1995 Hirooka et al. .
- D. 361,336 8/1995 Tinius .
- D. 392,647 3/1998 Ueda et al. .
- D. 395,435 6/1998 Yoshida et al. .
- D. 396,476 7/1998 Shimizu .
- D. 398,010 9/1998 Yoshida et al. D15/1
- 5,540,291 7/1996 Coleman .
- 5,774,993 7/1998 Schlessmann .

Primary Examiner—Ralf Seifert
Attorney, Agent, or Firm—Brooks & Kushman P.C

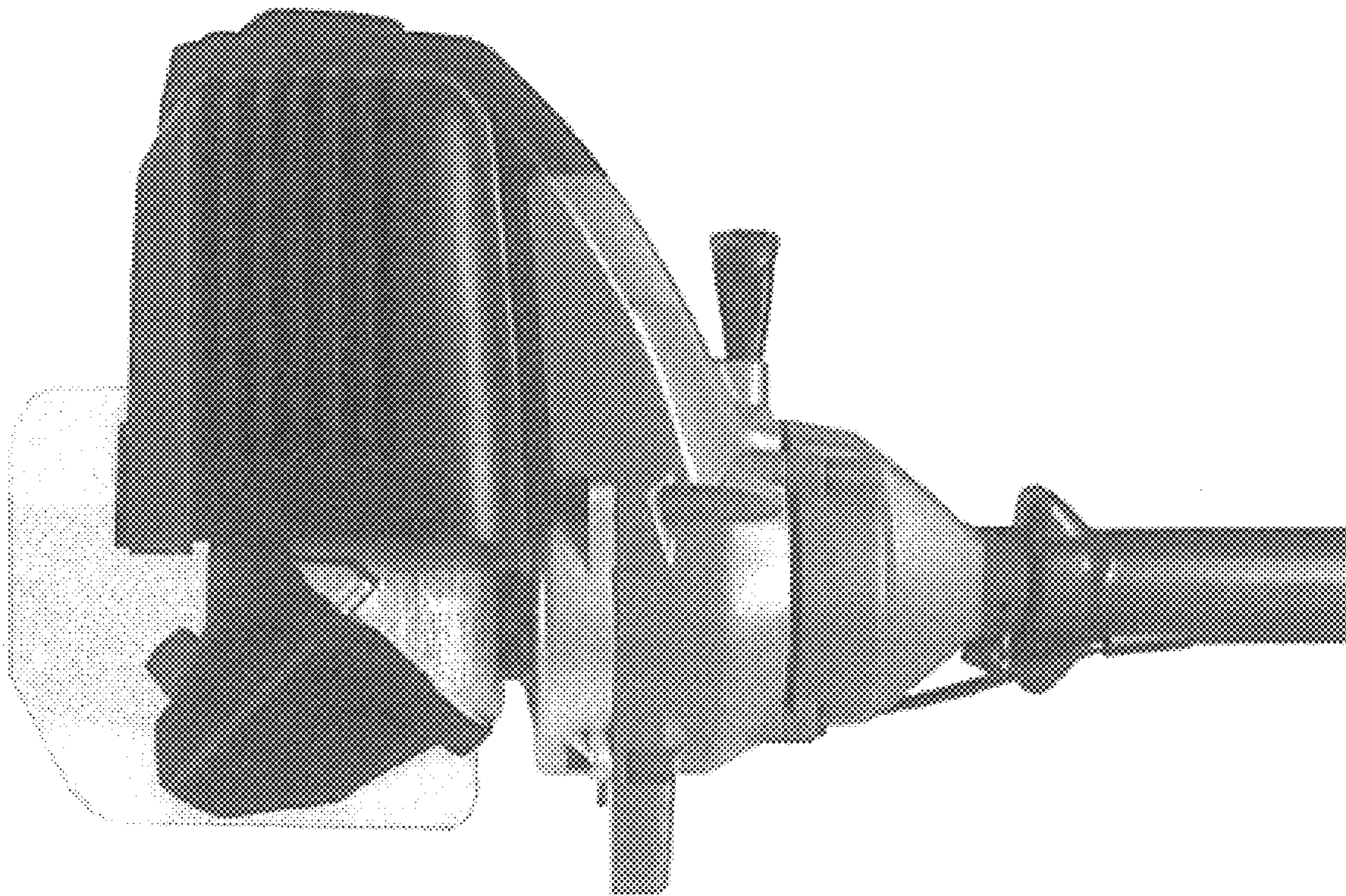
[57] CLAIM

The ornamental design for an engine for an operator-carried power tool, as shown and described.

DESCRIPTION

FIG. 1 is a right side elevational view of the Engine for an Operator-Carried Power Tool;
FIG. 2 is a left side elevational view;
FIG. 3 is a top plan view;
FIG. 4 is a bottom plan view;
FIG. 5 is a front end elevational view; and,
FIG. 6 is a rear end elevational view.

1 Claim, 3 Drawing Sheets



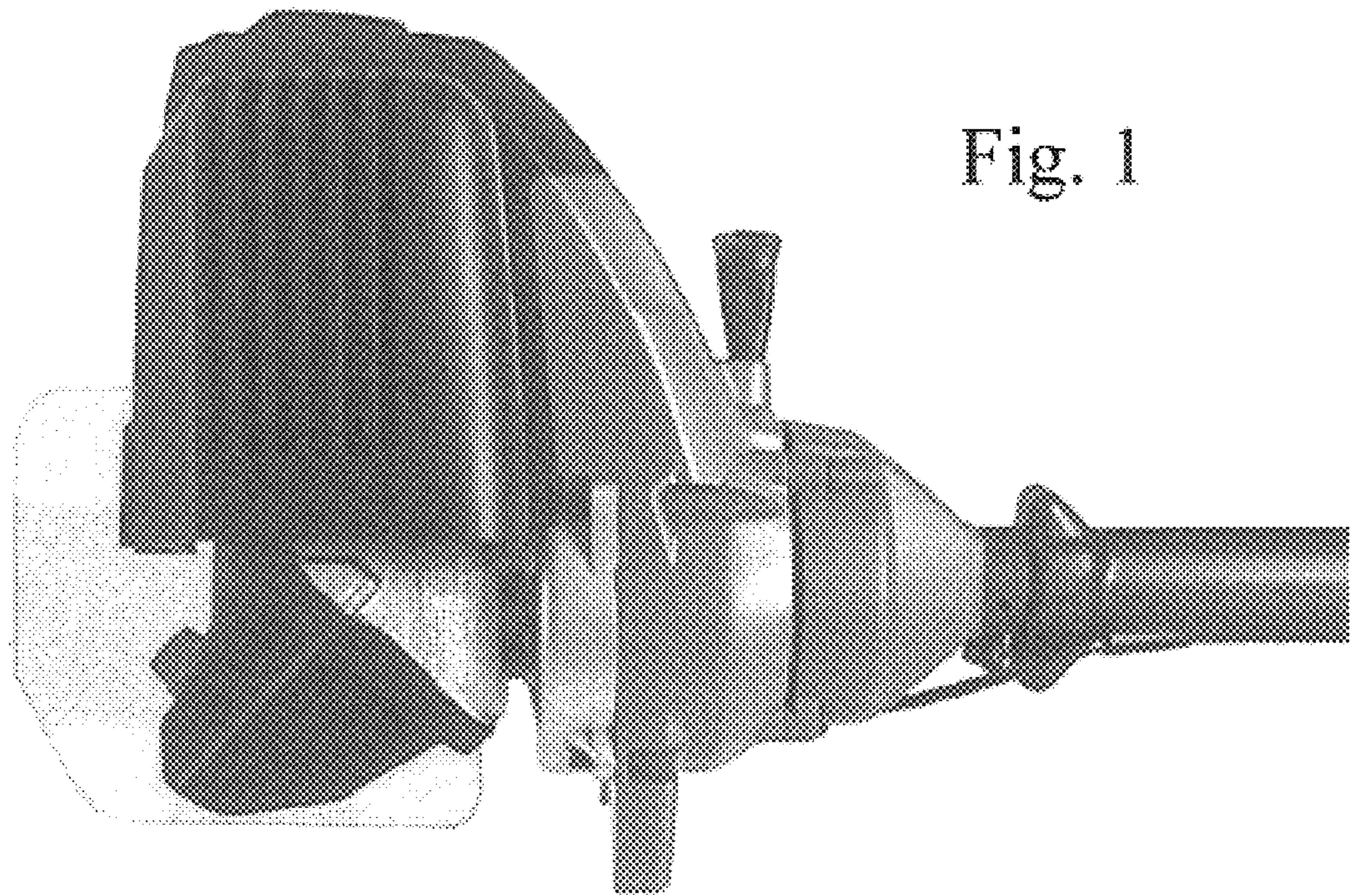


Fig. 1

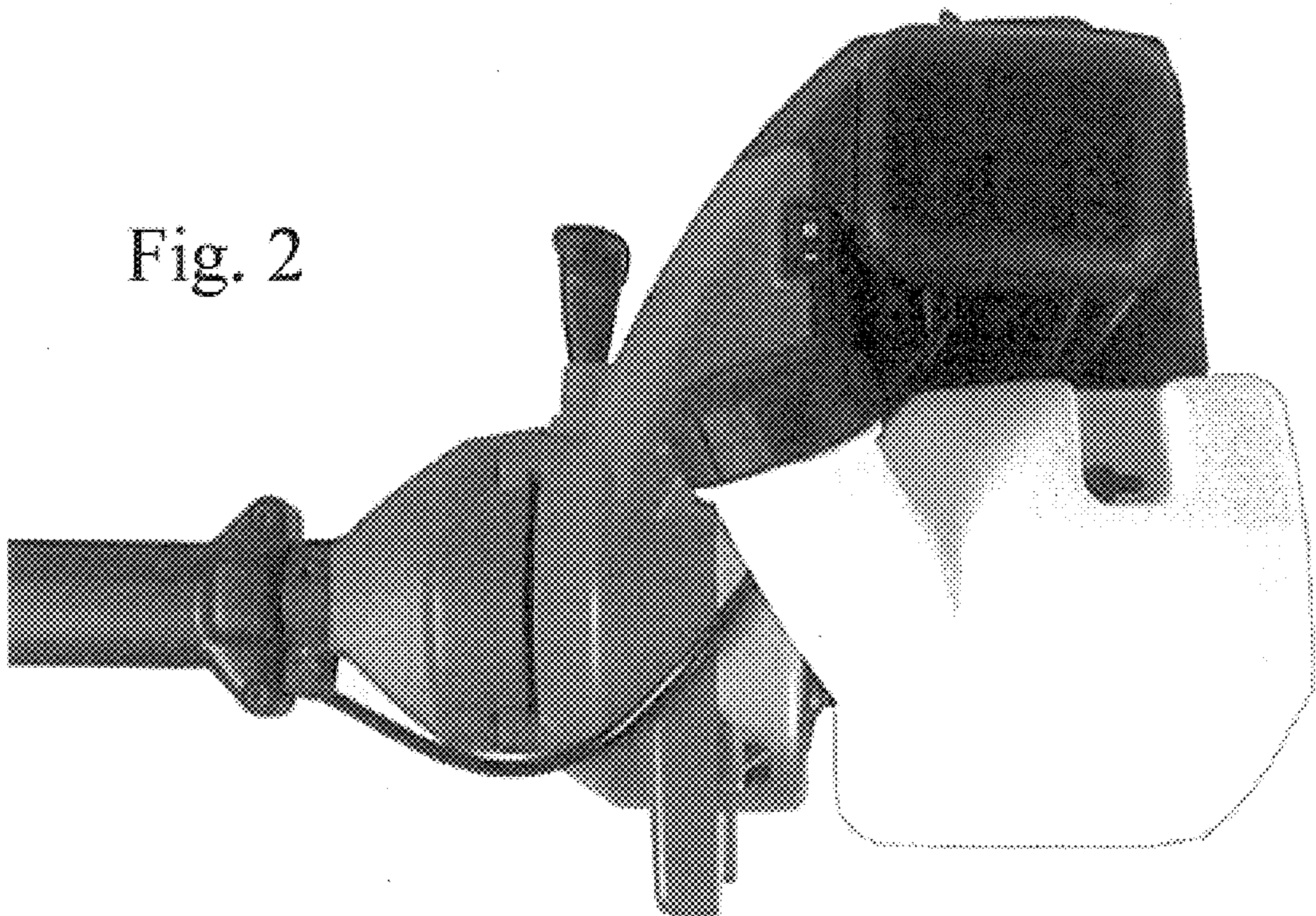


Fig. 2

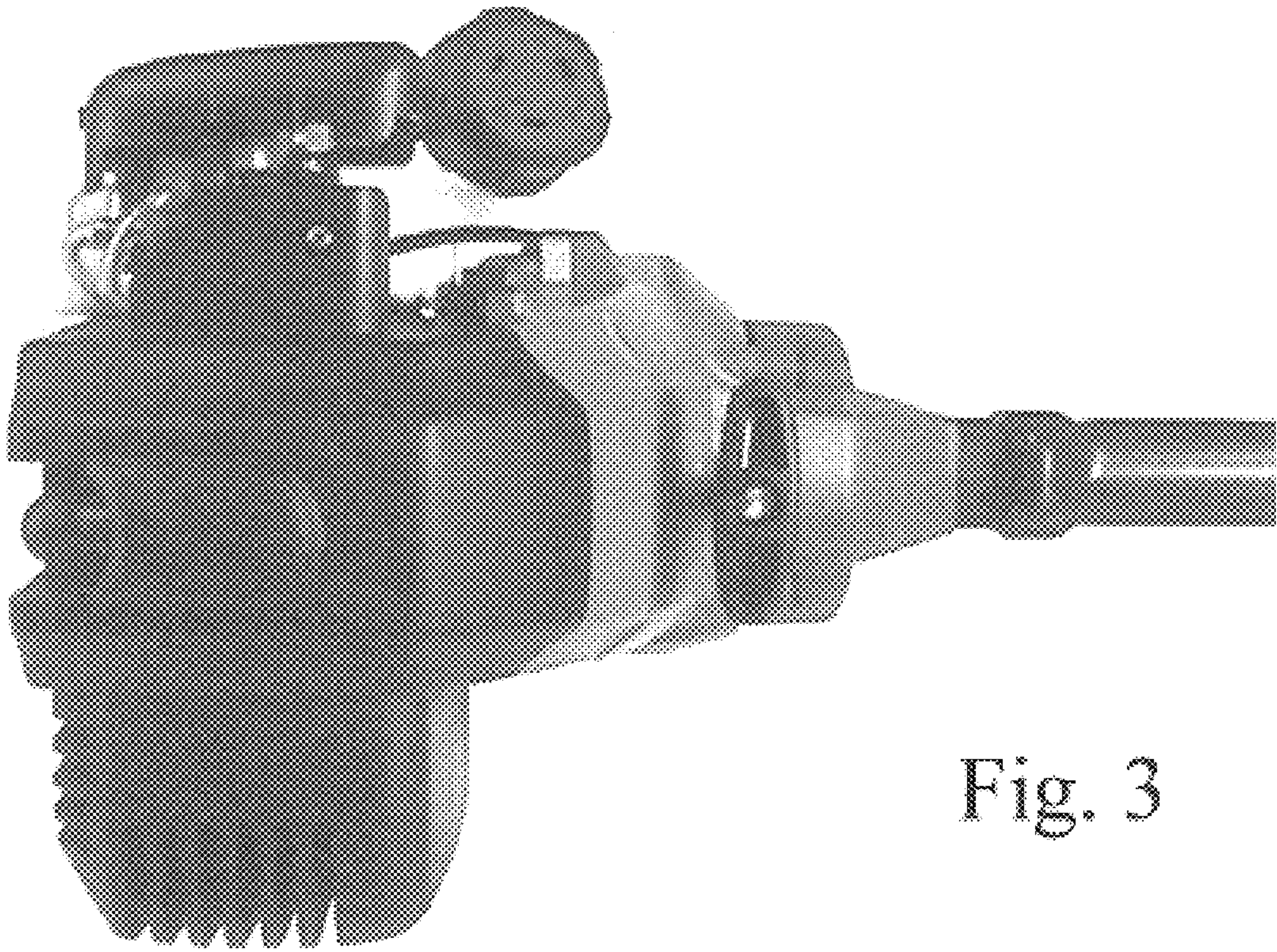


Fig. 3

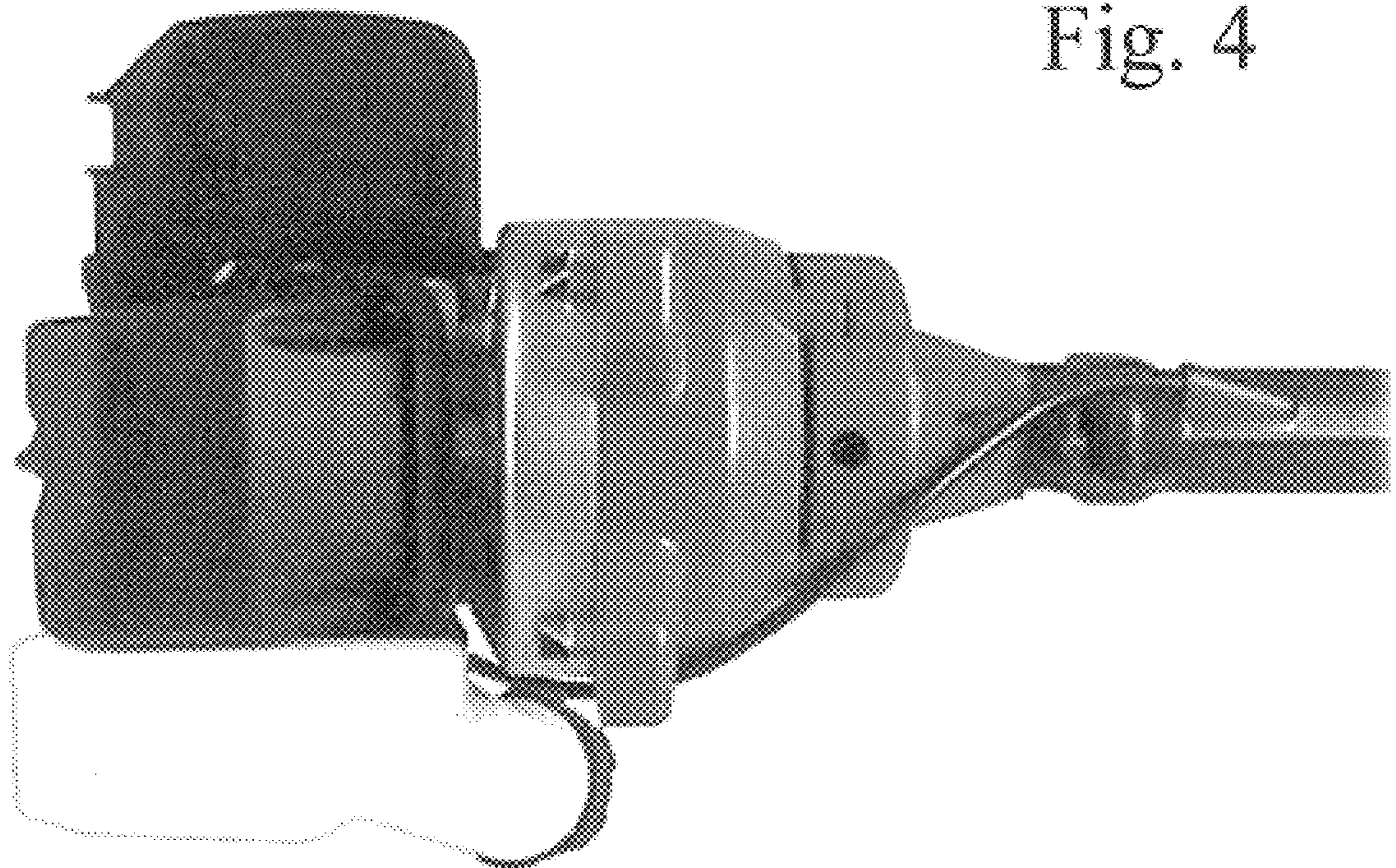


Fig. 4



Fig. 5

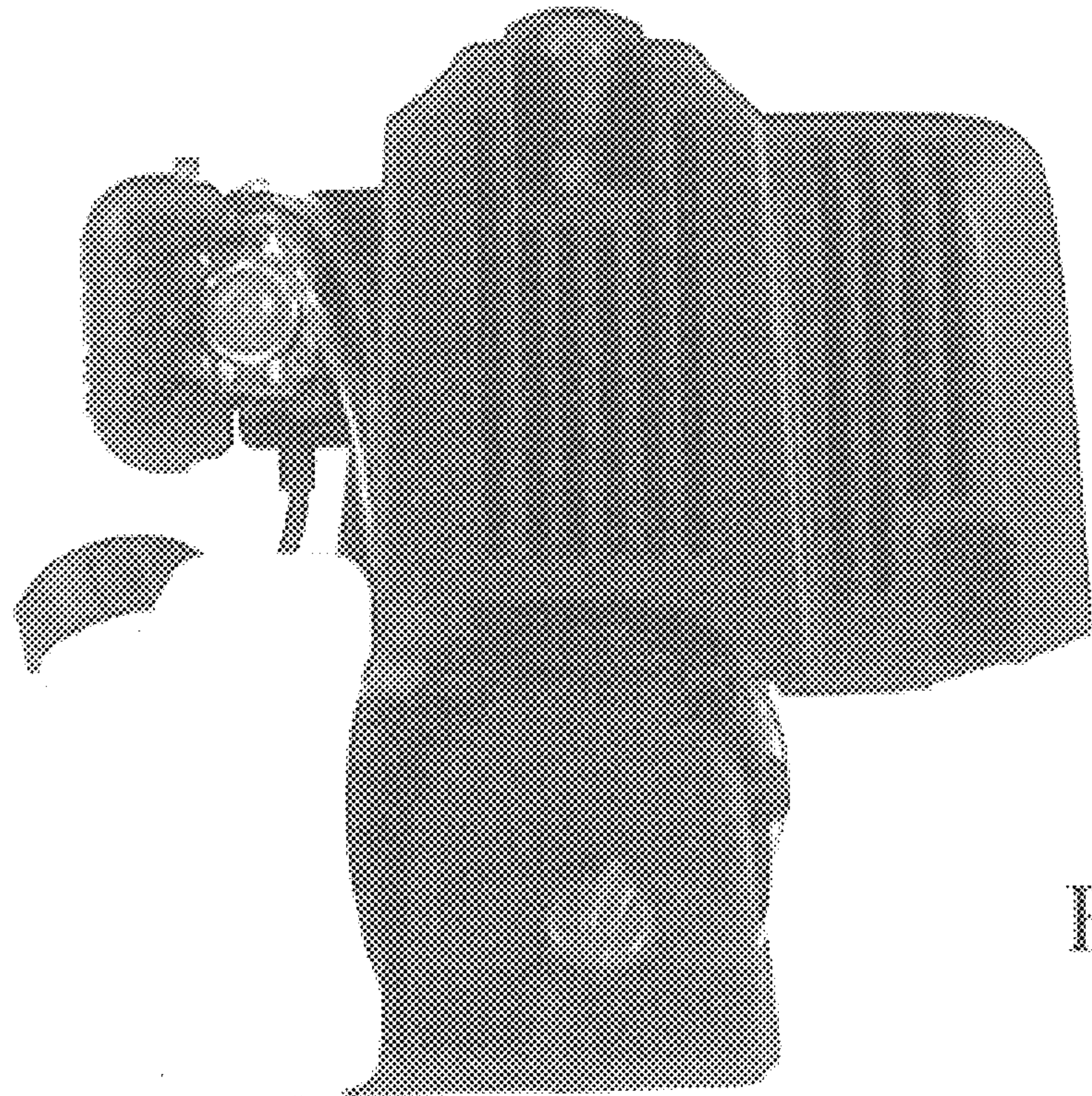


Fig. 6