



US00D414498S

United States Patent [19] Yoshida

[11] Patent Number: Des. 414,498

[45] Date of Patent: ** Sep. 28, 1999

[54] INTERNAL COMBUSTION ENGINE

[75] Inventor: Isao Yoshida, Urawa, Japan

[73] Assignee: Honda Giken Kogyo Kabushiki Kaishi, Tokyo, Japan

[**] Term: 14 Years

[21] Appl. No.: 29/090,677

[22] Filed: Jul. 14, 1998

[30] Foreign Application Priority Data

Jan. 16, 1998 [JP] Japan 10-689

[51] LOC (6) Cl. 15-01

[52] U.S. Cl. D15/1

[58] Field of Search D15/1, 2; 123/156 BA, 123/50 A, 56, 41.7, 198 E; D34/15; 46/78, 249, 39

[56] References Cited

U.S. PATENT DOCUMENTS

- D. 282,071 1/1986 Nakamura D15/1
- D. 305,432 1/1990 Hashigaki D15/1
- D. 307,148 4/1990 Mikado D15/1
- D. 309,611 7/1990 Yamada D15/1

- D. 310,373 9/1990 Ishii et al. D15/1
- D. 324,211 2/1992 Lam .
- D. 324,221 2/1992 Kiyooka et al. .
- D. 331,929 12/1992 Leaf et al. D15/1
- D. 367,070 2/1996 Maeda et al. .
- D. 392,647 3/1998 Veda et al. D15/1
- 4,233,043 11/1980 Catterson .
- 5,197,426 3/1993 Frangesch et al. .

Primary Examiner—Ralf Seifert
Attorney, Agent, or Firm—Blank Rome Comisky & McCauley, LLP

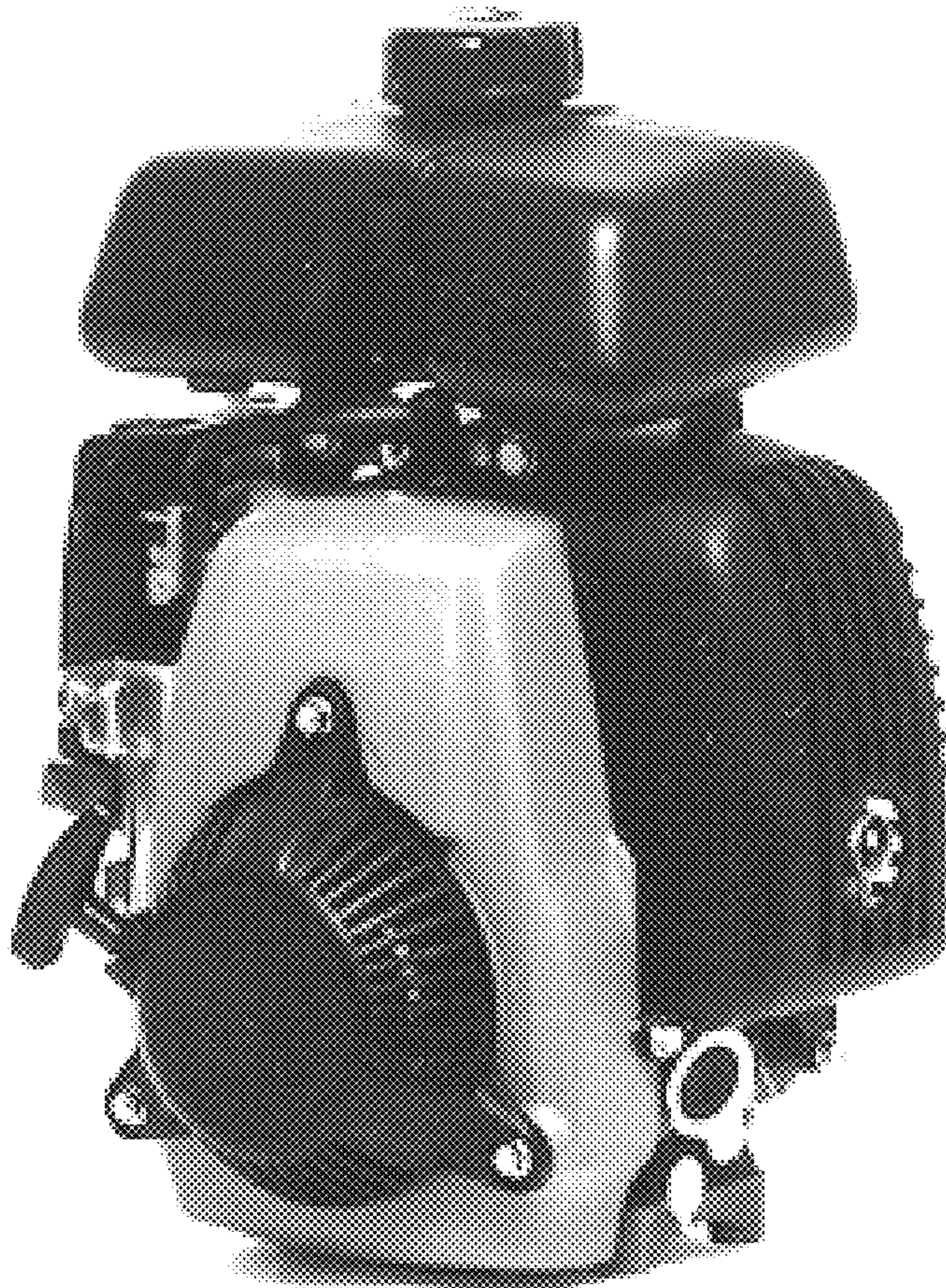
[57] CLAIM

The ornamental design for an internal combustion engine, as shown and described.

DESCRIPTION

FIG. 1 is a front elevational view of the internal combustion engine showing my new design;
FIG. 2 is a rear elevational view of FIG. 1;
FIG. 3 is a right side elevational view of FIG. 1;
FIG. 4 is a left side elevational view of FIG. 1;
FIG. 5 is a top plan view of FIG. 1;
FIG. 6 is a bottom plan view of FIG. 1;
FIG. 7 is a front prospective view of FIG. 1; and,
FIG. 8 is a rear prospective view of FIG. 1.

1 Claim, 4 Drawing Sheets



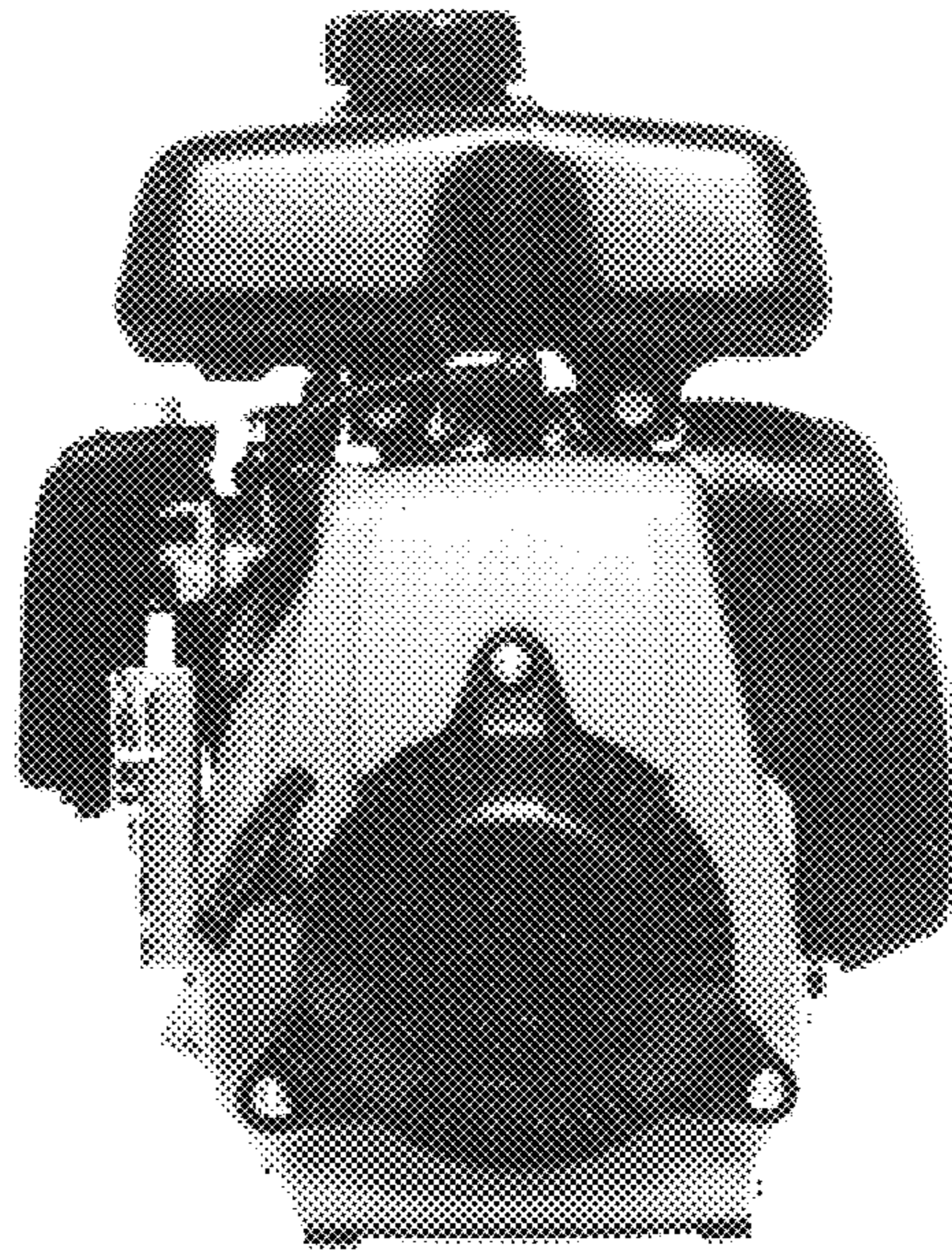


FIG. 1

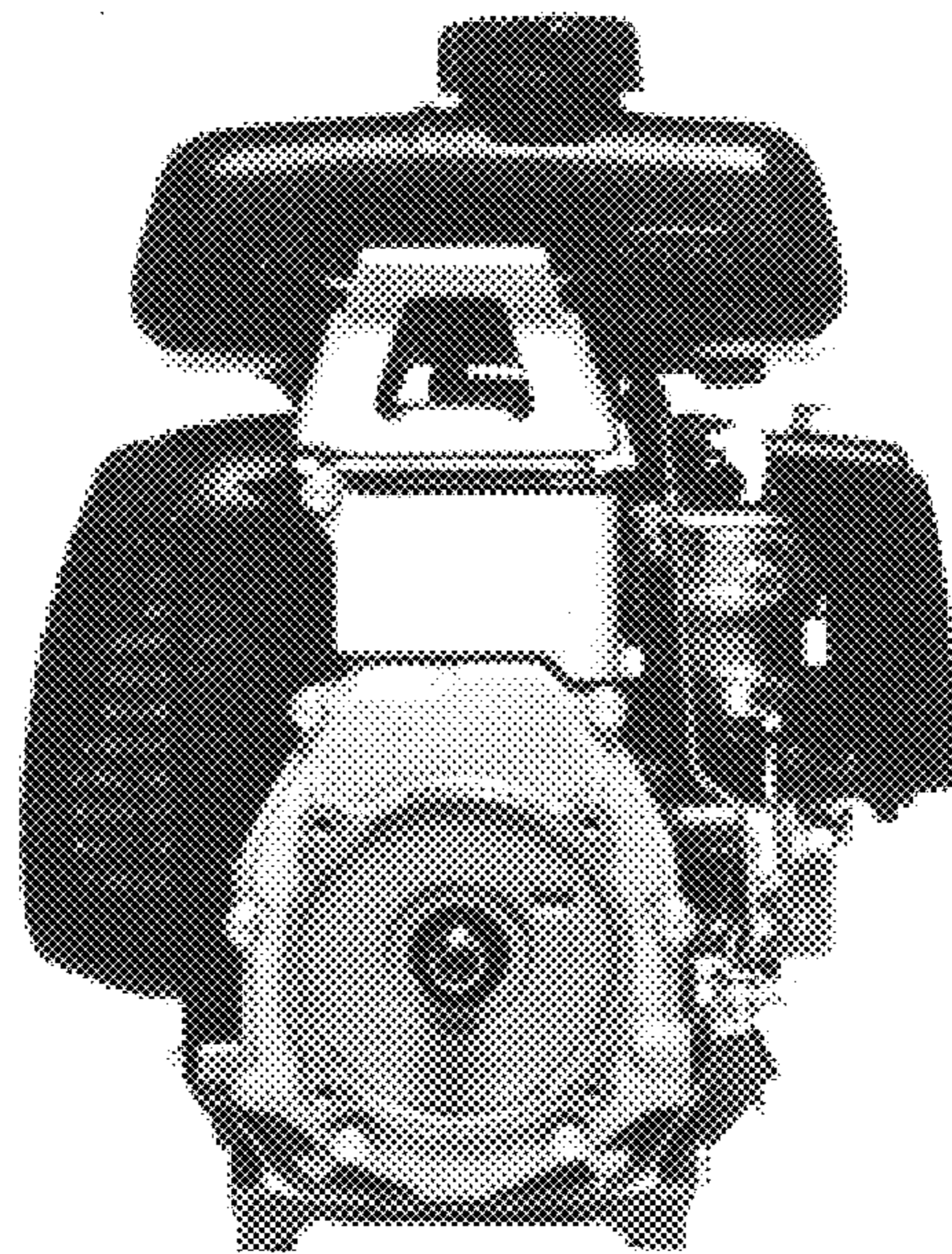


FIG. 2

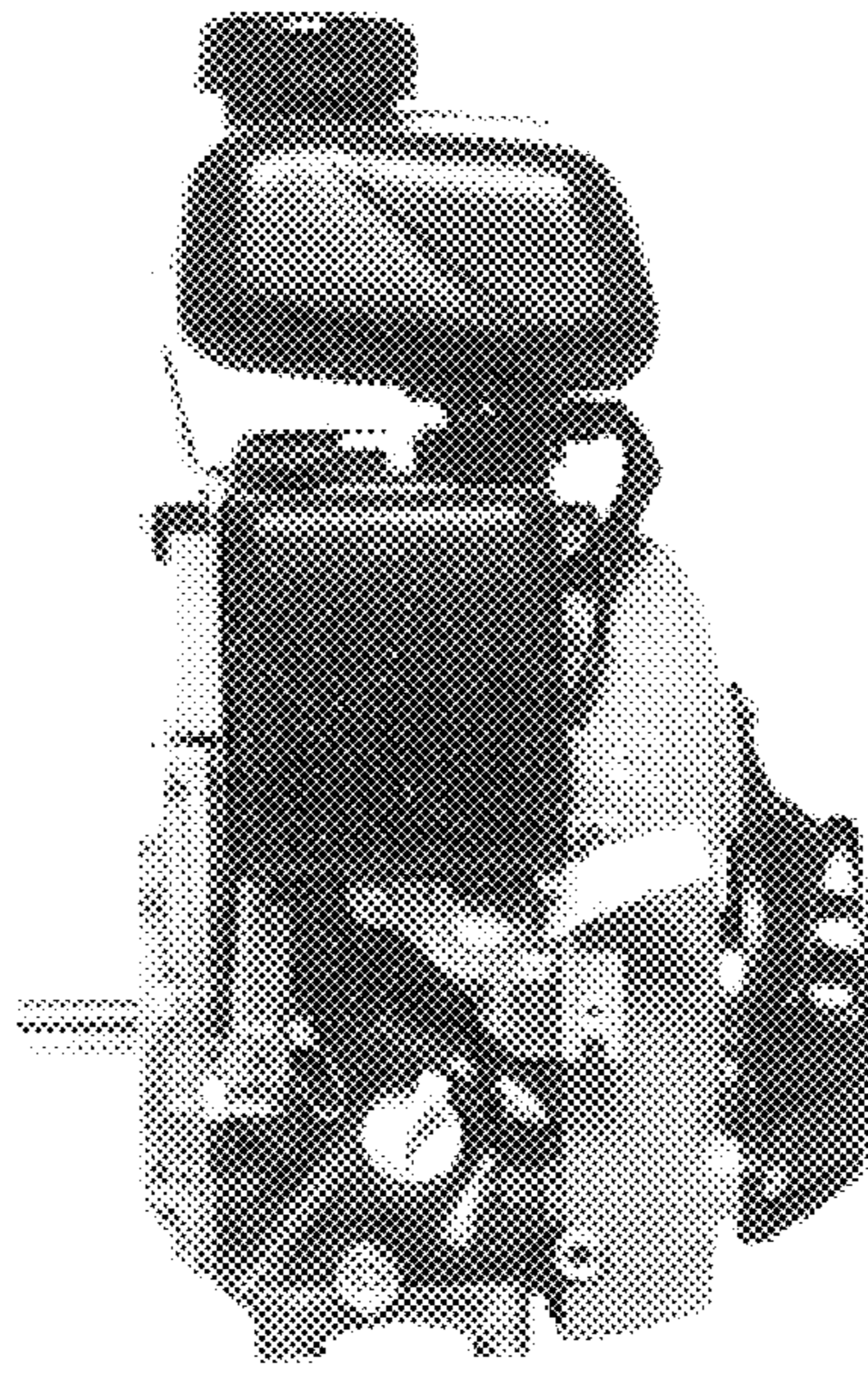


FIG. 3

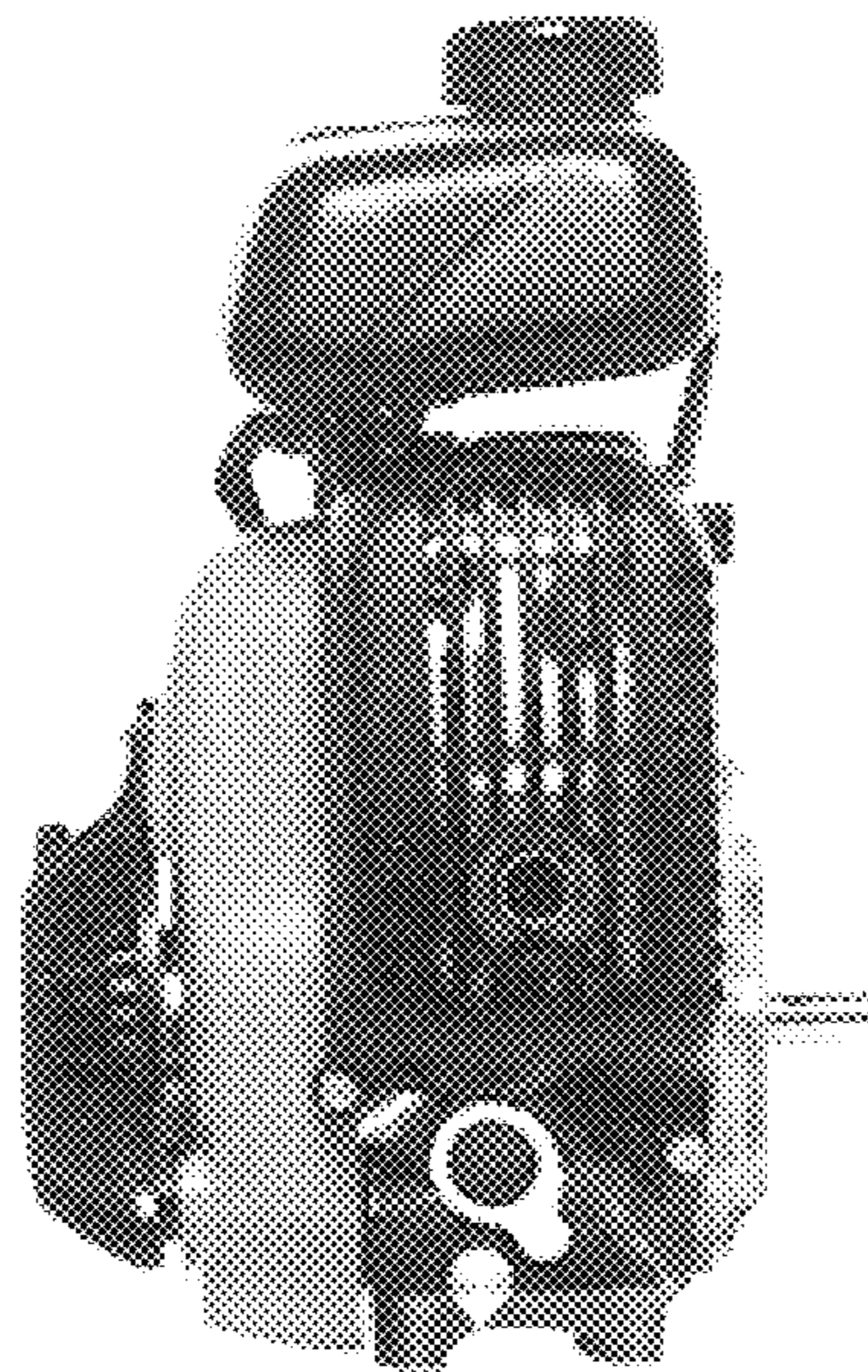


FIG. 4

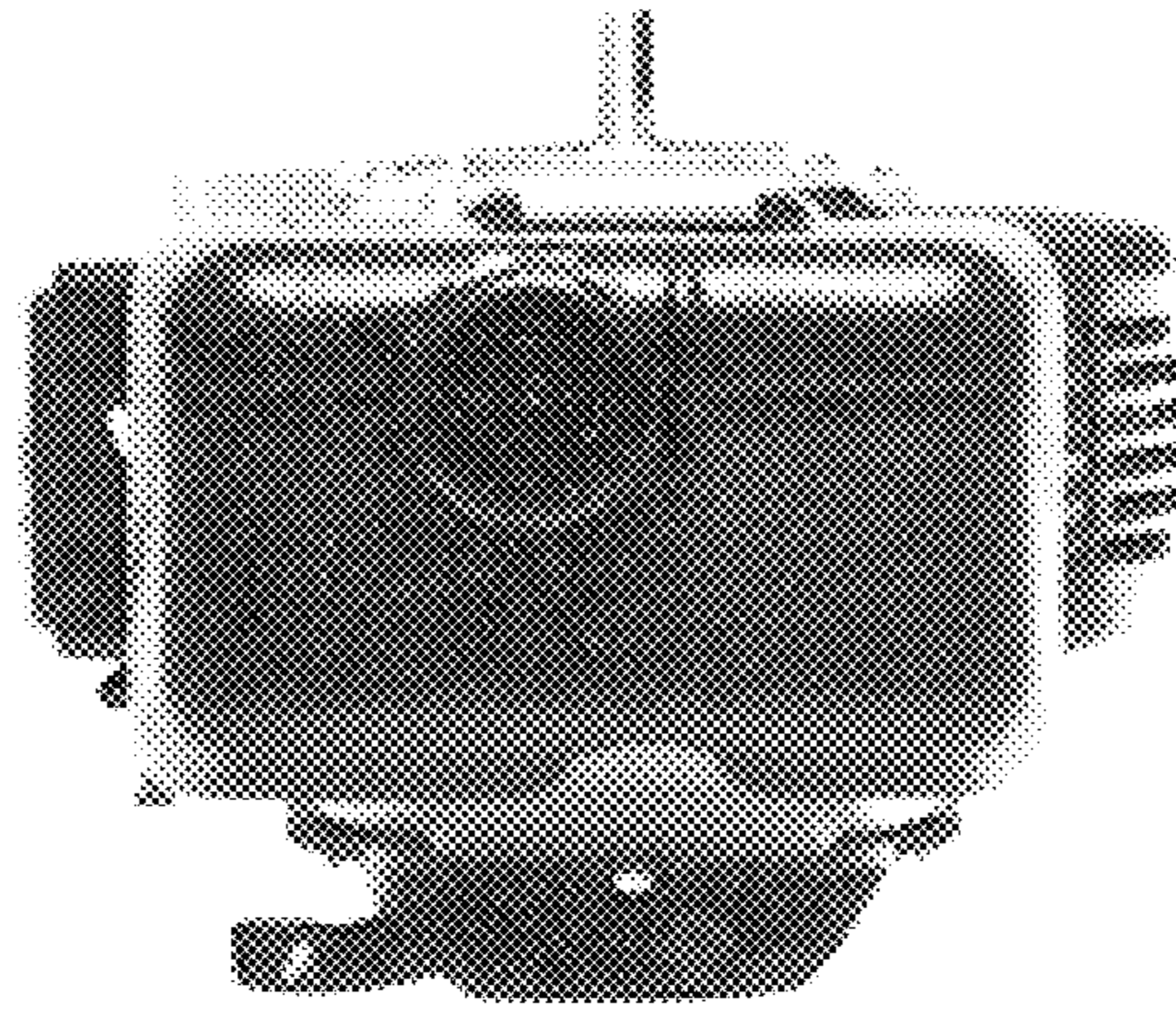


FIG. 5

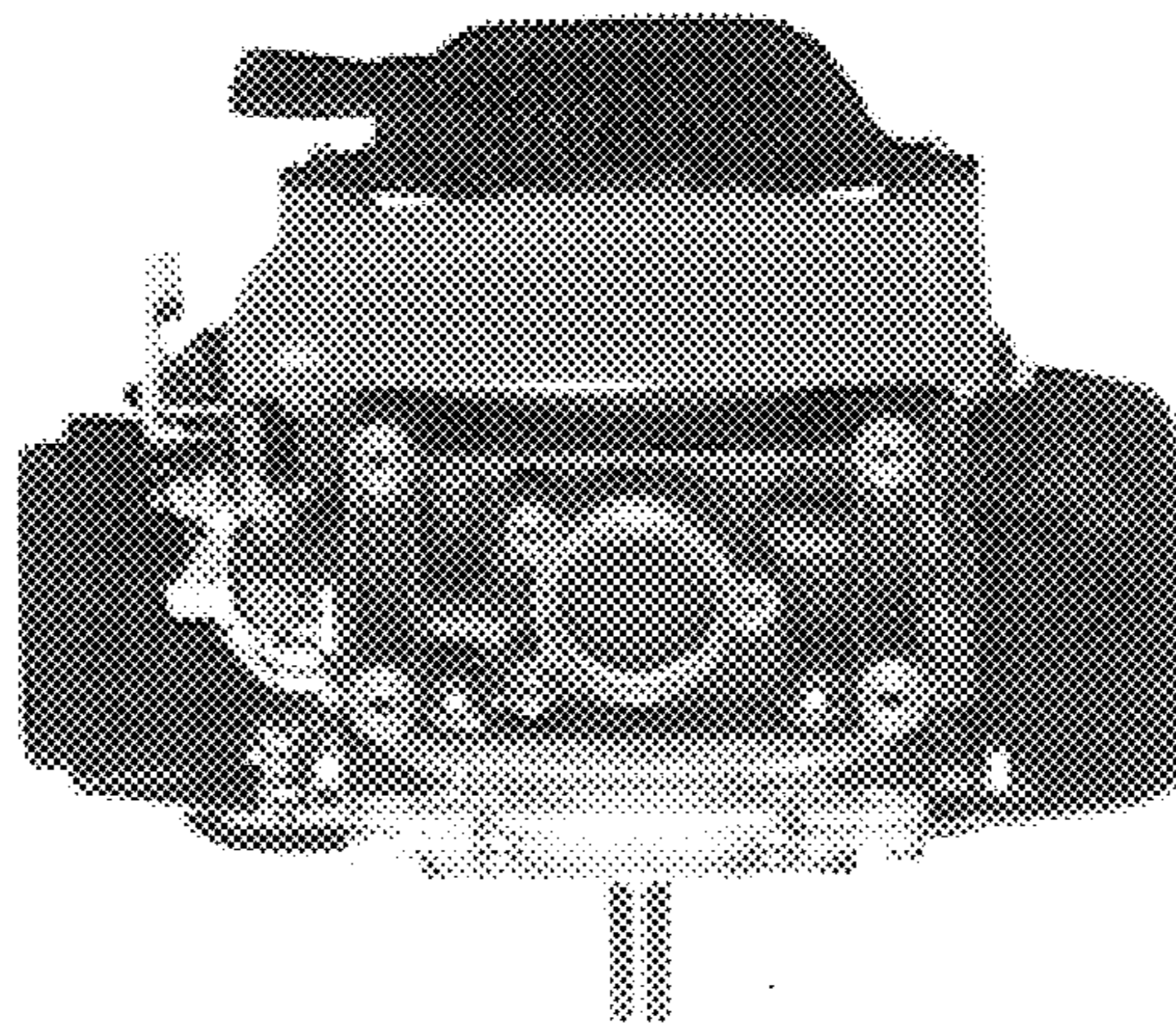


FIG. 6

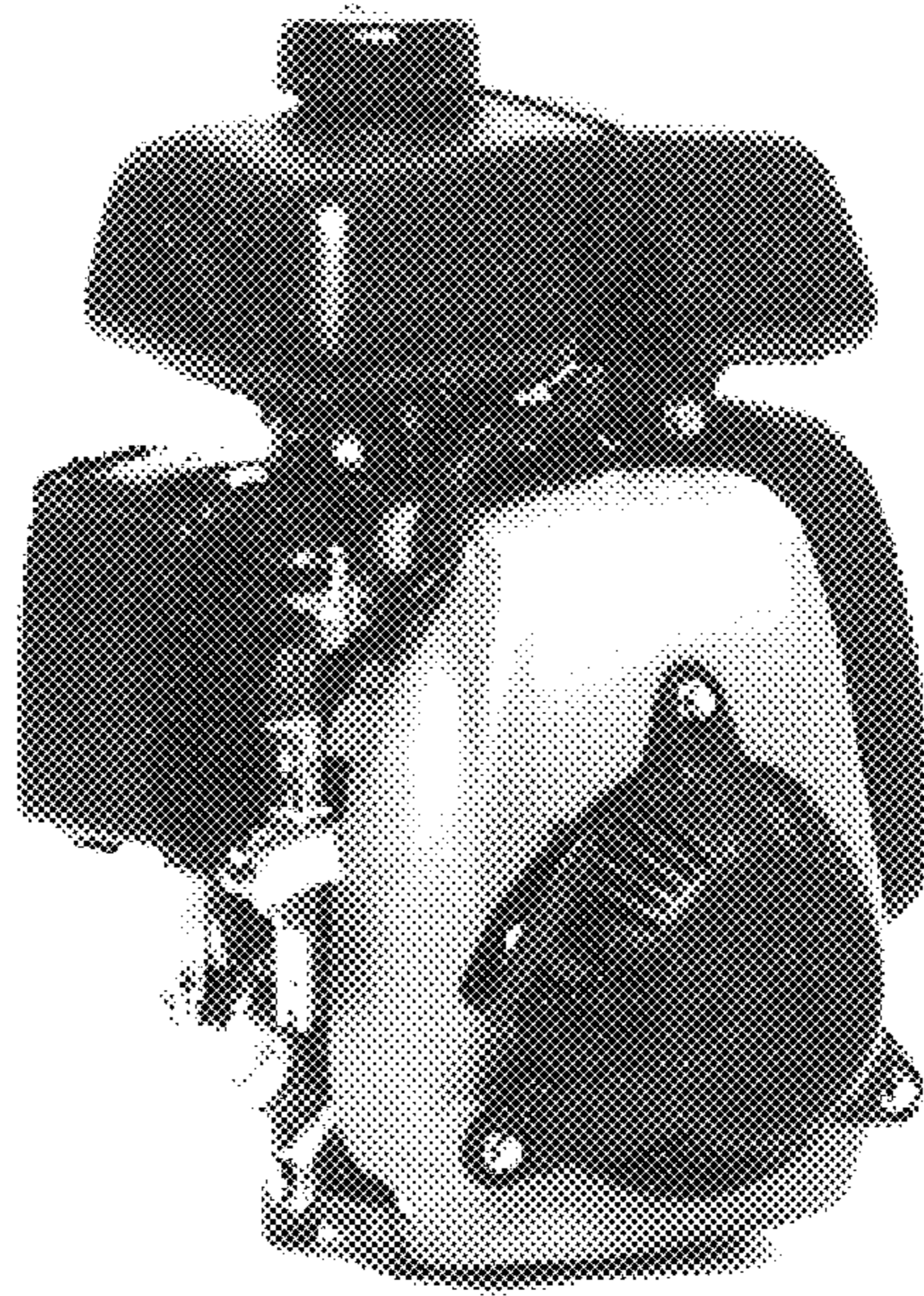


FIG. 7

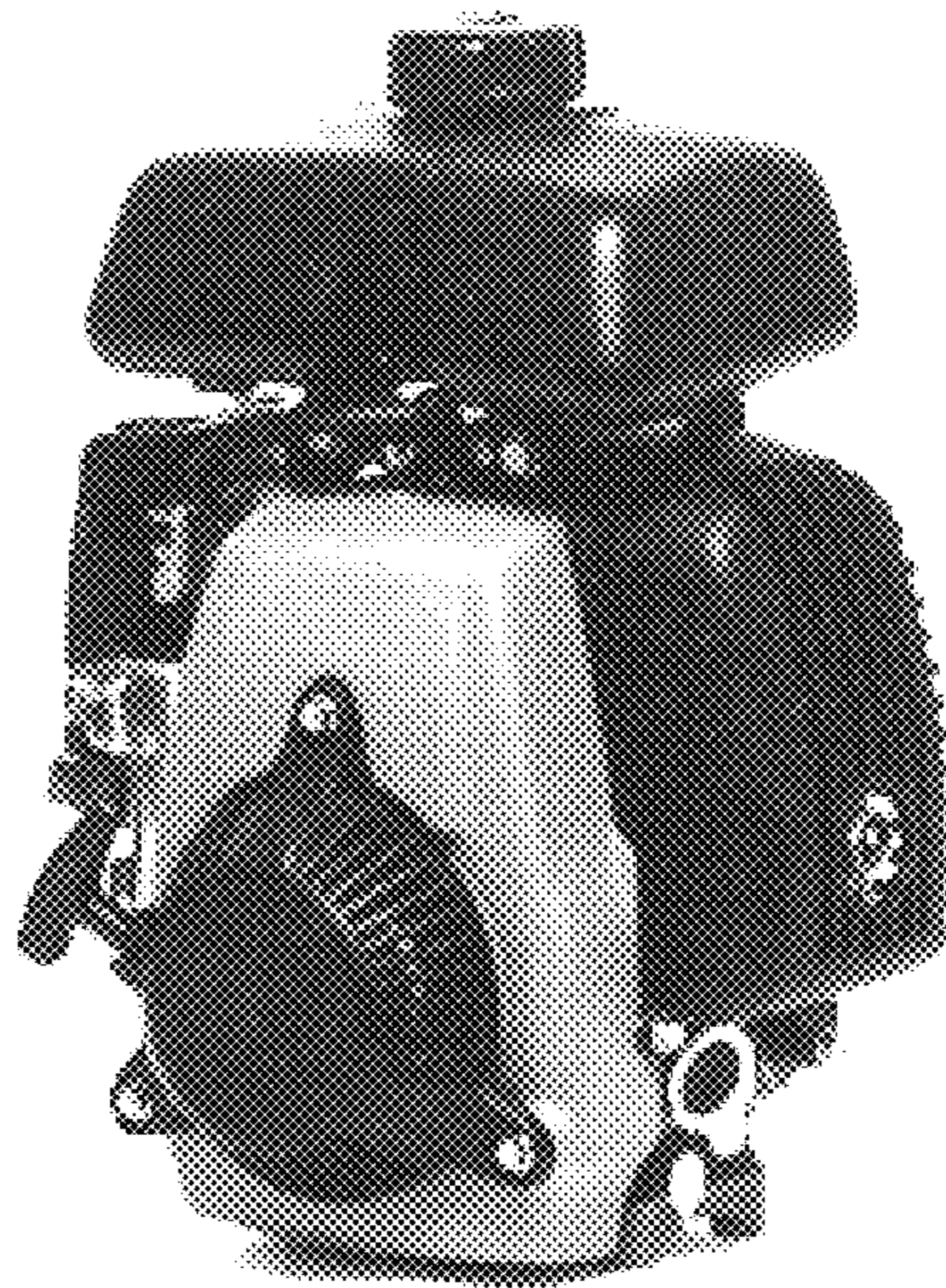


FIG. 8