



US00D414496S

# United States Patent [19]

Tucker et al.

[11] Patent Number: **Des. 414,496**

[45] Date of Patent: **\*\* Sep. 28, 1999**

[54] **HOUSING FOR ELECTRONIC COMPONENTS**

[75] Inventors: **Russell L. Tucker**, Sebastopol; **Mark S. McCall**, Santa Rosa; **Bernabe R. Lovina**, Benecia, all of Calif.

[73] Assignee: **Next Level Communications**, Rohnert Park, Calif.

[\*\*] Term: **14 Years**

[21] Appl. No.: **29/079,335**

[22] Filed: **May 30, 1997**

[51] **LOC (6) Cl.** ..... **14-03**

[52] **U.S. Cl.** ..... **D14/240; D13/184**

[58] **Field of Search** ..... D14/140, 240, D14/100, 107, 114; D13/146, 147, 184; 361/736, 679, 801; 379/428, 440, 441, 442; 385/134, 135, 147

[56] **References Cited**

**U.S. PATENT DOCUMENTS**

D. 304,193 10/1989 Lotz ..... D14/240

D. 389,840	1/1998	Tucker et al. ....	D14/240
D. 391,263	2/1998	Tucker et al. ....	D14/240
D. 404,018	1/1999	Tucker et al. ....	D13/184
5,067,785	11/1991	Schirbl et al. ....	385/147
5,546,282	8/1996	Hill et al. ....	361/801
5,828,807	10/1998	Tucker et al. ....	385/135

*Primary Examiner*—Adir Aronovich  
*Attorney, Agent, or Firm*—Skjerven, Morrill, MacPherson, Franklin & Friel, LLP; David W. Heid

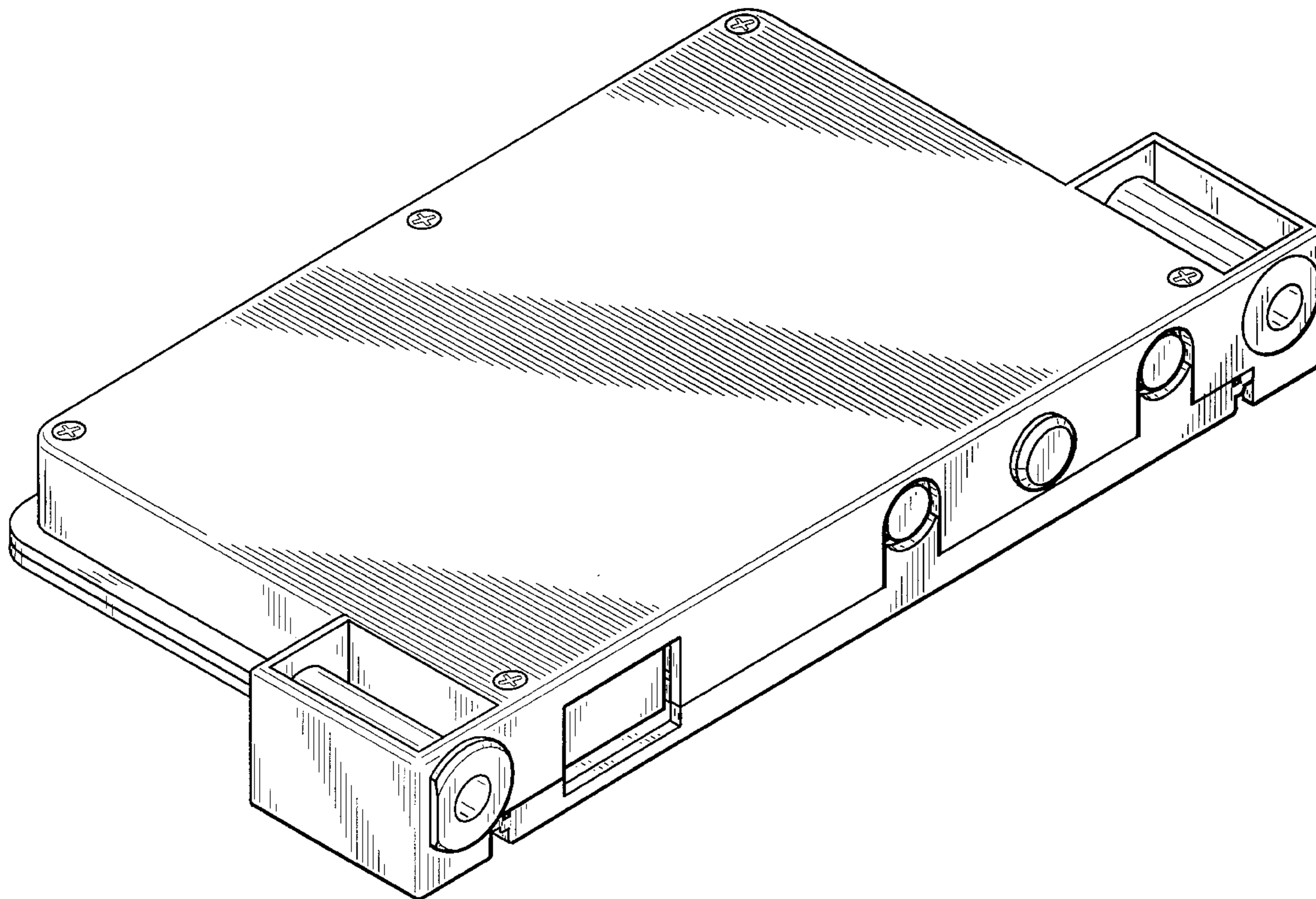
[57] **CLAIM**

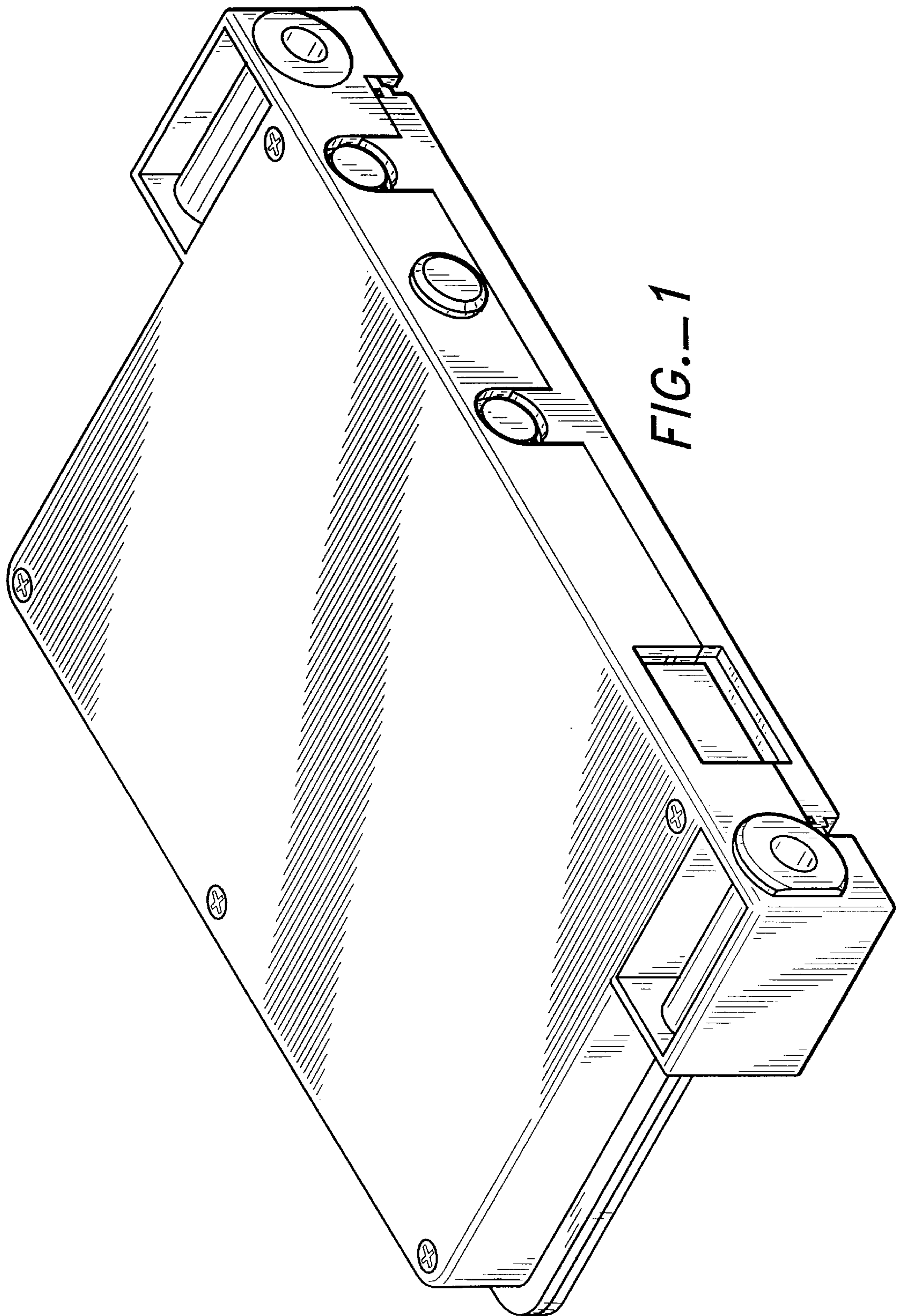
The ornamental design for a housing for electronic components, as shown and described.

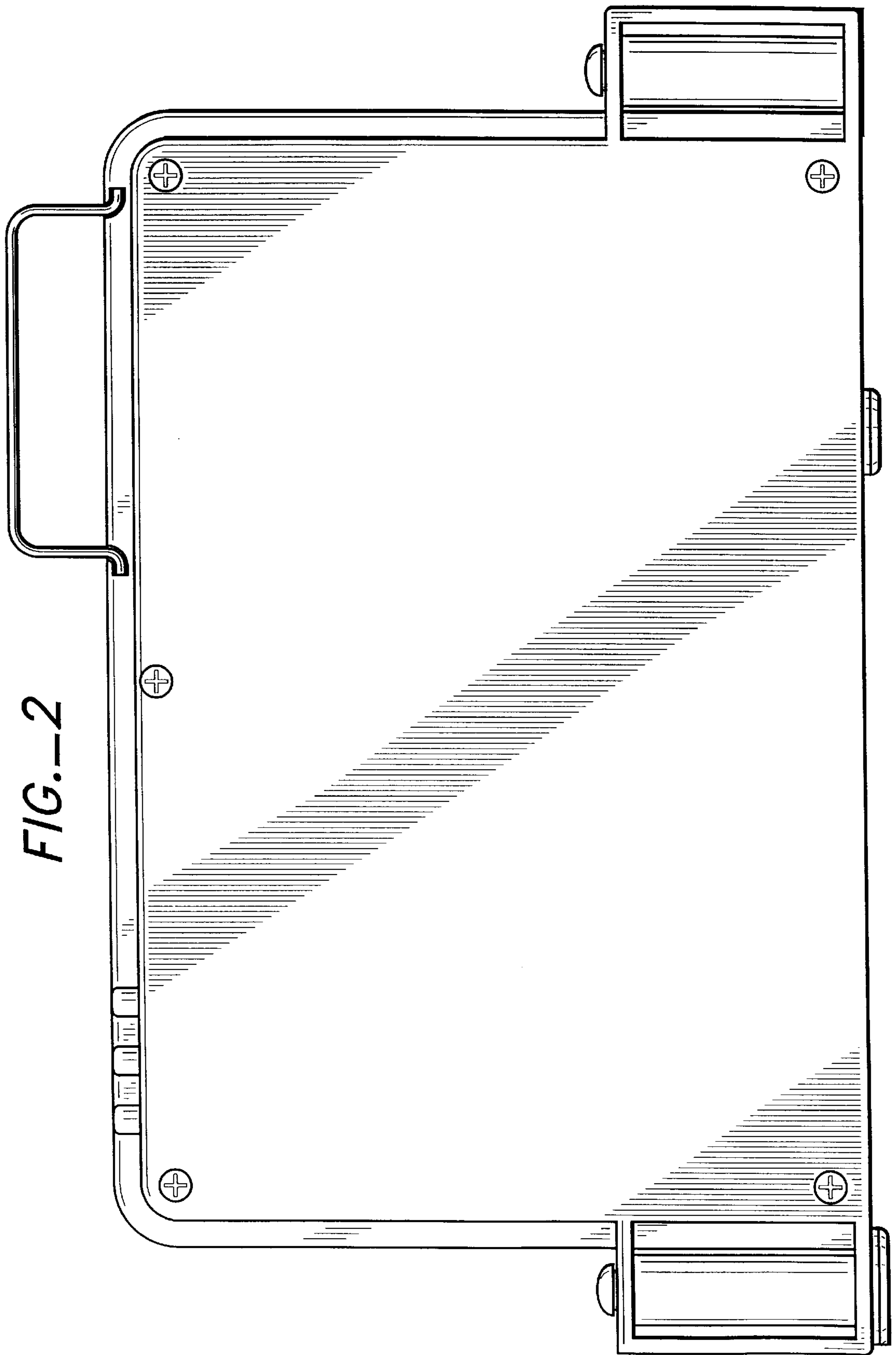
**DESCRIPTION**

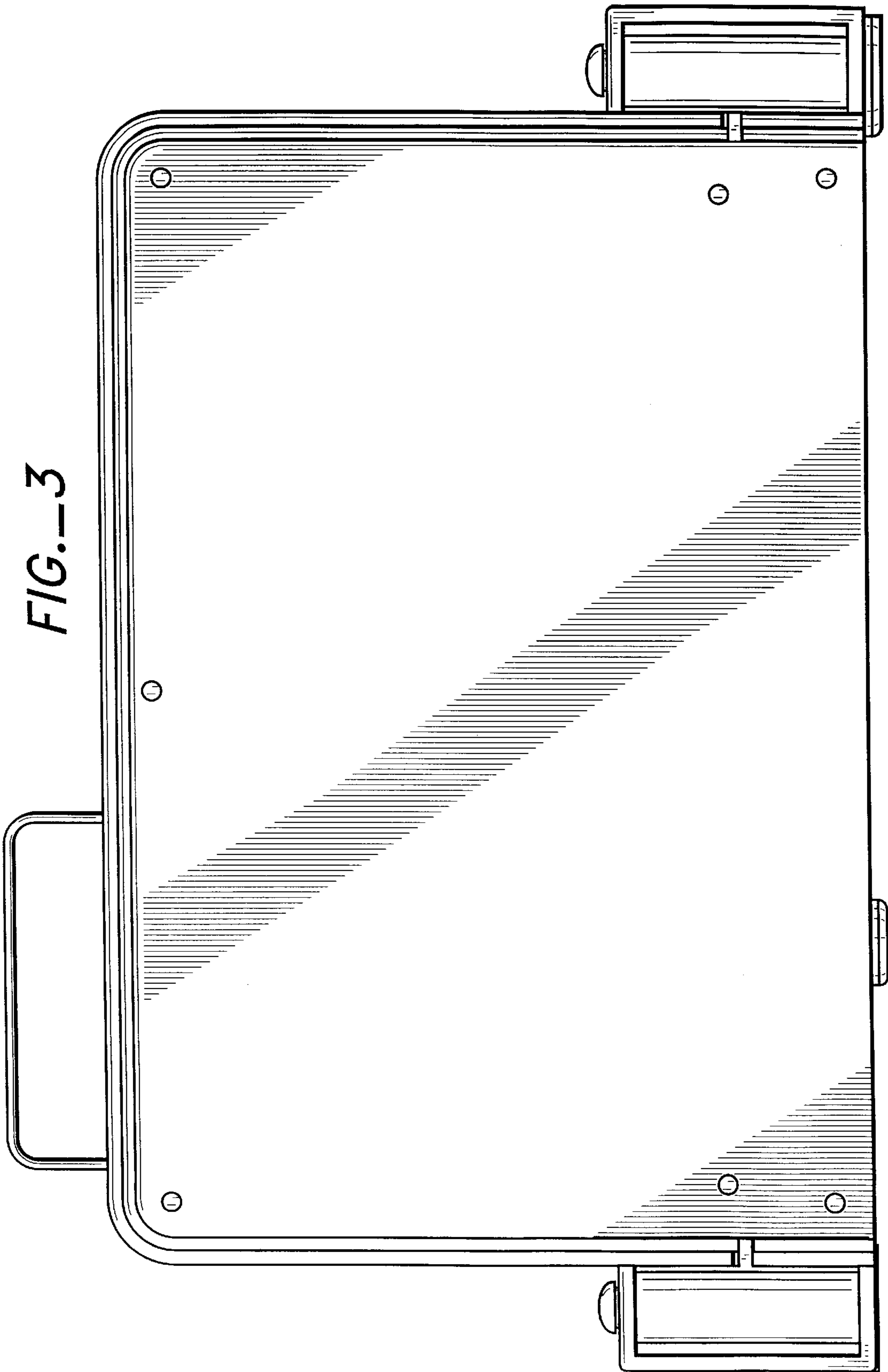
FIG. 1 is a perspective front elevation view of a housing for electronic components.  
FIG. 2 is a top view thereof;  
FIG. 3 is a bottom view thereof;  
FIG. 4 is a front elevational view thereof;  
FIG. 5 is a rear elevational view thereof;  
FIG. 6 is a right side view thereof; and,  
FIG. 7 is a left side view thereof.

**1 Claim, 5 Drawing Sheets**









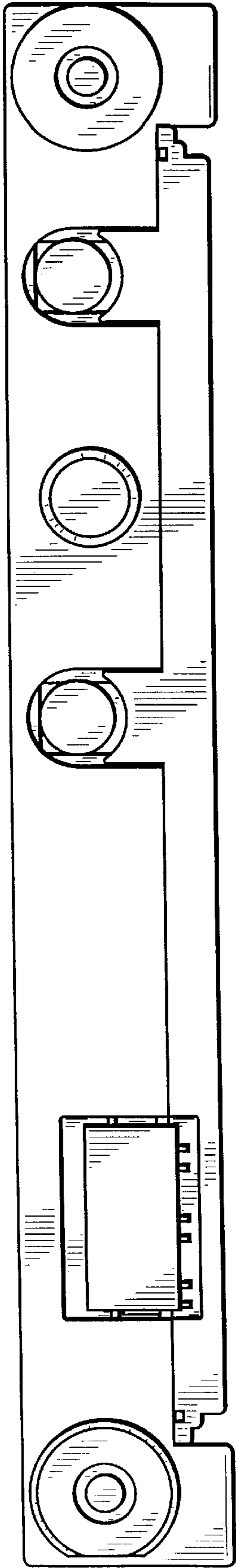


FIG.—4

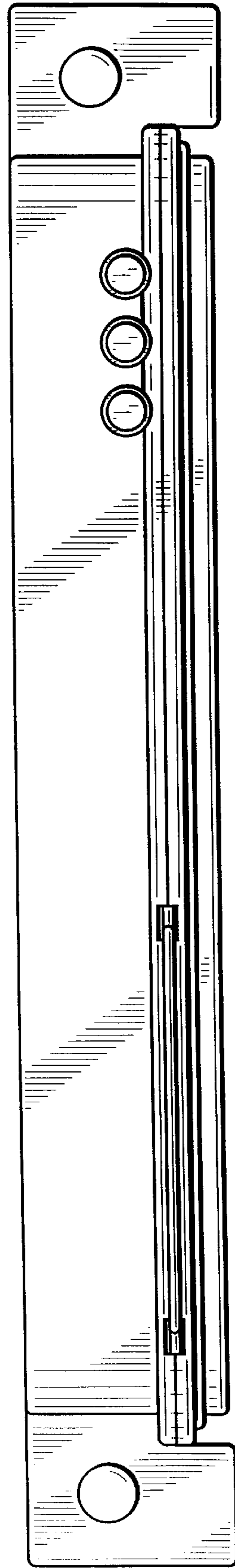
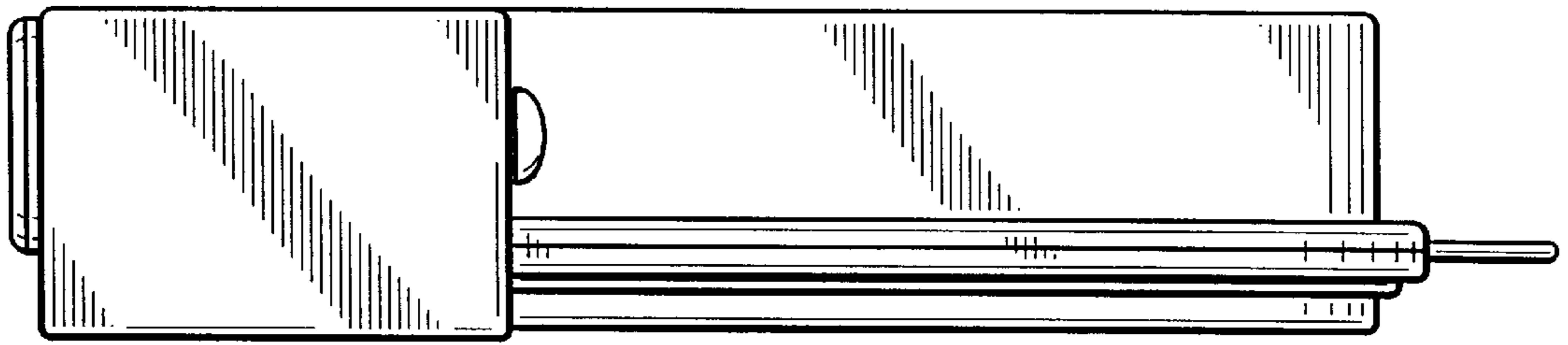
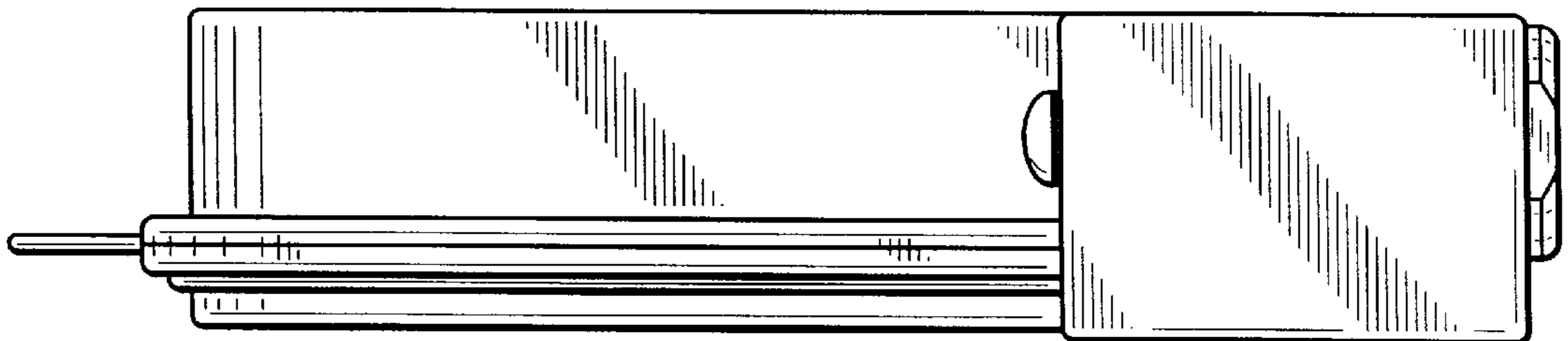


FIG.—5



*FIG. 6*



*FIG. 7*