



US00D414495S

United States Patent [19]

Heiligenstein et al.

[11] Patent Number: **Des. 414,495**

[45] Date of Patent: **** Sep. 28, 1999**

[54] ANTENNA

1905444 9/1970 Germany 343/873
308129 3/1933 Italy 343/866

[75] Inventors: **Luc Heiligenstein; Stephen Melamed,**
both of Chicago, Ill.

Primary Examiner—Louis S. Zarfes

Assistant Examiner—G. Andoll

[73] Assignee: **Terk Technologies Corporation,** New
York, N.Y.

Attorney, Agent, or Firm—R. Neil Sudol; Henry D.
Coleman

[**] Term: **14 Years**

[57] CLAIM

[21] Appl. No.: **29/087,878**

The ornamental design for the antenna, as shown and
described.

[22] Filed: **May 11, 1998**

DESCRIPTION

[51] **LOC (6) Cl.** **14-03**

[52] **U.S. Cl.** **D14/234; D14/230**

[58] **Field of Search** D14/230–238;
343/741, 866, 702, 870

FIG. 1 is a top, front, and right side environmental per-
spective view of an antenna, showing our new design with
the broken line structure being for illustrative purposes only
and forming no part of the claimed design;

FIG. 2 is a front elevational view thereof with the broken
line structure being for illustrative purposes only and form-
ing no part of the claimed design;

FIG. 3 is a rear side elevational view thereof with the broken
line structure being for illustrative purposes only and form-
ing no part of the claimed design;

FIG. 4 is a left side elevational view thereof;

FIG. 5 is a right side elevational view thereof;

FIG. 6 is a bottom plan view thereof; and,

FIG. 7 is a top plan view thereof.

[56] References Cited

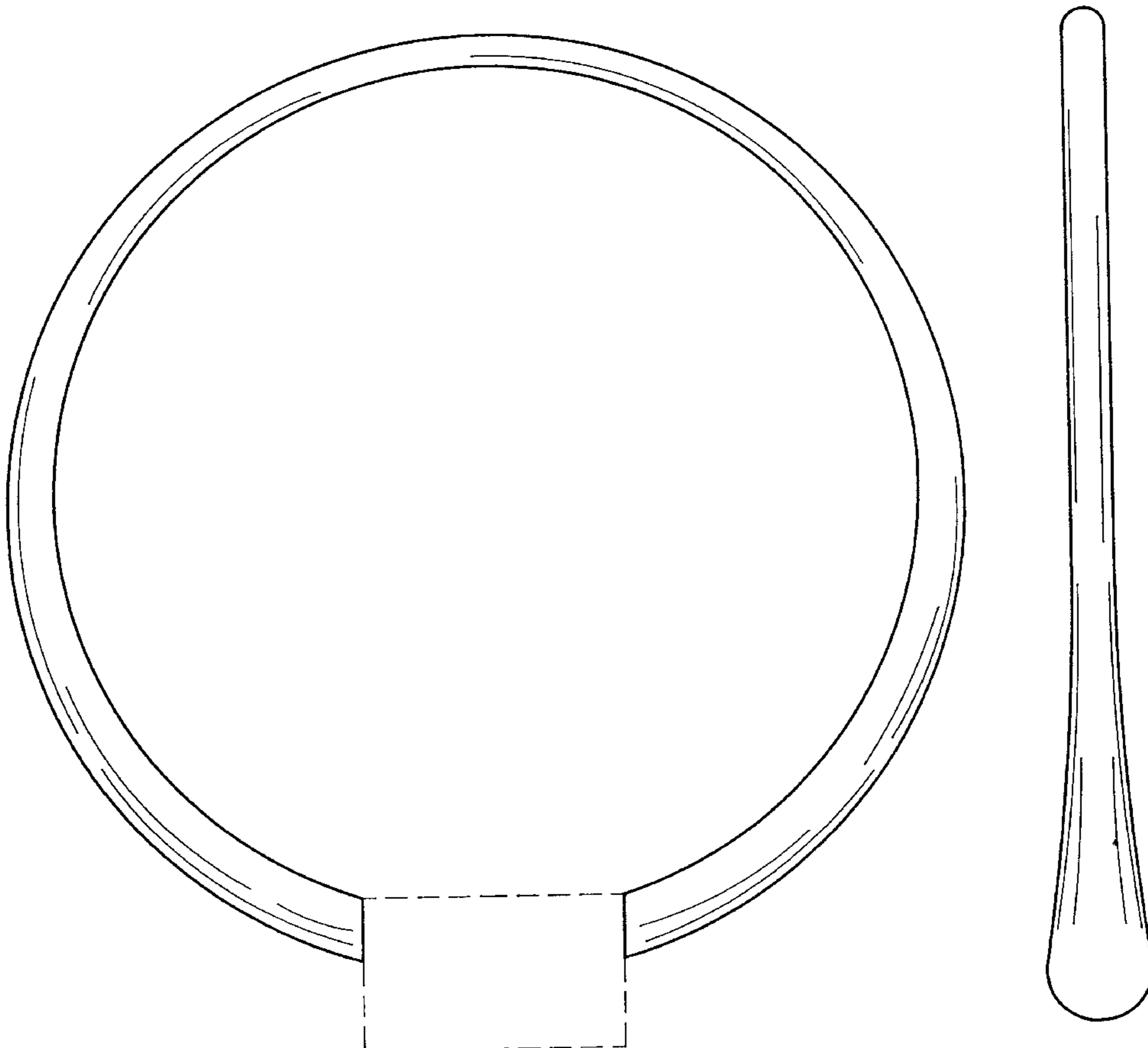
U.S. PATENT DOCUMENTS

D. 122,926	10/1940	Lear	D14/234
D. 213,700	4/1969	Middlemark	D14/235
2,403,093	7/1946	Lear	343/870
2,840,694	6/1958	Morgan	343/702
3,833,908	9/1974	Loh	343/741

FOREIGN PATENT DOCUMENTS

58625	4/1941	Denmark	343/867
293651	1/1916	Germany	343/866

1 Claim, 5 Drawing Sheets



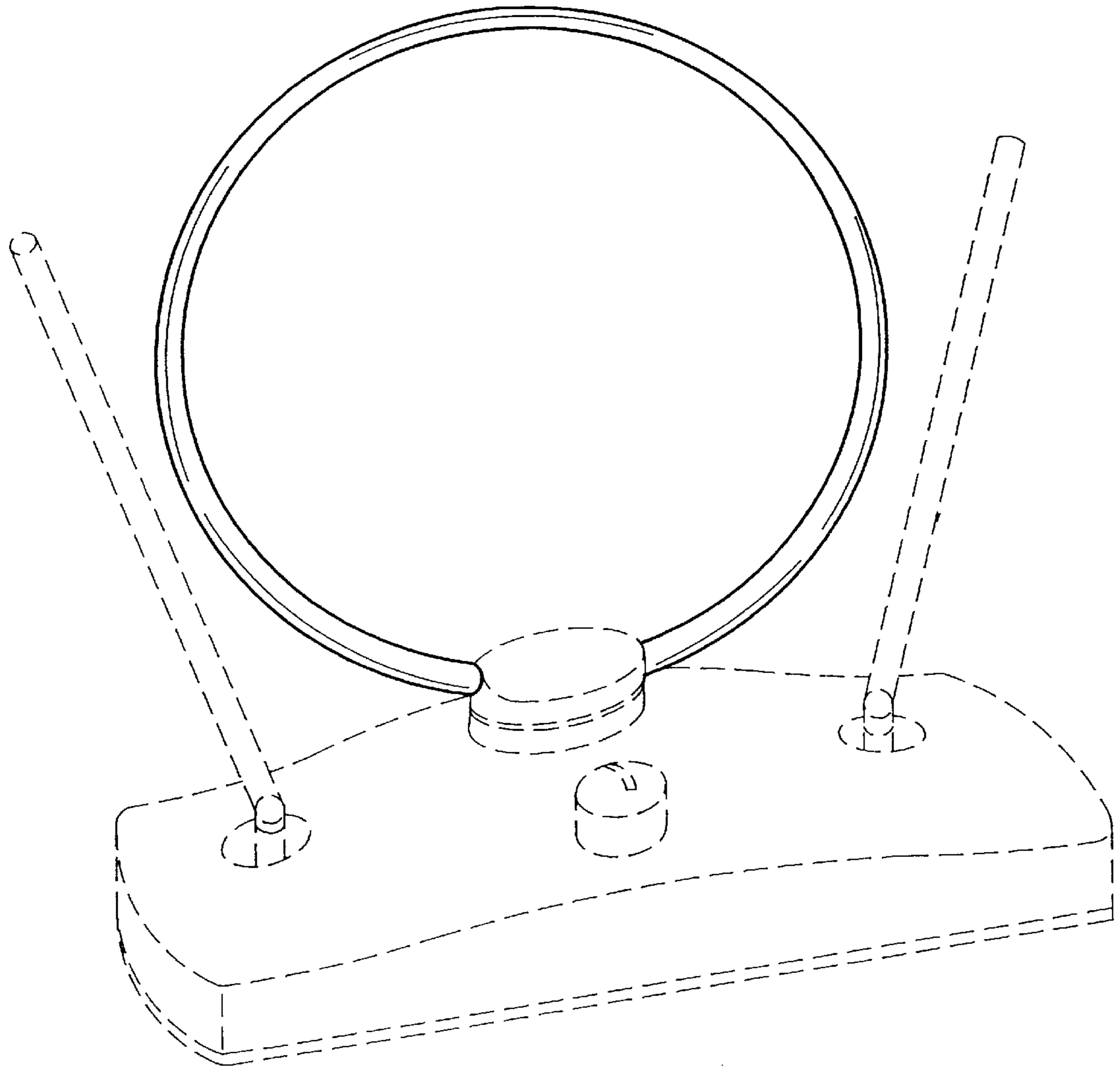


FIG. 1

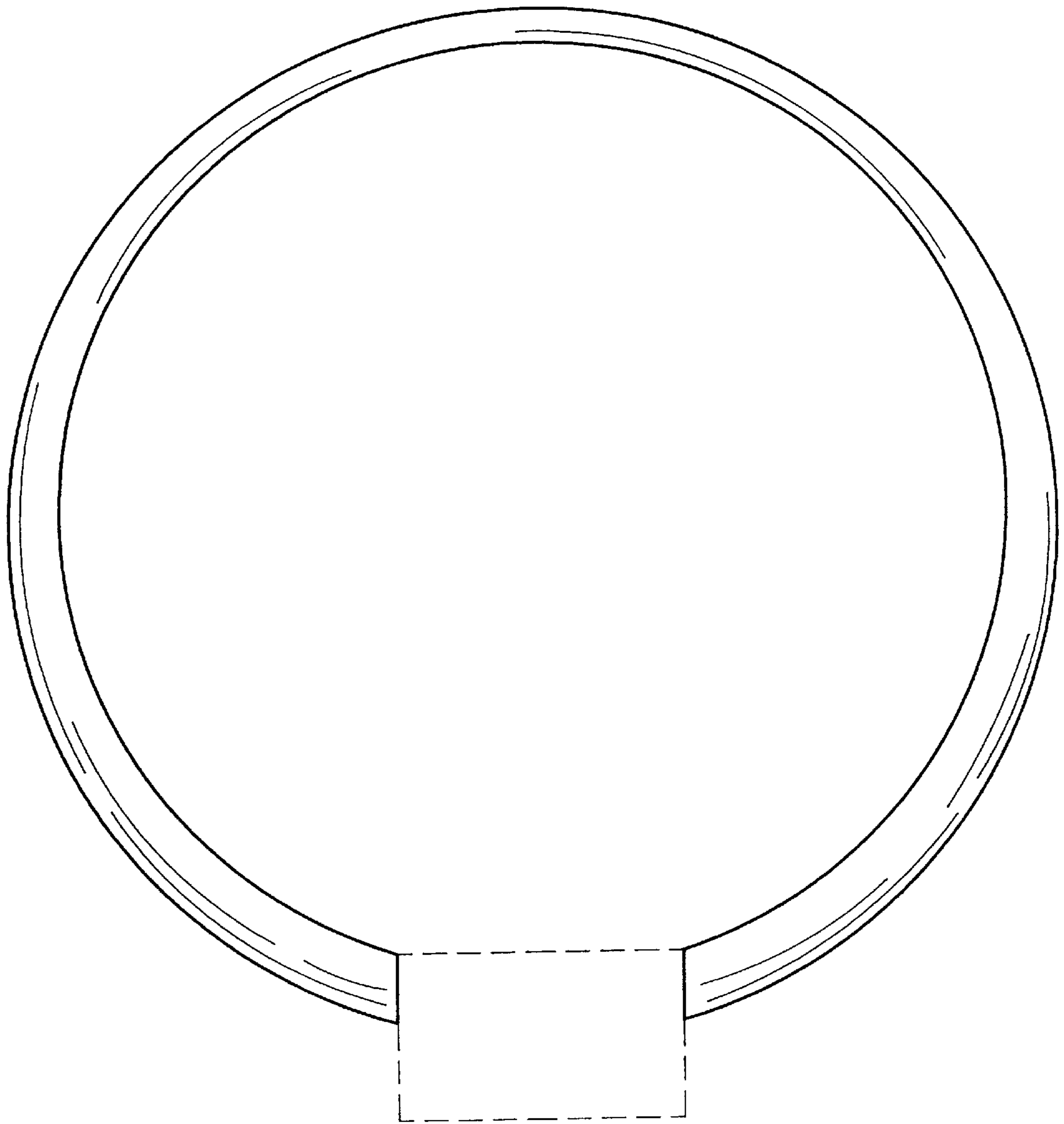


FIG. 2

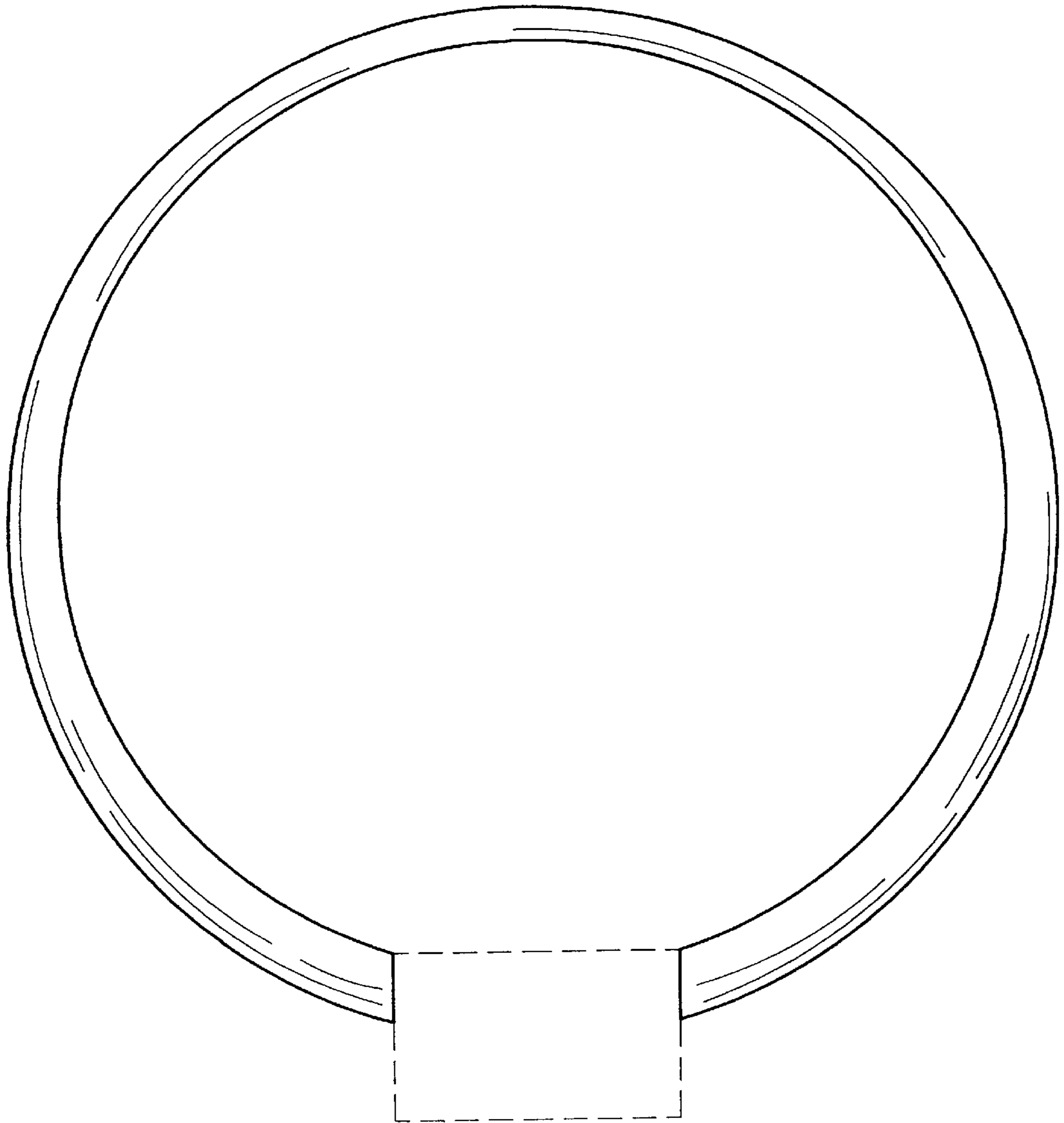


FIG. 3

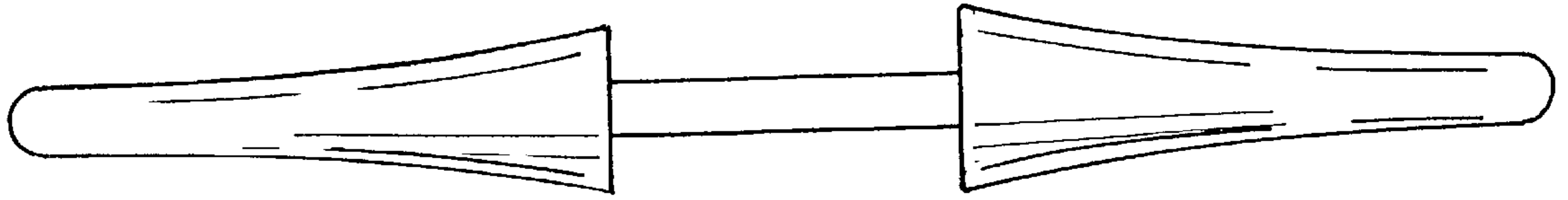


FIG. 6

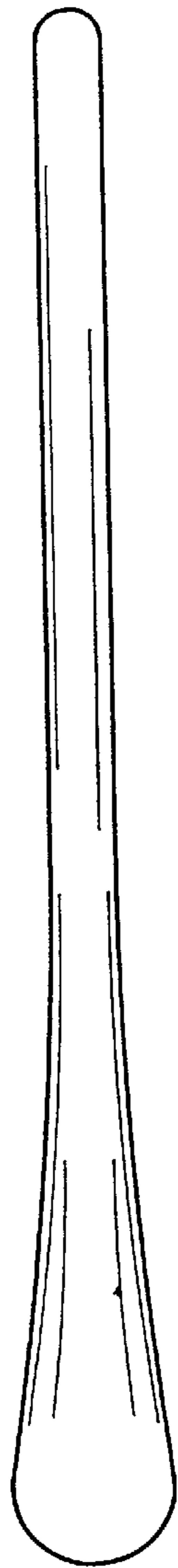


FIG. 4

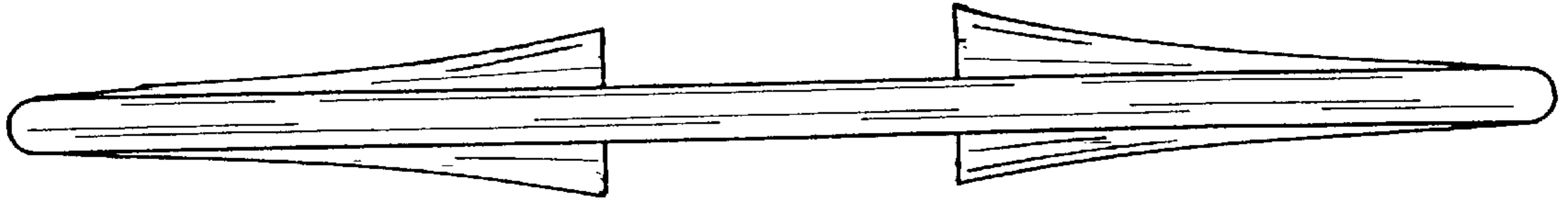


FIG. 7

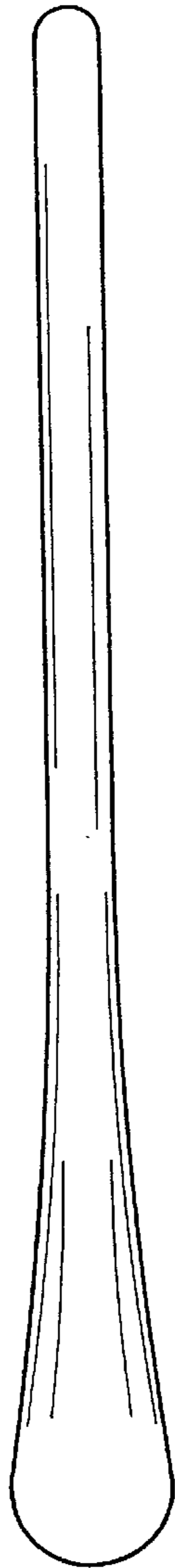


FIG. 5