



US00D414494S

United States Patent [19]
Heiligenstein et al.

[11] **Patent Number: Des. 414,494**

[45] **Date of Patent: ** Sep. 28, 1999**

[54] **TV ANTENNA**

FOREIGN PATENT DOCUMENTS

[75] Inventors: **Luc Heiligenstein; Stephen Melamed**,
both of Chicago; **Michael Pelland**,
Medinah; **Sabrina L. Tongish**, Chicago,
all of Ill.

1933424 1/1971 Germany 343/840

Primary Examiner—Louis S. Zarfaz
Assistant Examiner—G. Andoll
Attorney, Agent, or Firm—Cowan, Liebowitz & Latman,
P.C.; R. Lewis Gable

[73] Assignee: **Terk Technologies Corporation**,
Commack, N.Y.

[57] **CLAIM**

[**] Term: **14 Years**

The ornamental design for a TV antenna, as shown and described.

[21] Appl. No.: **29/096,805**

DESCRIPTION

[22] Filed: **Nov. 20, 1998**

[51] **LOC (6) Cl.** **14-03**

[52] **U.S. Cl.** **D14/230**

[58] **Field of Search** D14/230-233;
343/741, 866, 872, 840, 823

FIG. 1 is a front perspective view of TV antenna showing our new design;
FIG. 2 is a top view thereof;
FIG. 3 is a side view thereof;
FIG. 4 is a front view thereof;
FIG. 5 is a back view thereof;
FIG. 6 is the opposite side view thereof; and,
FIG. 7 is a bottom view thereof.

[56] **References Cited**

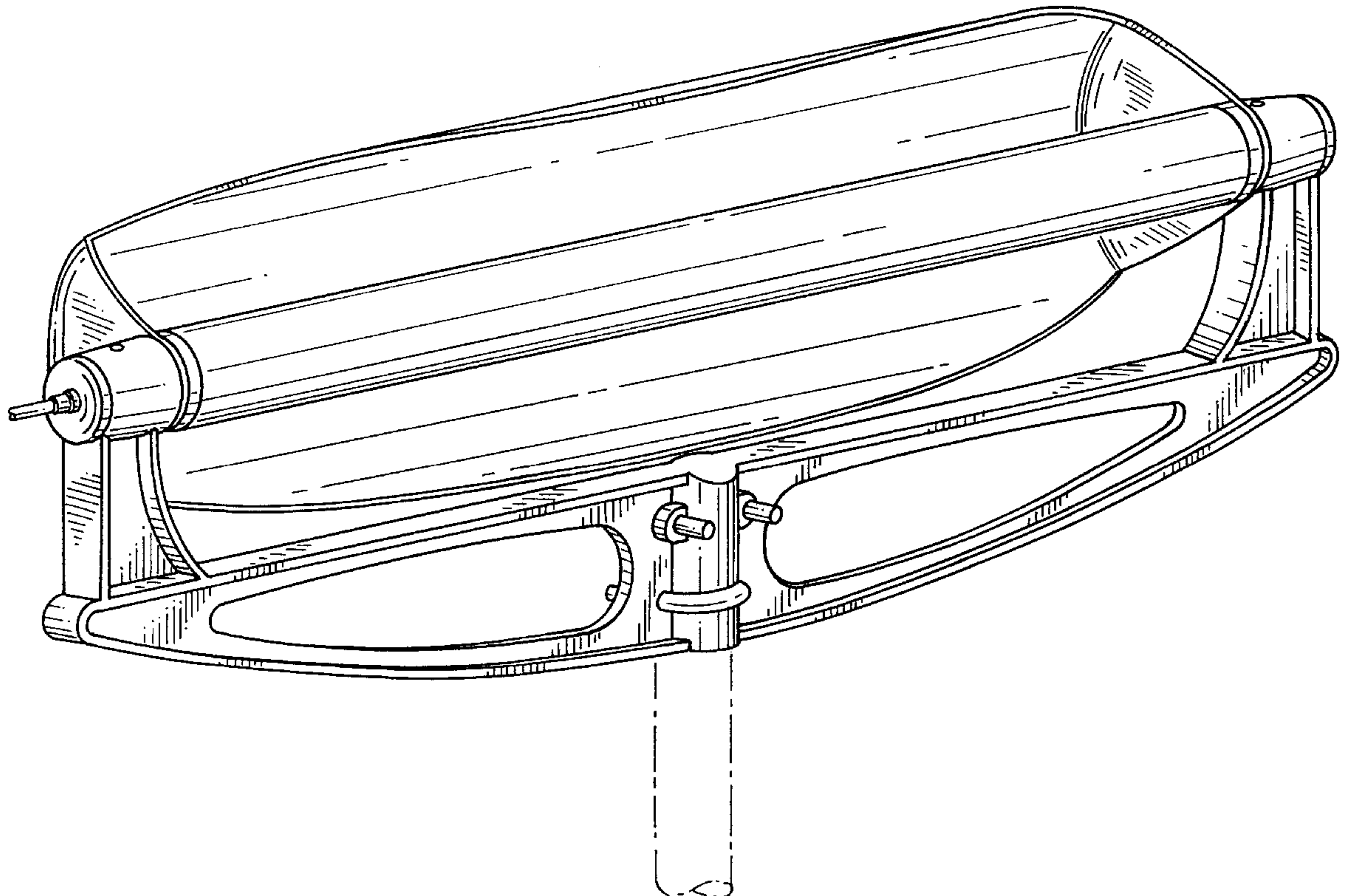
U.S. PATENT DOCUMENTS

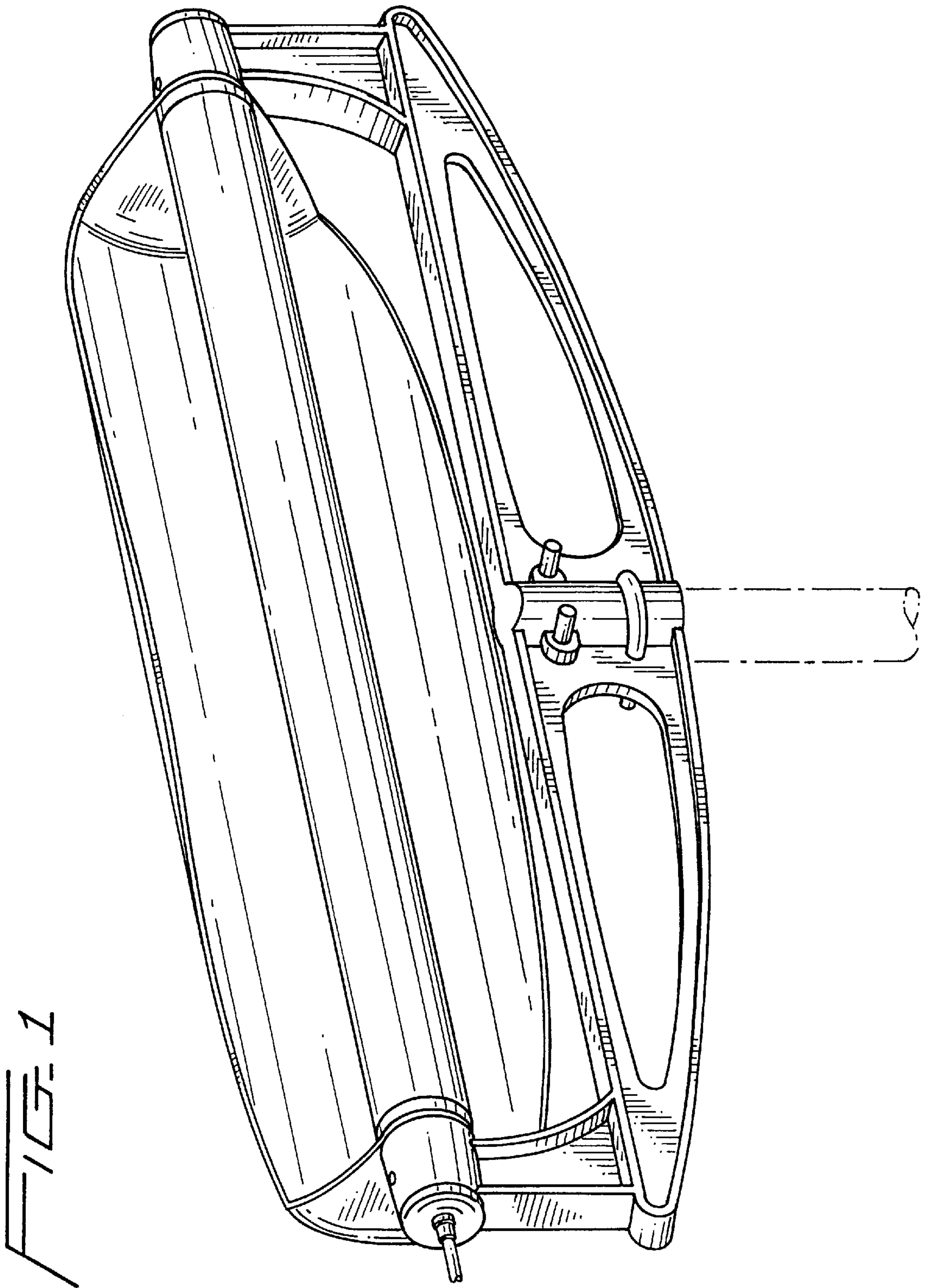
D. 182,473	4/1958	Middlemark	D14/235
D. 366,046	1/1996	Oba et al.	D14/230
2,115,789	3/1938	Schmid	343/872
2,716,191	8/1955	Bartuska, Jr. et al.	343/840
3,958,248	5/1976	Holshouser et al.	343/823

The broken lines in FIG. 1 is for illustrative purposes only and forms no part of the claimed design.

The broken away showing of the cable in FIGS. 1, 2, 4, 5 & 7 indicates that it is of indeterminate length.

1 Claim, 3 Drawing Sheets





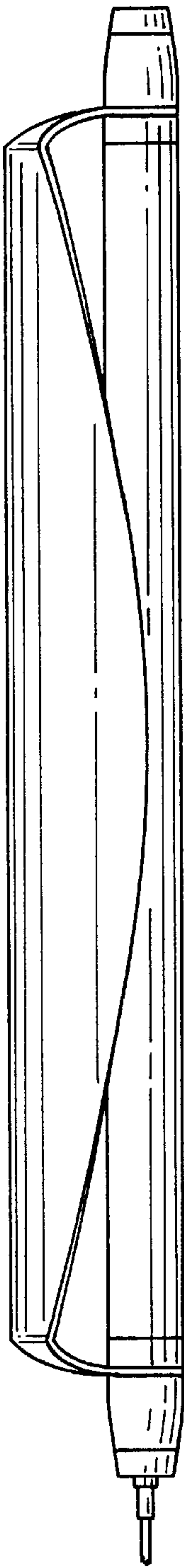


FIG. 2

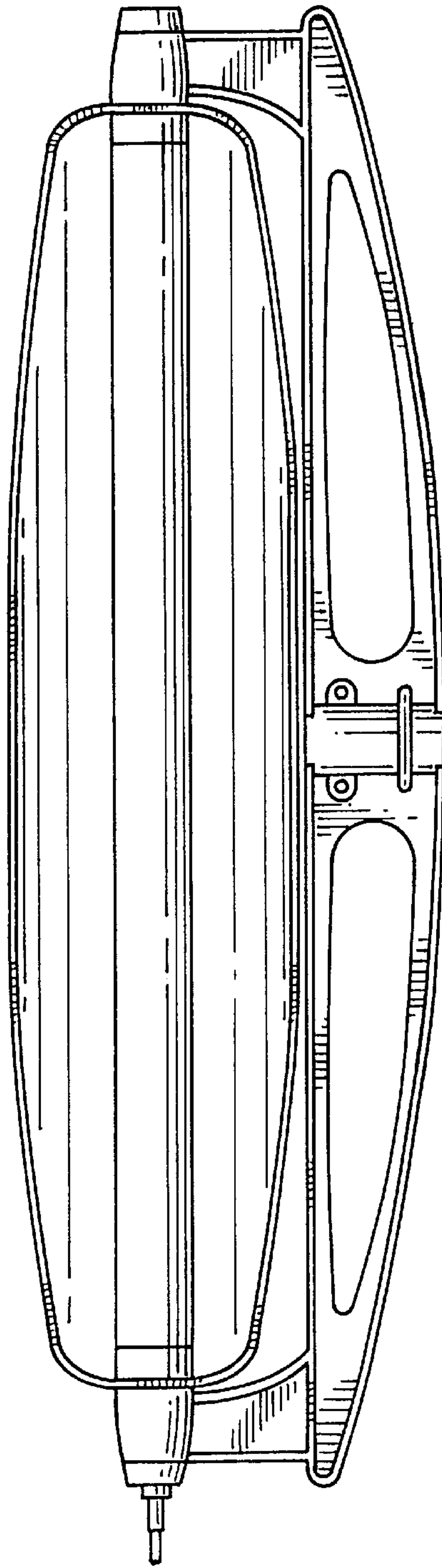


FIG. 4

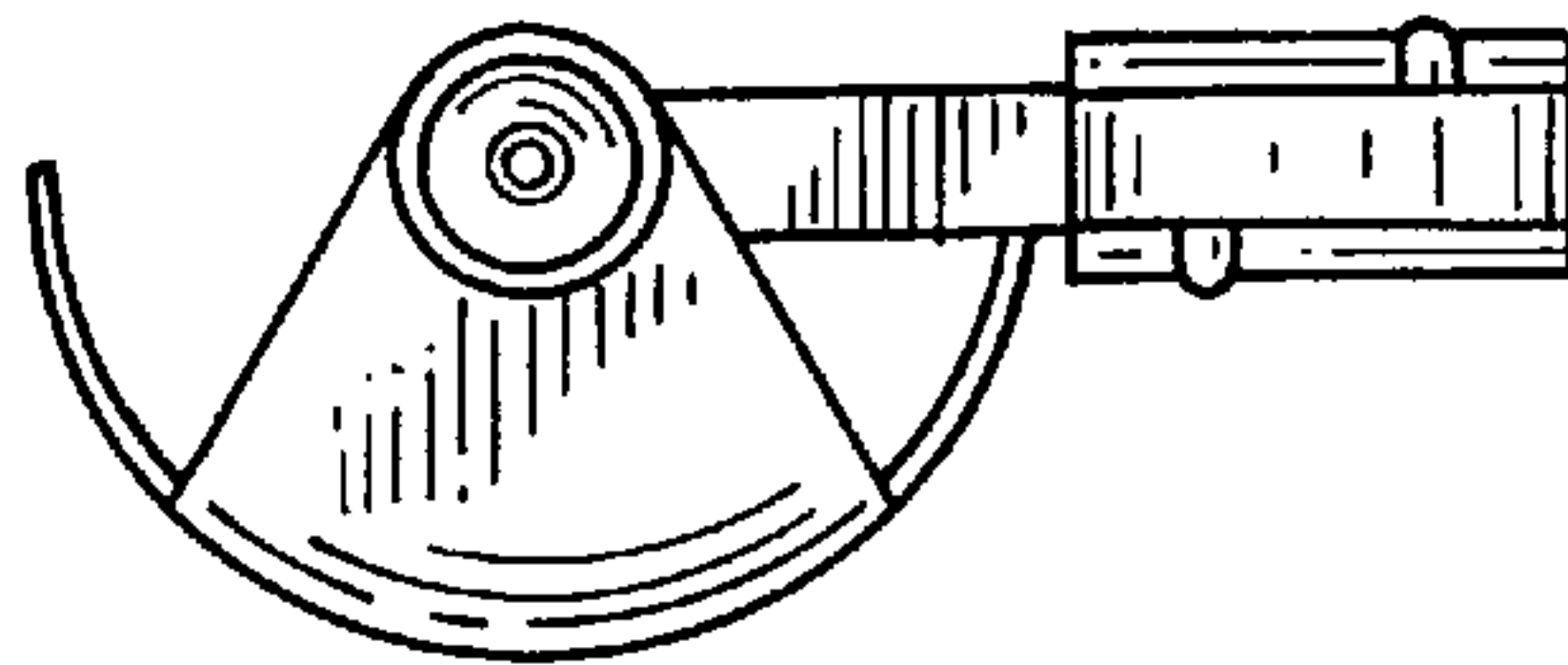


FIG. 3

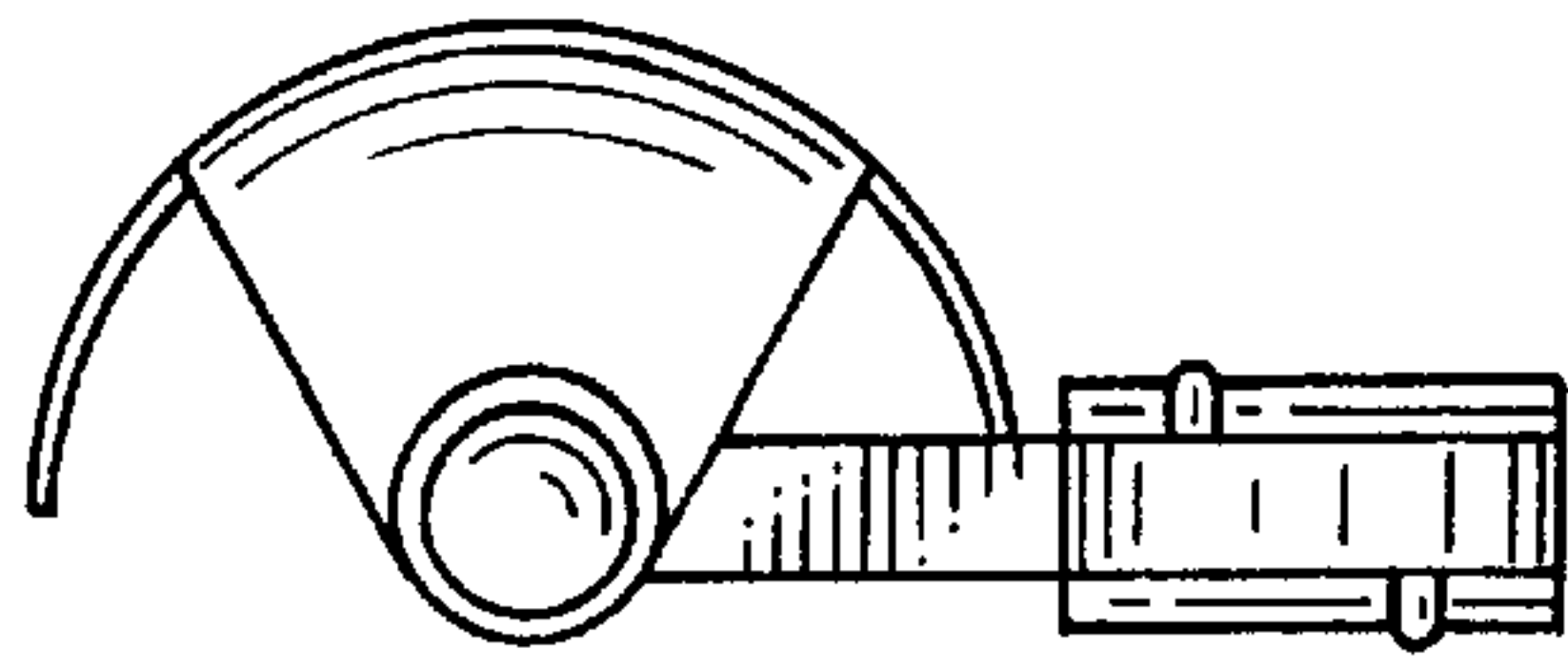


FIG. 6

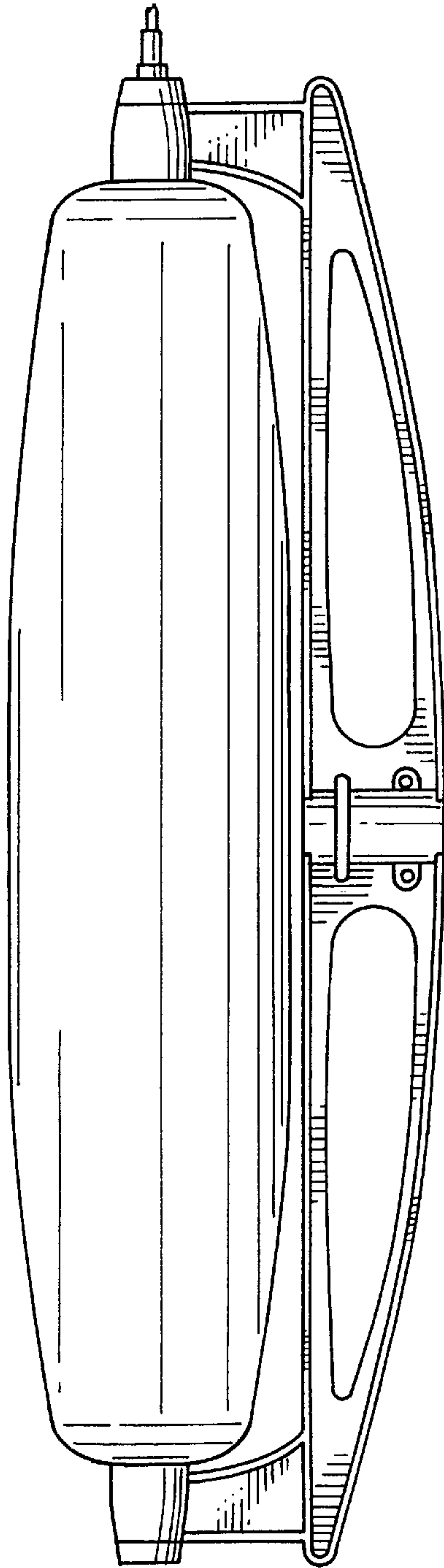


FIG. 5

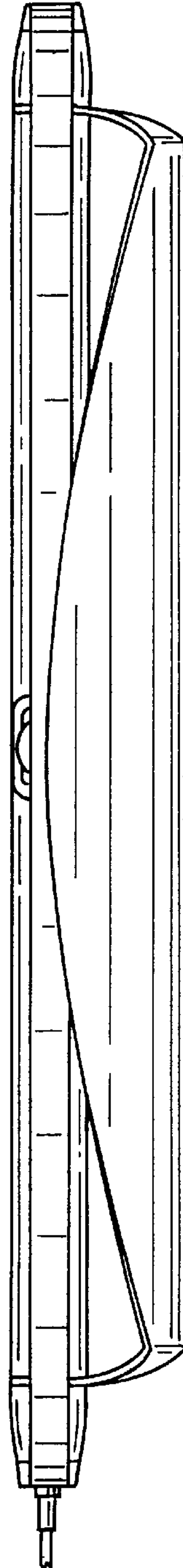


FIG. 7