



US00D414493S

United States Patent [19]
Jiann-Yeong

[11] **Patent Number: Des. 414,493**

[45] **Date of Patent: ** Sep. 28, 1999**

[54] **MICROPHONE HOUSING**

4,817,164 3/1989 Bertignoll et al. 381/189
5,226,076 7/1993 Baumhauer, Jr. et al. 379/388

[75] Inventor: **Wu Jiann-Yeong**, Chung Ho, Taiwan

Primary Examiner—Nanda Bondade
Attorney, Agent, or Firm—Wallenstein & Wagner, Ltd.

[73] Assignee: **Knowles Electronics, Inc.**, Itasca, Ill.

[**] Term: **14 Years**

[57] **CLAIM**

[21] Appl. No.: **29/083,343**

The ornamental design for a microphone housing, as shown and described.

[22] Filed: **Feb. 6, 1998**

DESCRIPTION

[51] **LOC (6) Cl.** **14-01**

[52] **U.S. Cl.** **D14/225**

[58] **Field of Search** D14/206, 217,
D14/223, 225-229, 299; 181/158, 242;
379/388, 430, 431; 381/91, 122, 168-170,
189

FIG. 1 is a prospective view of a microphone housing according to the invention;
FIG. 2 is a top view of FIG. 1;
FIG. 3 is a side view of FIG. 1, the other side being the same as the side shown;
FIG. 4 is a front view of FIG. 1;
FIG. 5 is a rear view of FIG. 1; and,
FIG. 6 is a bottom view of FIG. 1.

[56] **References Cited**

U.S. PATENT DOCUMENTS

D. 356,571 3/1995 Garmon et al. D14/225
D. 386,764 11/1997 Lake .
4,789,044 12/1988 Akino 181/158

The broken line showing of the wiring protruding out of the microphone housing in FIGS. 4 and 5 is for illustrative purposes only and forms no part of the claimed design.

1 Claim, 1 Drawing Sheet

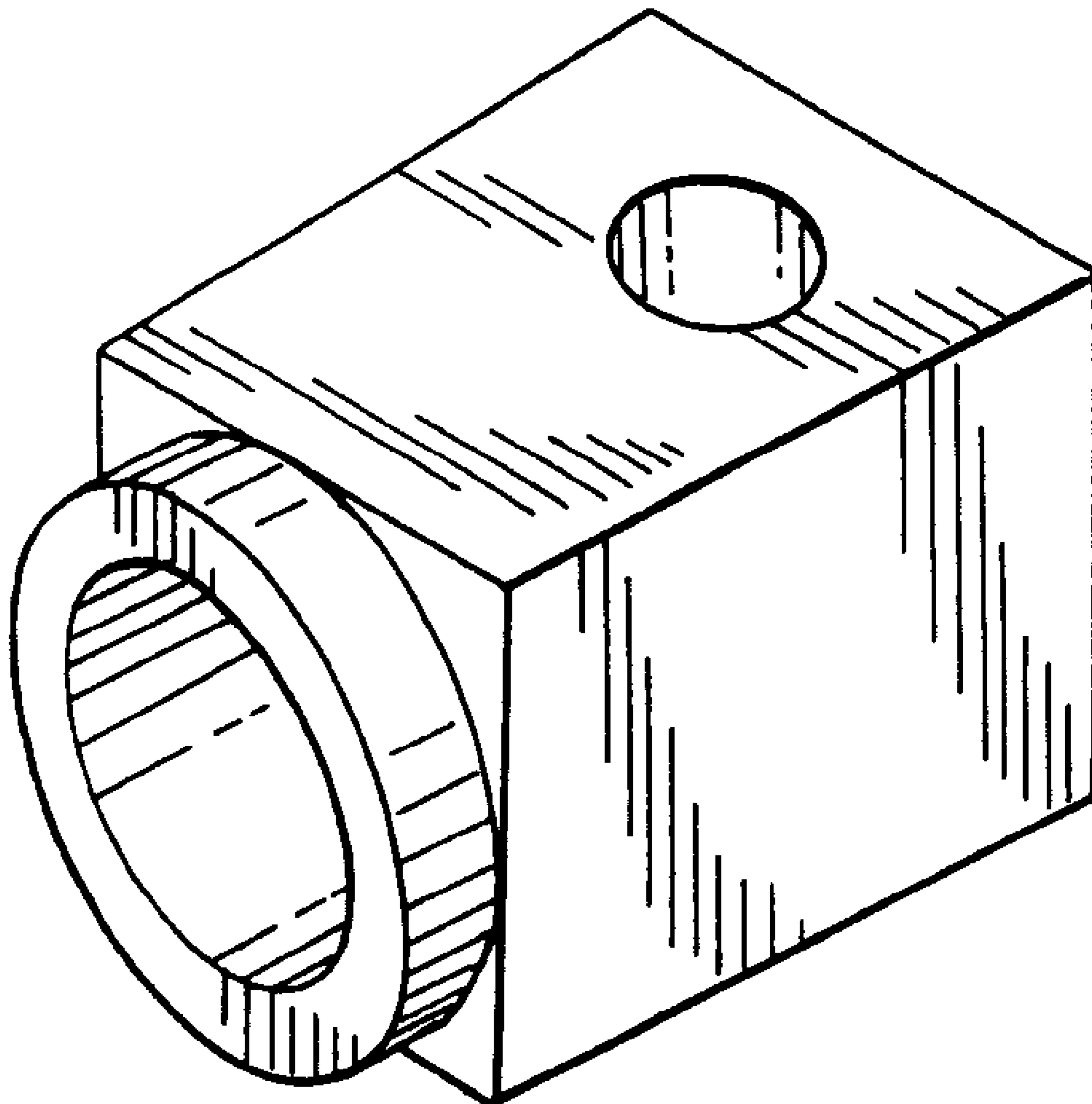


FIG. 1

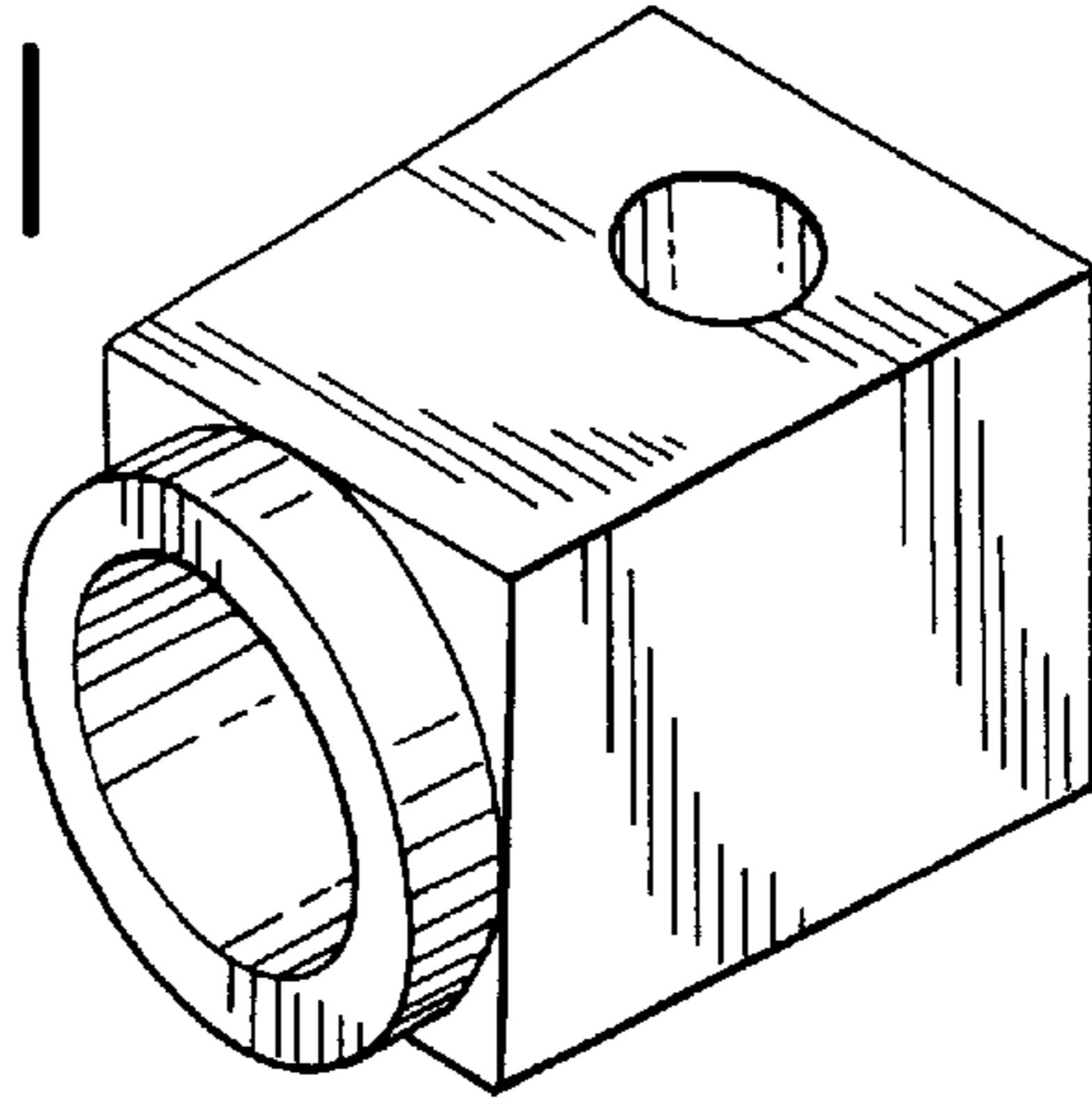


FIG. 2

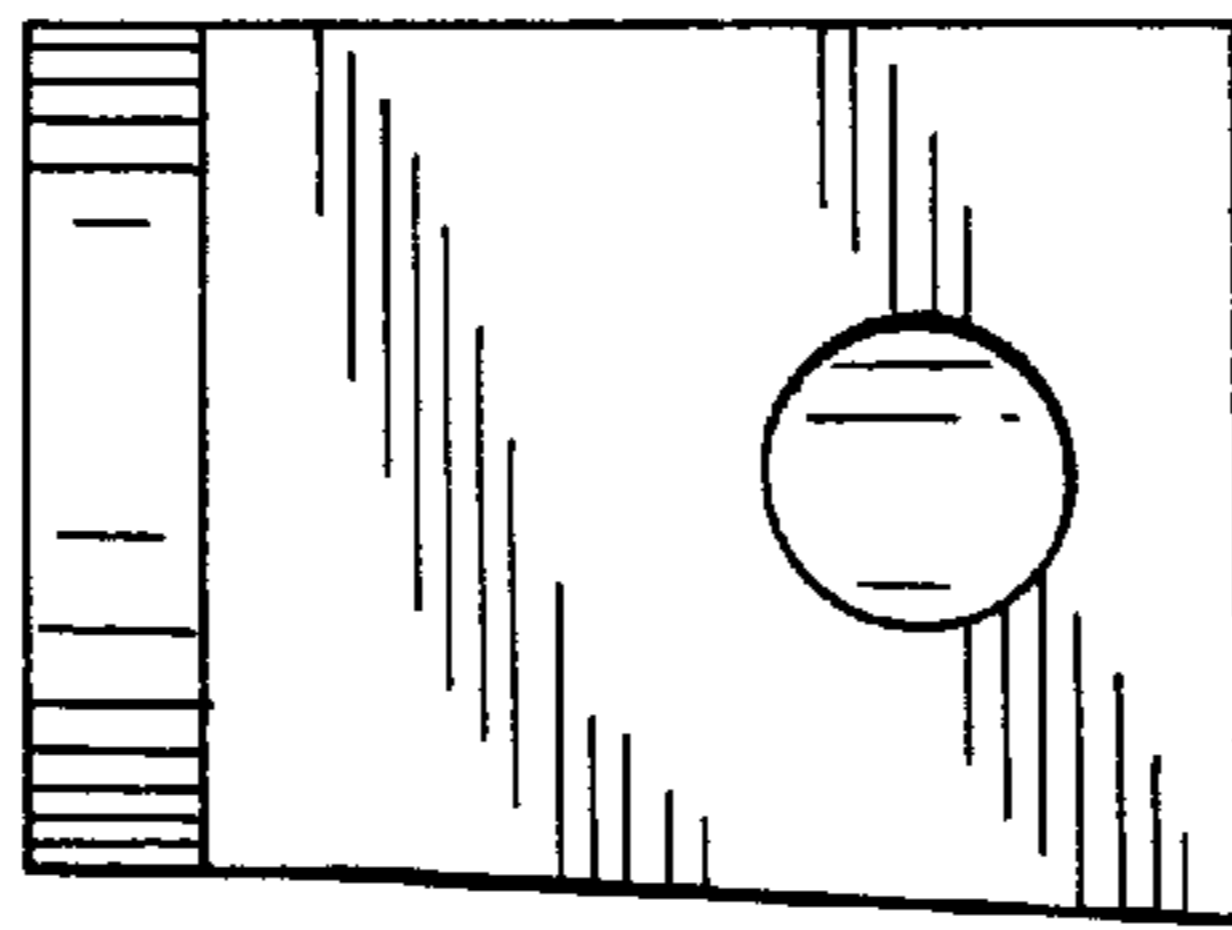


FIG. 4

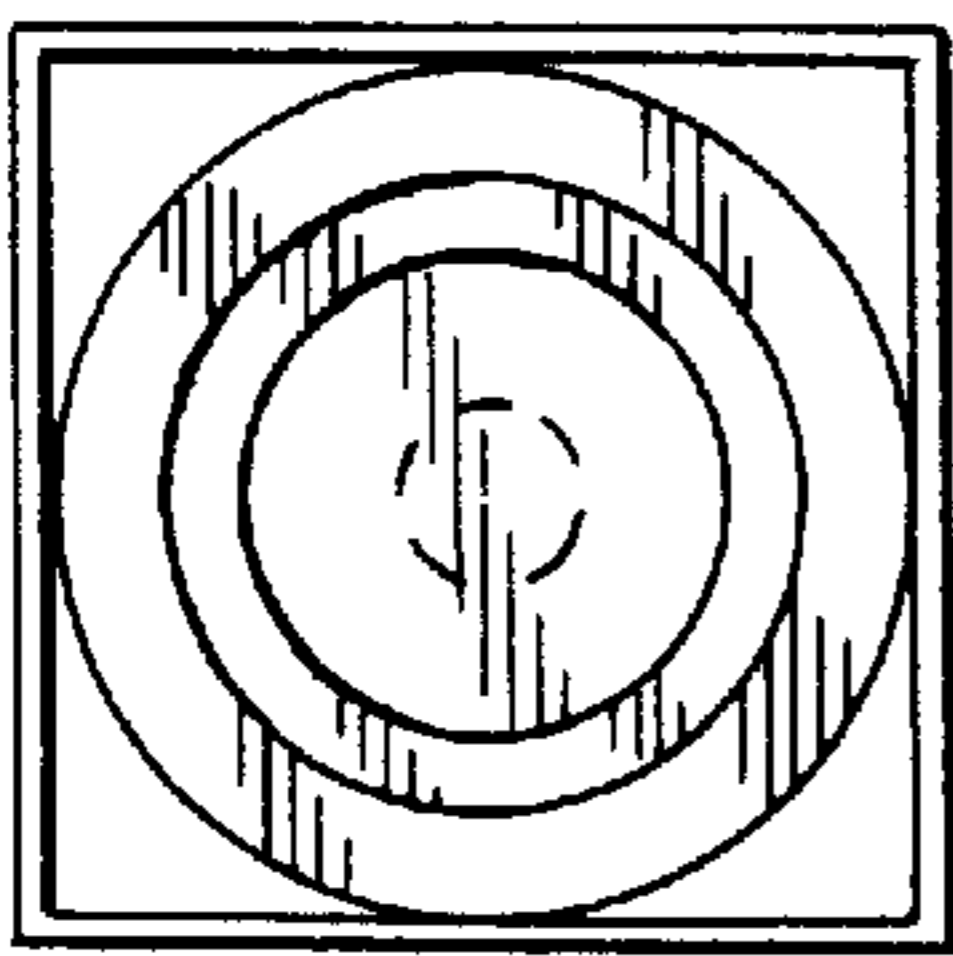


FIG. 3

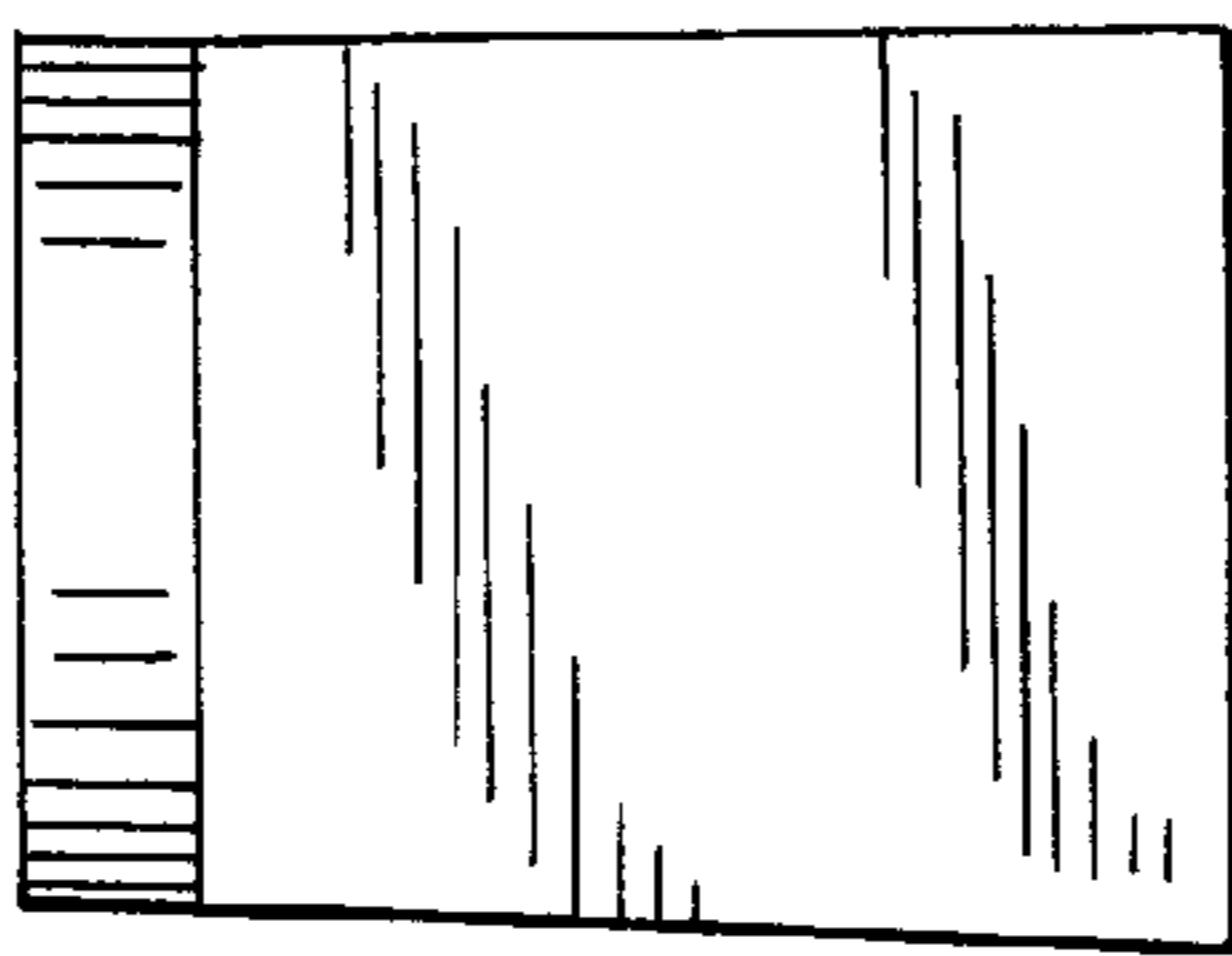


FIG. 5

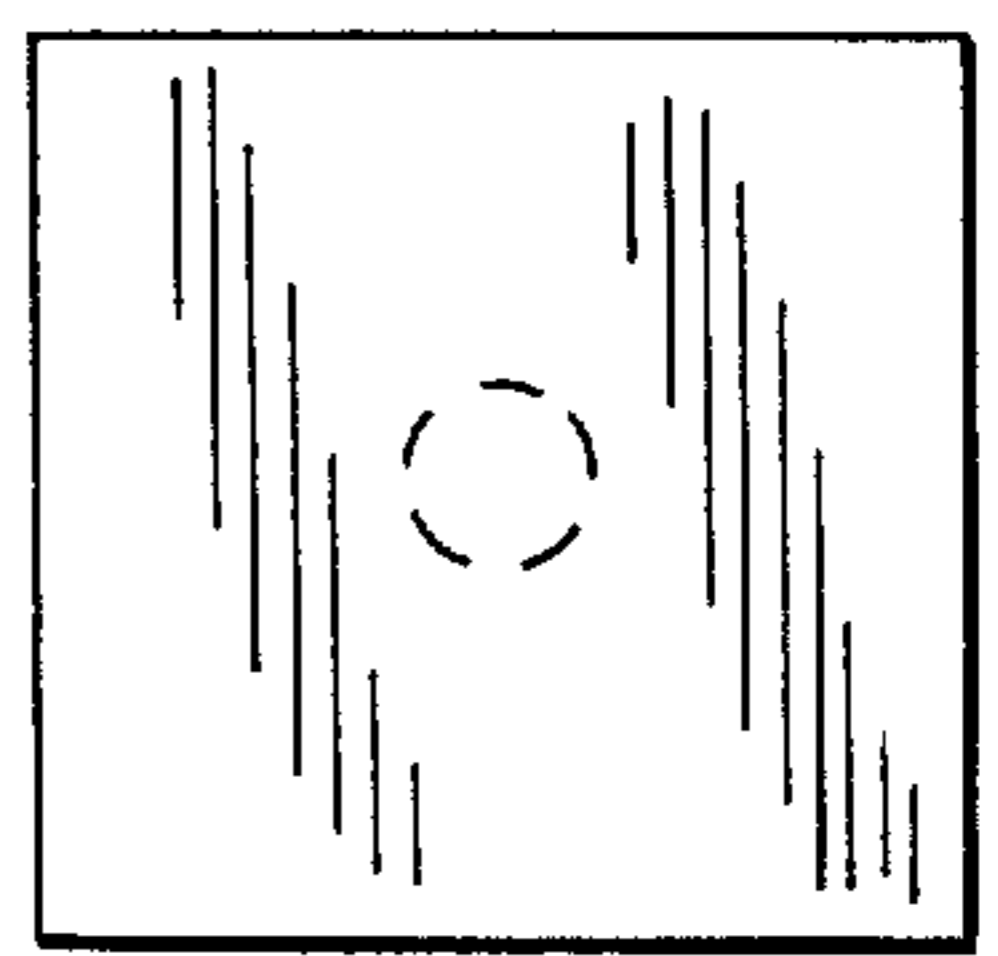


FIG. 6

