



US00D414486S

United States Patent [19]
Zambotti et al.

[11] **Patent Number: Des. 414,486**

[45] **Date of Patent: ** *Sep. 28, 1999**

[54] **DUAL MODE TELEPHONE HANDSET**

[75] Inventors: **Lawrence G. Zambotti**, Marshall;
Ronald A. Bowen, Sterling; **Dennis M. Kalajainen**, Manassas; **Mark L. Kupeski**, Strasburg, all of Va.

[73] Assignee: **Lockheed Martin Corporation**, Bethesda, Md.

[*] Notice: This patent is subject to a terminal disclaimer.

[**] Term: **14 Years**

[21] Appl. No.: **29/069,642**

[22] Filed: **Mar. 27, 1997**

[51] **LOC (6) Cl.** **14-03**

[52] **U.S. Cl.** **D14/138**

[58] **Field of Search** D14/137, 138,
D14/140, 142, 147, 148, 240, 248; 379/58-61,
419, 420, 428, 440, 433-436, 454, 455;
455/89, 90

[56] **References Cited**

U.S. PATENT DOCUMENTS

D. 319,441	8/1991	Konno et al.	D14/138	X
D. 345,158	3/1994	Namba et al.	D14/138	
D. 359,734	6/1995	Nagele et al.	D14/138	
D. 369,598	5/1996	Nagele et al.	D14/138	
D. 369,599	5/1996	Wang	D14/138	
D. 369,796	5/1996	Grewe	D14/138	
D. 378,816	4/1997	Hino	D14/138	
D. 379,983	6/1997	Shindou	D14/147	X
5,335,368	8/1994	Tamura	455/90	

FOREIGN PATENT DOCUMENTS

63-288549	11/1988	Japan	379/433
2-274046	11/1990	Japan	379/61
3-234126	10/1991	Japan	455/89
6-152459	5/1994	Japan	455/90

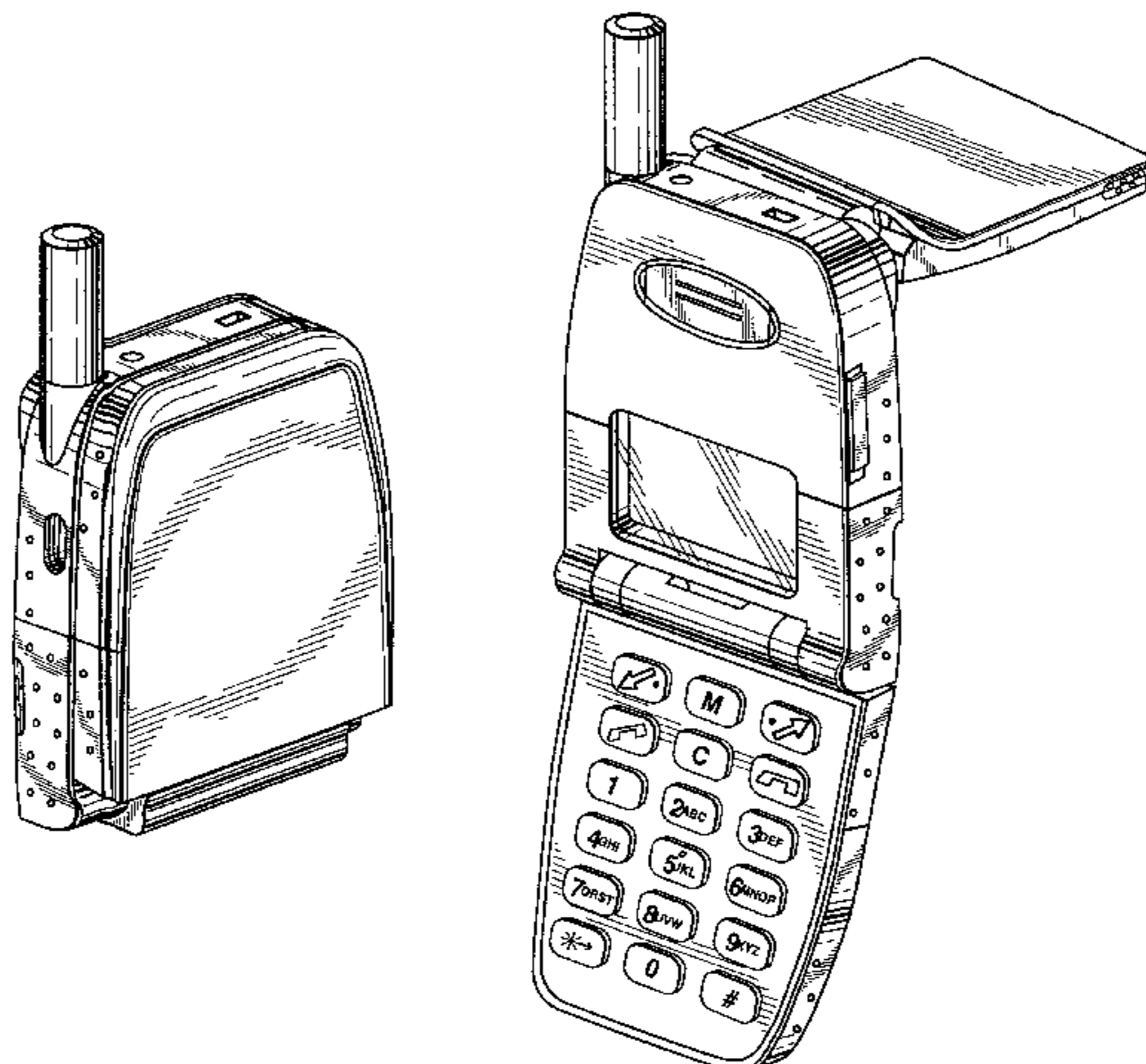
Primary Examiner—Jeffrey Asch
Attorney, Agent, or Firm—Lane, Aitken and McCann

[57] **CLAIM**

The ornamental design for a dual mode telephone handset, as shown and described.

DESCRIPTION

FIG. 1 is a perspective view from the front, top and left side of the dual mode telephone handset showing our new design in a closed position;
 FIG. 2 is a perspective view from the back, top and left side of the handset in a closed position;
 FIG. 3 is a back, top and right side perspective view in a closed position;
 FIG. 4 is a front, top and right side perspective view in a closed position;
 FIG. 5 is a front view in a closed position;
 FIG. 6 is a right side view in a closed position;
 FIG. 7 is a back view in a closed position;
 FIG. 8 is a left side view in a closed position;
 FIG. 9 is a front, top and left side perspective view of the dual mode telephone handset in an open position;
 FIG. 10 is a back, top and left side perspective view of the handset in an open position;
 FIG. 11 is a back, top and right side perspective view of an open position;
 FIG. 12 is a front, top and right side perspective view of an open position;
 FIG. 13 is a front view of an open position;
 FIG. 14 is a right side view of an open position;
 FIG. 15 is a back view of an open position;
 FIG. 16 is a left side view of an open position;
 FIG. 17 is a front, top and left side perspective view of the dual mode telephone handset with its satellite antenna extended;
 FIG. 18 is a back, top and left side perspective view of the handset with its satellite antenna extended;
 FIG. 19 is a back, top and right side perspective view of the handset with its satellite antenna extended;
 FIG. 20 is a front, top and right side perspective view of the handset with its satellite antenna extended;
 FIG. 21 is a front view of the handset with its satellite antenna extended;
 FIG. 22 is a right side view of the handset with its satellite antenna extended;
 FIG. 23 is a back view of the handset with its satellite antenna extended;



Des. 414,486

Page 2

FIG. 24 is a left view of the handset with its satellite antenna extended; and,

FIG. 25 is a bottom view of the handset in its closed position.

1 Claim, 12 Drawing Sheets

FIG. 2

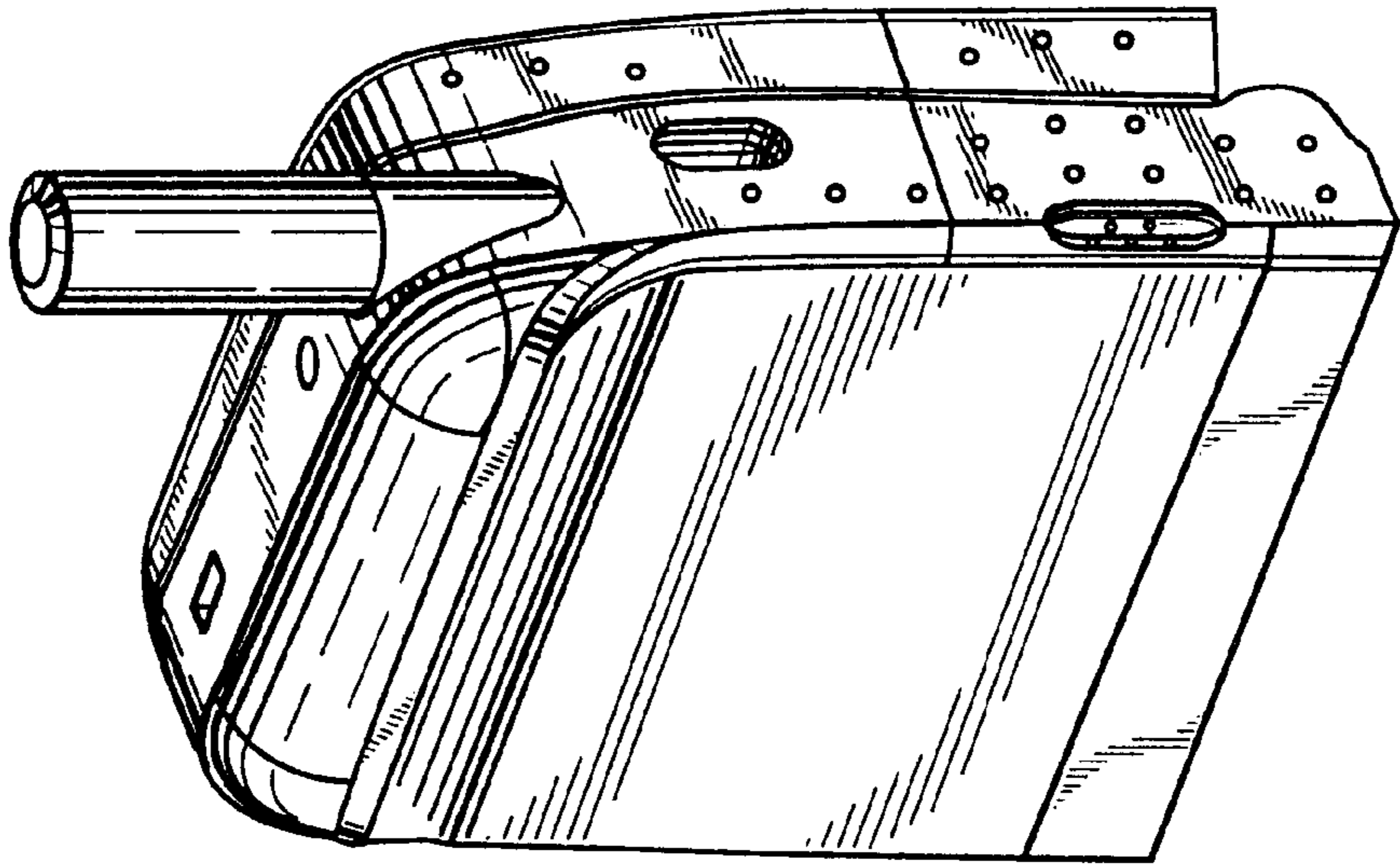
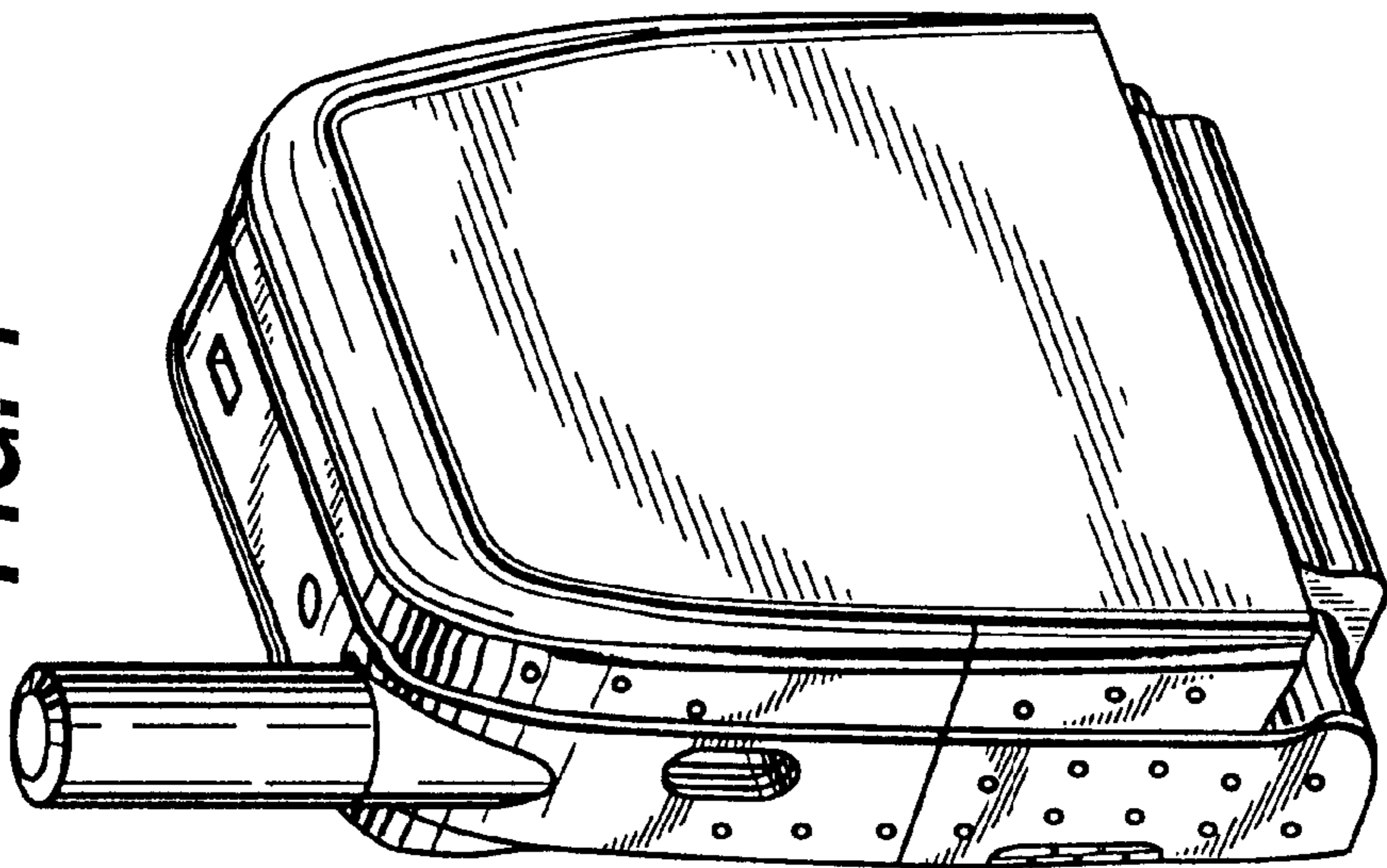


FIG. 1



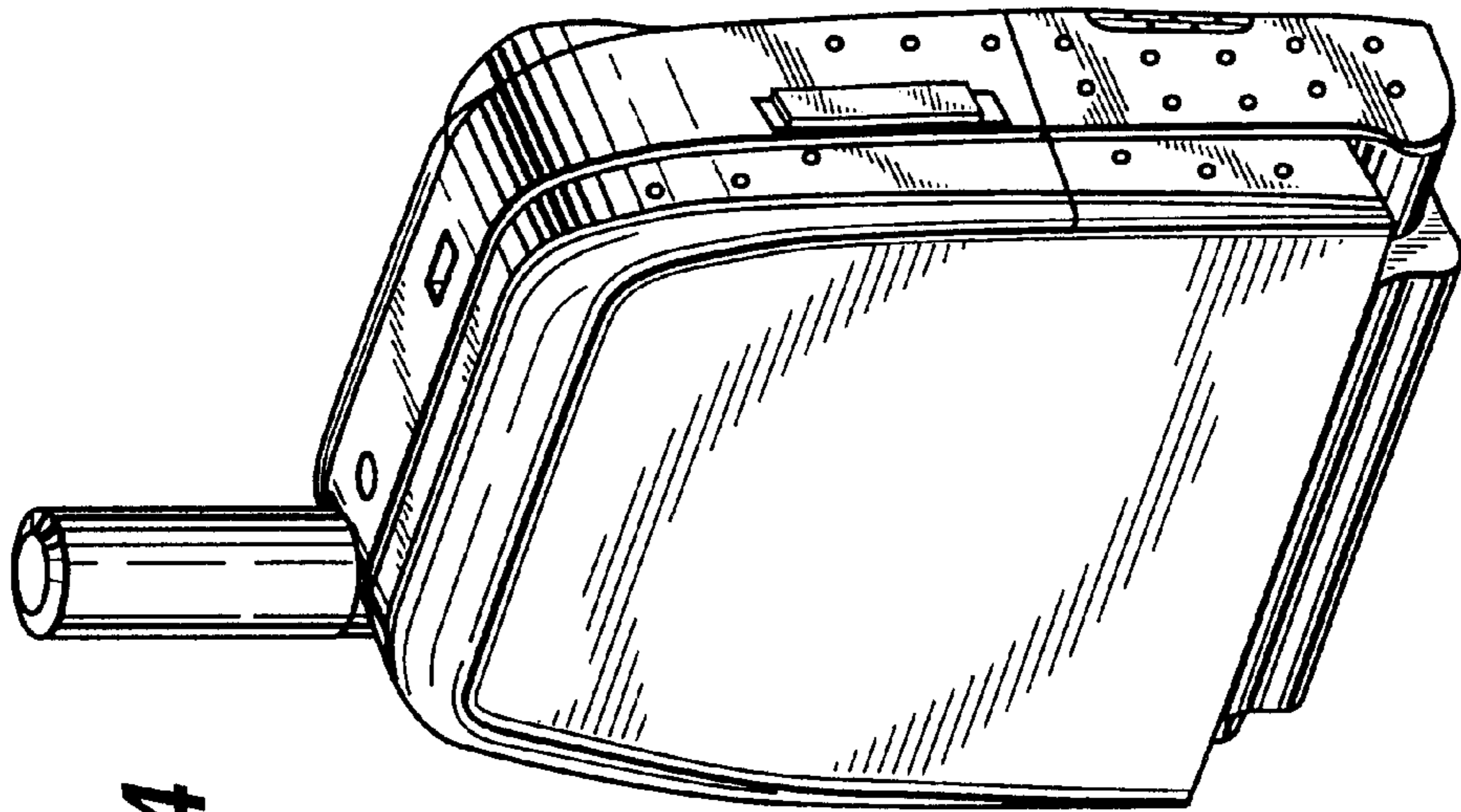


FIG. 4

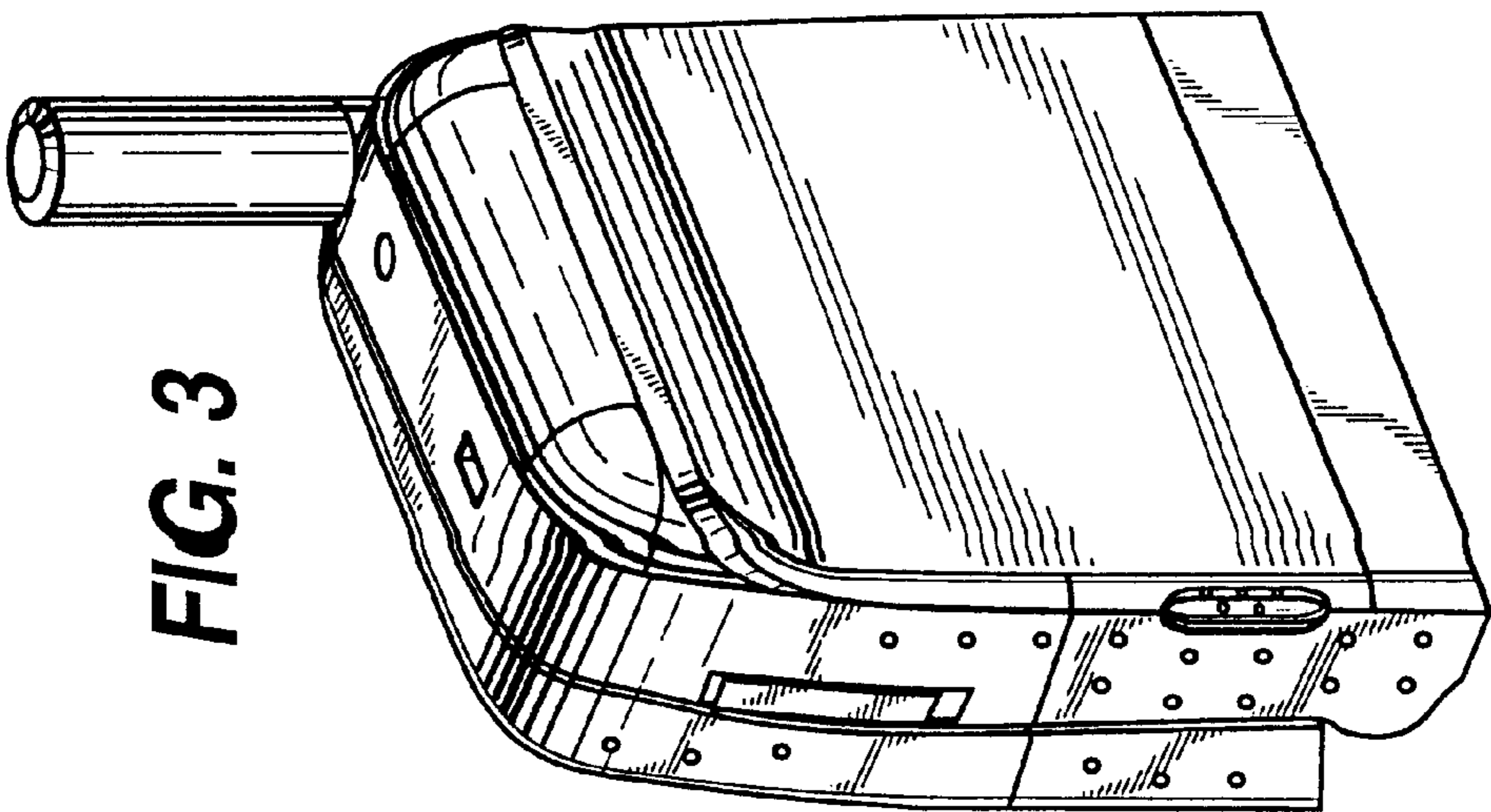


FIG. 3

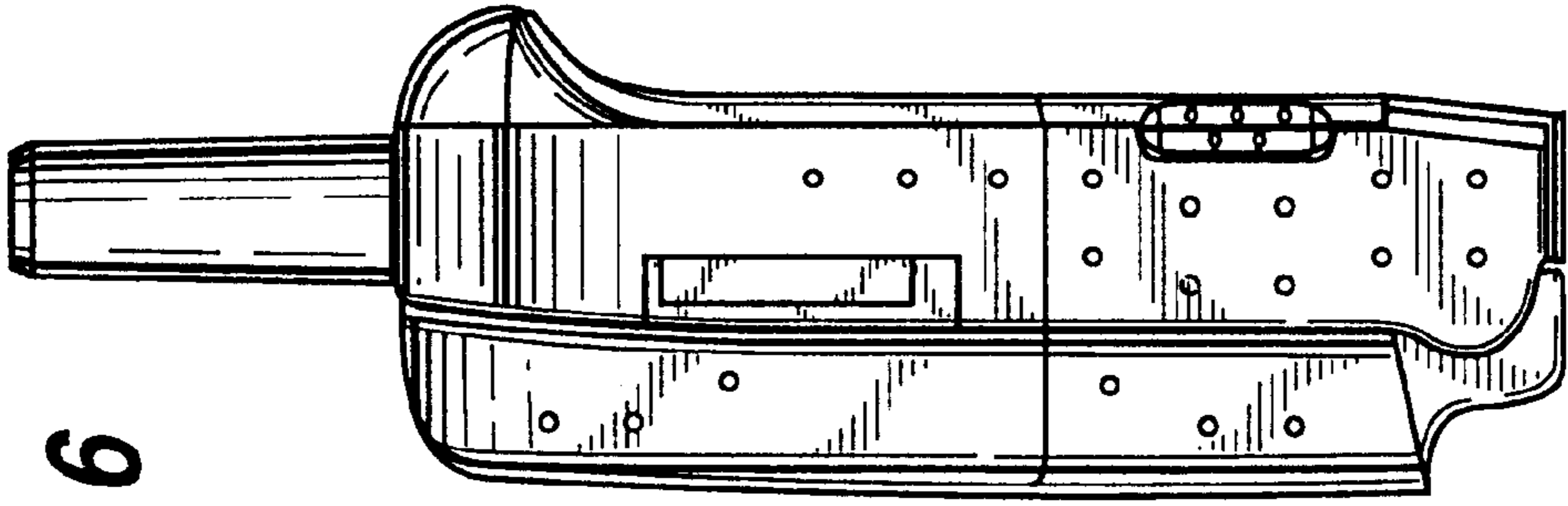


FIG. 6

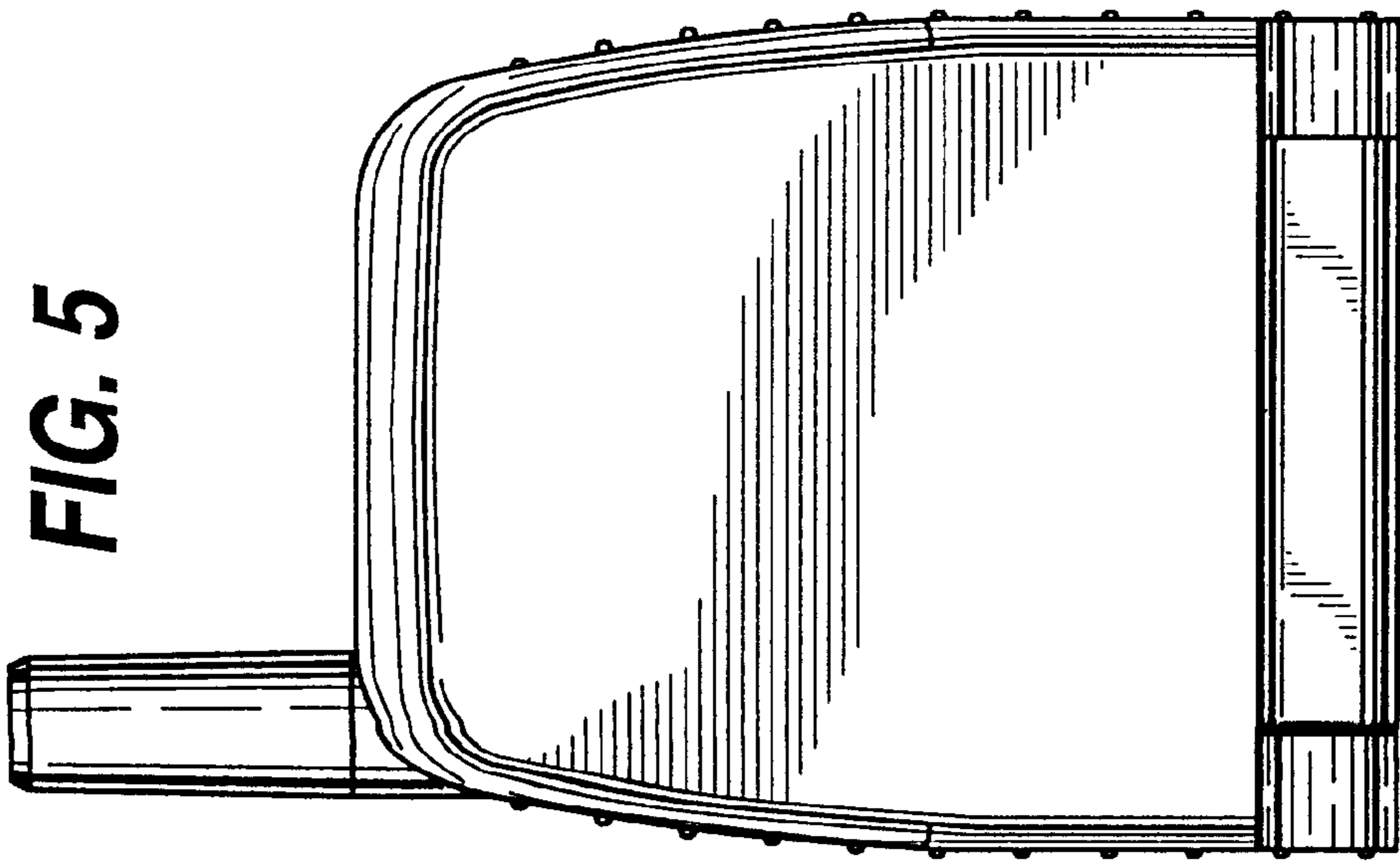


FIG. 5

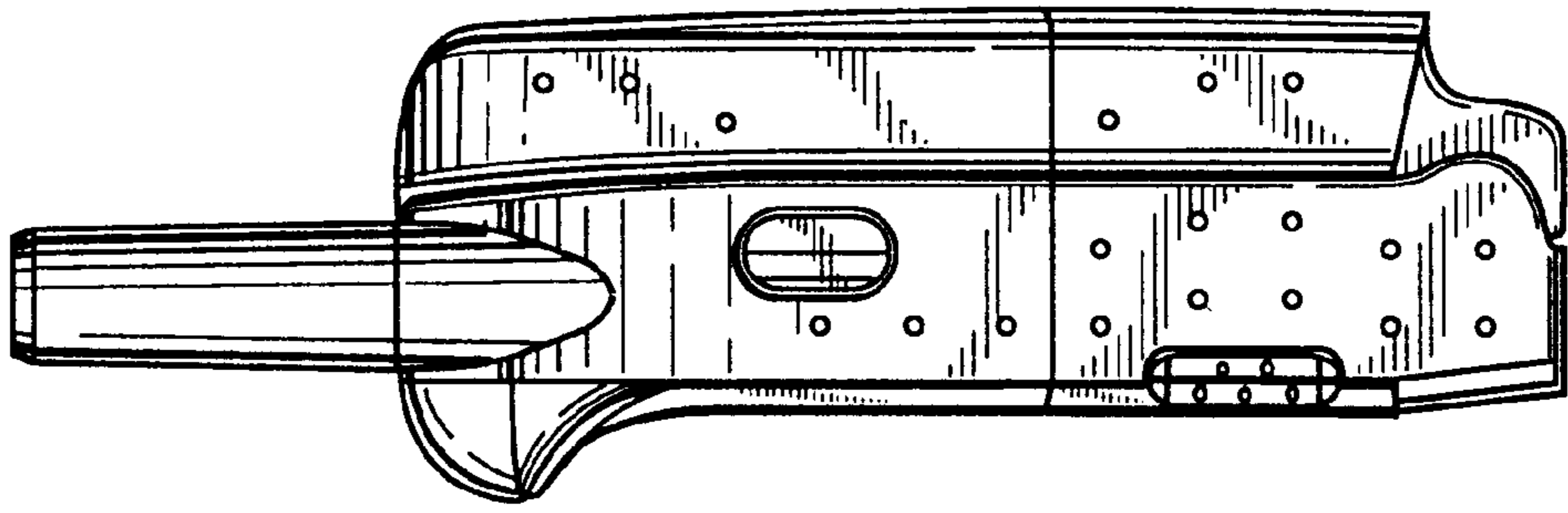


FIG. 8

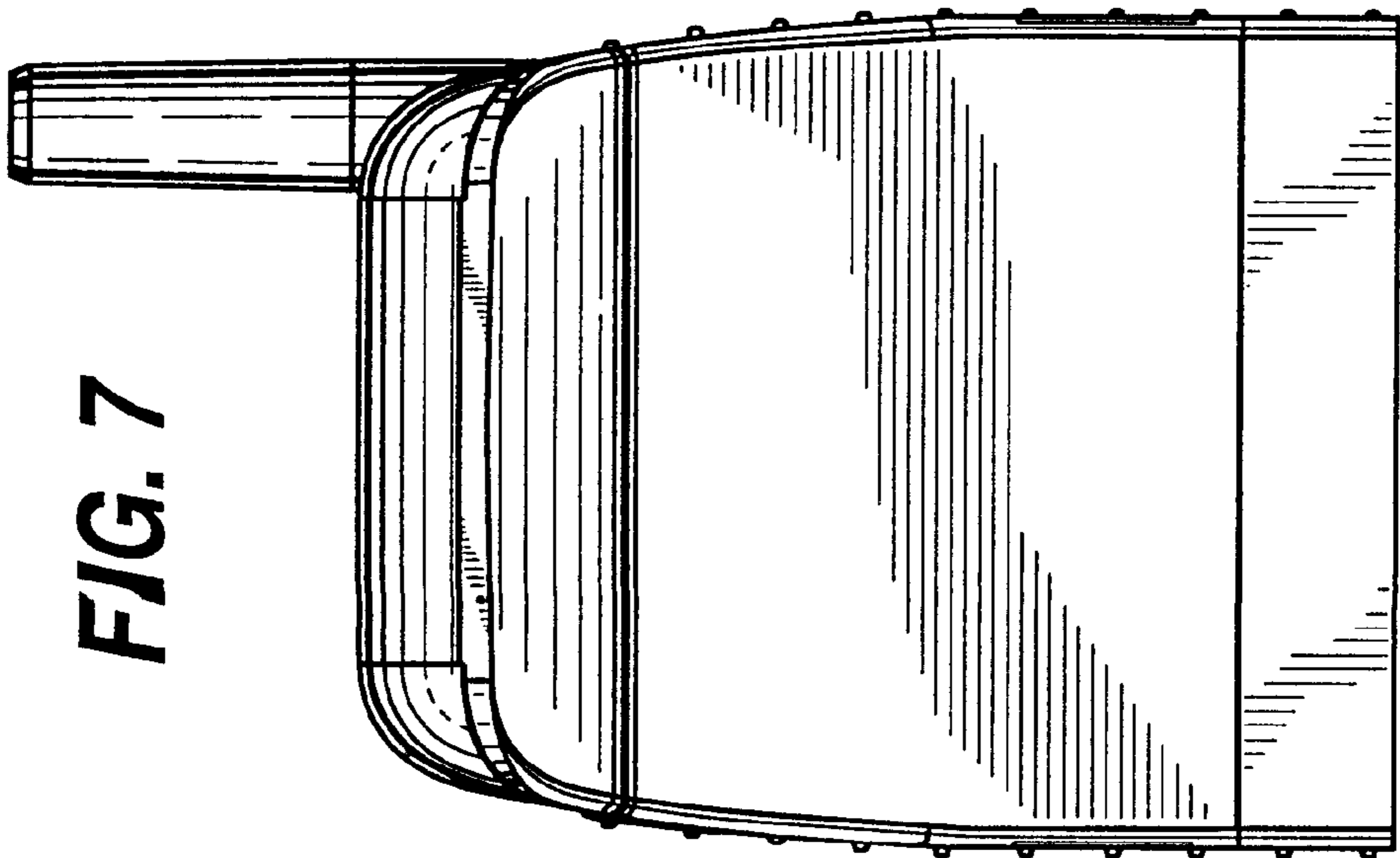


FIG. 7

FIG. 10

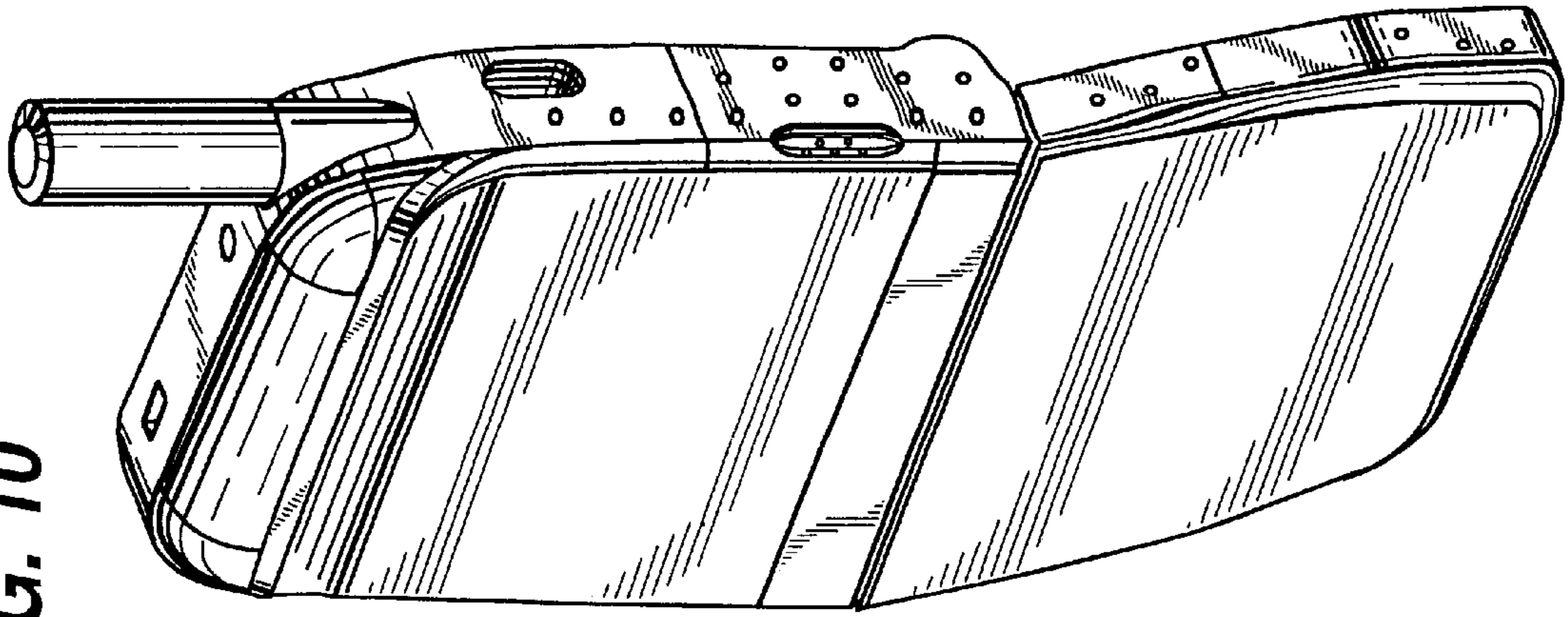
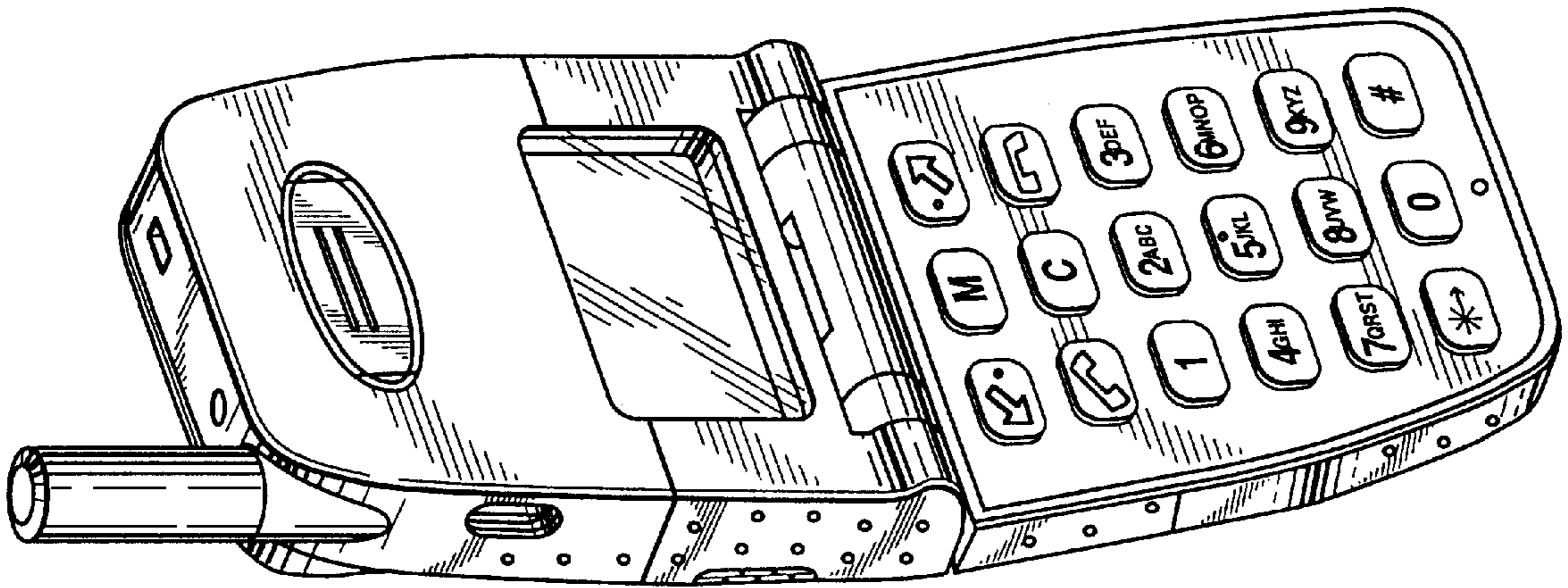


FIG. 9



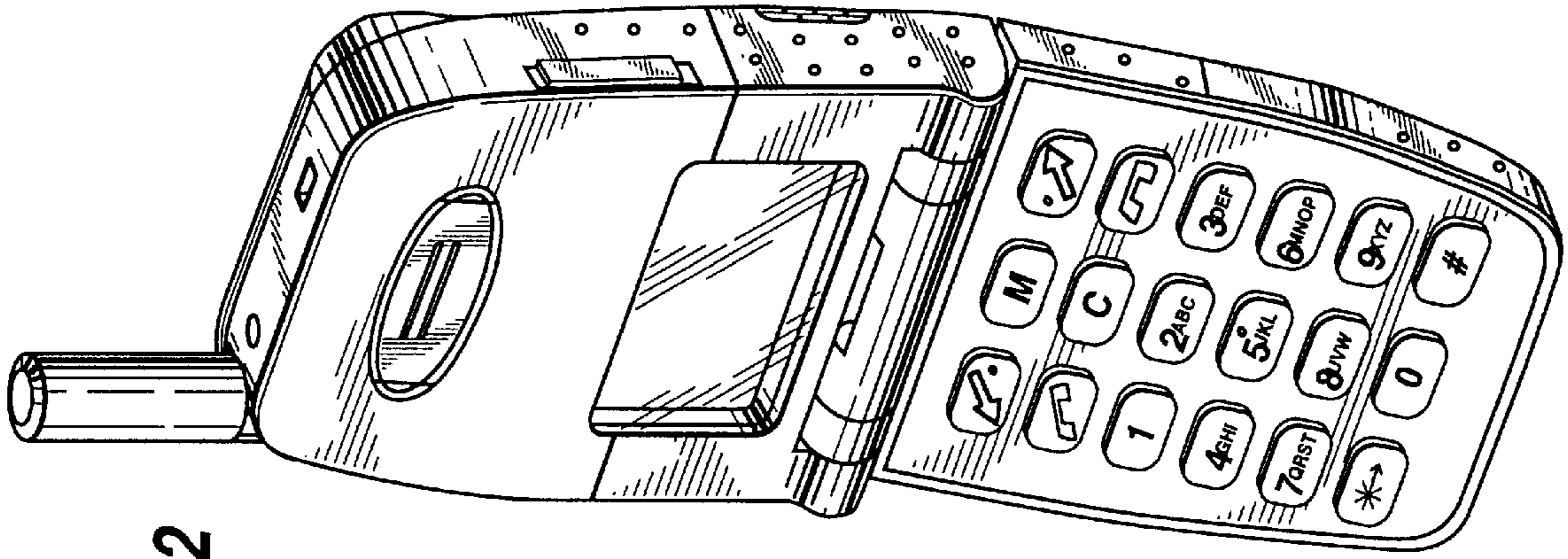


FIG. 12

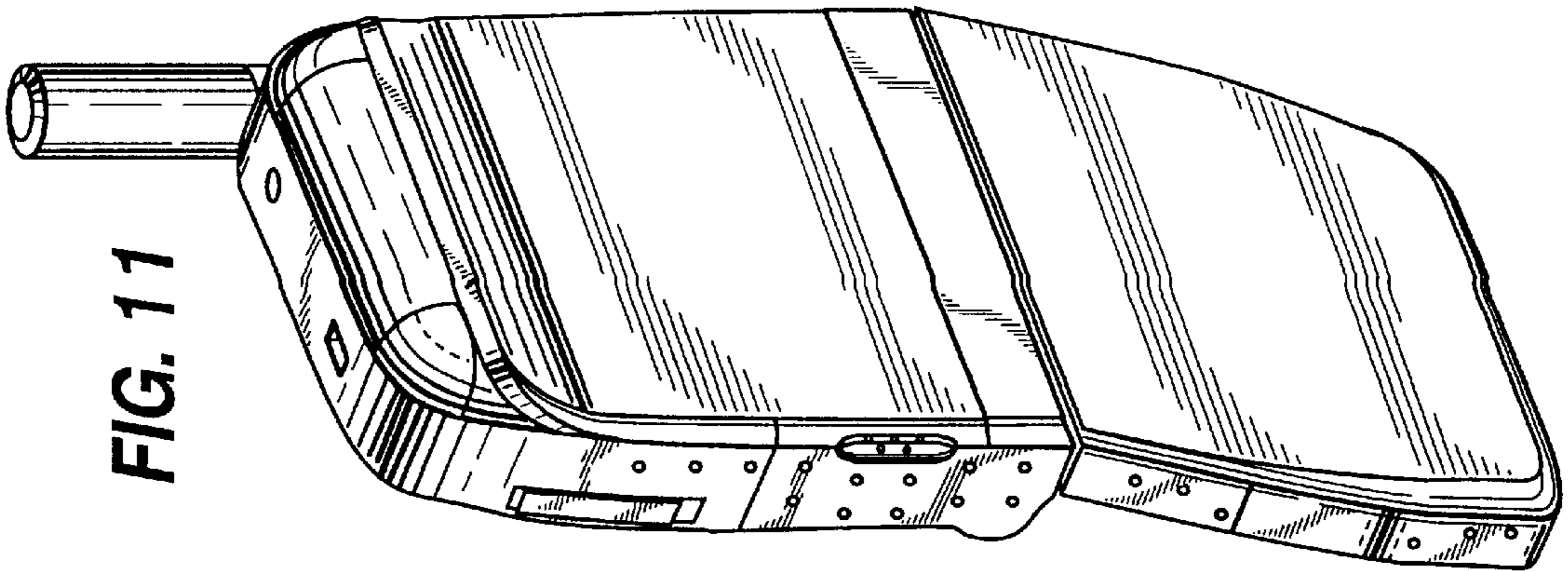


FIG. 11

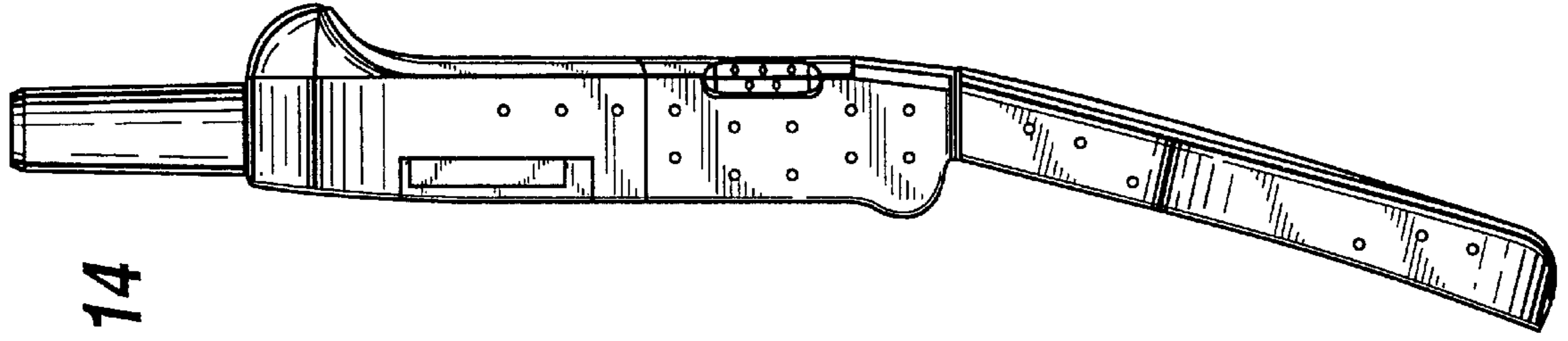


FIG. 14

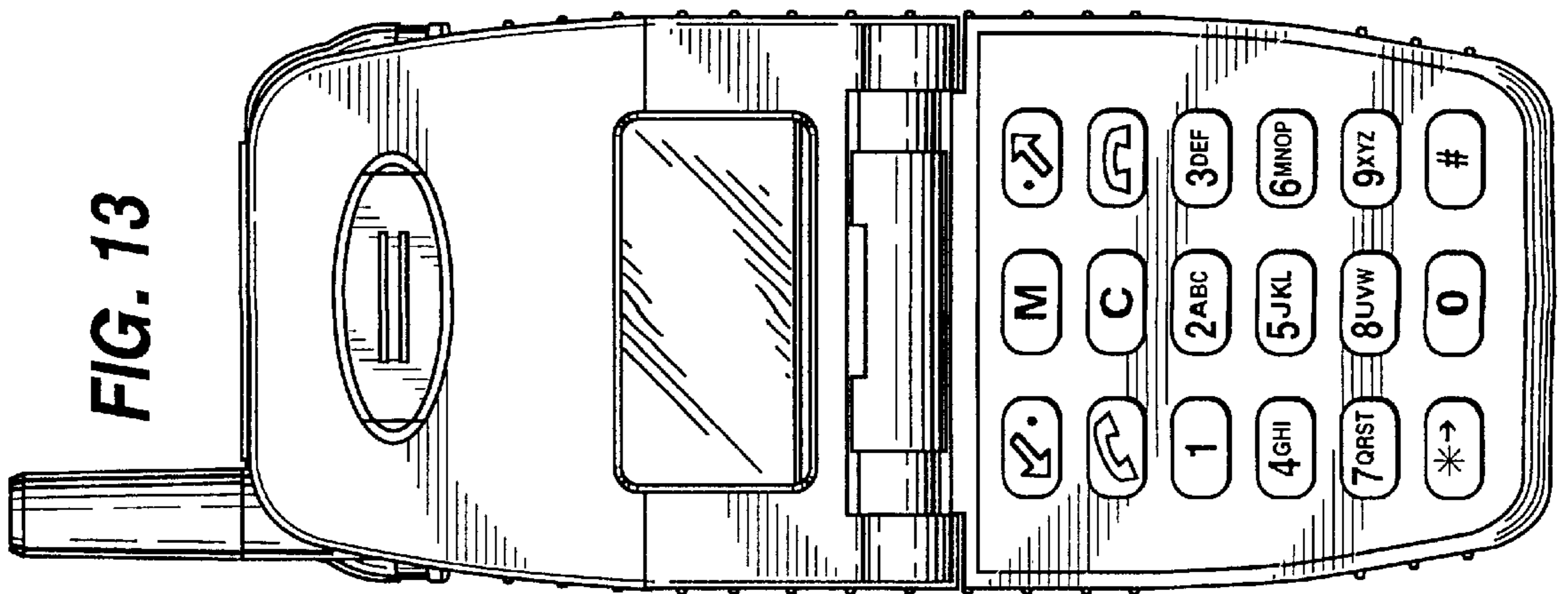


FIG. 13

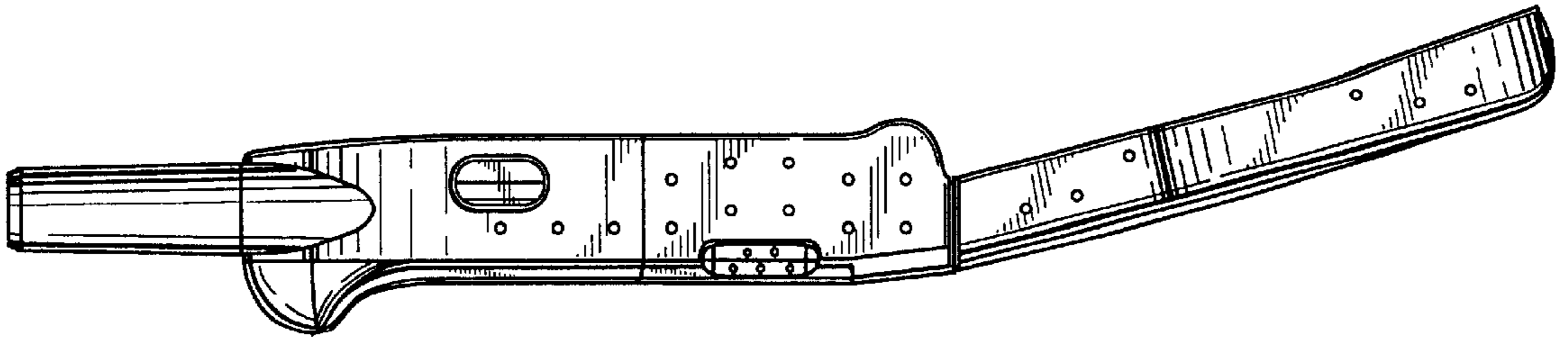


FIG. 16

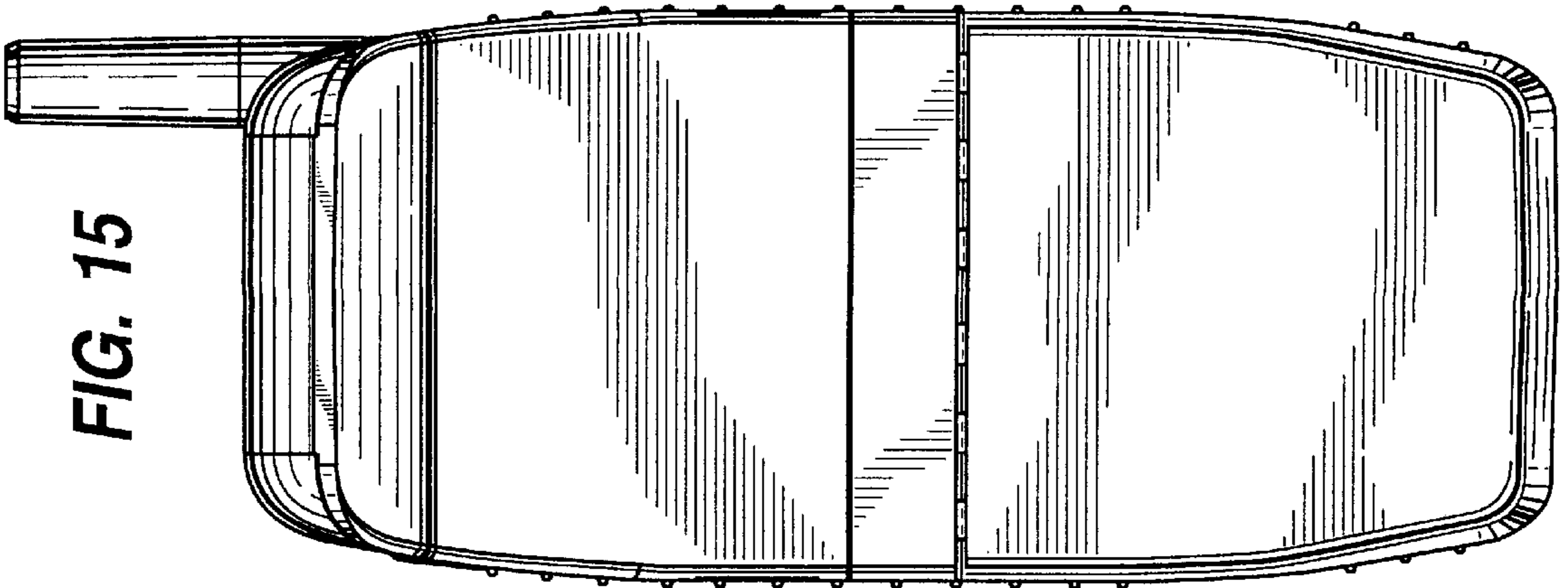


FIG. 15

FIG. 18

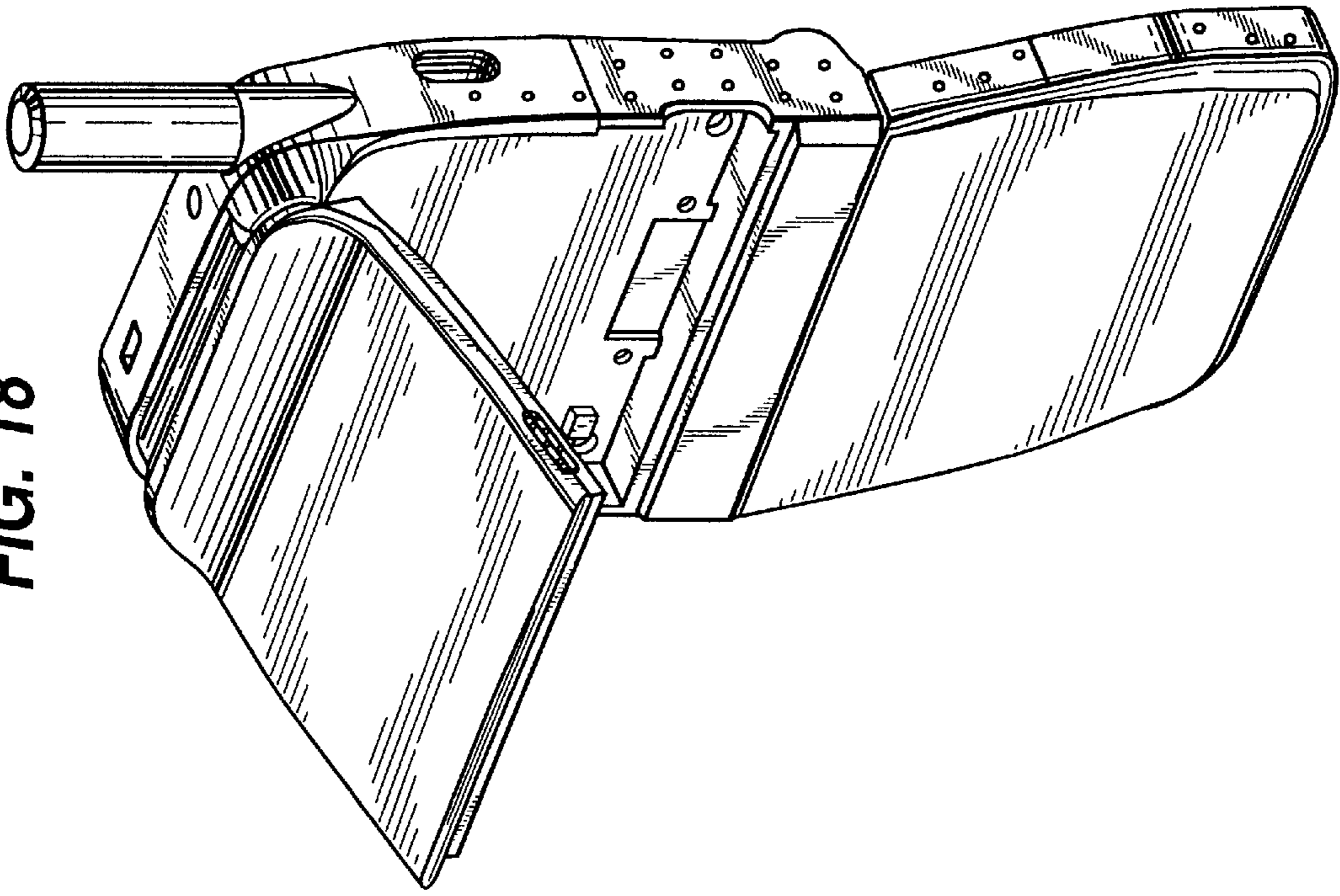
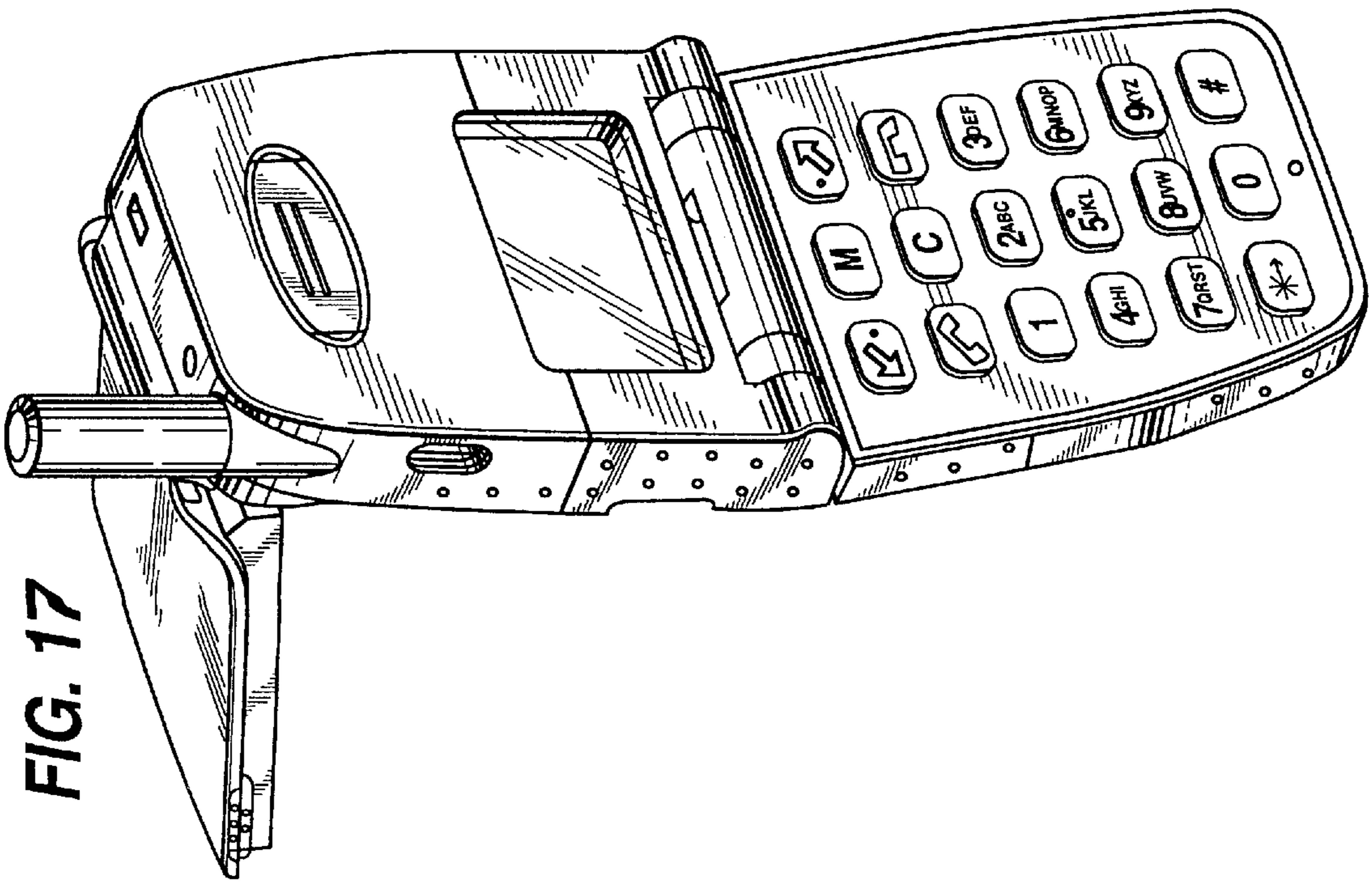


FIG. 17



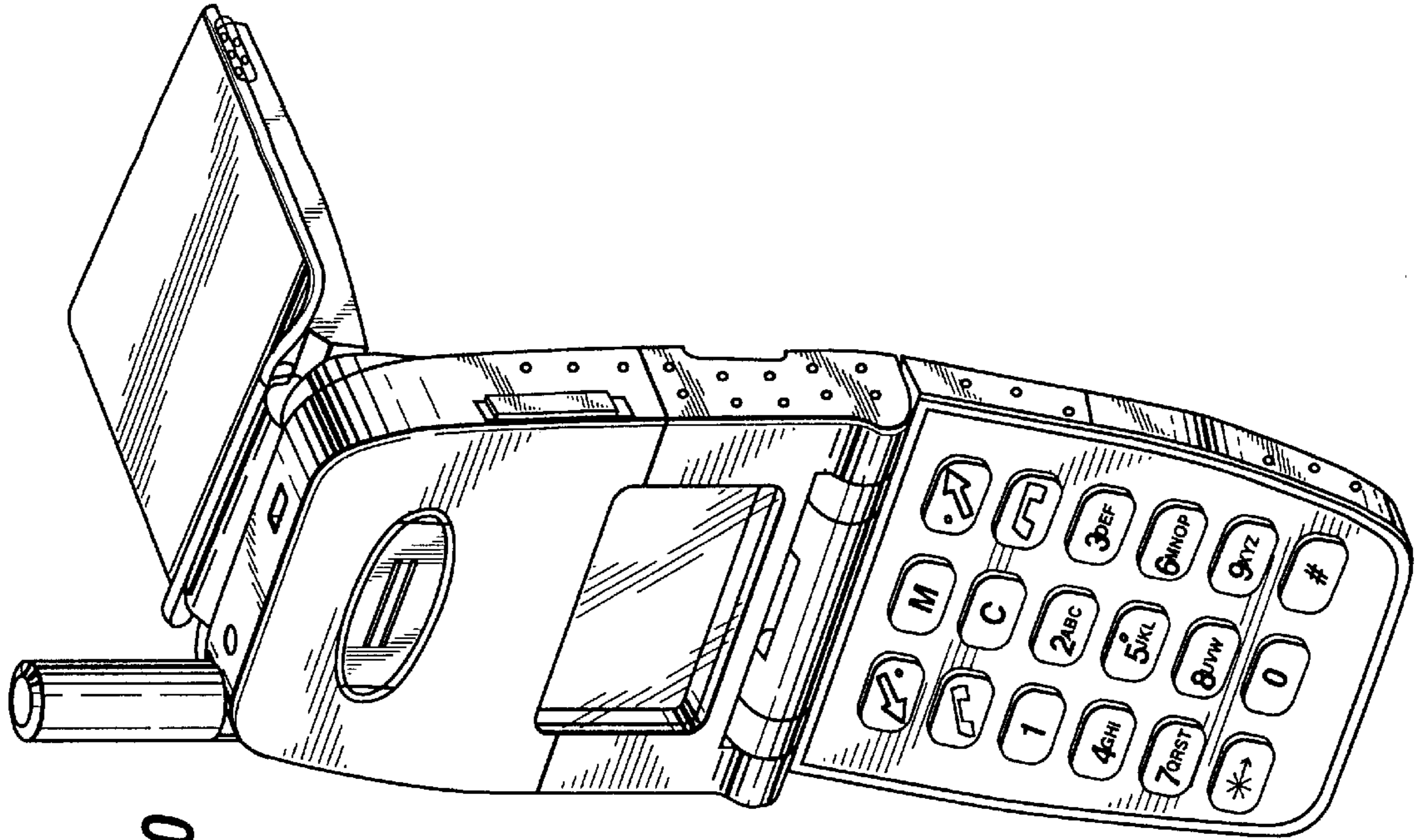


FIG. 20

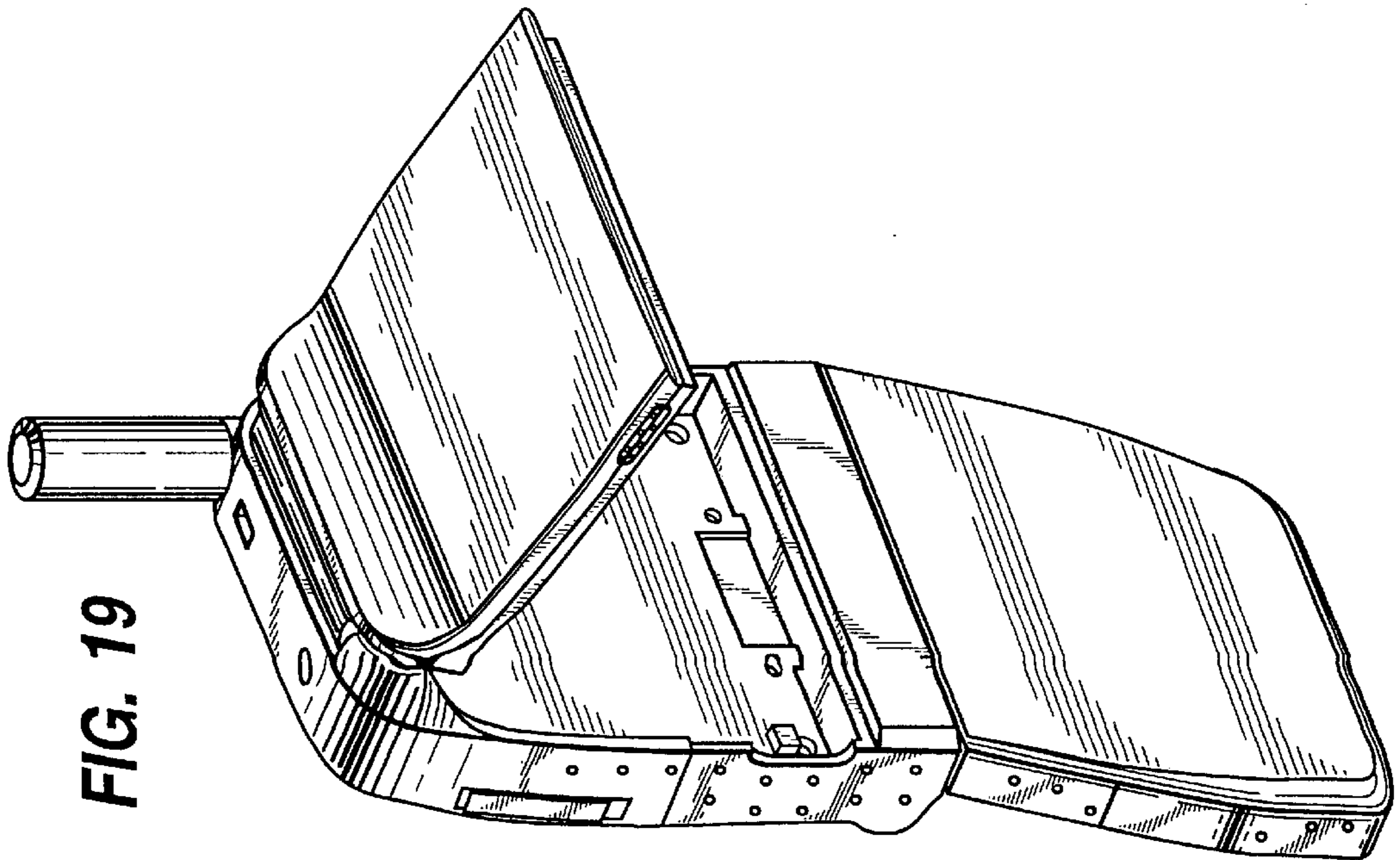


FIG. 19

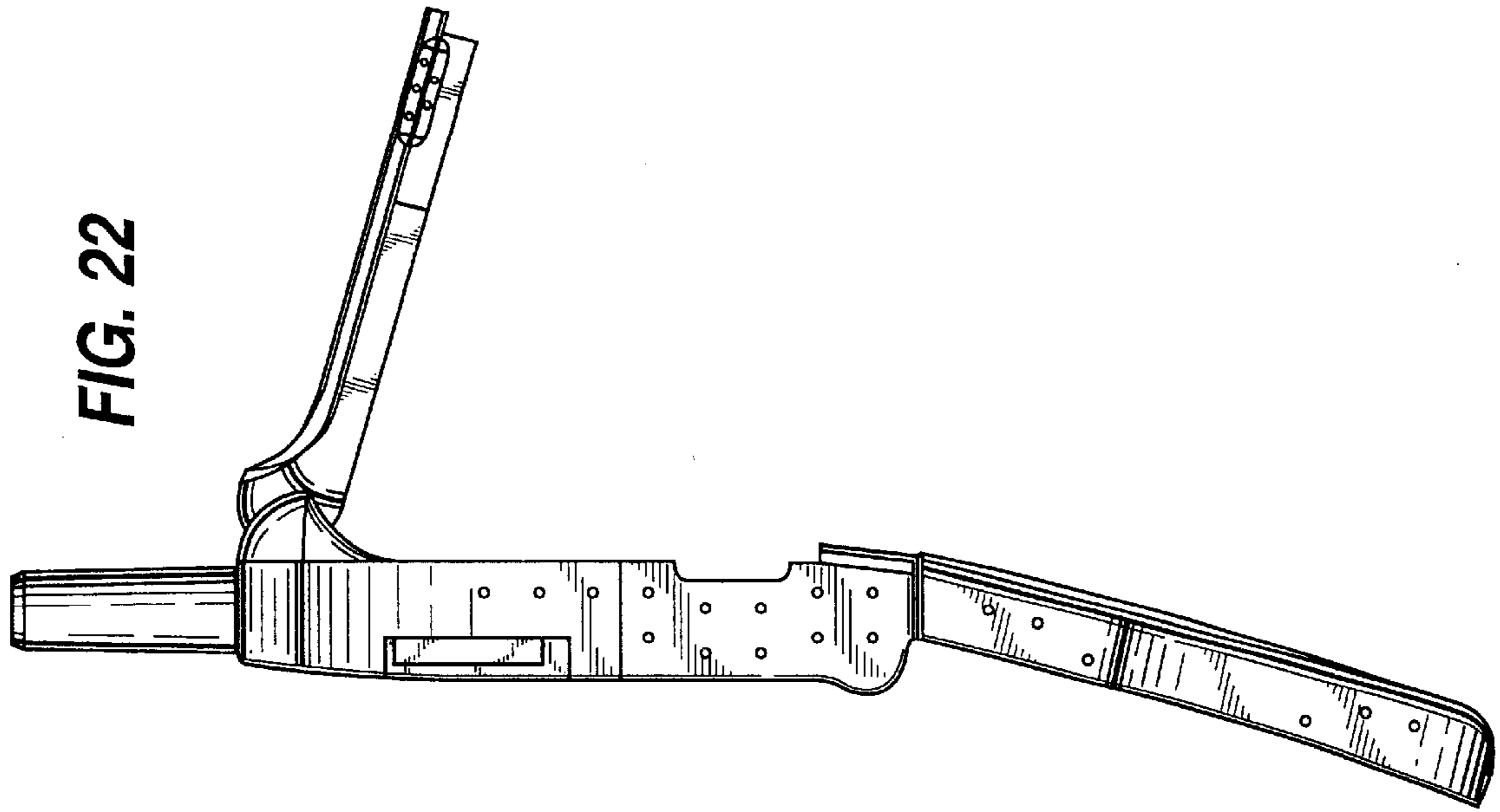


FIG. 22

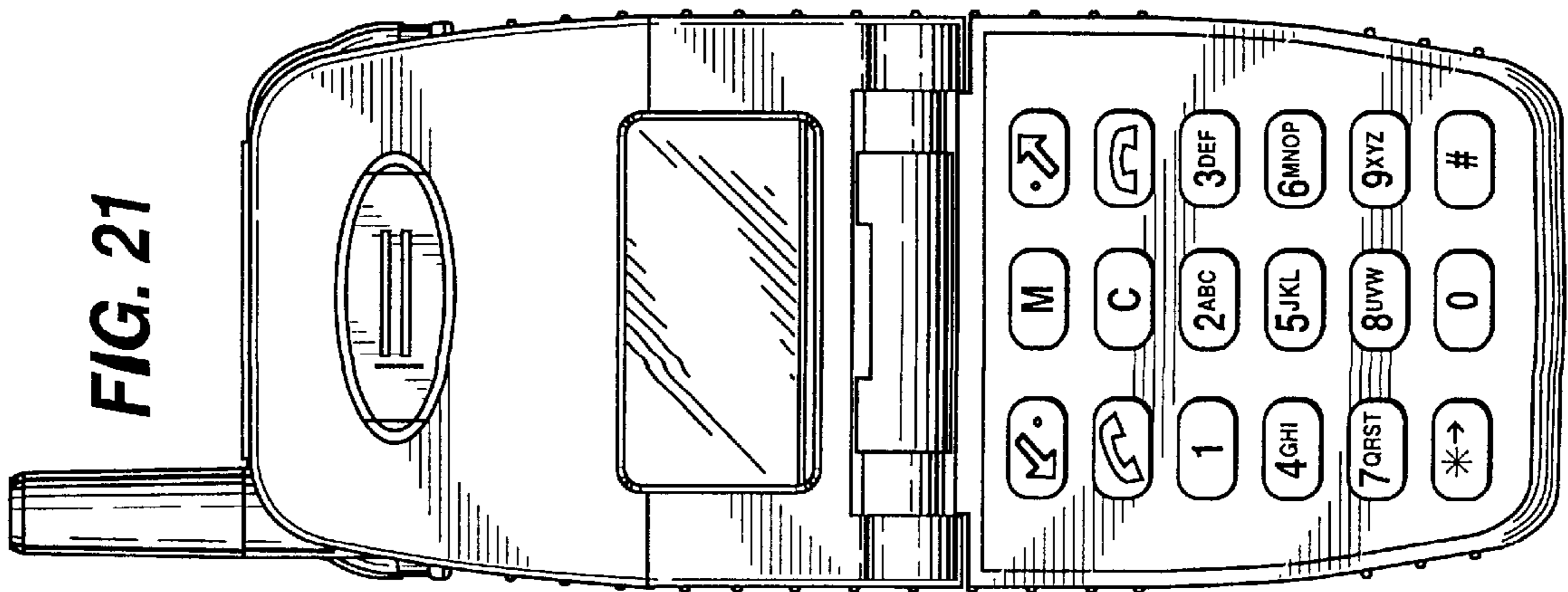


FIG. 21

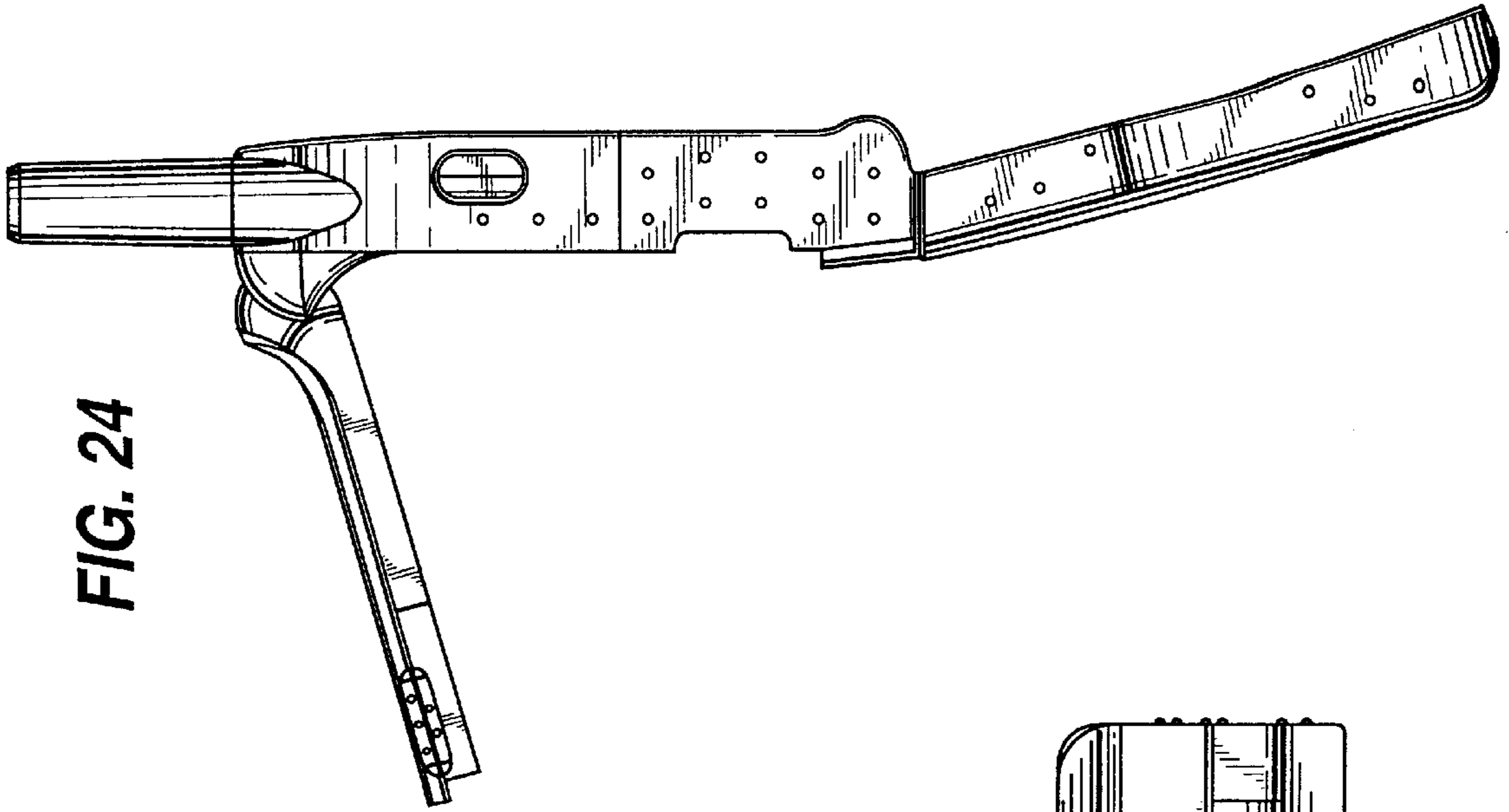


FIG. 24

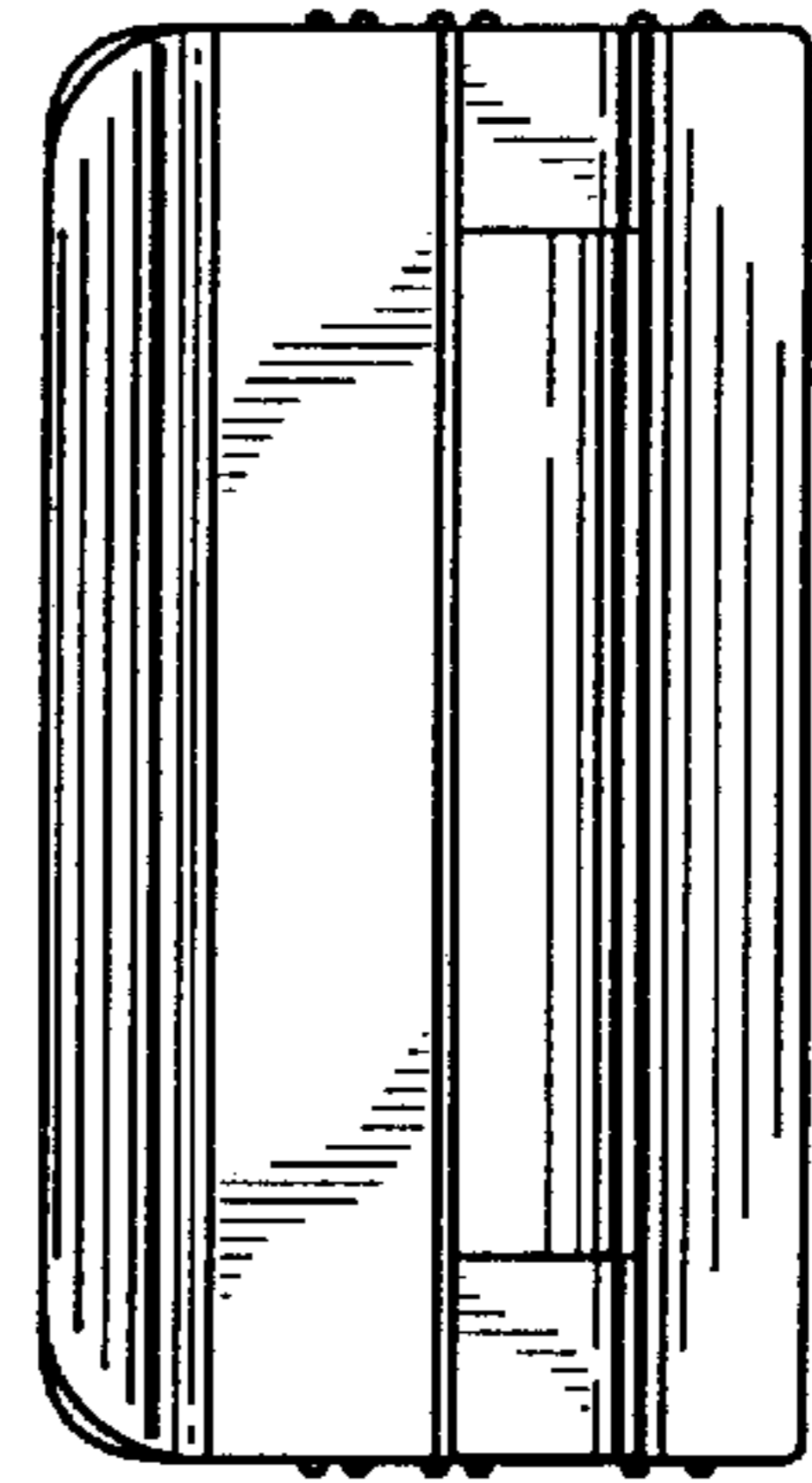


FIG. 25

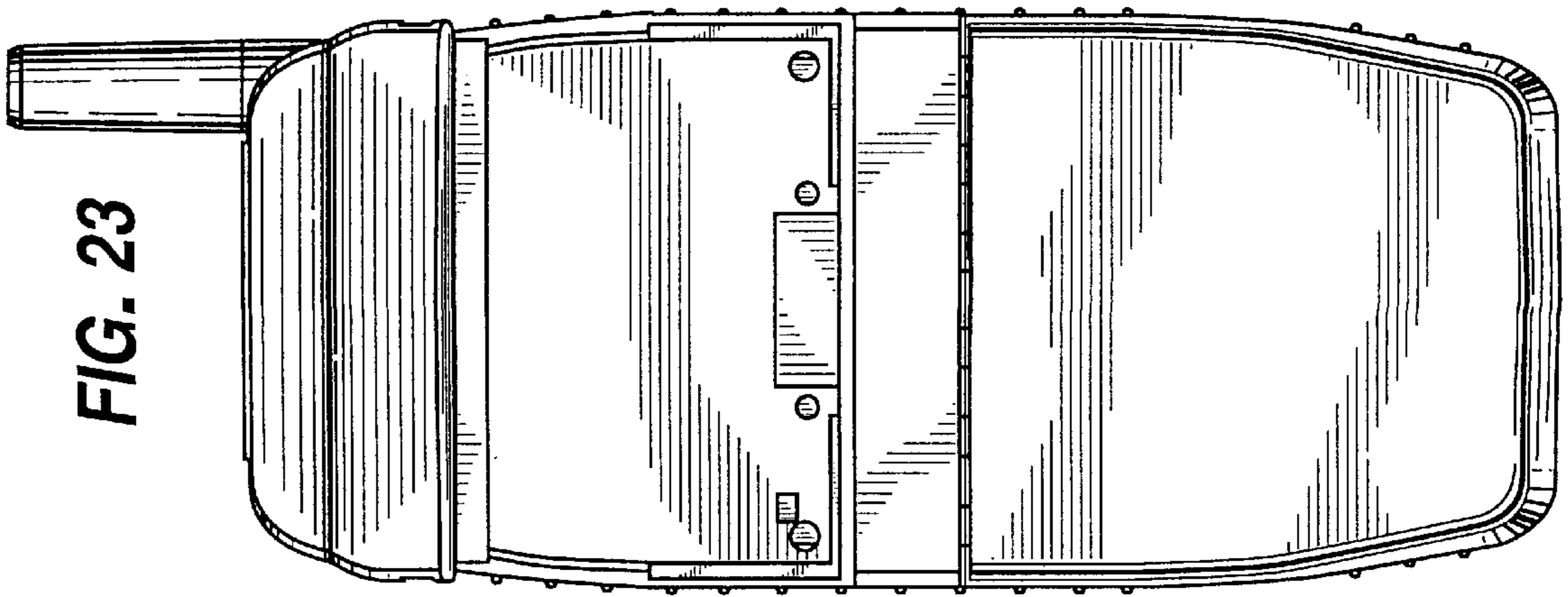


FIG. 23