



US00D414483S

United States Patent [19]

Cox et al.

[11] Patent Number: **Des. 414,483**

[45] Date of Patent: **** Sep. 28, 1999**

[54] **COMPUTER MOUSE**

D. 405,072 2/1999 Tso D14/114

[75] Inventors: **Aaron Roger Cox**, Raleigh; **David Wayne Hill**, Cary, both of N.C.

Primary Examiner—M. H. Tung
Attorney, Agent, or Firm—Anthony N. Magistrale; Andrew J. Dillon

[73] Assignee: **International Business Machines Corporation**, Armonk, N.Y.

[57] CLAIM

[**] Term: **14 Years**

The ornamental design for a computer mouse, as shown and described.

[21] Appl. No.: **29/082,761**

DESCRIPTION

[22] Filed: **Jan. 7, 1998**

FIG. 1 is a perspective view of the computer mouse of the present invention.

[51] **LOC (6) Cl.** **14-02**

FIG. 2 is a rear view of the computer mouse of the present invention.

[52] **U.S. Cl.** **D14/117.3**

[58] **Field of Search** D14/100, 114,
D14/117.1-117.9; D13/158; D21/385, 333;
200/5 R, 5 A, 6 R, 6 A; 273/148 B; 345/156-67;
74/471 XY; 463/36-39

FIG. 3 is a front view of the computer mouse of the present invention.

FIG. 4 is a left-side view of the computer mouse of the present invention.

FIG. 5 is a right-side view of the computer mouse of the present invention.

FIG. 6 is a top view of the computer mouse of the present invention; and,

FIG. 7 is a bottom view of the computer mouse of the present invention.

[56] References Cited

U.S. PATENT DOCUMENTS

D. 330,706	11/1992	San-Yih	D14/114
D. 349,280	8/1994	Kaneko	D14/114
D. 381,014	7/1997	Kraus et al.	D14/114
D. 397,330	8/1998	Lister-Myers et al.	D14/114

1 Claim, 4 Drawing Sheets

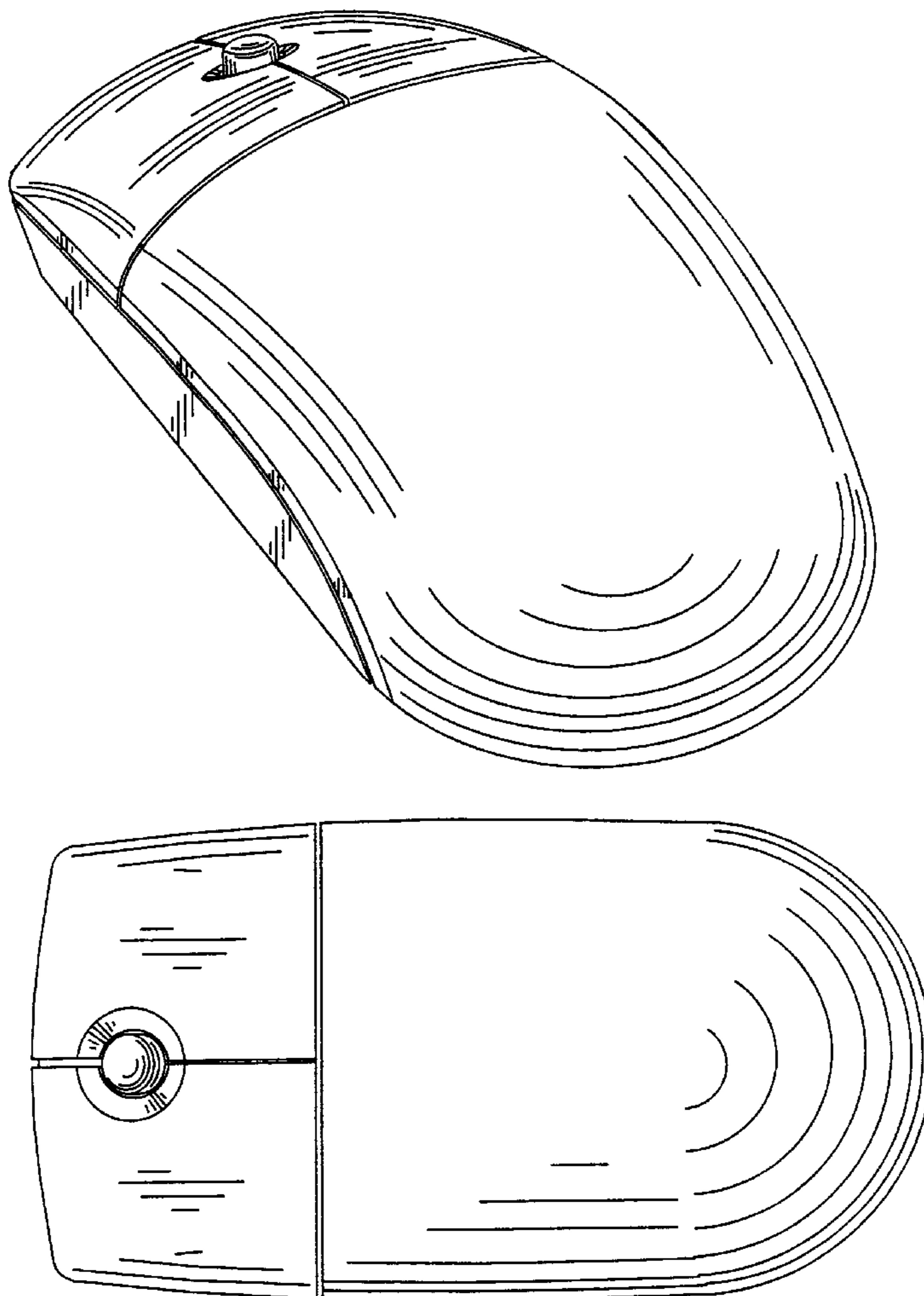


FIG. 1

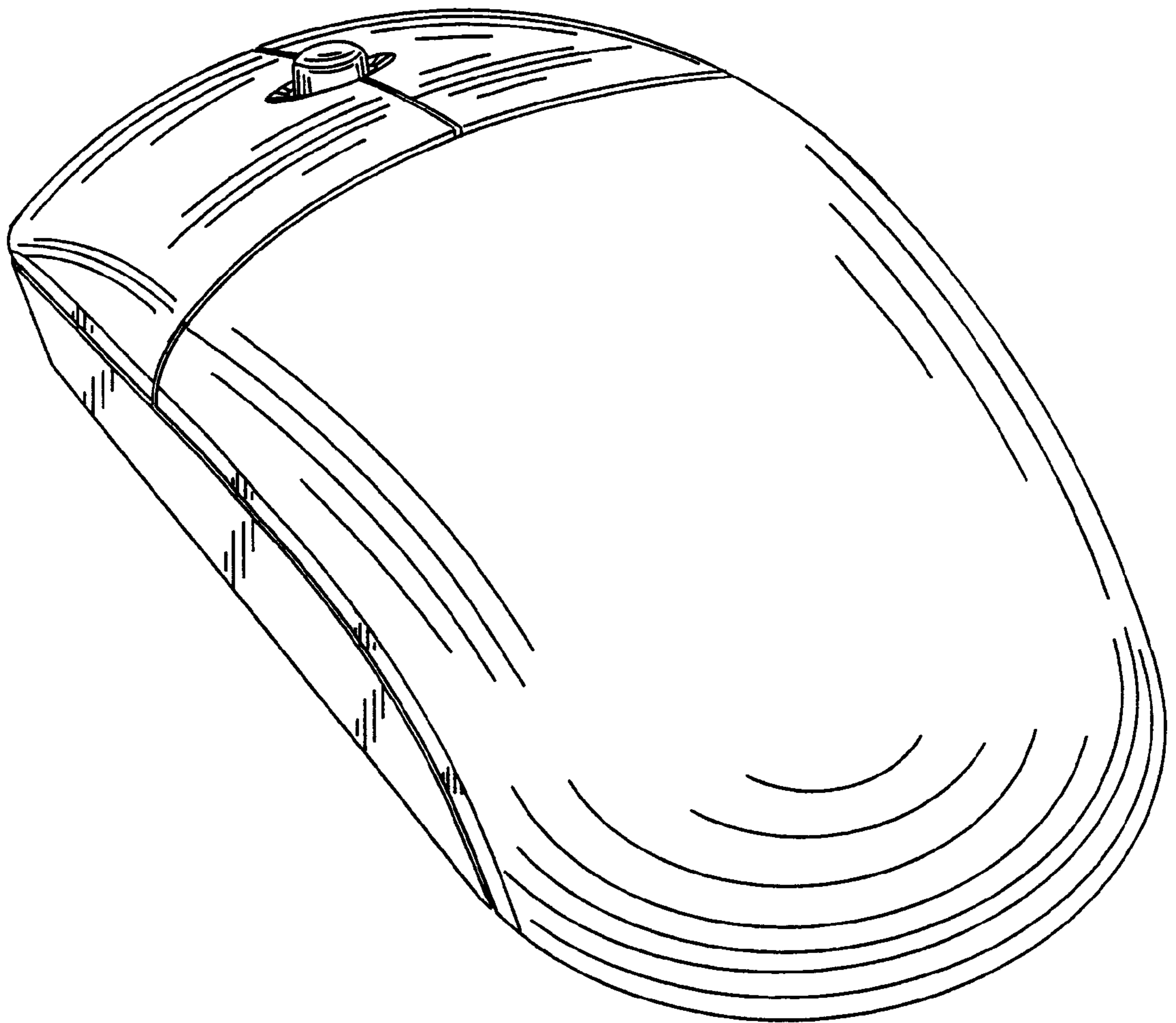


FIG. 2

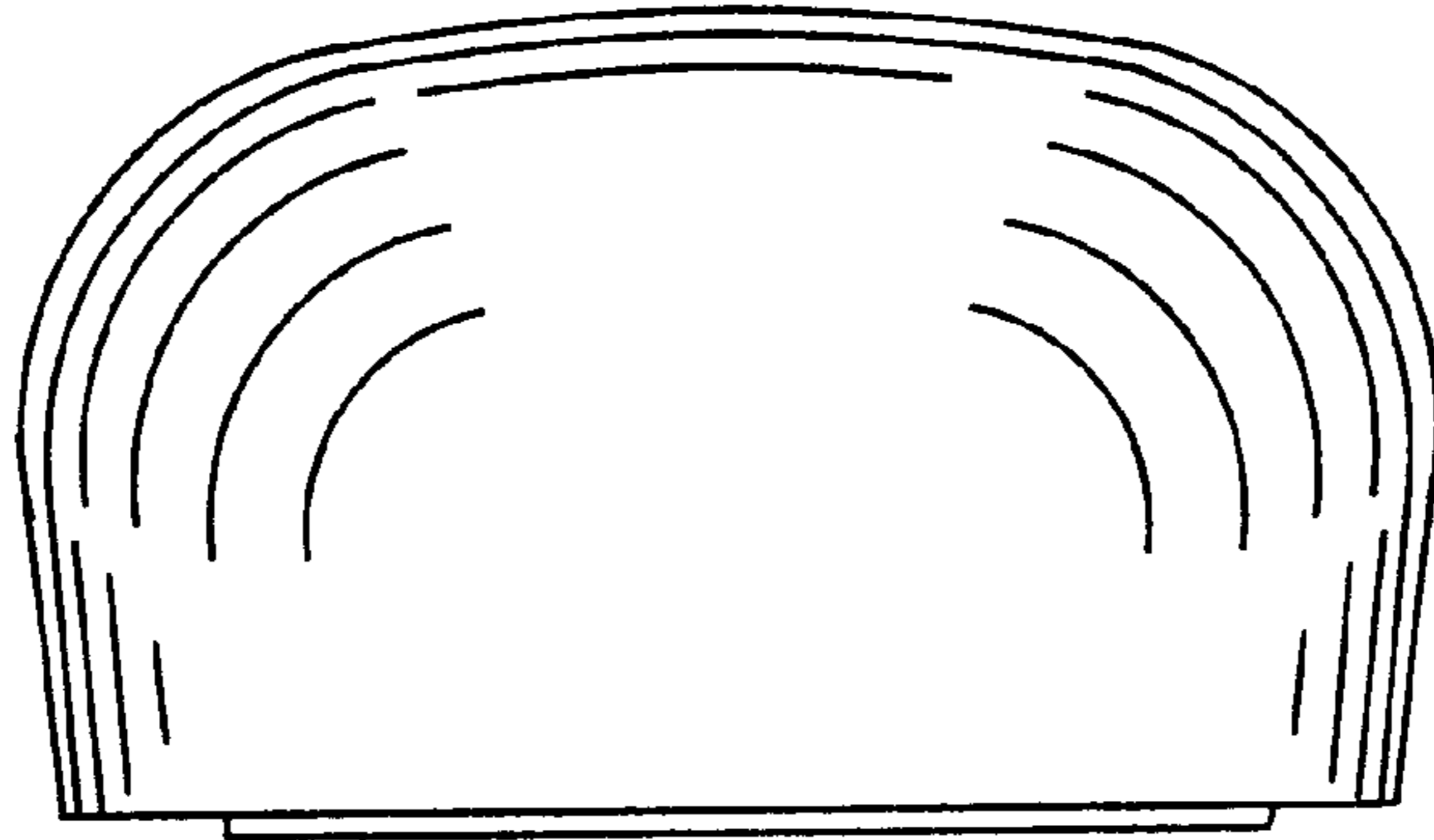


FIG. 3

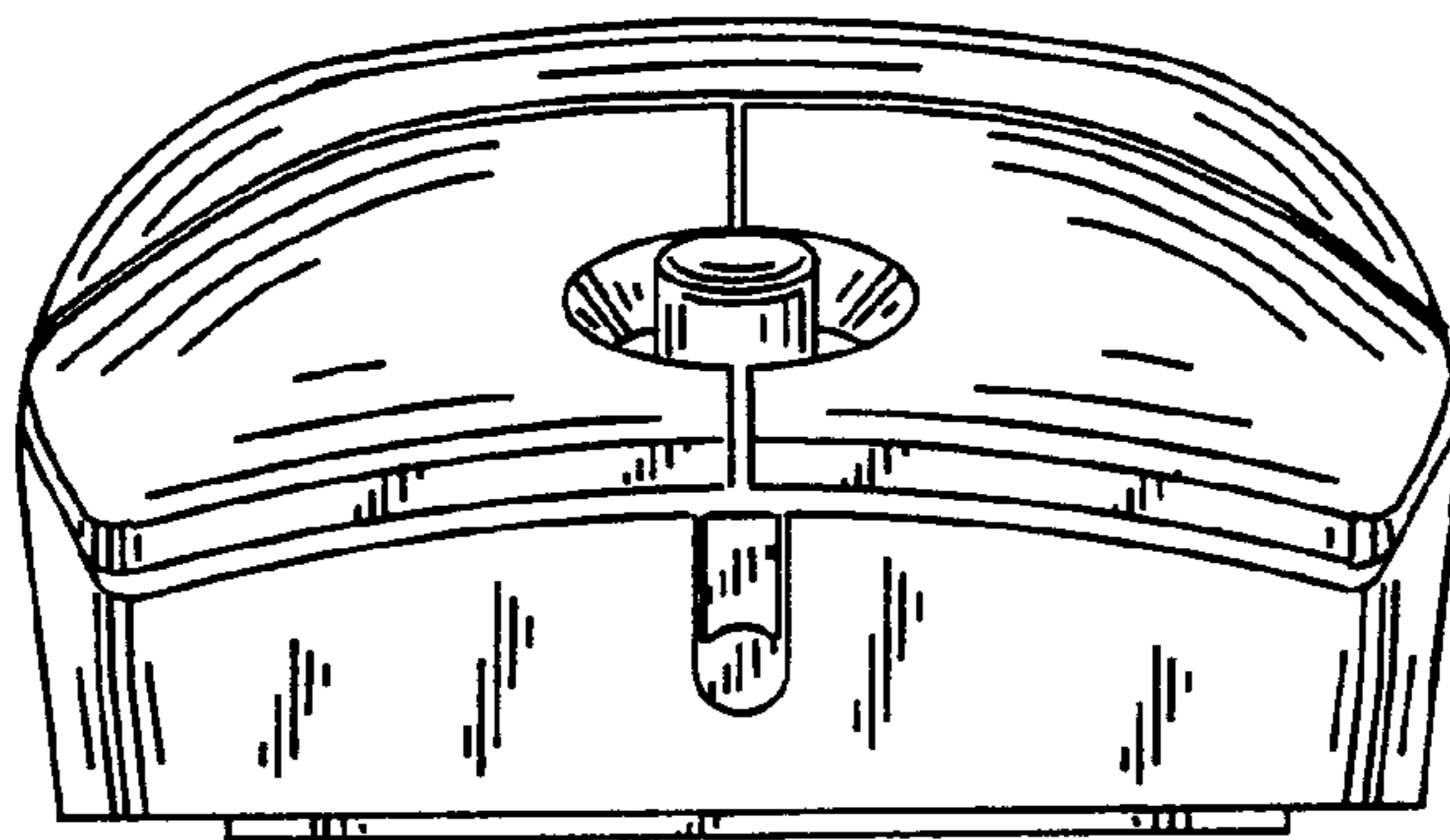


FIG. 4

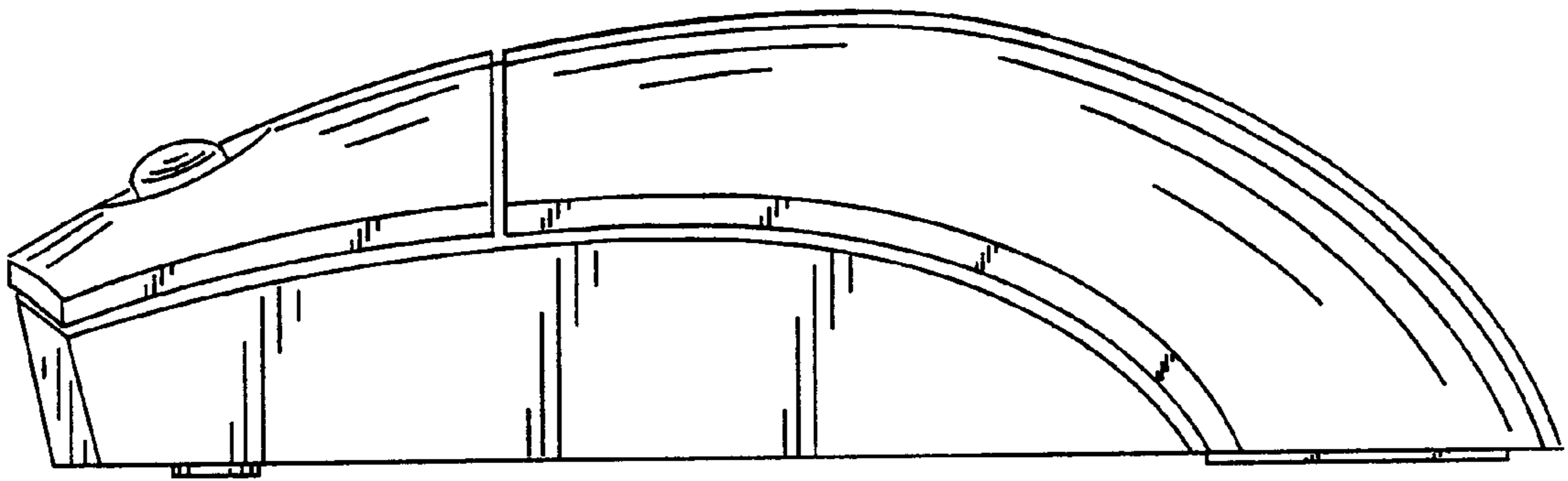


FIG. 5

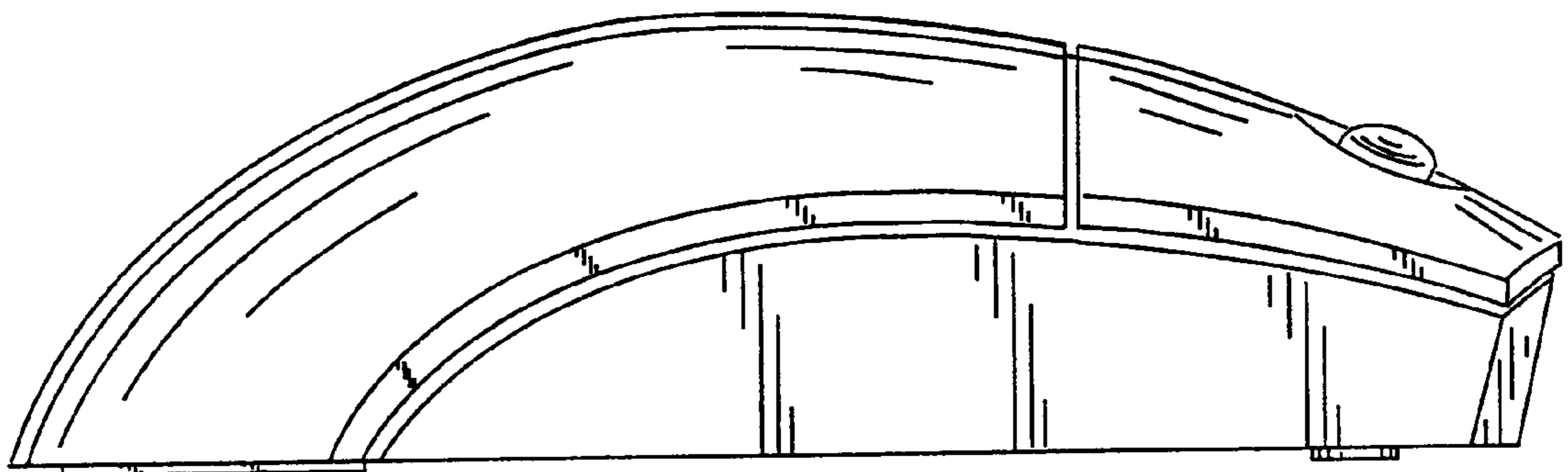


FIG. 6

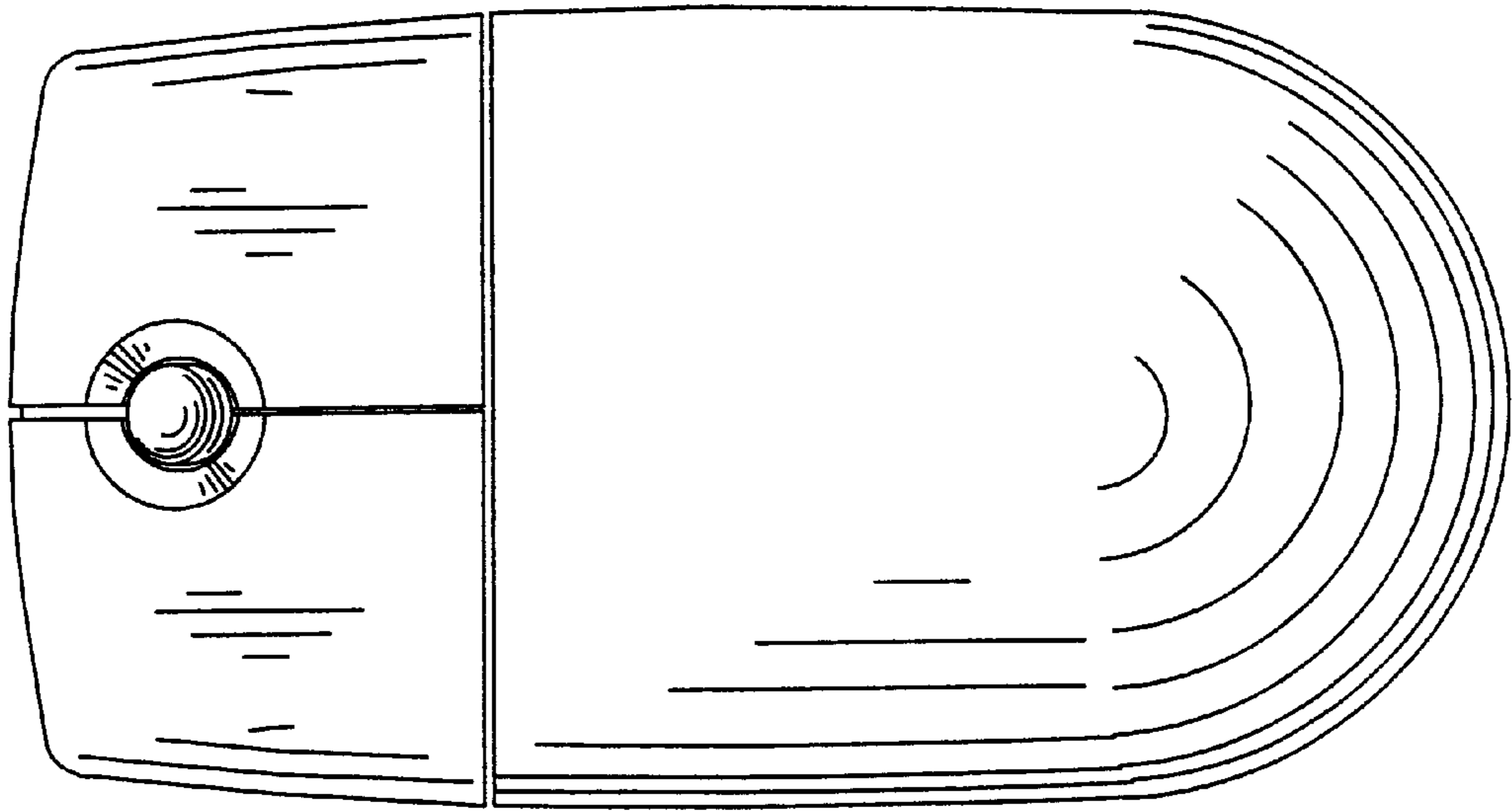


FIG. 7

