



US00D414482S

United States Patent [19]
Chu et al.

[11] **Patent Number: Des. 414,482**

[45] **Date of Patent: ** Sep. 28, 1999**

[54] **COMPUTER CURSOR CONTROLLER**

[75] Inventors: **Robin W. Chu; Mark A. Edwards,**
both of San Francisco, Calif.; **Raymond**
B. Larsen, Rawlins, Wyo.

[73] Assignee: **Altra Corporation,** Rawlins, Wyo.

[**] Term: **14 Years**

[21] Appl. No.: **29/098,762**

[22] Filed: **Jan. 5, 1999**

[51] **LOC (6) Cl. 14-02**

[52] **U.S. Cl. D14/117.1; D14/114**

[58] **Field of Search** D14/100, 114,
D14/117.1; D13/158; D21/324; 178/18,
19; 345/156-167

[56] **References Cited**

U.S. PATENT DOCUMENTS

D. 299,141	12/1988	Louis	D14/114
D. 304,447	11/1989	Adams et al.	D14/114
D. 331,043	11/1992	Yang	D14/114
D. 359,955	7/1995	Barrett	D14/114
D. 378,211	2/1997	Kuo	D14/114

Primary Examiner—Kay H. Chin
Attorney, Agent, or Firm—Flehr Hohbach Test Albritton &
Herbert LLP

[57] **CLAIM**

The ornamental design for a computer cursor controller, as shown and described.

DESCRIPTION

FIG. 1 is a perspective view of a first embodiment of a computer cursor controller showing our new design, the broken line illustration of the base portion is for illustrative purposes only;

FIG. 2 is a front view thereof;

FIG. 3 is a top view thereof;

FIG. 4 is a right side view thereof, the left side view being a mirror image thereof;

FIG. 5 is a back view thereof;

FIG. 6 is a perspective view of a second embodiment of a computer cursor controller showing our new design;

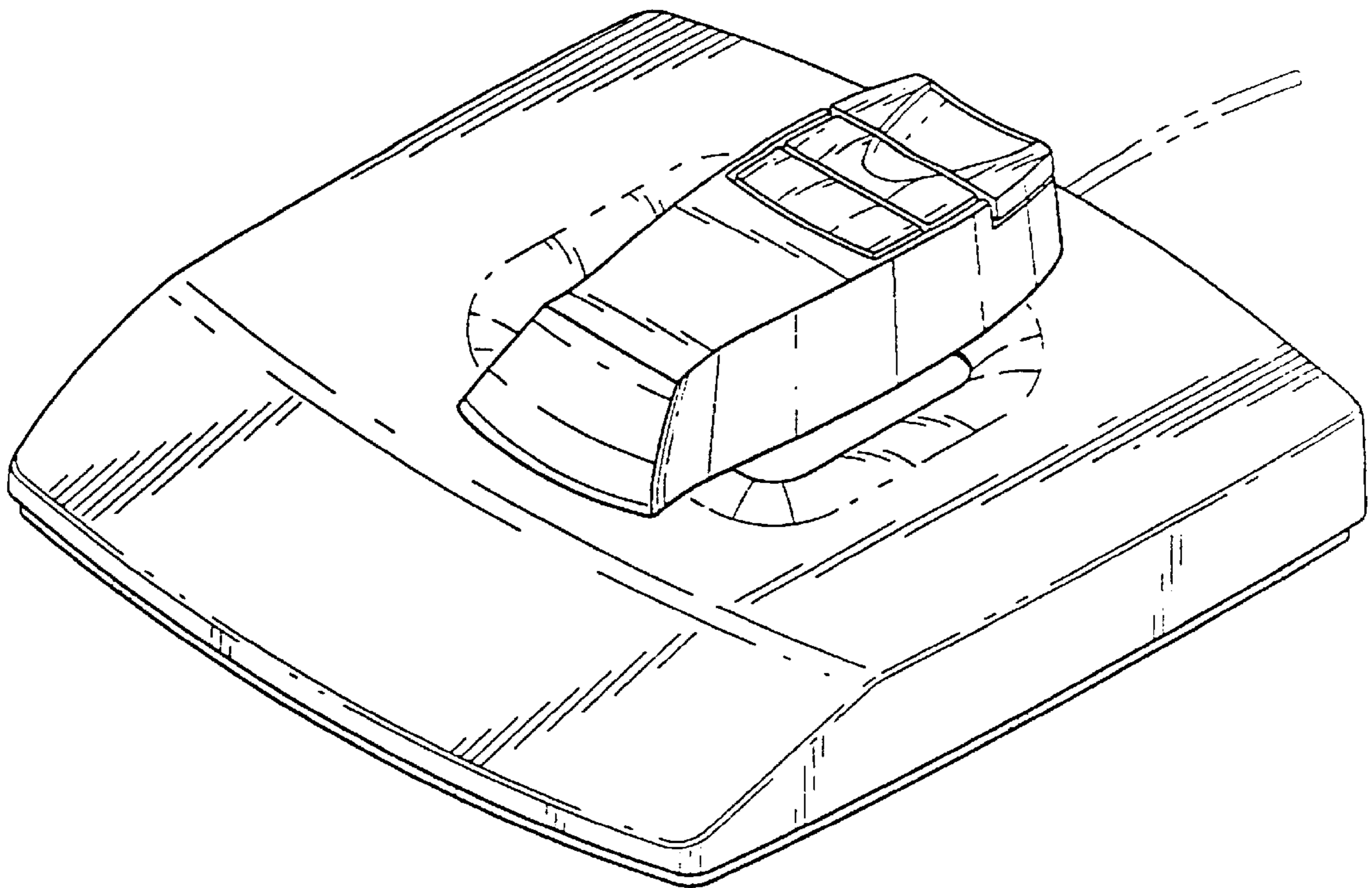
FIG. 7 is a front view thereof;

FIG. 8 is a top view thereof;

FIG. 9 is a right side view thereof, the left side view being a mirror image thereof; and,

FIG. 10 is a back view thereof.

1 Claim, 4 Drawing Sheets



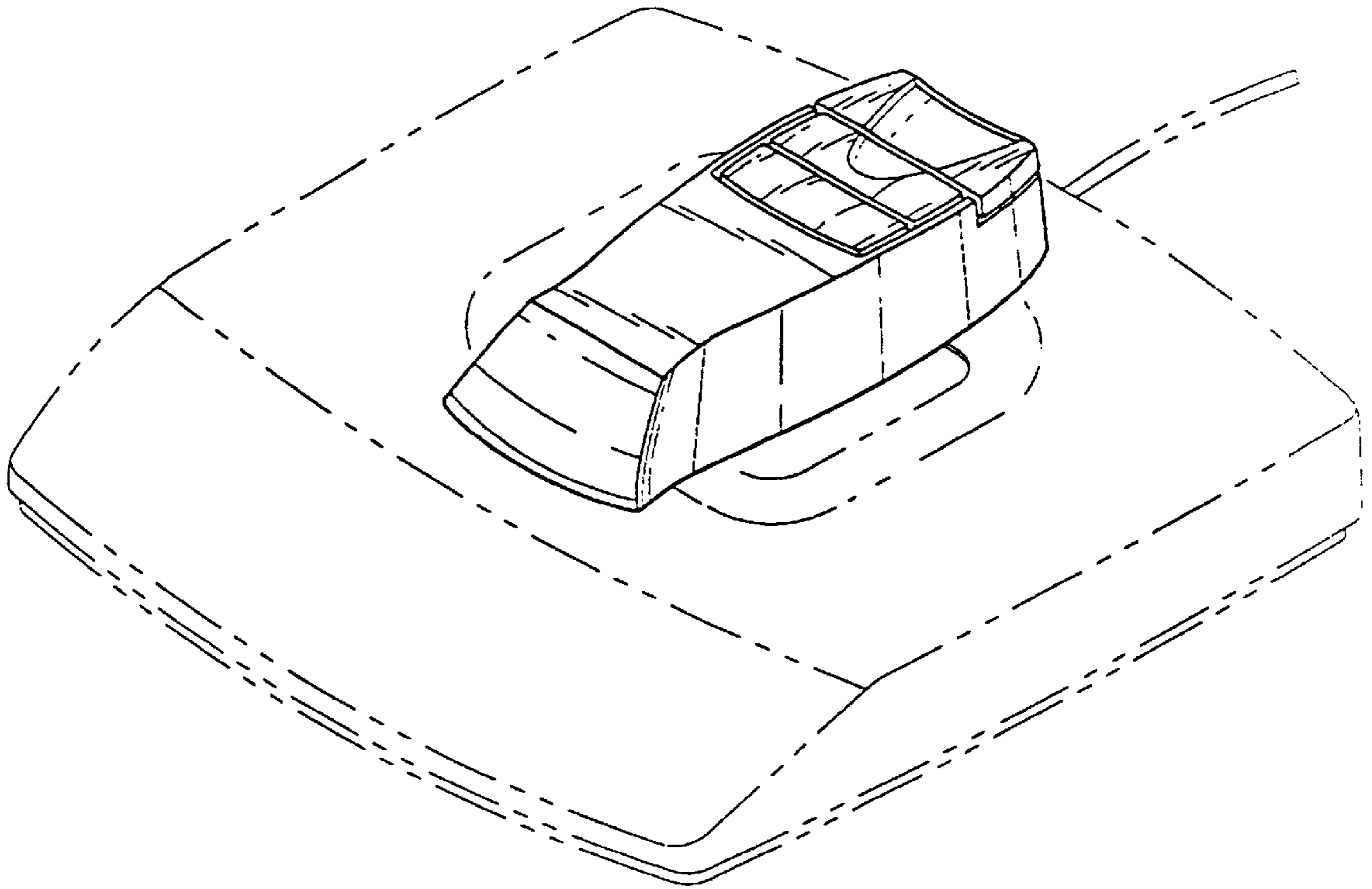


FIG. 1

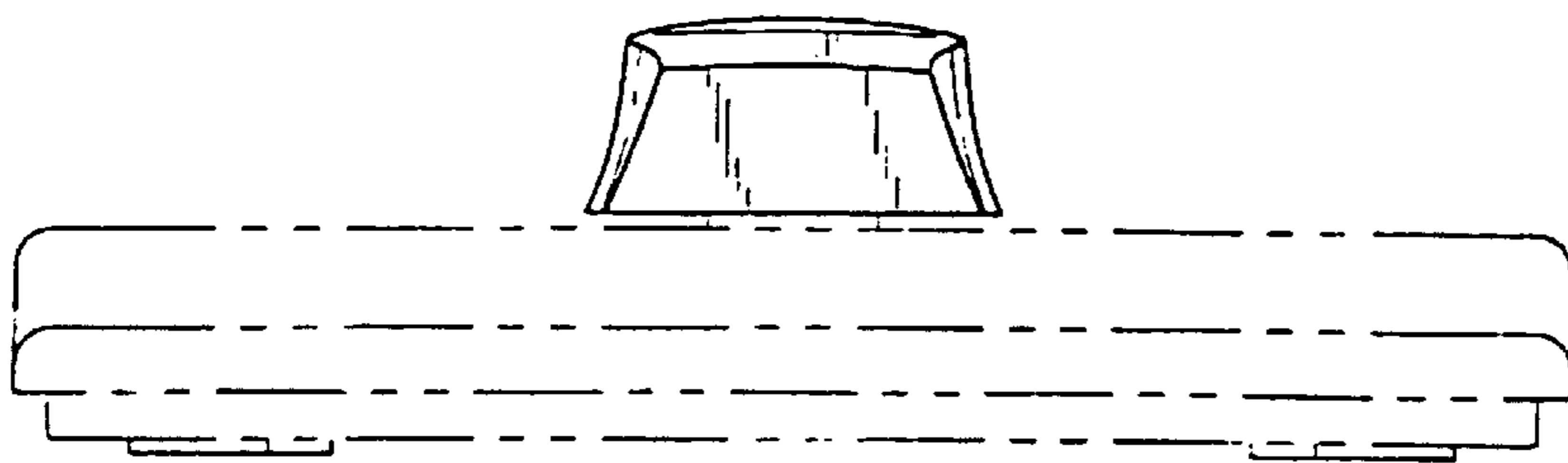


FIG. 2

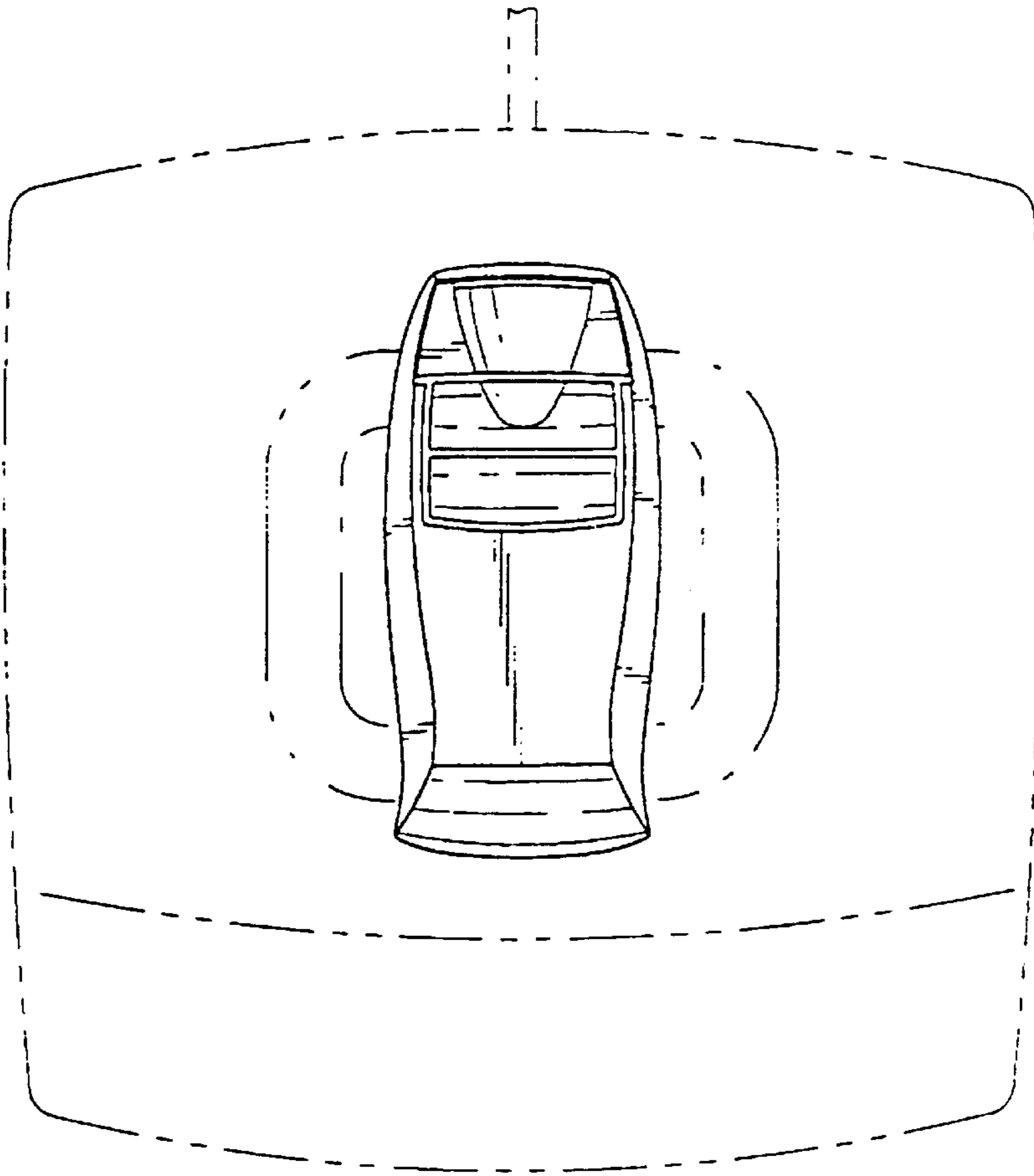


FIG. 3



FIG. 4

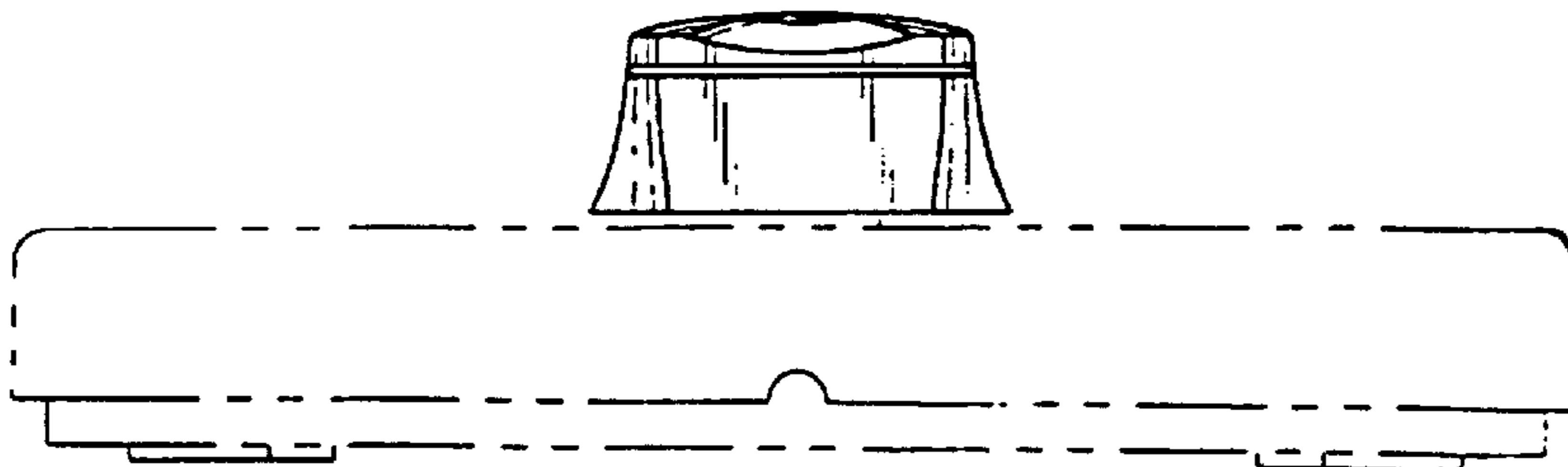


FIG. 5

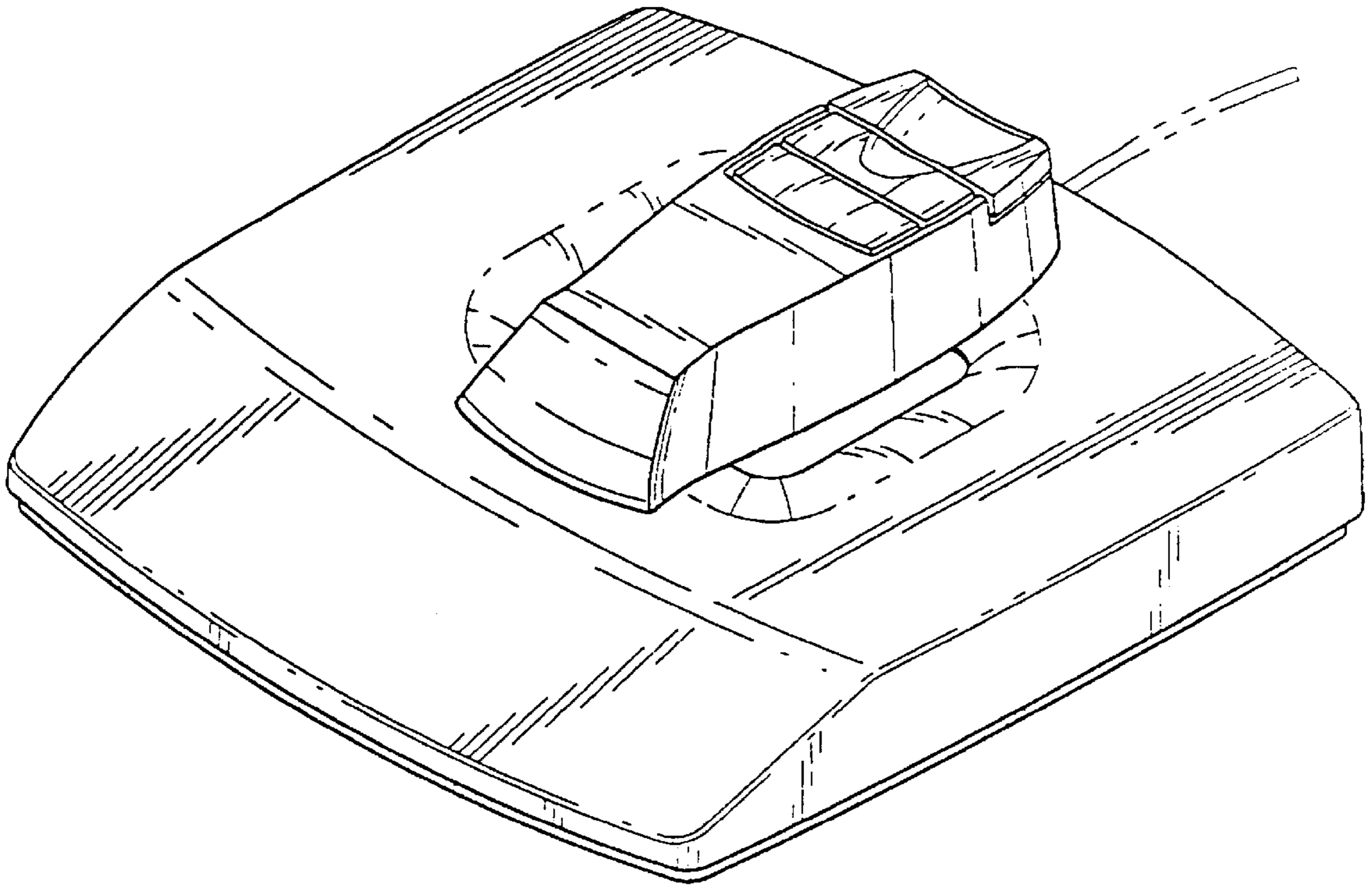


FIG. 6

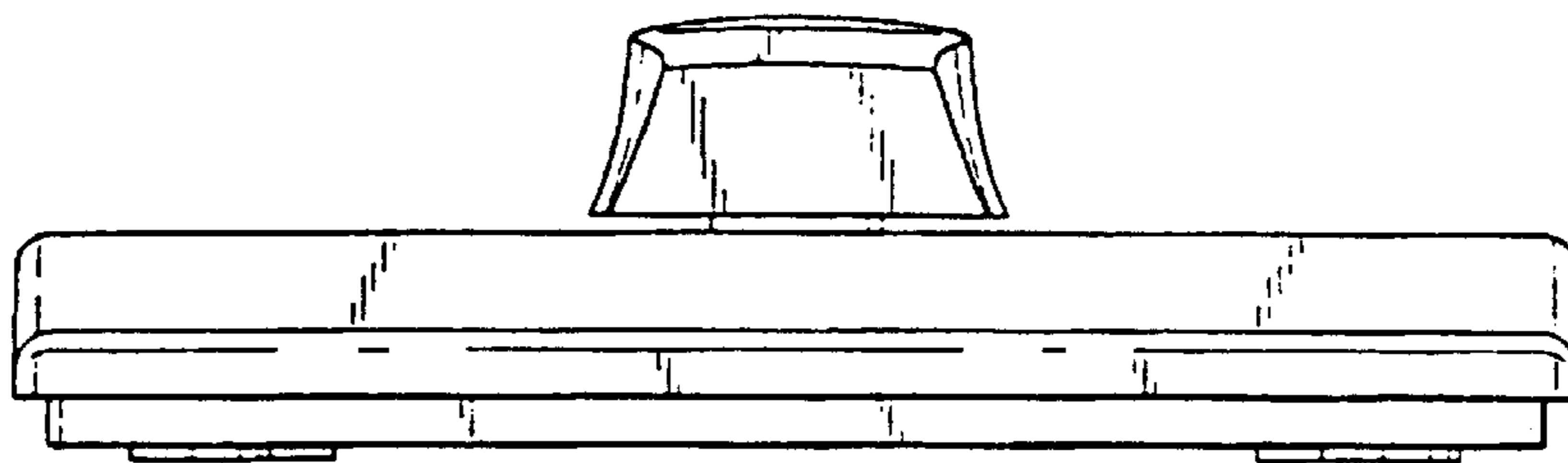


FIG. 7

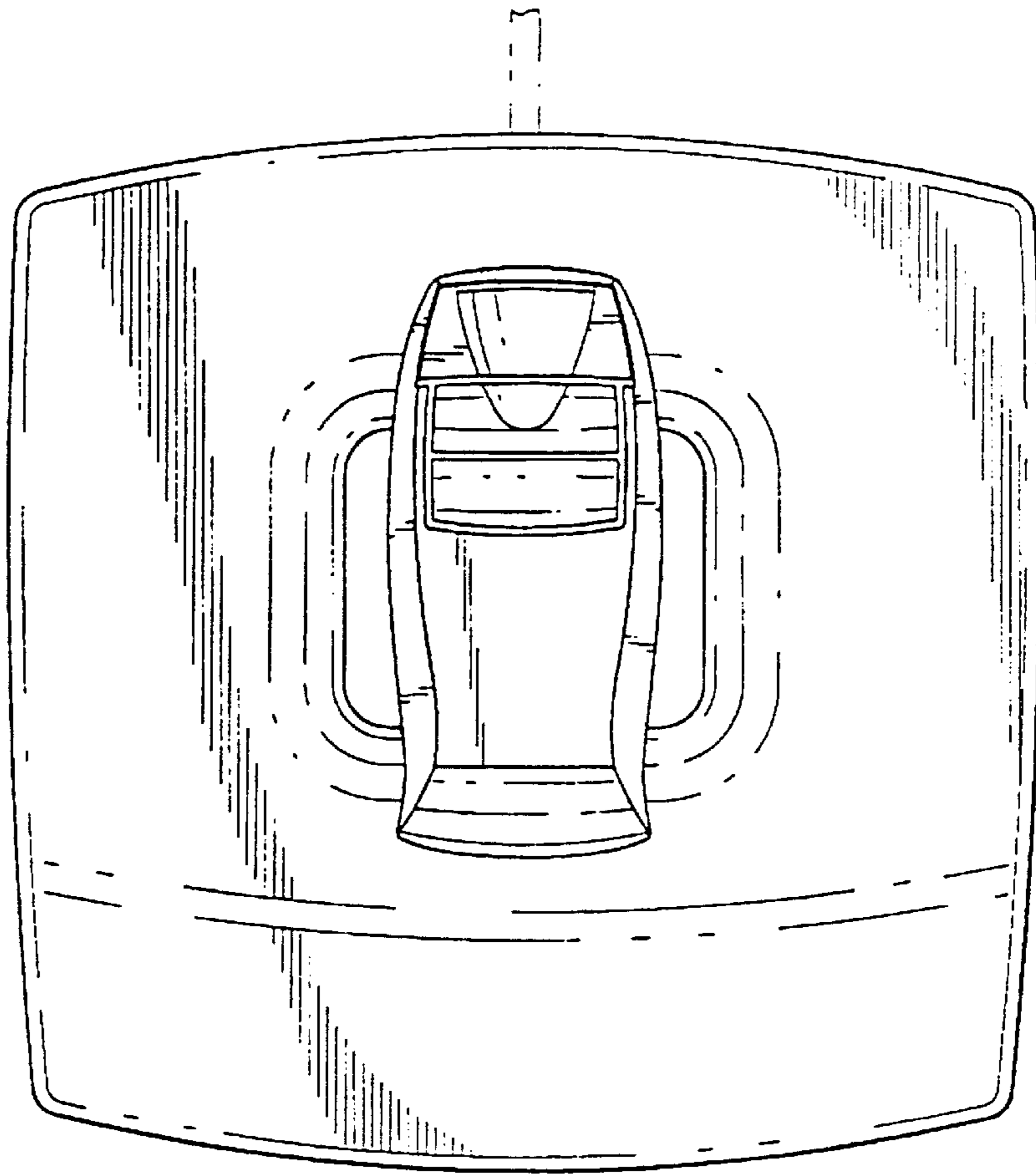


FIG. 8

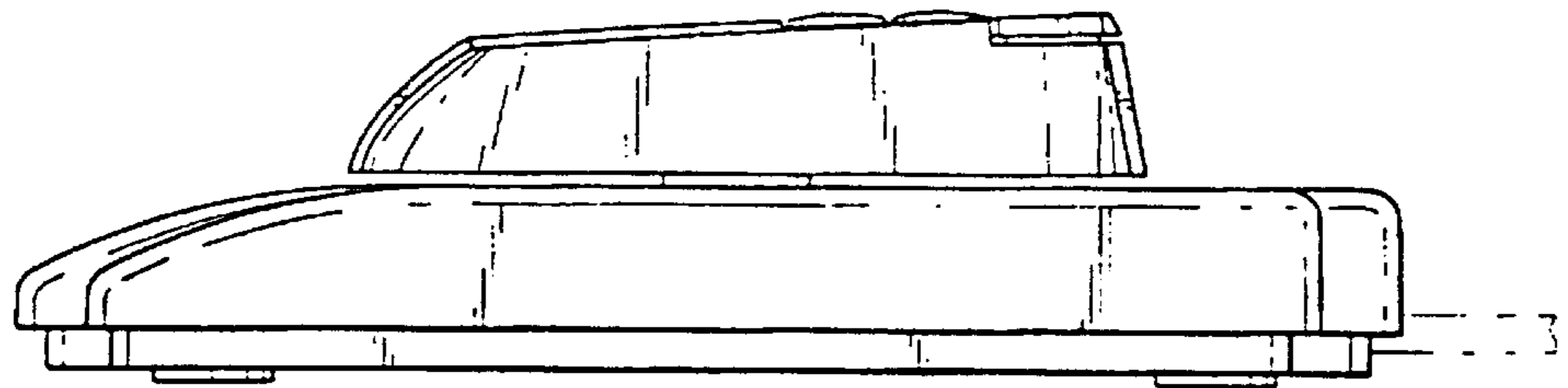


FIG. 9

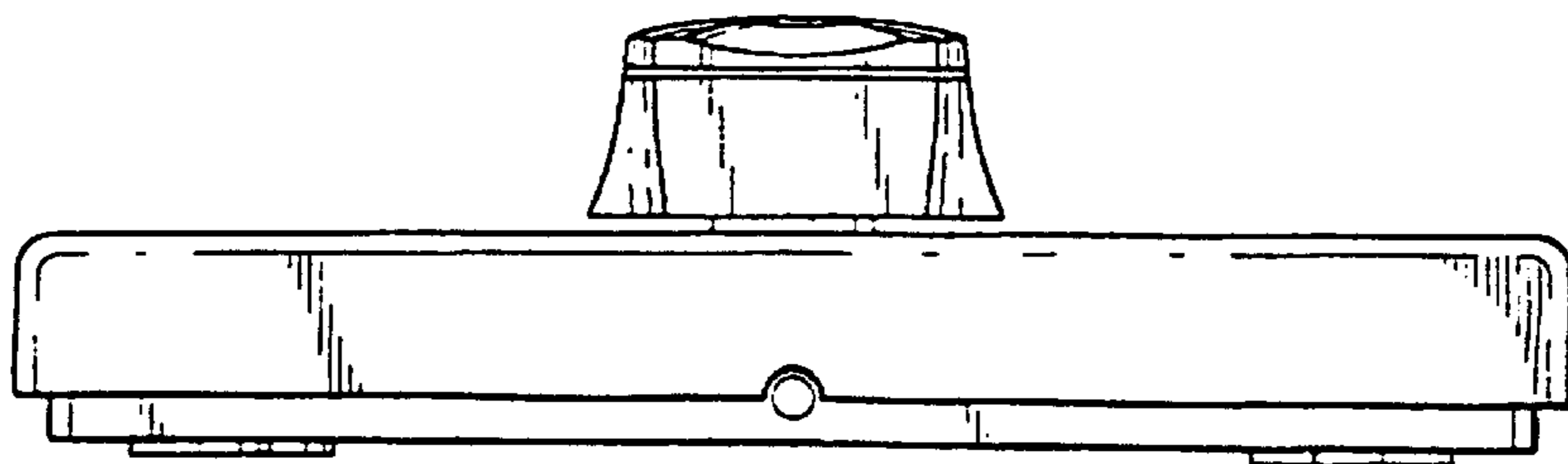


FIG. 10