



US00D414481S

United States Patent [19]
Wu

[11] **Patent Number: Des. 414,481**

[45] **Date of Patent: ** Sep. 28, 1999**

[54] **ELECTRONIC CARD**

[75] Inventor: **Kun-Tsan Wu**, Tu-Chen, Taiwan

[73] Assignee: **Hon Hai Precision Inc. Co., Ltd.**,
Taipei Hsien, Taiwan

[**] Term: **14 Years**

[21] Appl. No.: **29/086,977**

[22] Filed: **Apr. 23, 1998**

[30] **Foreign Application Priority Data**

Oct. 23, 1997 [TW] Taiwan 86309275

[51] **LOC (6) Cl.** **14-02**

[52] **U.S. Cl.** **D14/117; D14/114**

[58] **Field of Search** D14/100, 114,
D14/117, 121; D13/182, 103; 174/52.1;
361/737, 753; D21/48; 439/328

[56] **References Cited**

U.S. PATENT DOCUMENTS

D. 350,115 8/1994 Iftikar et al. D14/114

D. 350,951 9/1994 Tseng D14/121
D. 368,082 3/1996 Goto D14/114
D. 375,941 11/1996 Kerklaan D13/182
5,659,459 8/1997 Wakabayashi et al. 361/753

Primary Examiner—Freda Nunn

[57] **CLAIM**

The ornamental design for an electronic card, as shown.

DESCRIPTION

FIG. 1 is a perspective view of an electronic card showing my new design;

FIG. 2 is a front elevational view thereof;

FIG. 3 is a rear elevational view thereof;

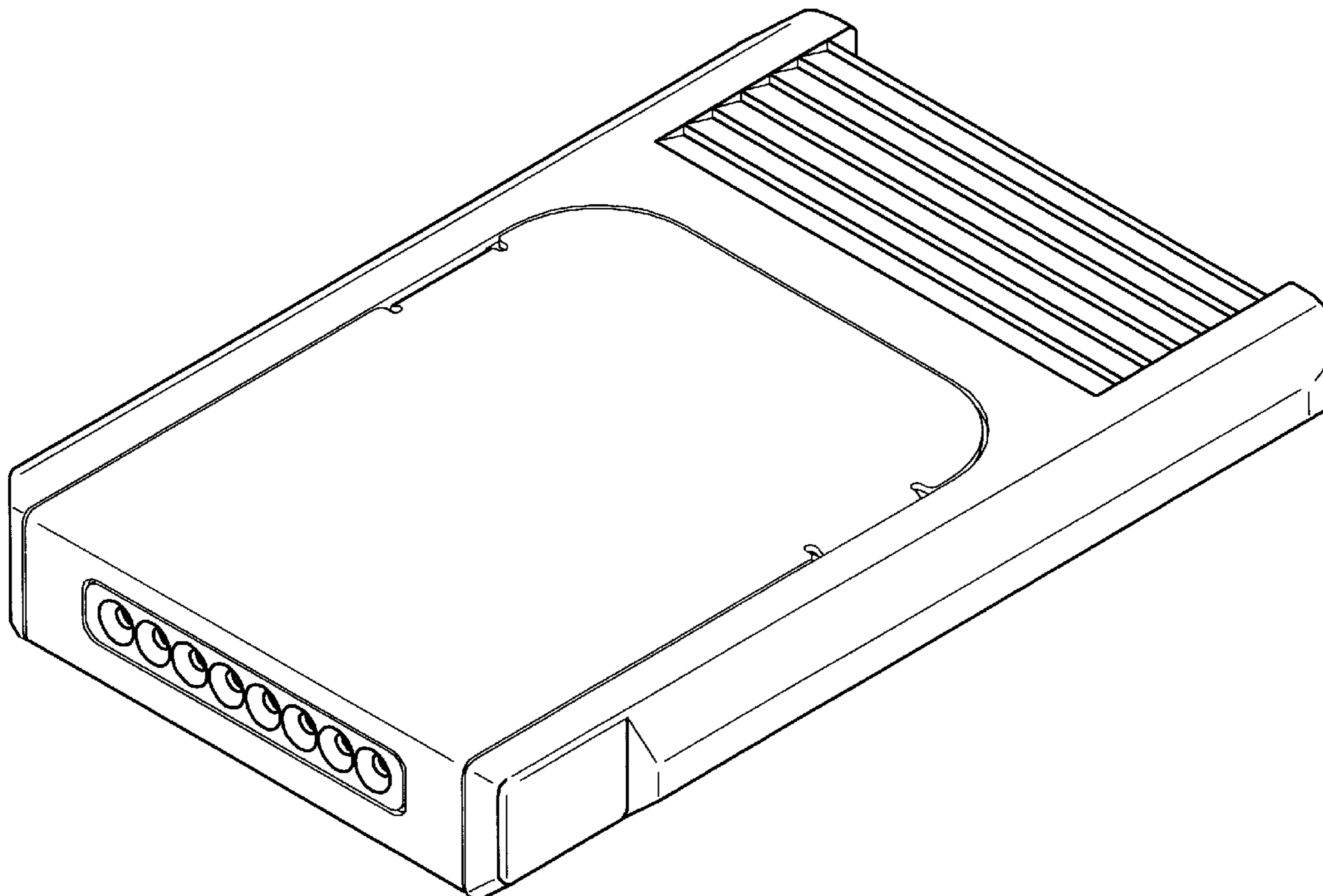
FIG. 4 is a left side elevational view thereof;

FIG. 5 is a right side elevational view thereof;

FIG. 6 is a top plan view thereof; and,

FIG. 7 is a bottom plan view thereof.

1 Claim, 7 Drawing Sheets



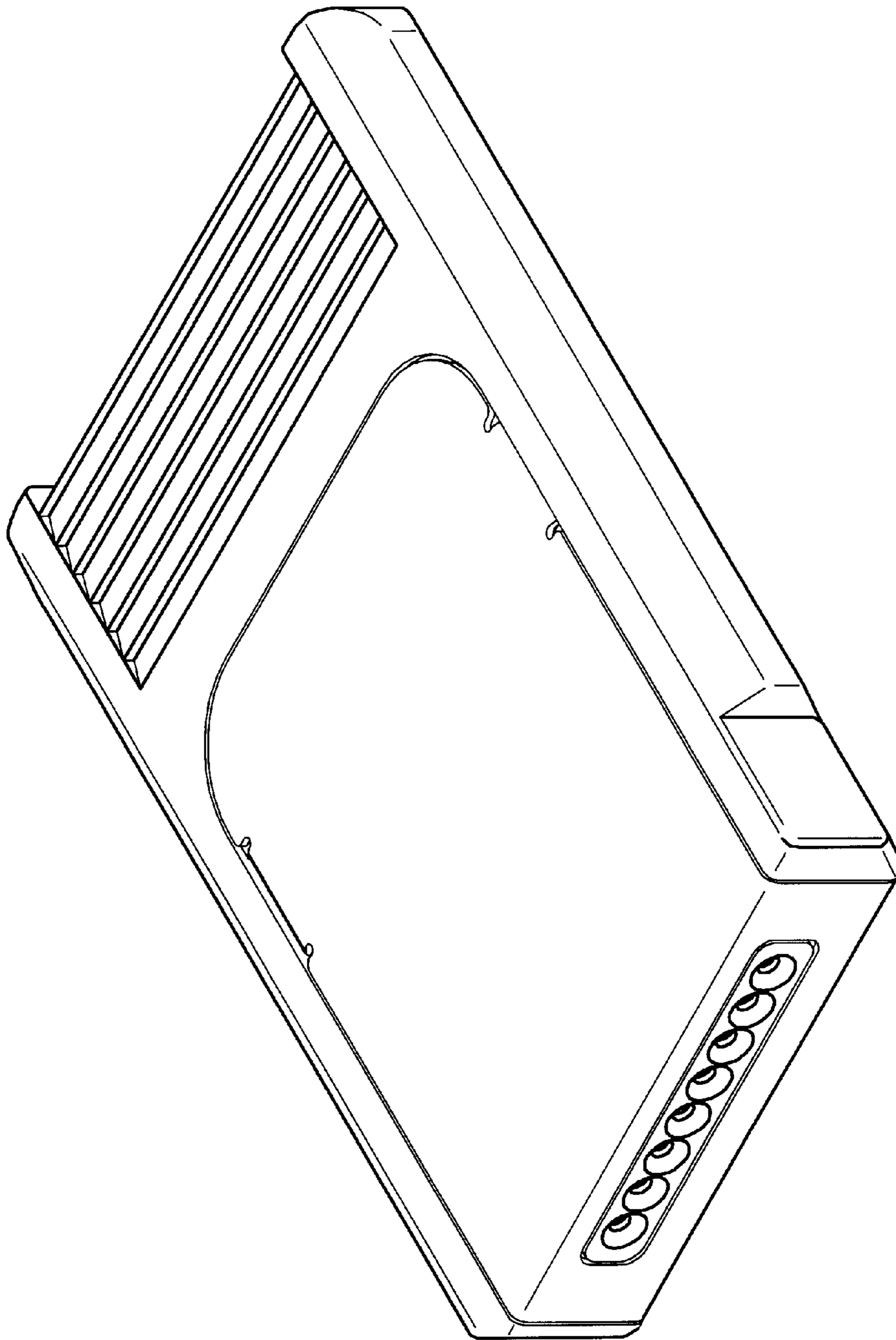


FIG.1

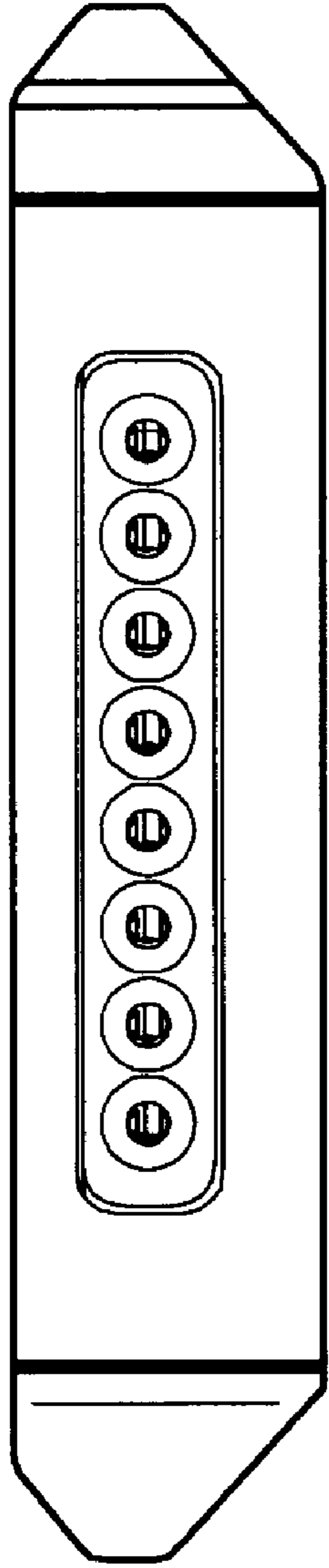


FIG. 2

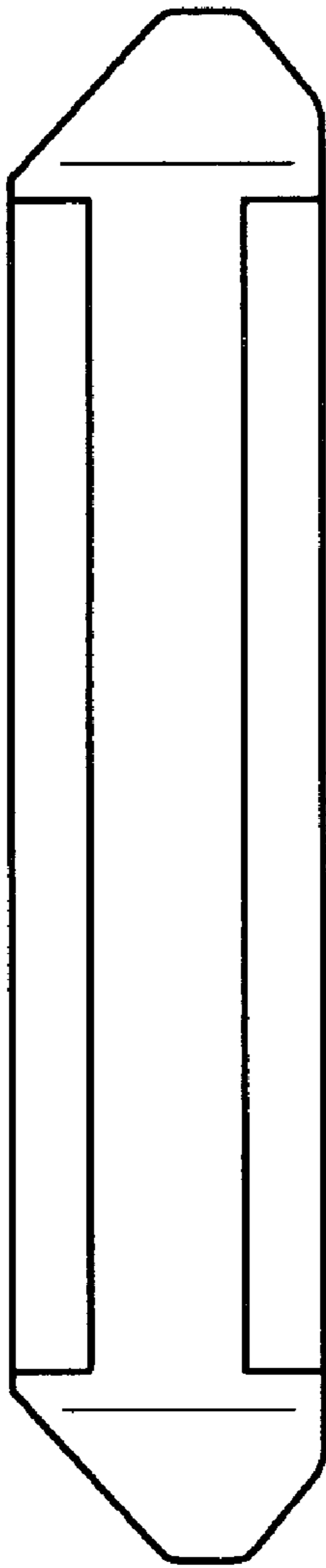


FIG. 3

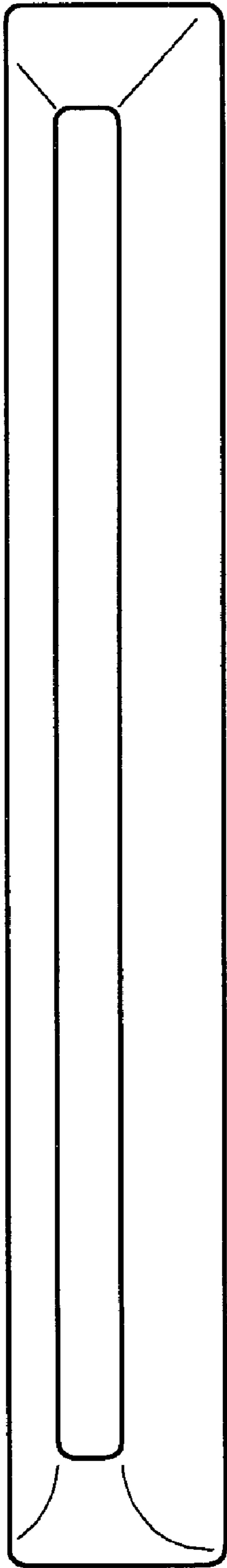


FIG. 4

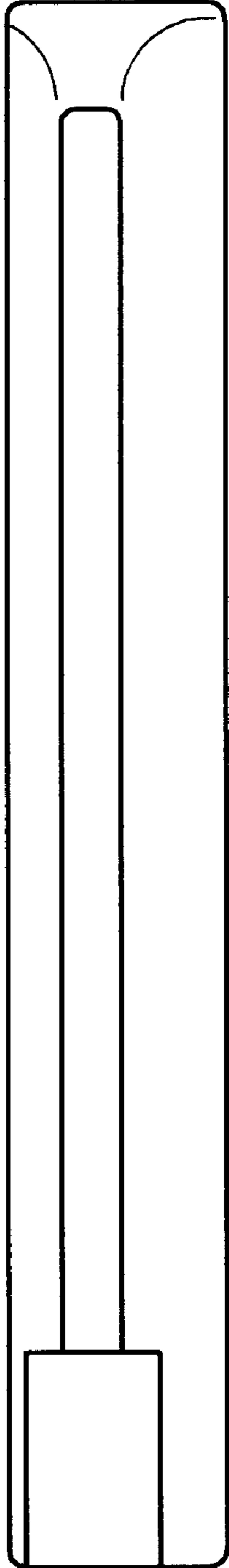


FIG. 5

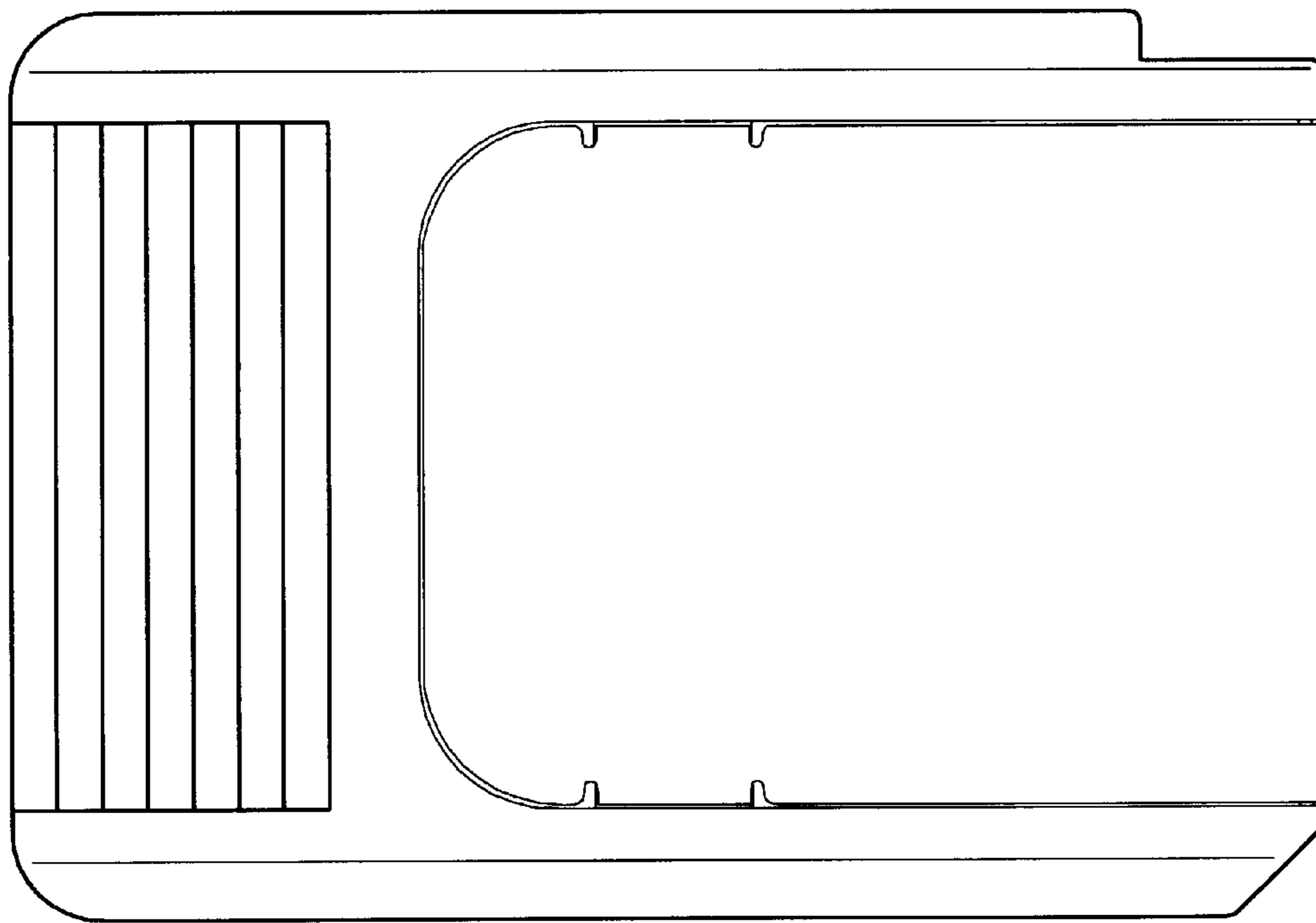


FIG.6

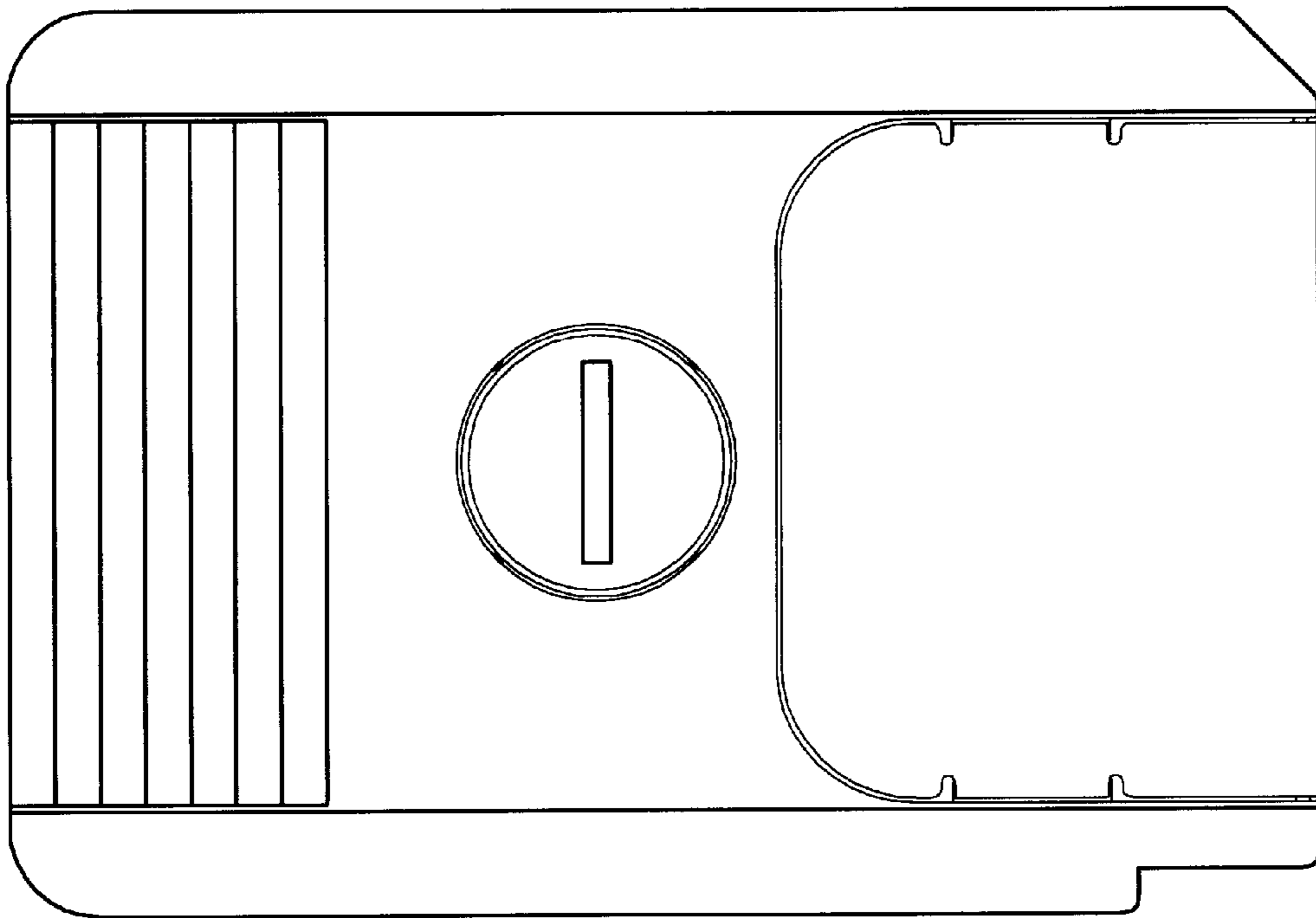


FIG. 7