



US00D414475S

# United States Patent [19] Paek

[11] **Patent Number: Des. 414,475**

[45] **Date of Patent: \*\* Sep. 28, 1999**

[54] **MONITOR**

D. 377,483 1/1997 Takami et al. .... D14/113  
D. 390,545 2/1998 Chang ..... D14/113

[75] Inventor: **Woon San Paek**, Seoul, Rep. of Korea

[73] Assignee: **LG Electronics Inc.**, Seoul, Rep. of Korea

[\*\*] Term: **14 Years**

*Primary Examiner*—Freda Nunn

[21] Appl. No.: **29/085,943**

### [57] CLAIM

The ornamental design for a monitor, as shown and described.

[22] Filed: **Apr. 2, 1998**

### DESCRIPTION

### [30] Foreign Application Priority Data

Oct. 2, 1997 [KR] Rep. of Korea ..... 97-20818

FIG. 1 is a perspective view of the monitor showing the new design;

[51] **LOC (6) Cl.** ..... **14-02**

FIG. 2 is a front view thereof;

[52] **U.S. Cl.** ..... **D14/113**

FIG. 3 is a rear elevational view thereof;

[58] **Field of Search** ..... D14/100, 101,  
D14/106, 113, 124-129; 248/918-924;  
341/12; 345/104, 133, 156, 168, 87, 173,  
901-905; 348/180, 184, 325, 739

FIG. 4 is a top plan view thereof;

FIG. 5 is a bottom plan view thereof;

FIG. 6 is a left-side elevational view thereof; and,

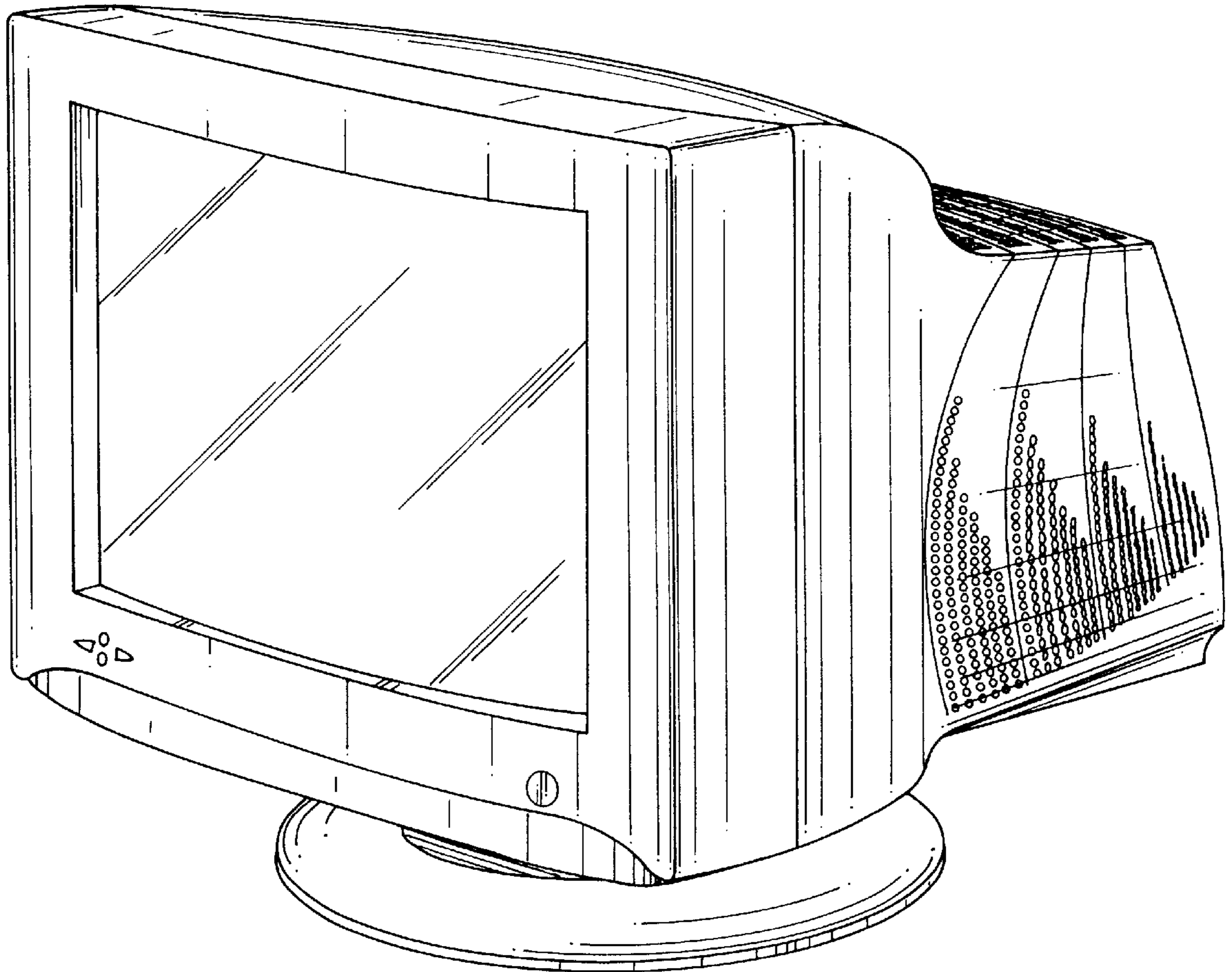
FIG. 7 is a right-side elevational view thereof.

### [56] References Cited

#### U.S. PATENT DOCUMENTS

D. 366,473 1/1996 Behar ..... D14/113

**1 Claim, 4 Drawing Sheets**



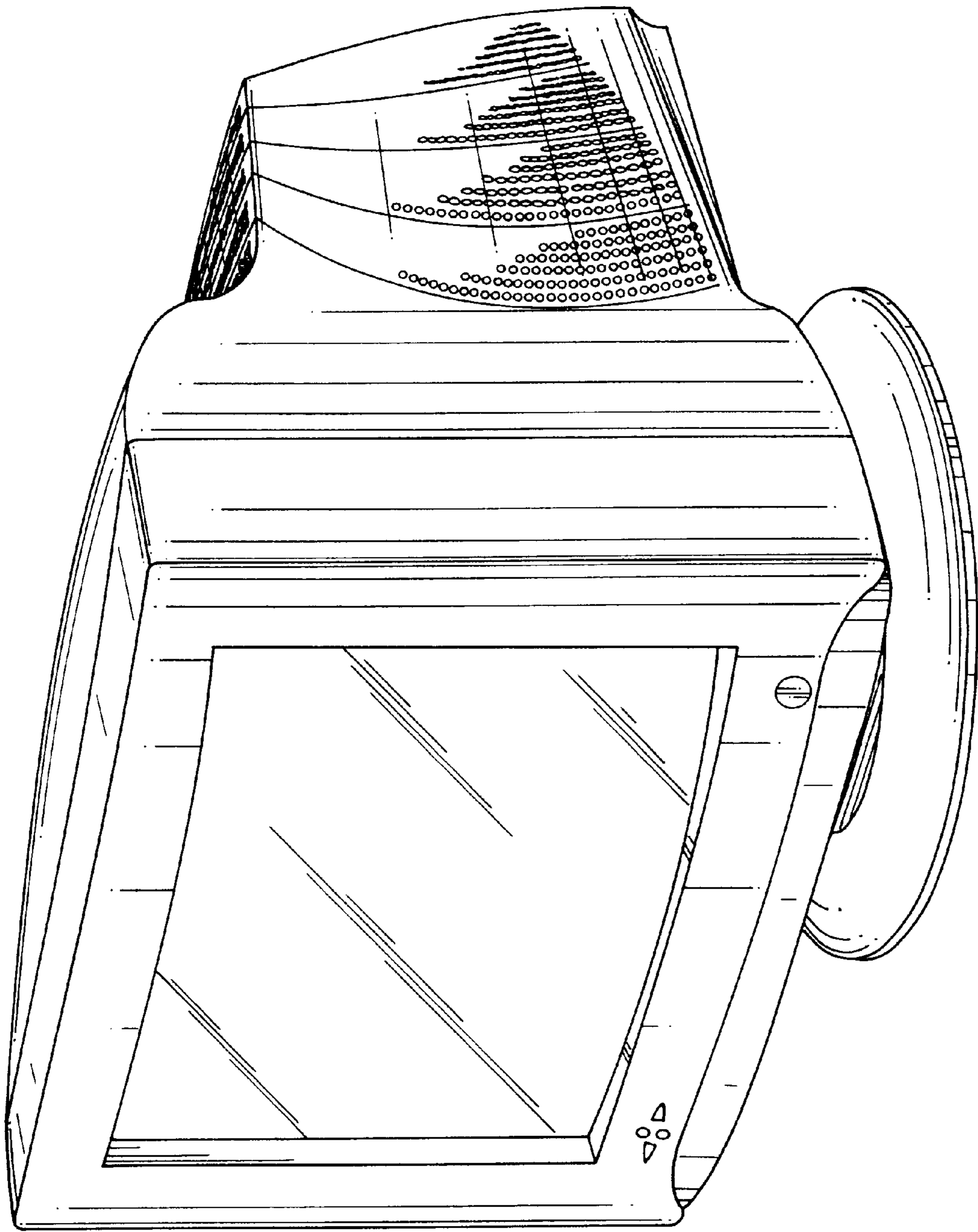


FIG. 1

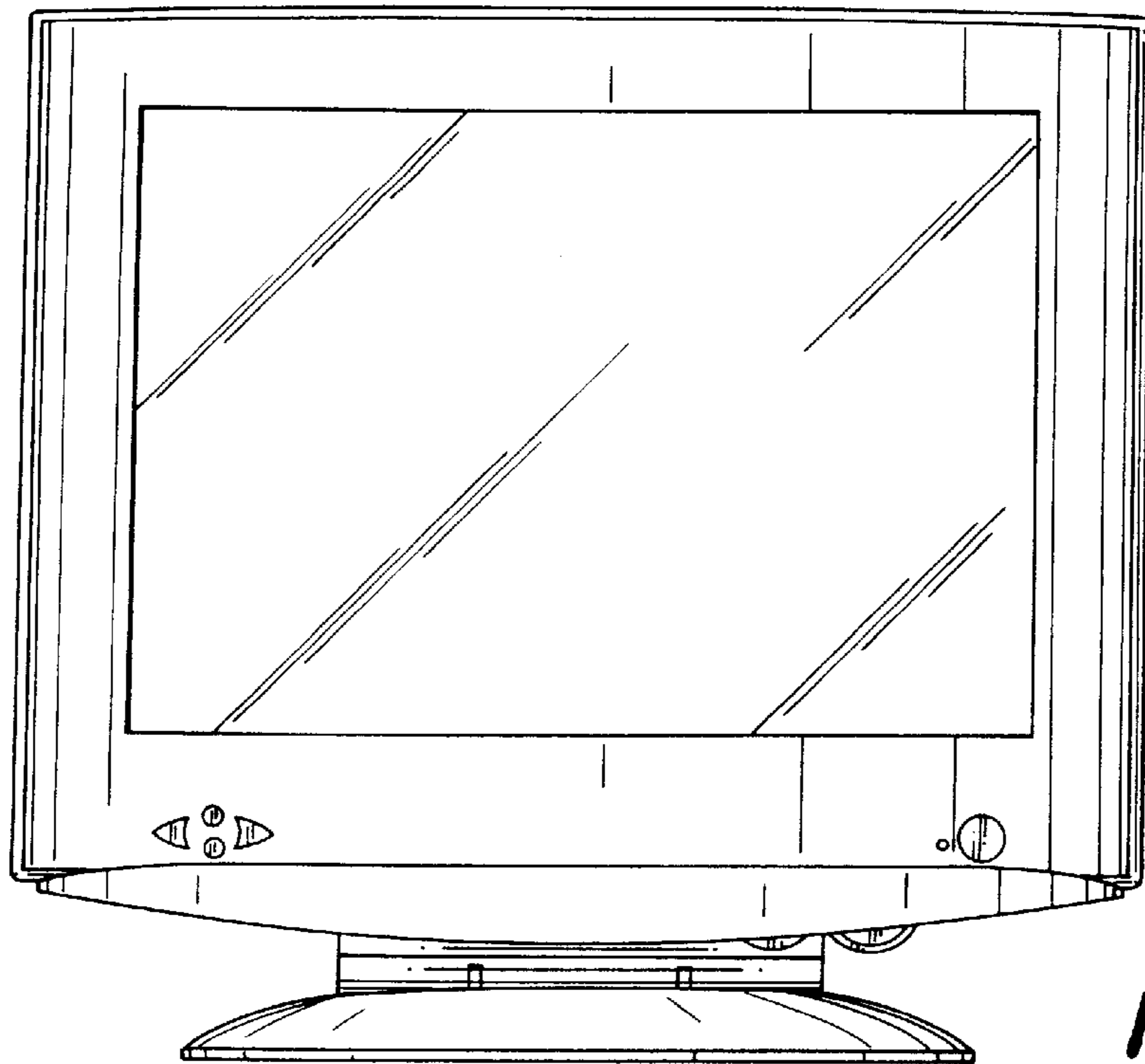


FIG. 2

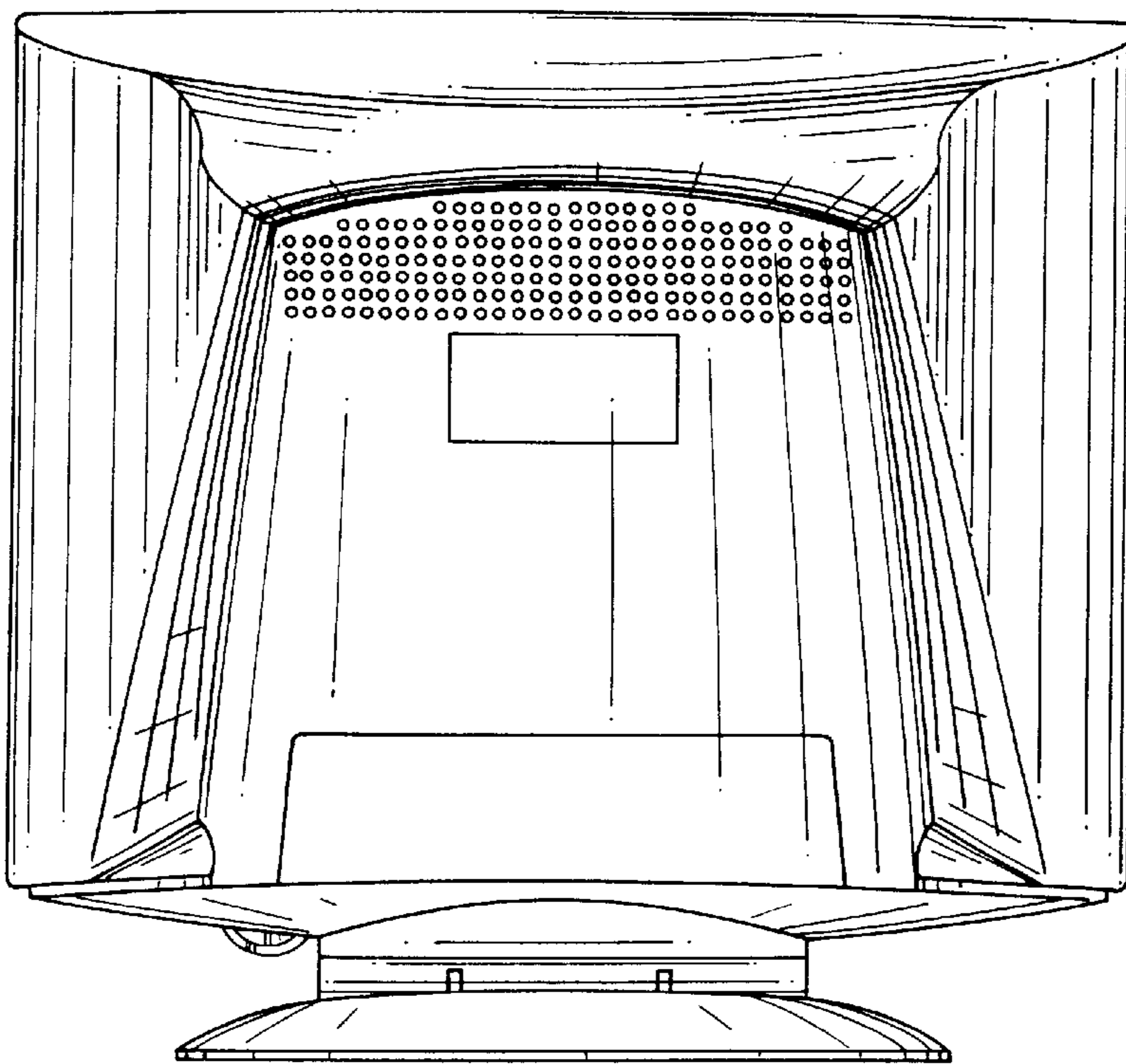


FIG. 3

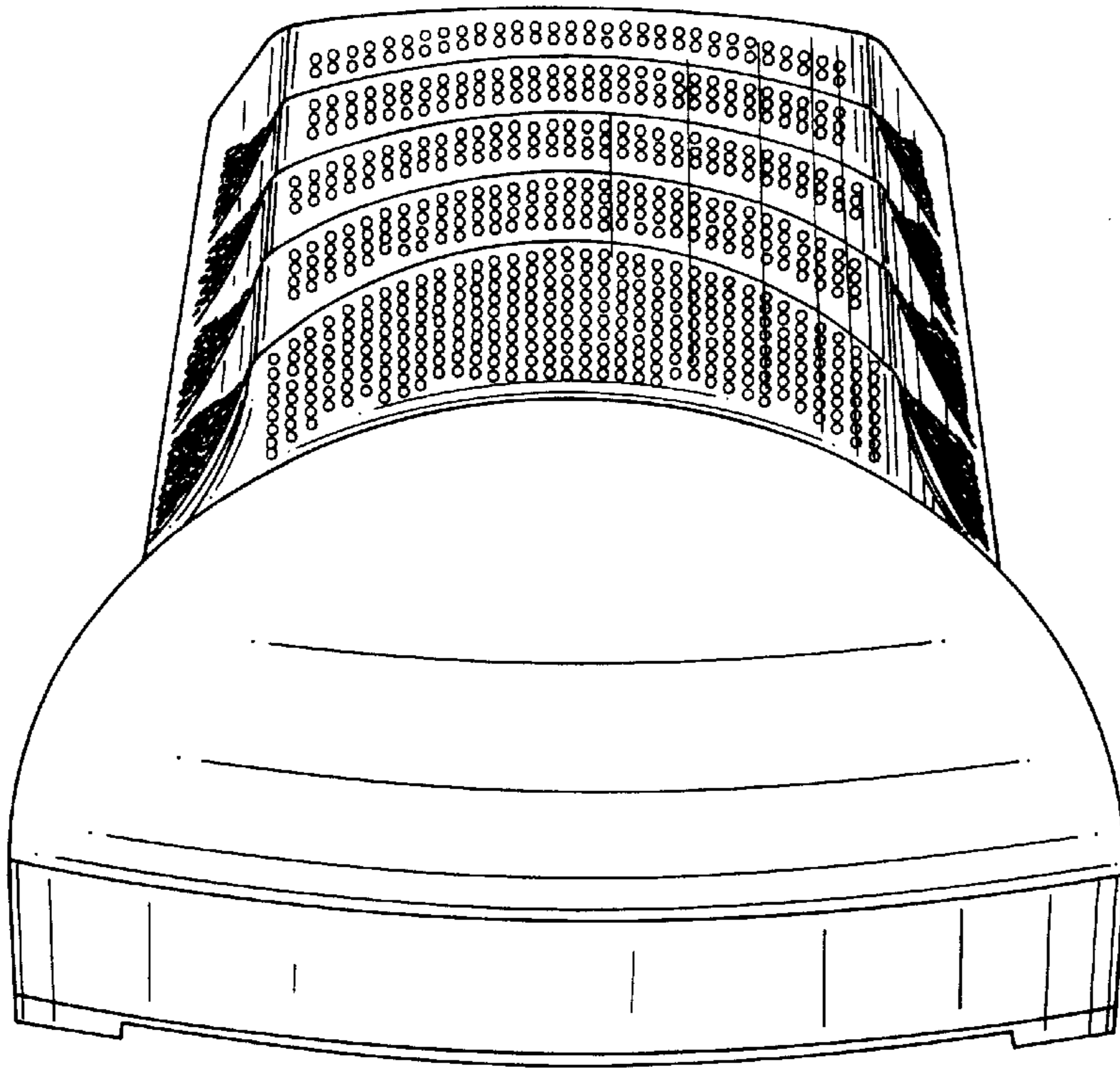


FIG. 4

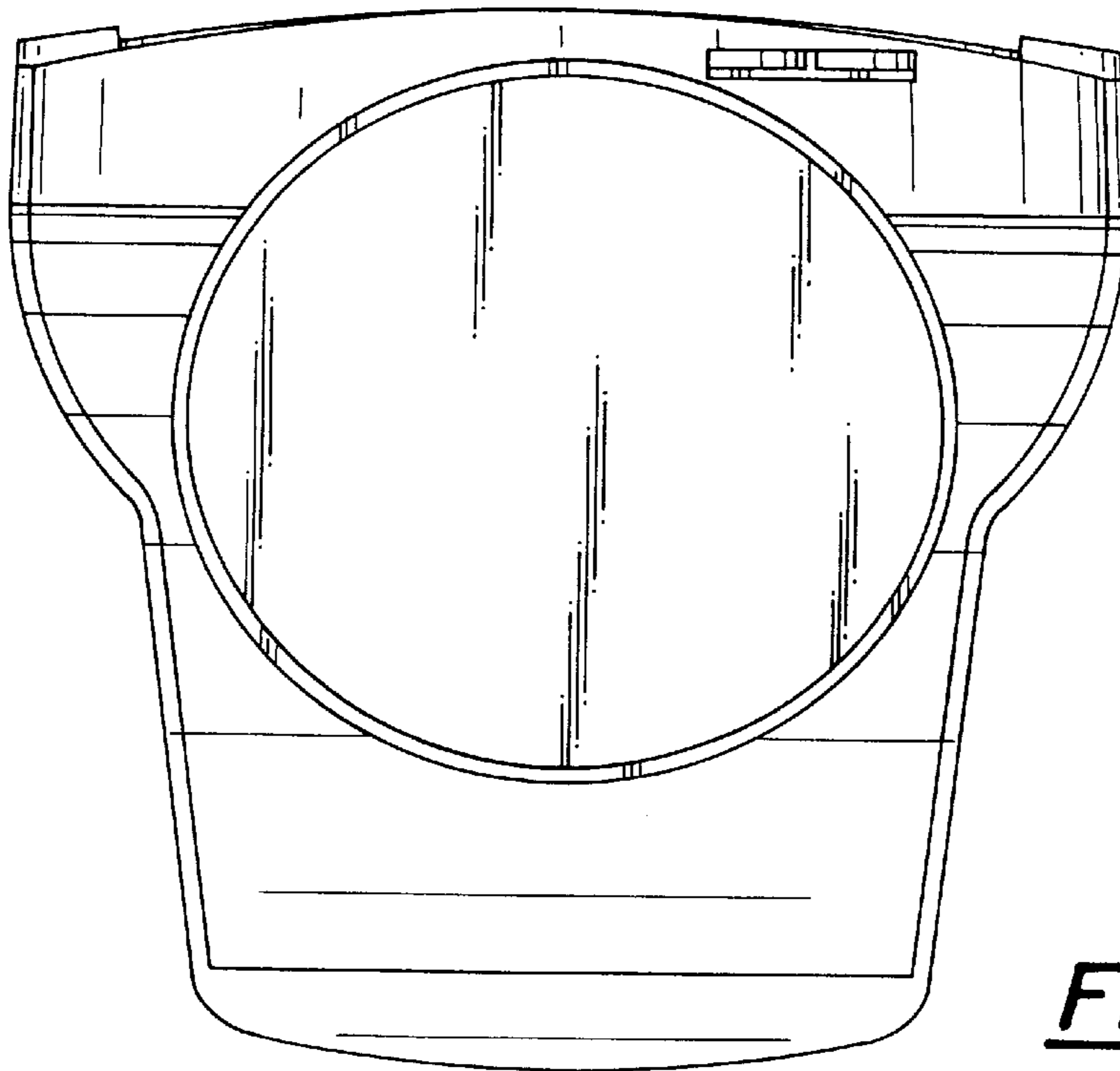


FIG. 5



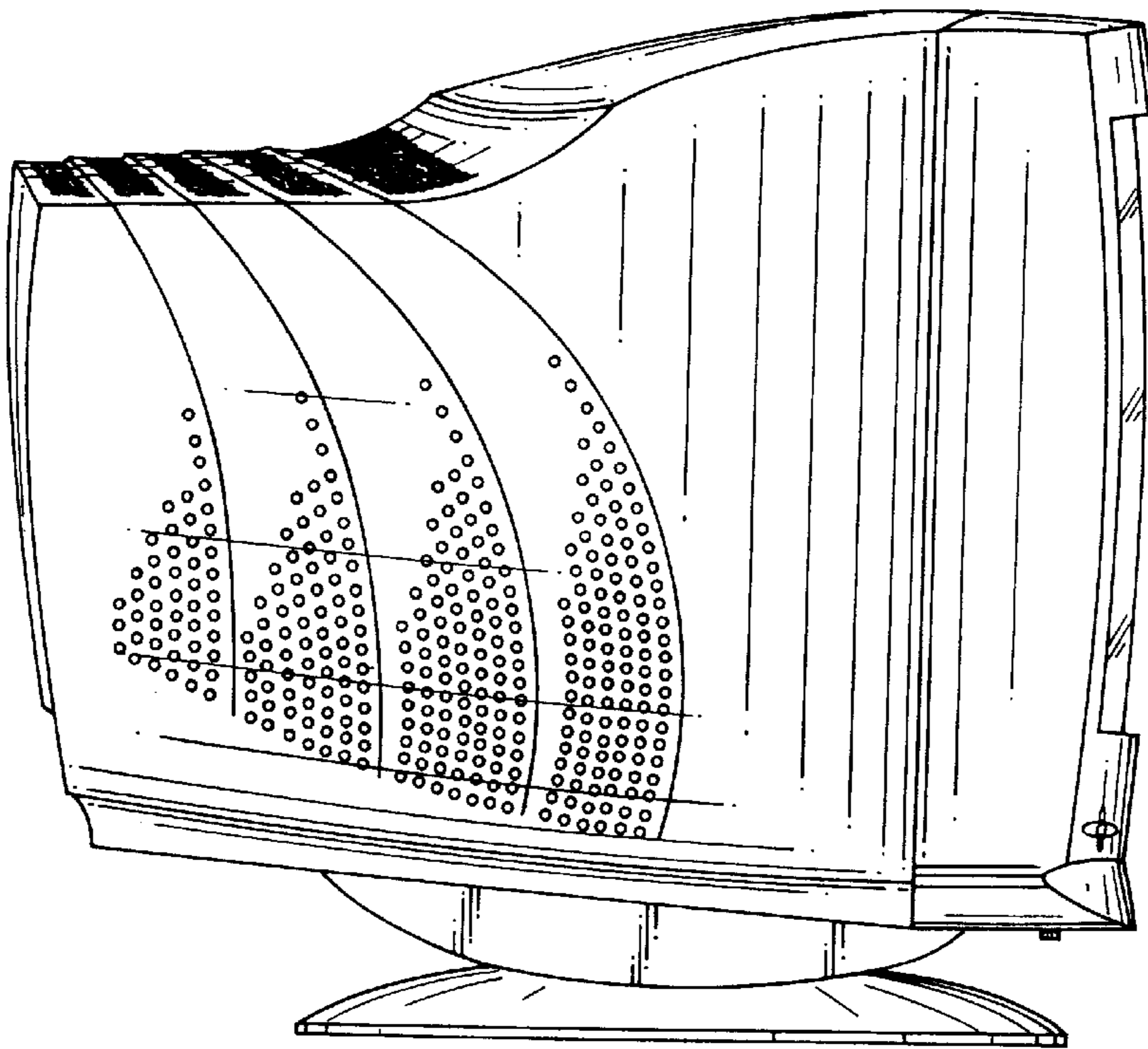


FIG. 6

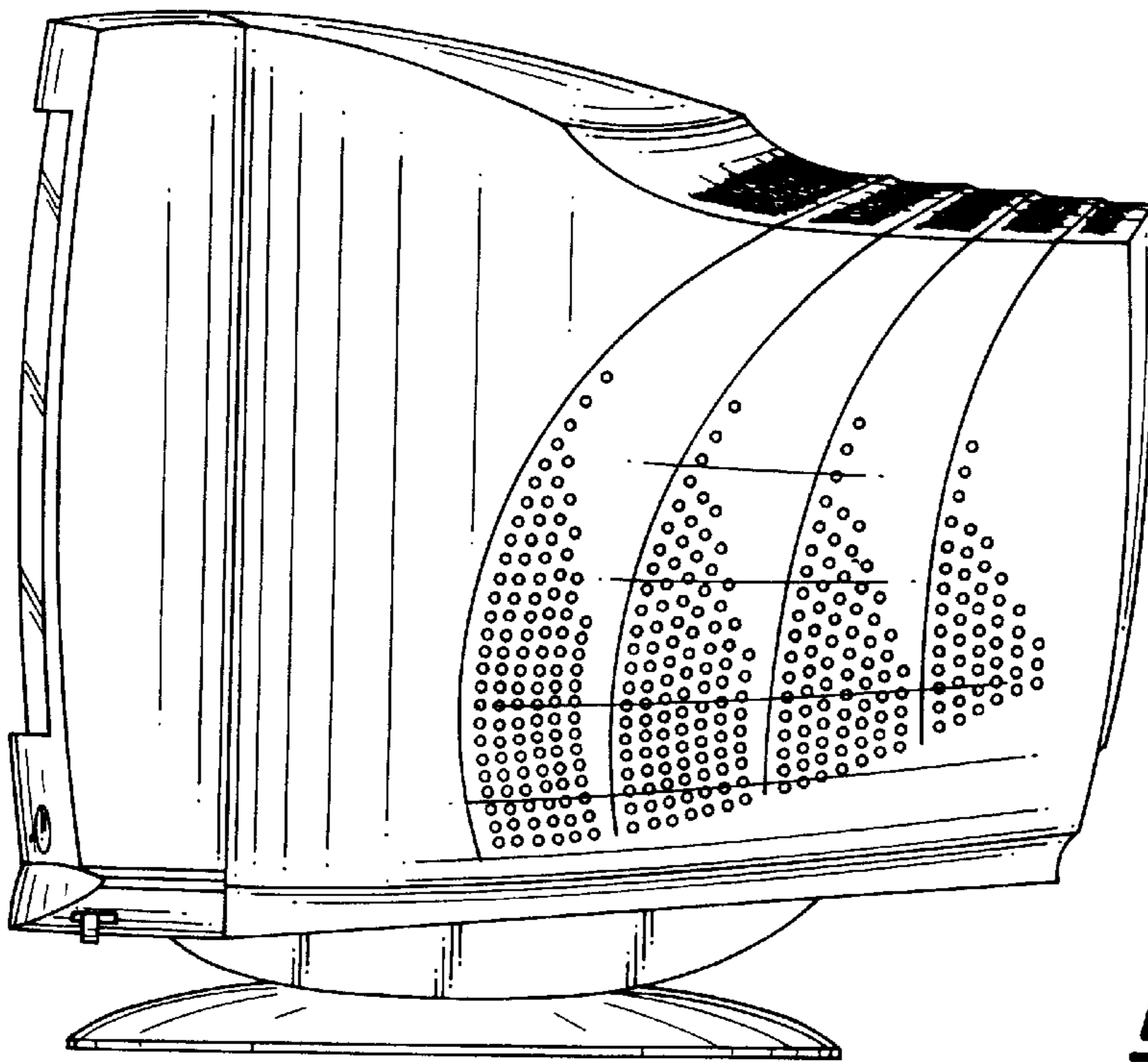


FIG. 7