



US00D414467S

United States Patent [19]

Aizawa et al.

[11] Patent Number: **Des. 414,467**

[45] Date of Patent: **** Sep. 28, 1999**

[54] **DOUBLE JACK MALE TYPE CONNECTOR**

[75] Inventors: **Hidenori Aizawa; Yuji Hirai**, both of Tokyo, Japan

[73] Assignee: **Honda Tsushin Kogyo Co., Ltd.**, Tokyo, Japan

[**] Term: **14 Years**

[21] Appl. No.: **29/095,424**

[22] Filed: **Oct. 21, 1998**

[51] **LOC (6) Cl.** **13-03**

[52] **U.S. Cl.** **D13/147**

[58] **Field of Search** D13/146, 147; 439/78, 79, 540.1, 541.5, 607, 638, 650, 677

[56] **References Cited**

U.S. PATENT DOCUMENTS

D. 398,584 9/1998 Hirai et al. D13/147

5,085,590	2/1992	Galloway	439/78 X
5,267,876	12/1993	Rupert et al.	439/540.1
5,318,463	6/1994	Broschard, III et al.	439/540.1
5,733,143	3/1998	Ward et al.	439/541.5
5,823,822	10/1998	Tan et al.	439/541.5

Primary Examiner—Joel Sincavage
Attorney, Agent, or Firm—Leighton K. Chong

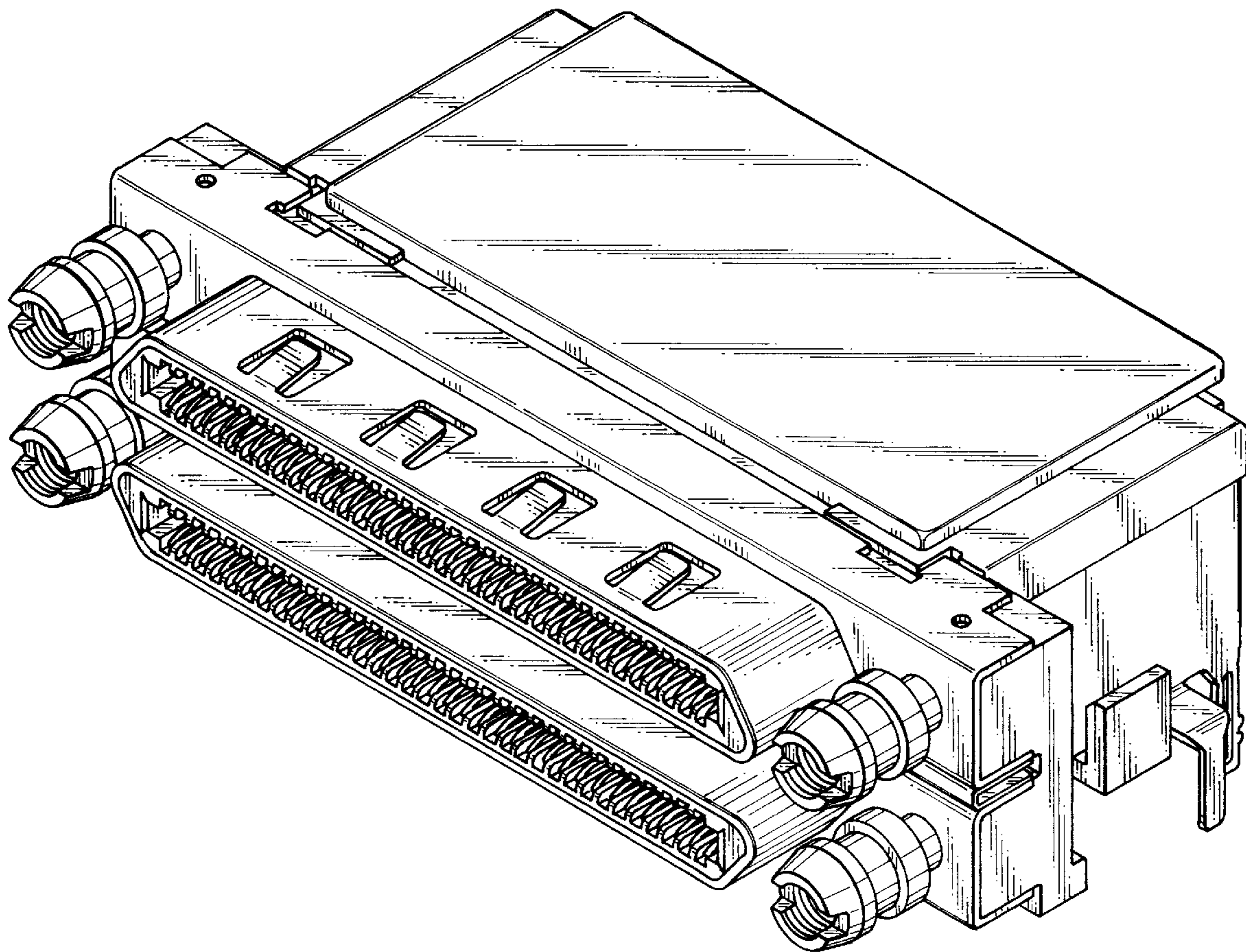
[57] **CLAIM**

The ornamental design for a double jack male type connector, as shown and described.

DESCRIPTION

FIG. 1 is a perspective front view of the new design of a double jack male type connector; FIG. 2 is a front view of the jack of FIG. 1; FIG. 3 is a rear view of the jack of FIG. 1; FIG. 4 is a left side view of the jack of FIG. 1; FIG. 5 is a right side view of the jack of FIG. 1; FIG. 6 is a plan view of the jack of FIG. 1; and, FIG. 7 is a bottom view of the jack of FIG. 1.

1 Claim, 6 Drawing Sheets



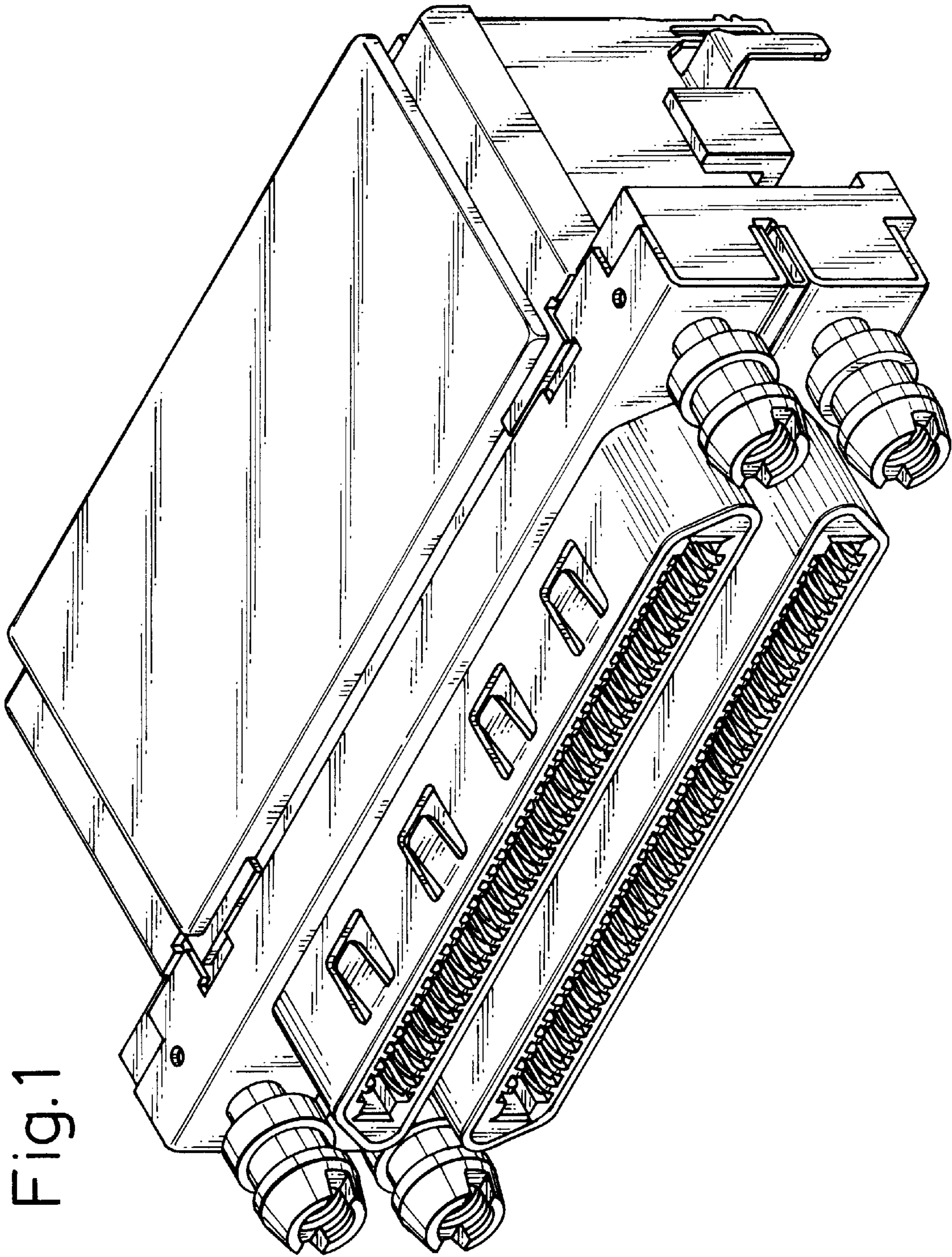


Fig.1

Fig. 2

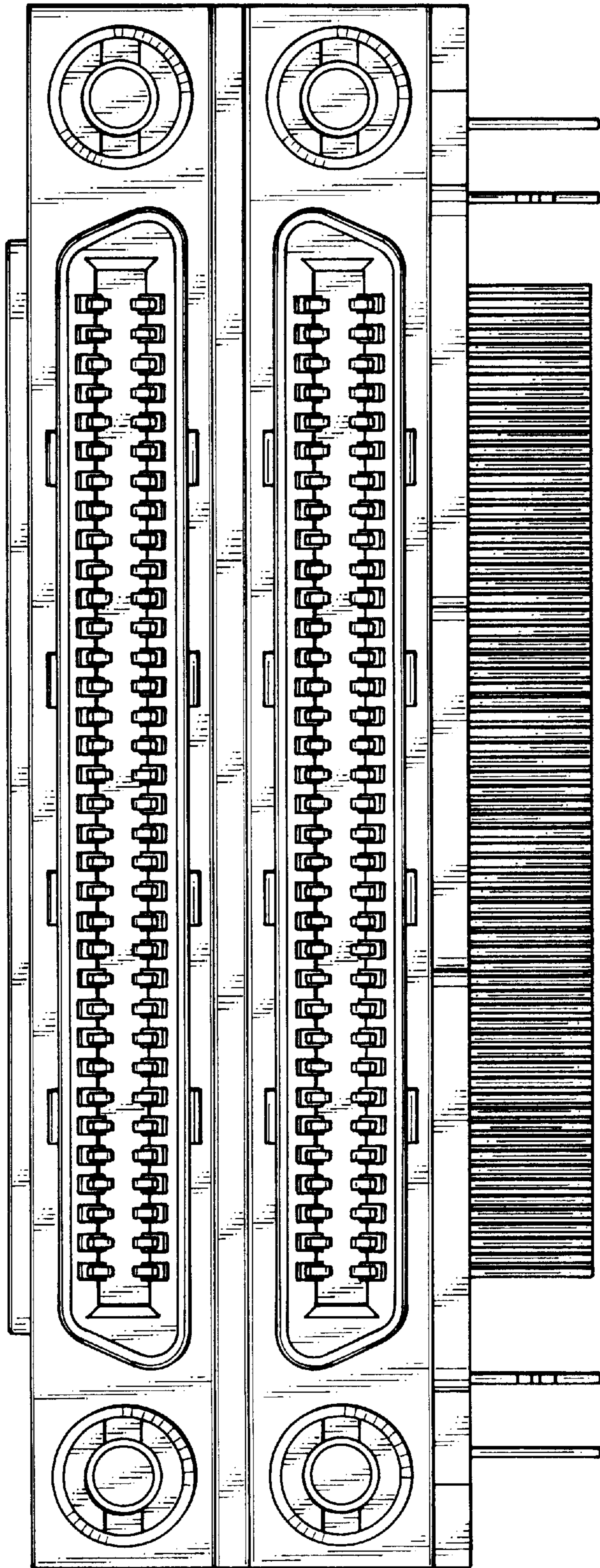


Fig. 3

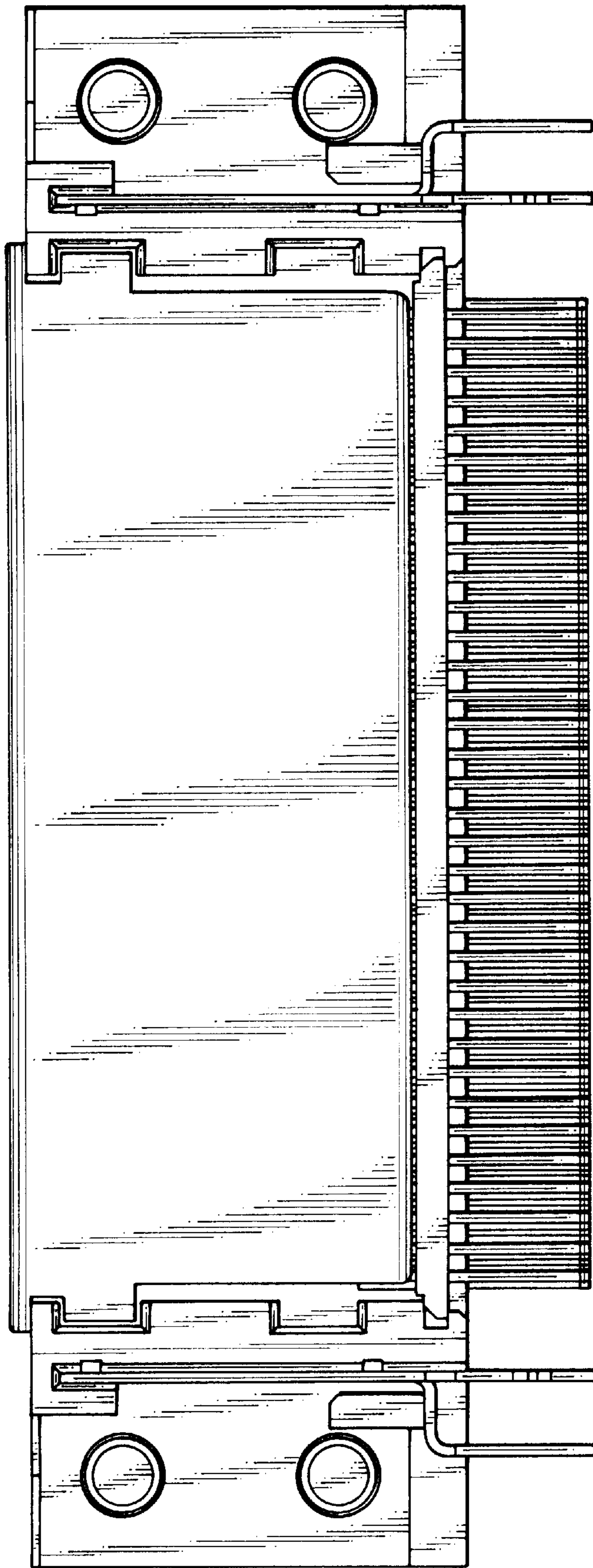


Fig. 4

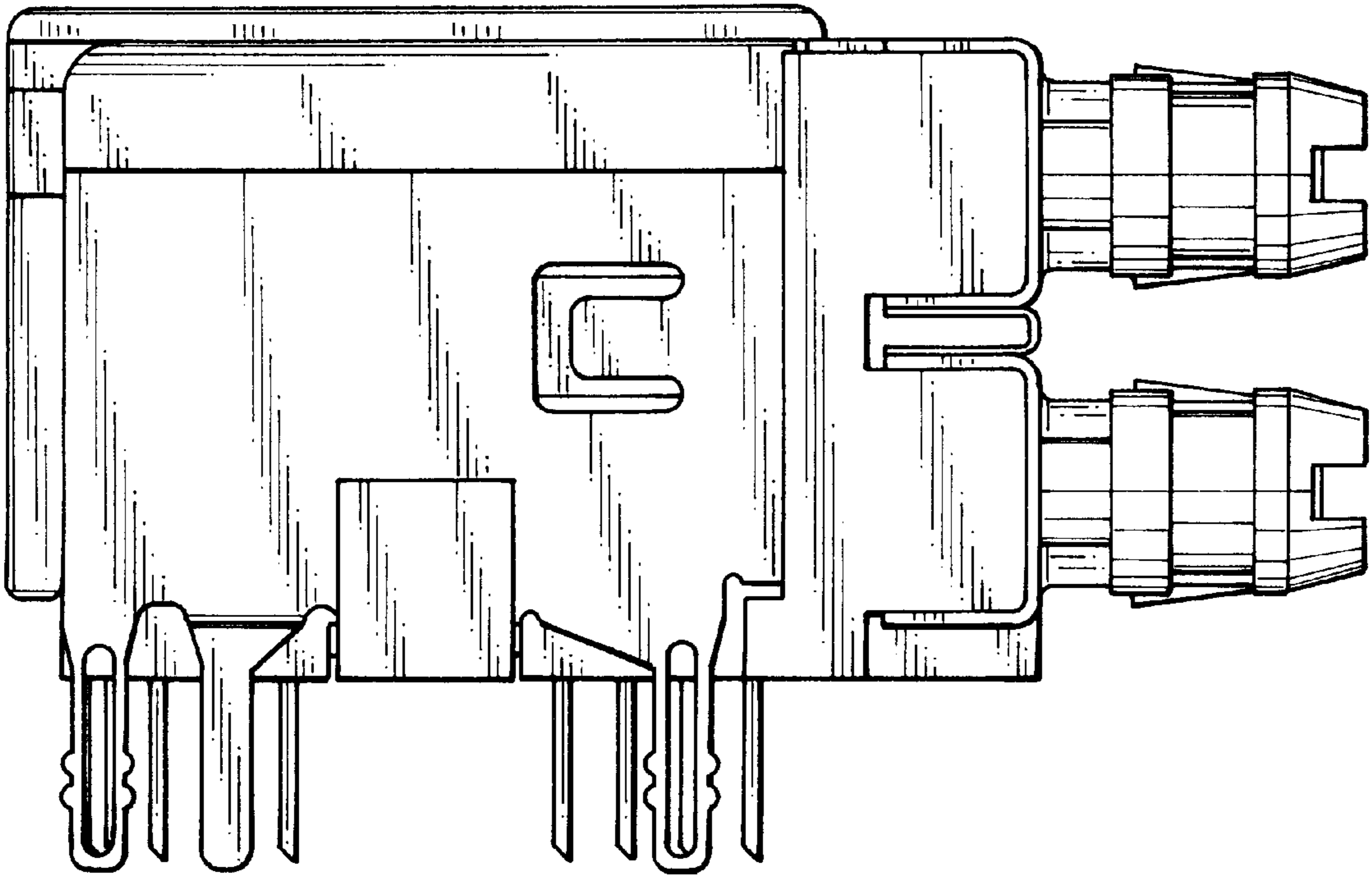


Fig. 5

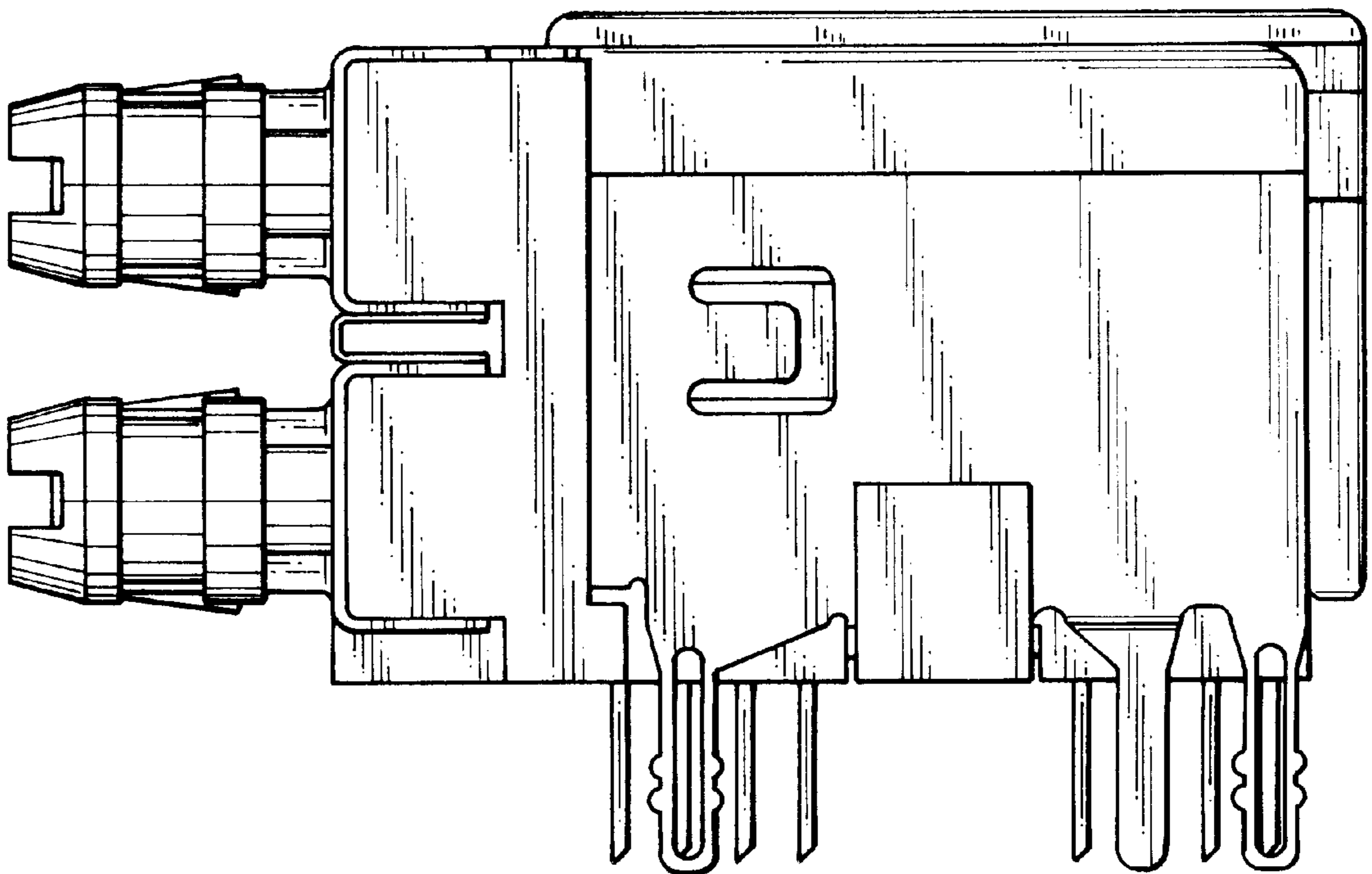


Fig. 6

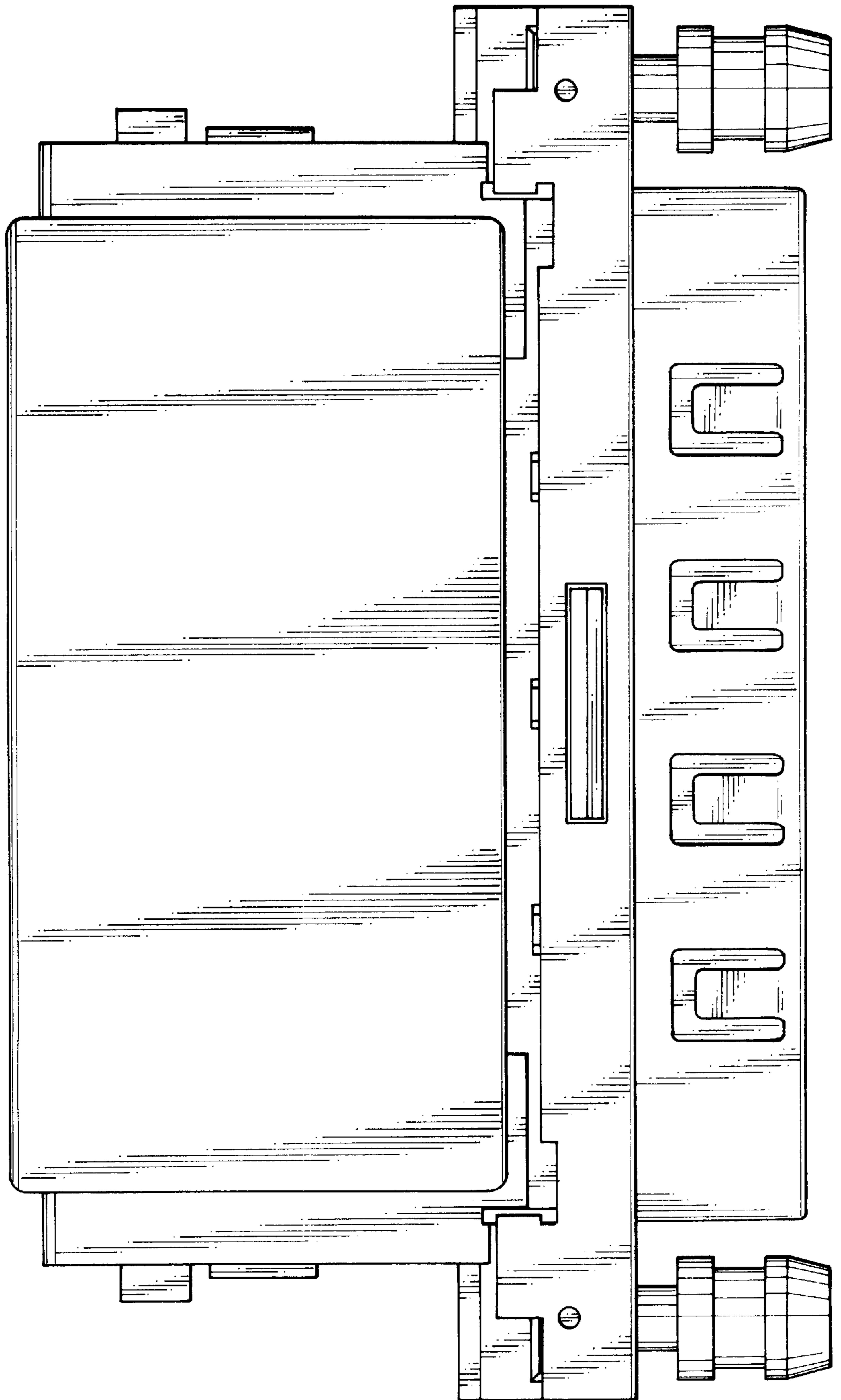


Fig. 7

