



US00D414466S

United States Patent [19]

Bradshaw et al.

[11] Patent Number: Des. 414,466

[45] Date of Patent: ** Sep. 28, 1999

[54] **TERMINAL BLOCK HOUSING**

[75] Inventors: **Janet A. Bradshaw**, Flower Mound, Tex.; **Daniel A. Hoeft**, Mundelein, Ill.; **Alan Schwimmer**, Northbrook, Ill.; **Daniel P. Sedlecky**, Naperville, Ill.

[73] Assignee: **Reltec Corporation**, Mayfield Heights, Ohio

[**] Term: **14 Years**

[21] Appl. No.: **29/087,573**

[22] Filed: **May 6, 1998**

[51] **LOC (6) Cl.** **13-03**

[52] **U.S. Cl.** **D13/147**

[58] **Field of Search** D13/147; D14/240, D14/256; 361/823; 439/709, 412, 413; 379/399, 418

[56] **References Cited**

U.S. PATENT DOCUMENTS

Re. 35,325	9/1996	Wass et al.	439/412
D. 315,566	3/1991	De Luca et al.	D14/256
D. 331,224	11/1992	Robertson	D13/147
D. 335,486	5/1993	Fatalo	D13/147
D. 335,487	5/1993	Volk et al.	D13/147
D. 346,789	5/1994	Sanchez et al.	D13/147
D. 353,365	12/1994	Marach	D13/147
D. 389,800	1/1998	Smith	D13/147
D. 396,475	7/1998	Bradshaw et al.	D14/256
4,159,159	6/1979	Kaucic et al.	339/198 H
4,652,070	3/1987	Suffi	339/97 P
4,652,071	3/1987	DeBortoli et al.	339/99 R
4,688,872	8/1987	Pohl	439/404
4,734,061	3/1988	Randall, Jr. et al.	439/709

4,795,363	1/1989	Scherer et al.	439/395
4,795,364	1/1989	Frantum, Jr. et al.	439/407
4,846,721	7/1989	Debruycker et al.	439/411
4,971,573	11/1990	Pinyan	439/412
4,993,966	2/1991	Levy	439/411
5,139,440	8/1992	Volk et al.	439/413
5,149,278	9/1992	Waas et al.	439/412
5,241,136	8/1993	Michaelis et al.	174/151
5,313,519	5/1994	Mickelson et al.	379/399
5,423,694	6/1995	Jensen et al.	439/417
5,551,889	9/1996	Kozel et al.	439/412 X

Primary Examiner—Joel Sincavage
Attorney, Agent, or Firm—Trexler, Bushnell, Giangiorgi & Blackstone, Ltd.

[57] **CLAIM**

The ornamental design for a terminal block housing, as shown and described.

DESCRIPTION

FIG. 1 is a front, left side, top perspective view of the terminal block housing showing the design, a portion of the housing, including a cable, is shown in dotted line, and forms no part of the present design;

FIG. 2 is a rear, right side, top perspective view thereof;

FIG. 3 is a front, right side, top perspective view thereof;

FIG. 4 is a rear, left side, top perspective view thereof;

FIG. 5 is a top plan view thereof, a bottom plan view thereof is not shown as the appearance of the bottom forms no part of the claimed design.

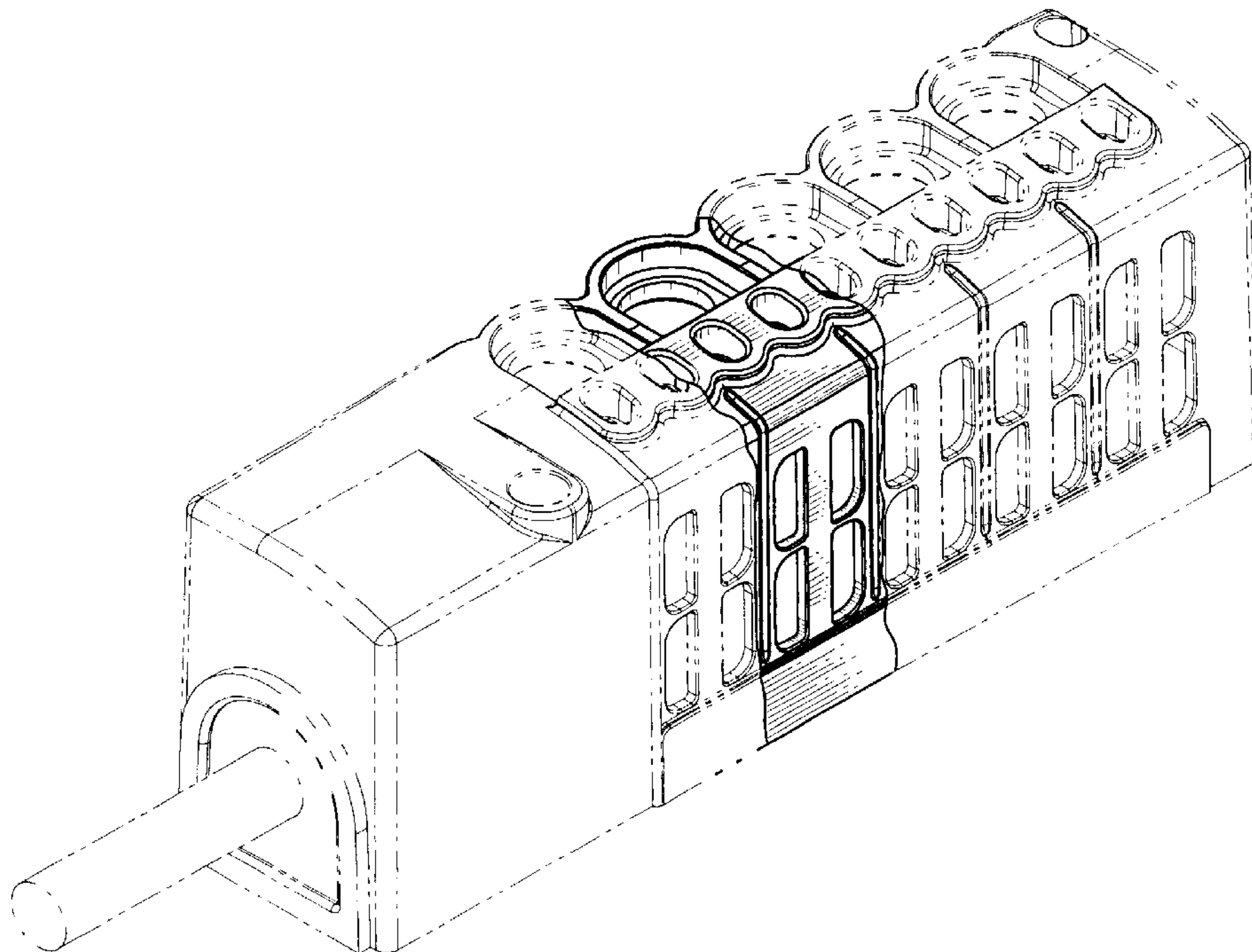
FIG. 6 is a front elevational view thereof;

FIG. 7 is a rear elevational view thereof;

FIG. 8 is a right side elevational view thereof; and,

FIG. 9 is a left side elevational view thereof.

1 Claim, 4 Drawing Sheets



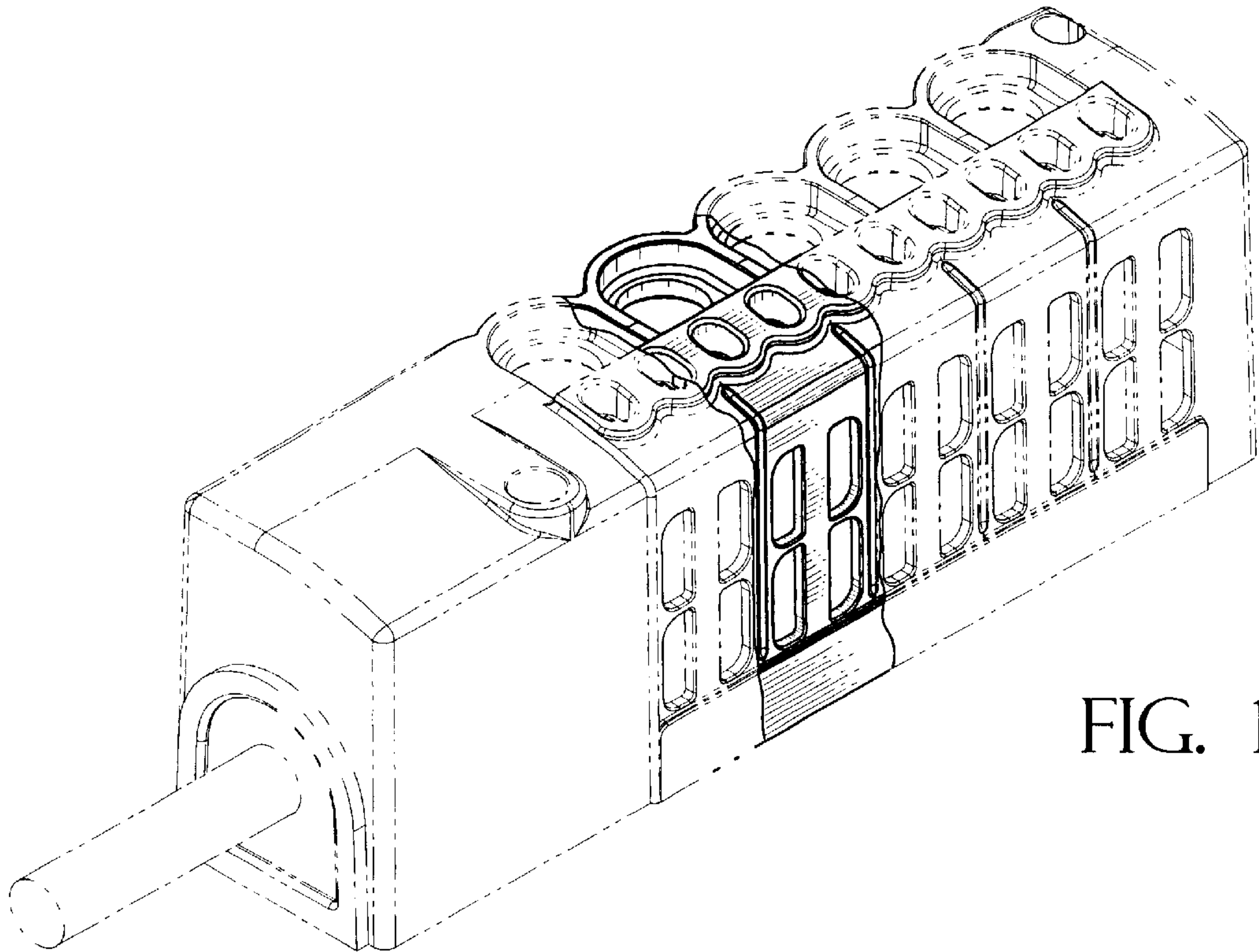


FIG. 1

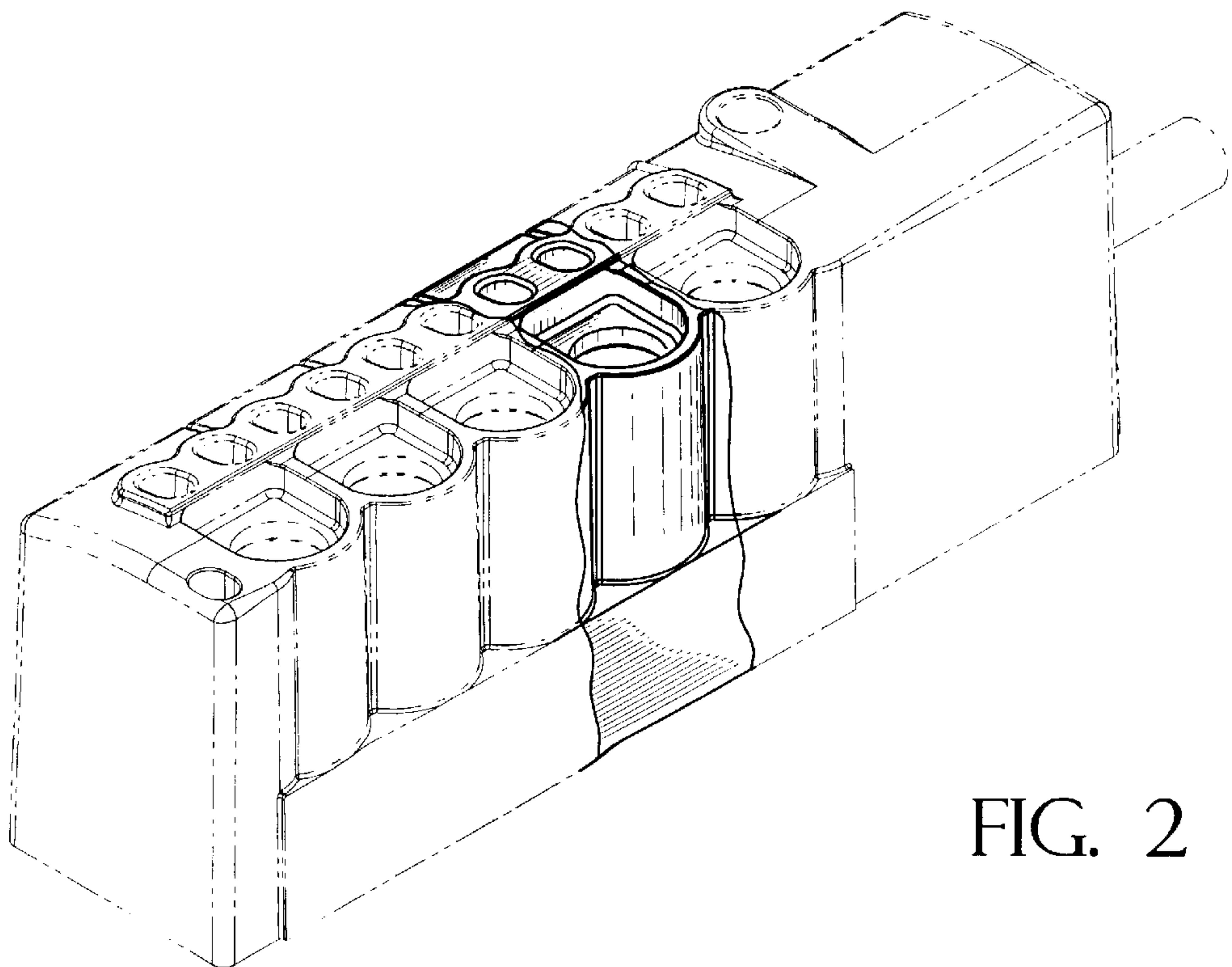
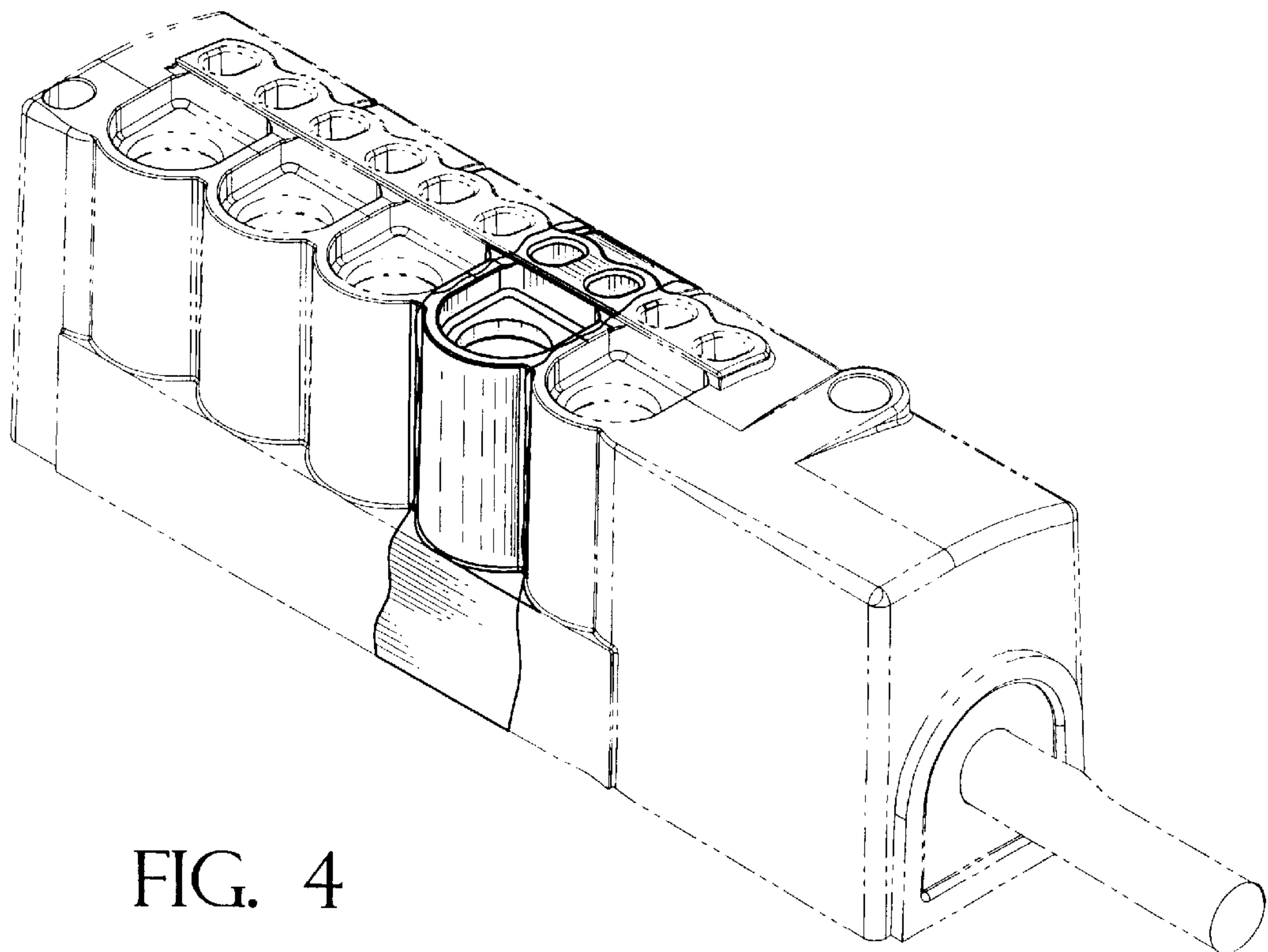
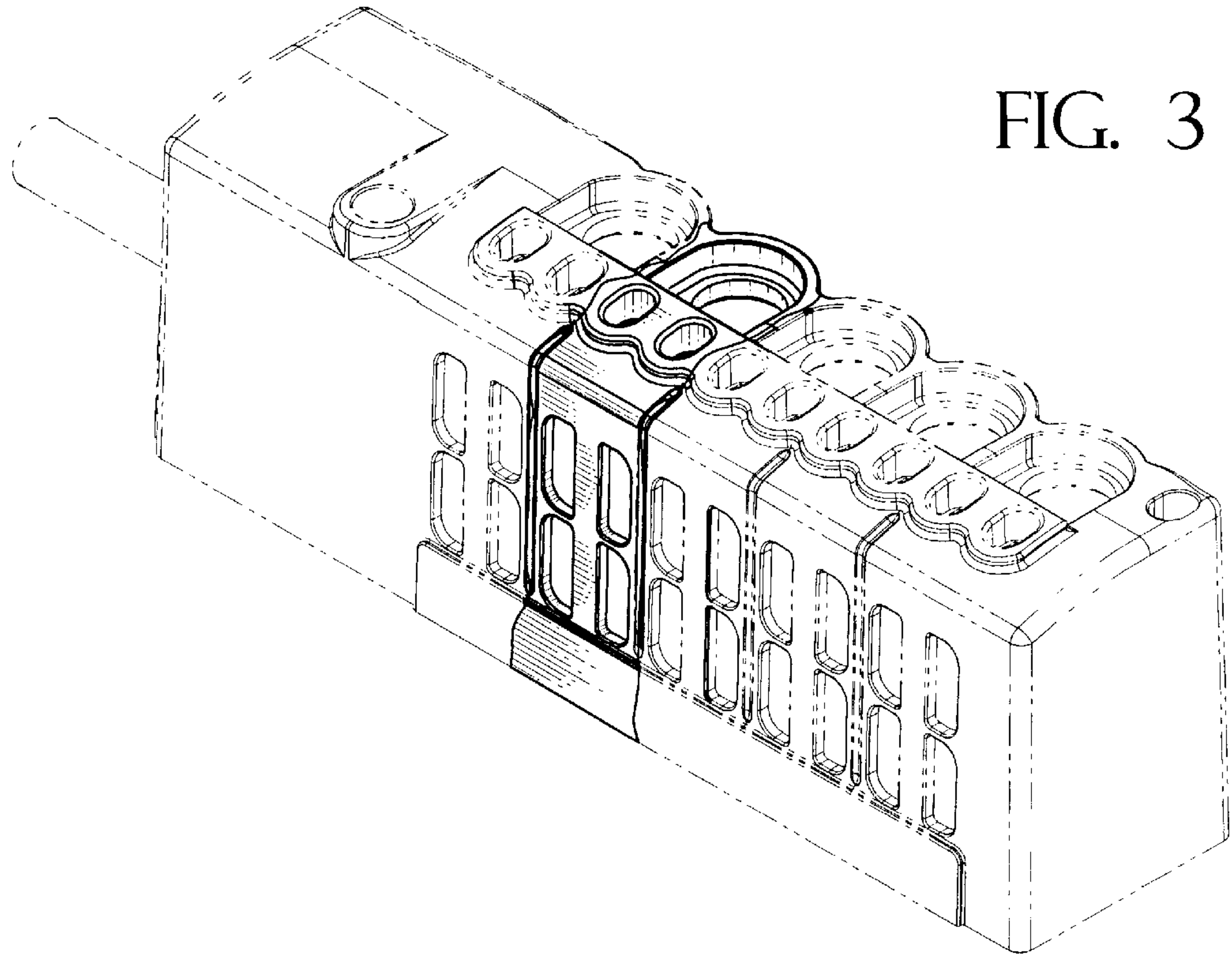


FIG. 2



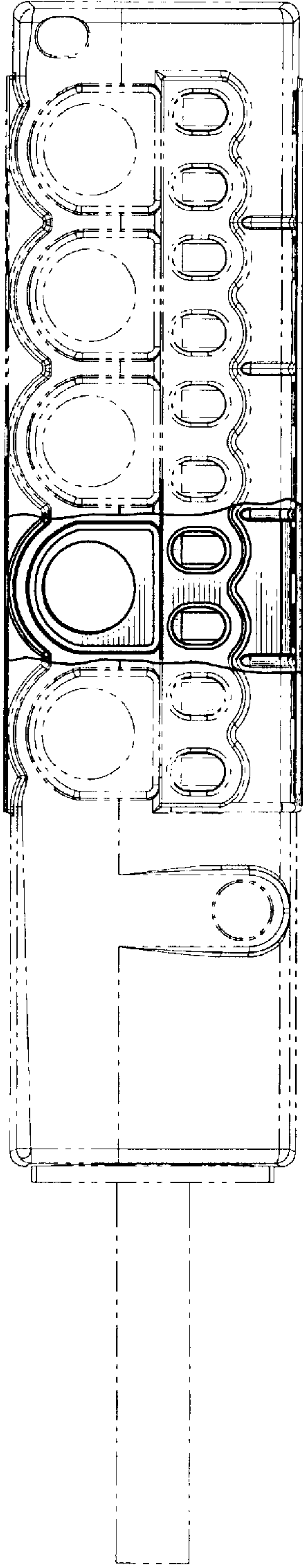


FIG. 5

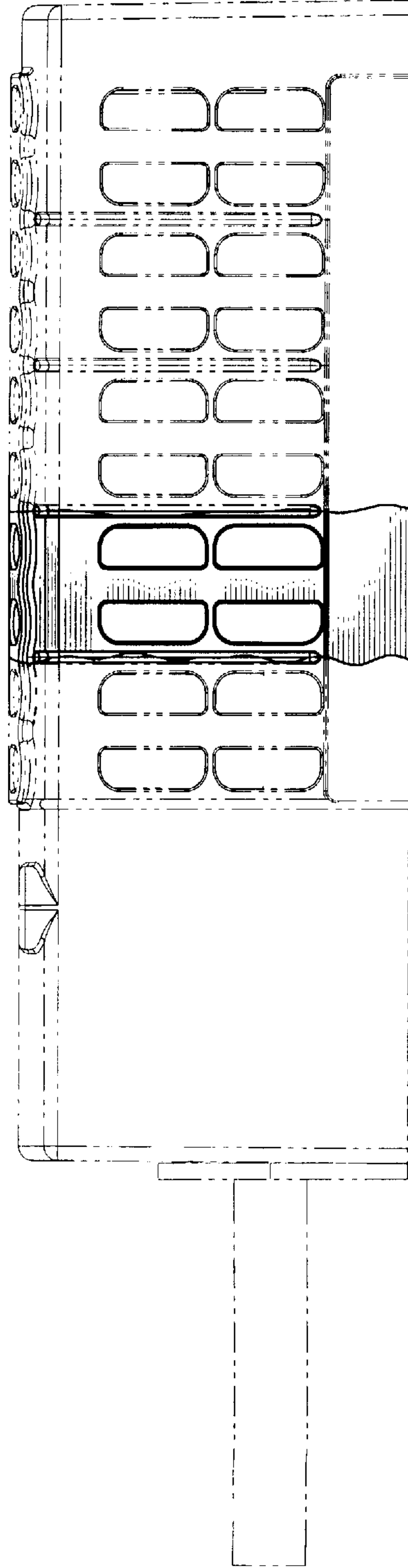


FIG. 6

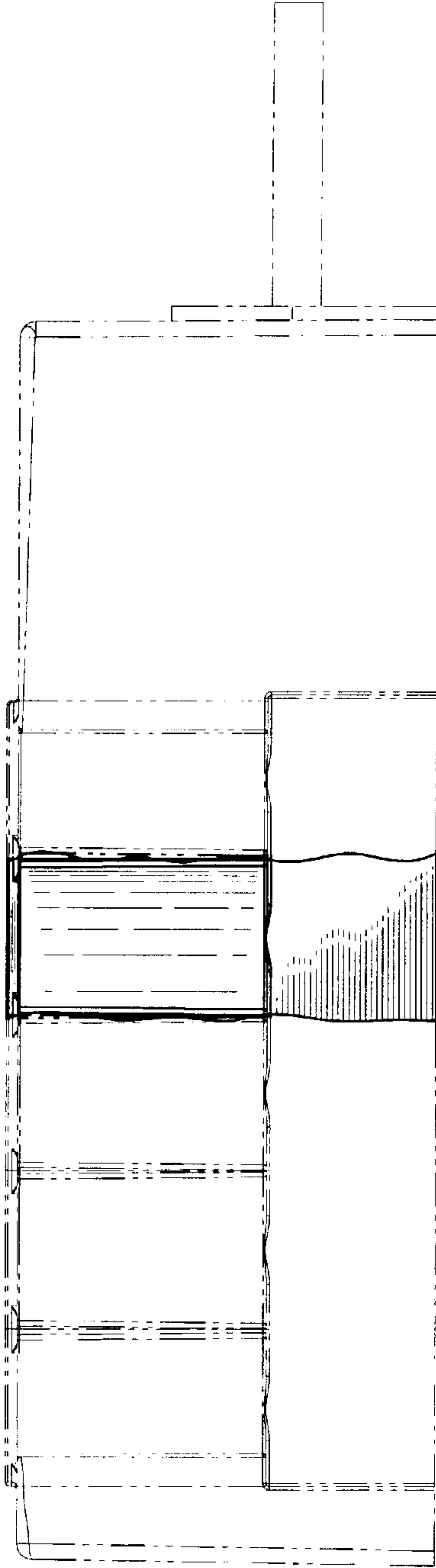


FIG. 7

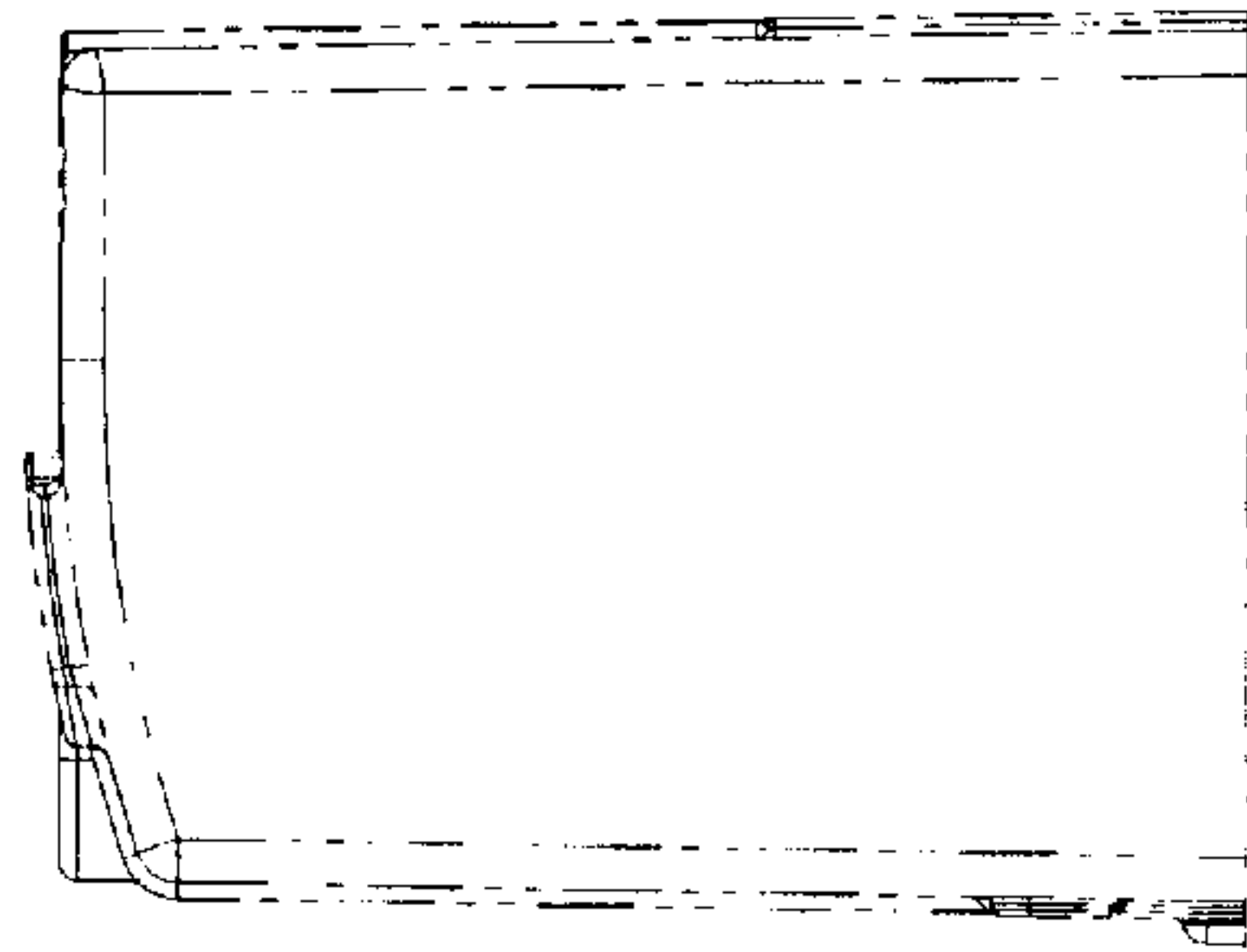


FIG. 8

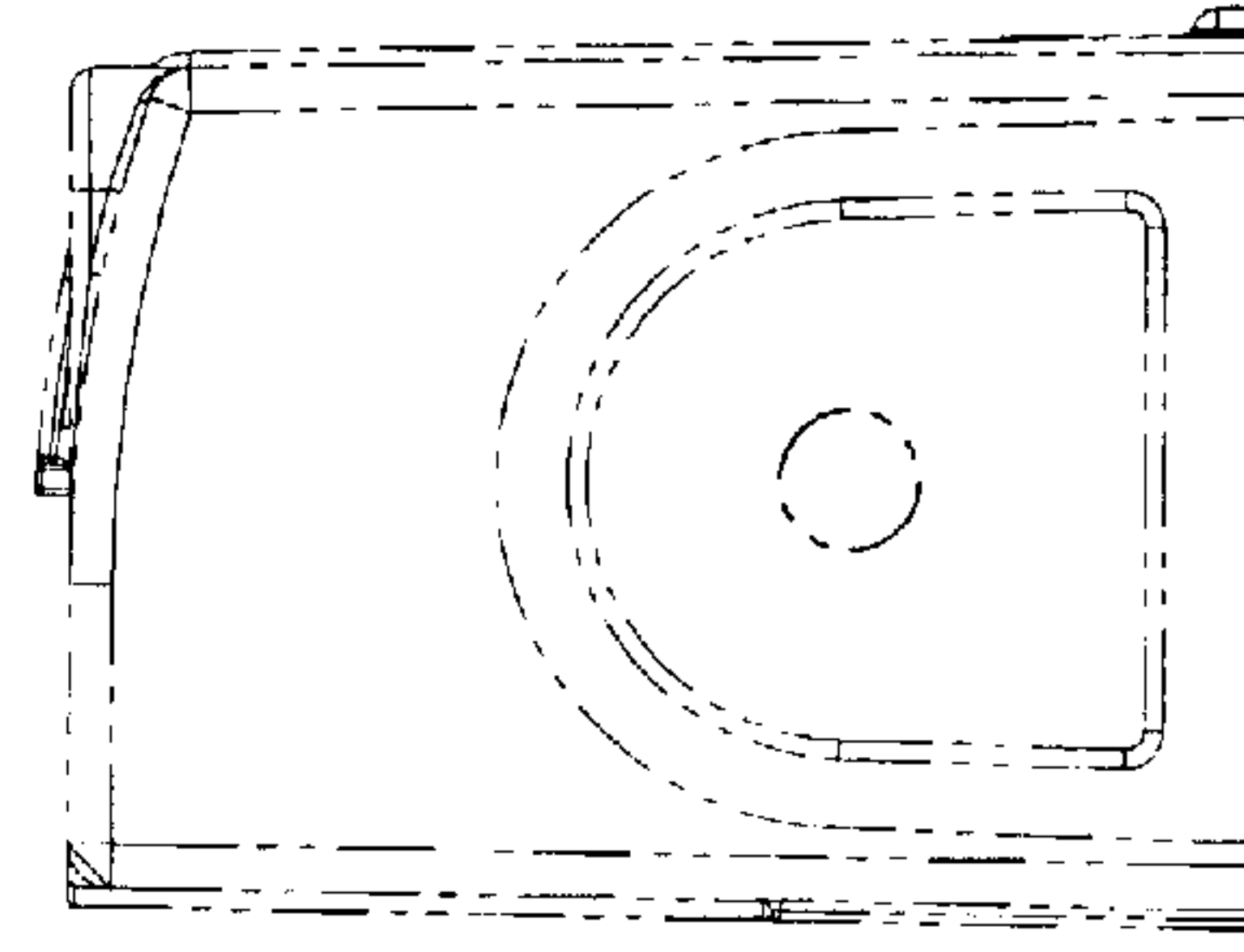


FIG. 9