



US00D414463S

# United States Patent [19] Wu

[11] **Patent Number: Des. 414,463**

[45] **Date of Patent: \*\* Sep. 28, 1999**

[54] **MINI JACK**

[75] Inventor: **Kun Tsan Wu**, Tu-Chen, Taiwan

[73] Assignee: **Hon Hai Precision Ind. Co., Ltd.**,  
Taipei Hsien, Taiwan

[\*\*] Term: **14 Years**

[21] Appl. No.: **29/098,294**

[22] Filed: **Dec. 22, 1998**

[51] **LOC (6) Cl.** ..... **13-03**

[52] **U.S. Cl.** ..... **D13/133**

[58] **Field of Search** ..... D13/133; 439/63,  
439/78, 669, 668, 684

[56] **References Cited**

**U.S. PATENT DOCUMENTS**

- D. 287,239 12/1986 **Komatsu** ..... D13/133
- D. 312,613 12/1990 **Shichida** ..... D13/133

- D. 345,546 3/1994 **Lin et al.** ..... D13/133
- D. 387,731 12/1997 **Mitani** ..... D13/133
- 4,749,357 6/1988 **Foley** ..... 439/78 X
- 5,055,055 10/1991 **Bakker** ..... 439/78

*Primary Examiner*—Joel Sincavage

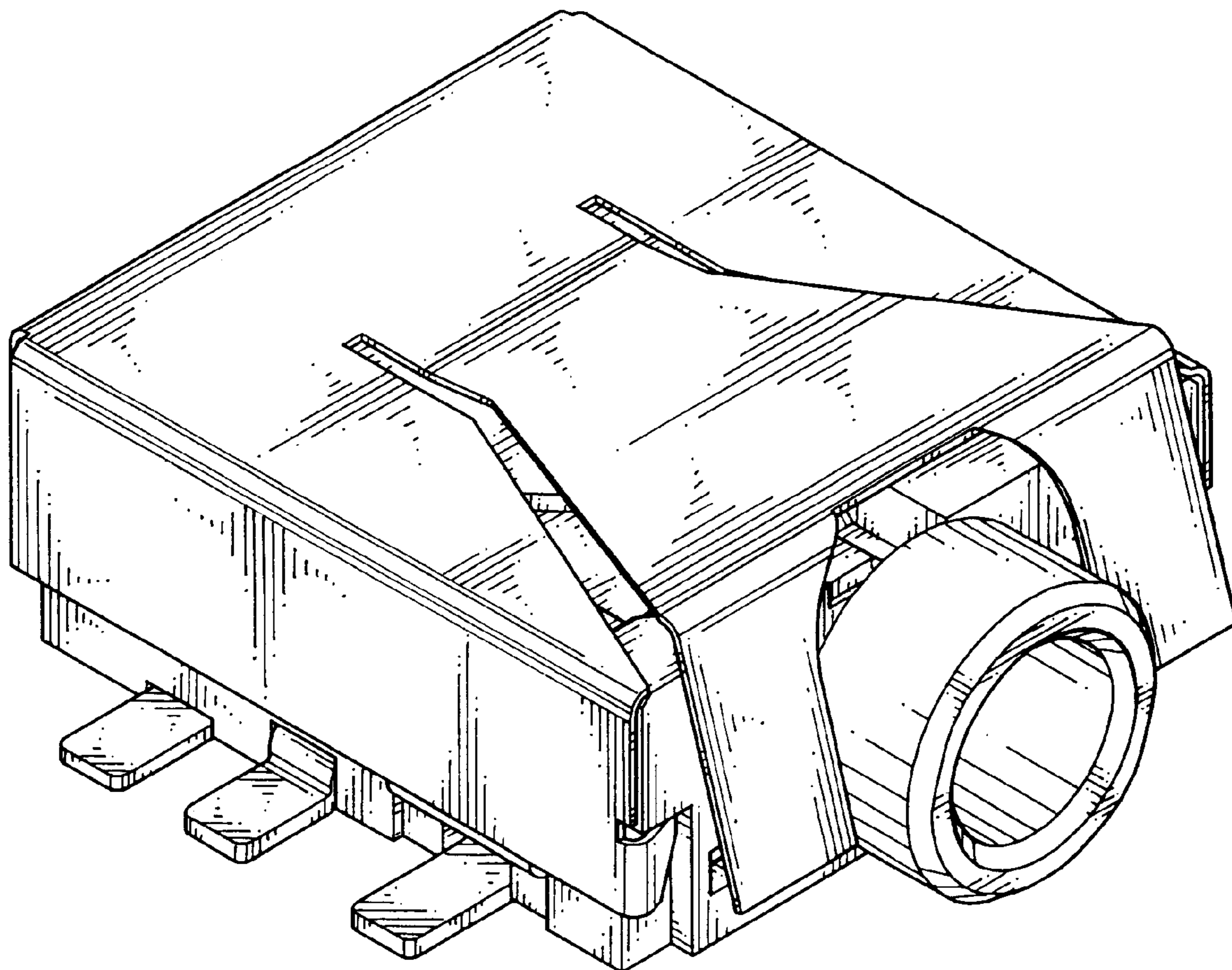
[57] **CLAIM**

The ornamental design for a mini jack, as shown.

**DESCRIPTION**

FIG. 1 is a perspective view of a mini jack showing my new design;  
 FIG. 2 is a front elevational view thereof;  
 FIG. 3 is a rear elevational view thereof;  
 FIG. 4 is a left side elevational view thereof;  
 FIG. 5 is a right side elevational view thereof;  
 FIG. 6 is a top plan view thereof; and,  
 FIG. 7 is a bottom plan view thereof.

**1 Claim, 7 Drawing Sheets**



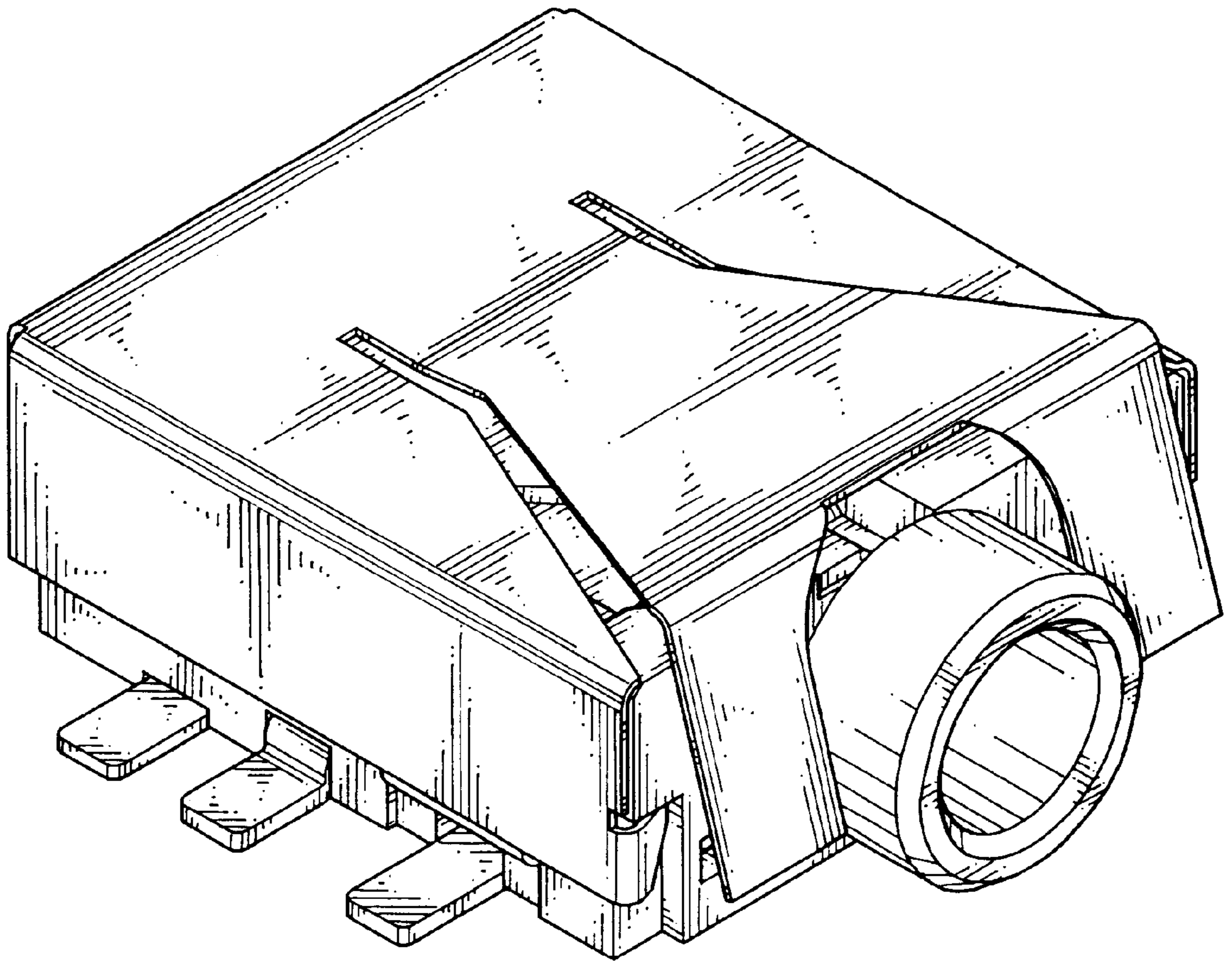


FIG. 1

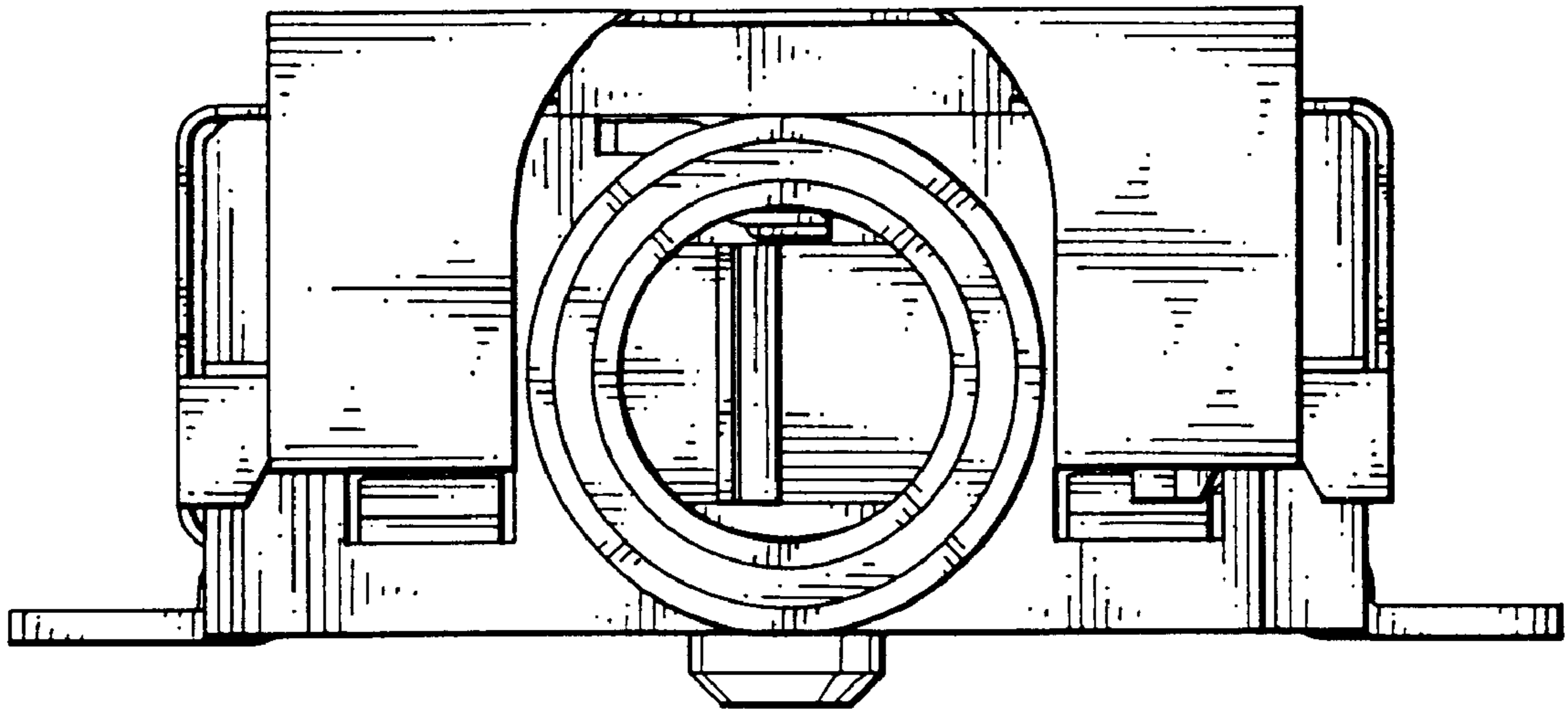


FIG. 2

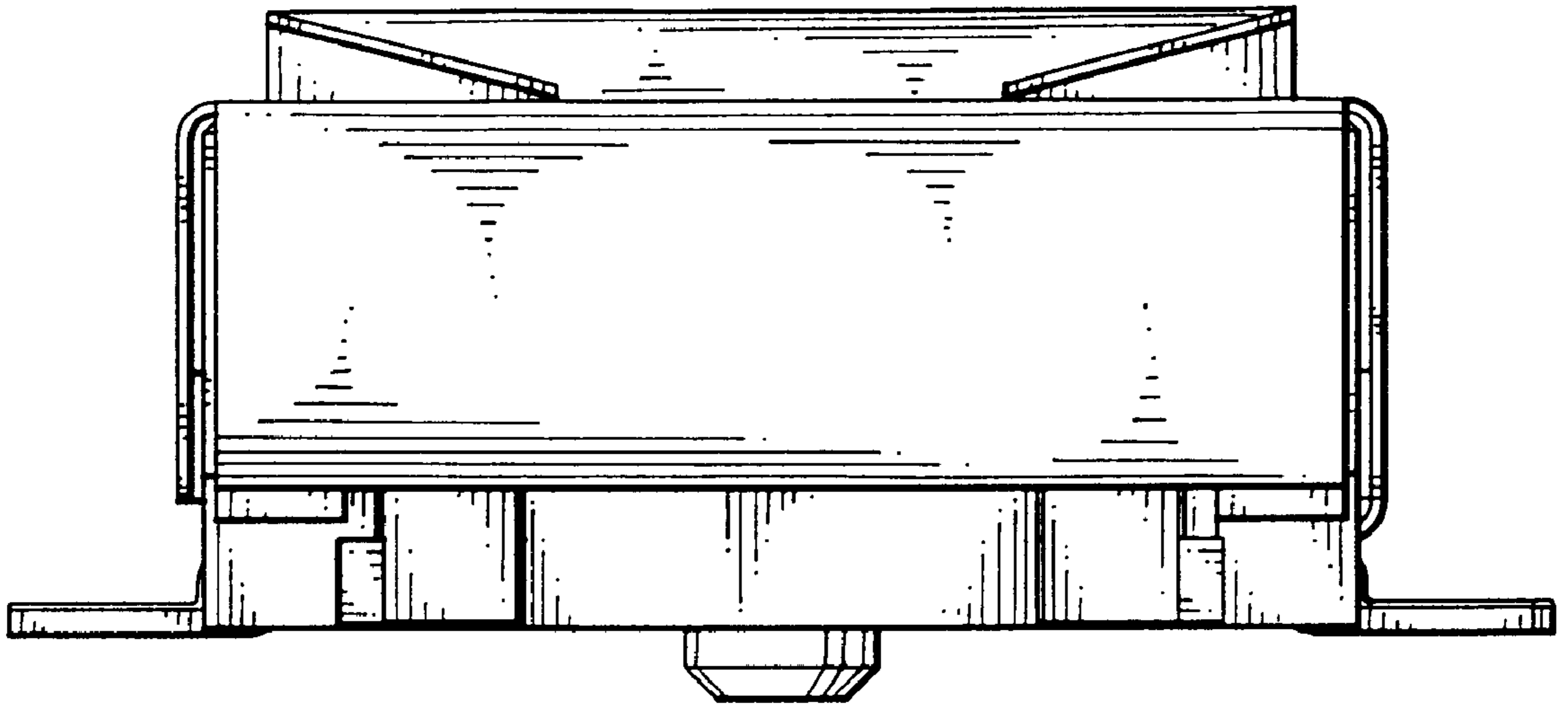


FIG. 3

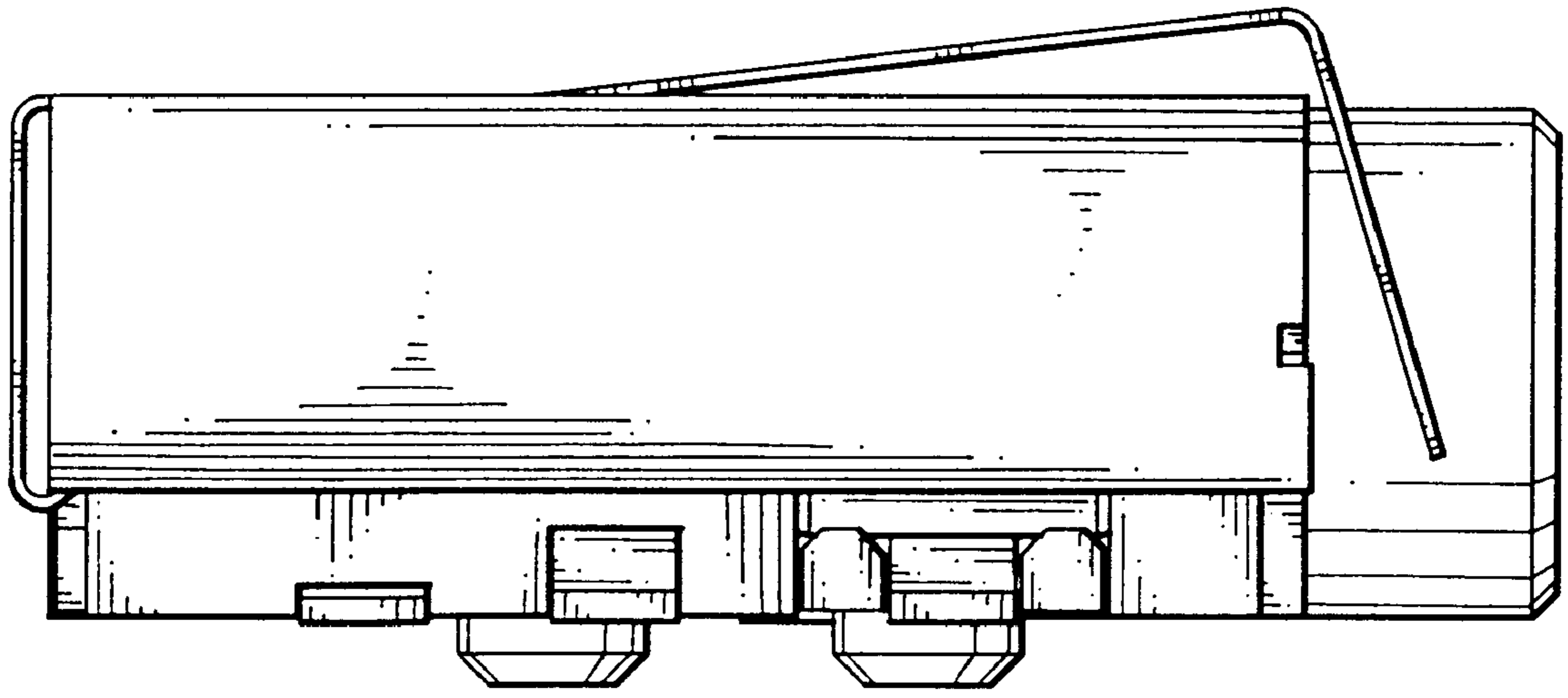


FIG. 4

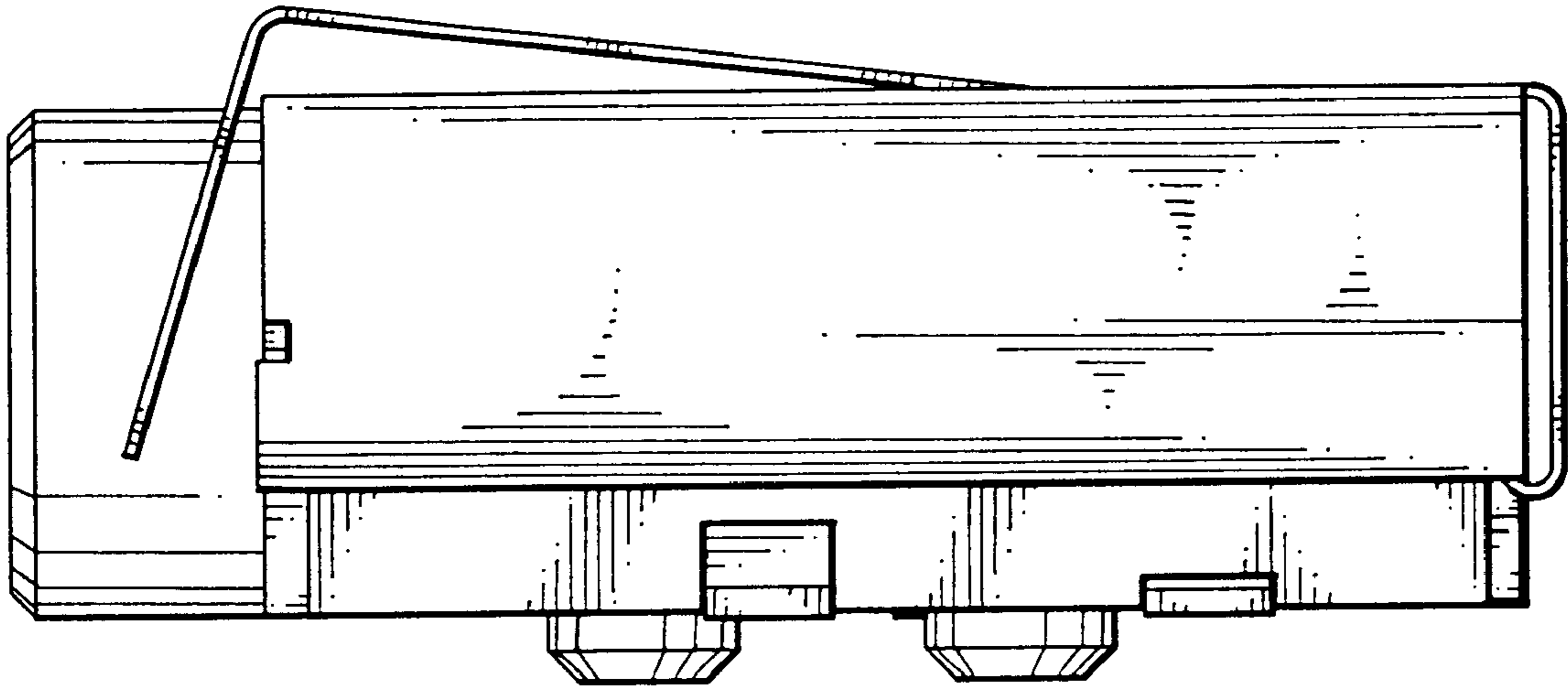


FIG. 5

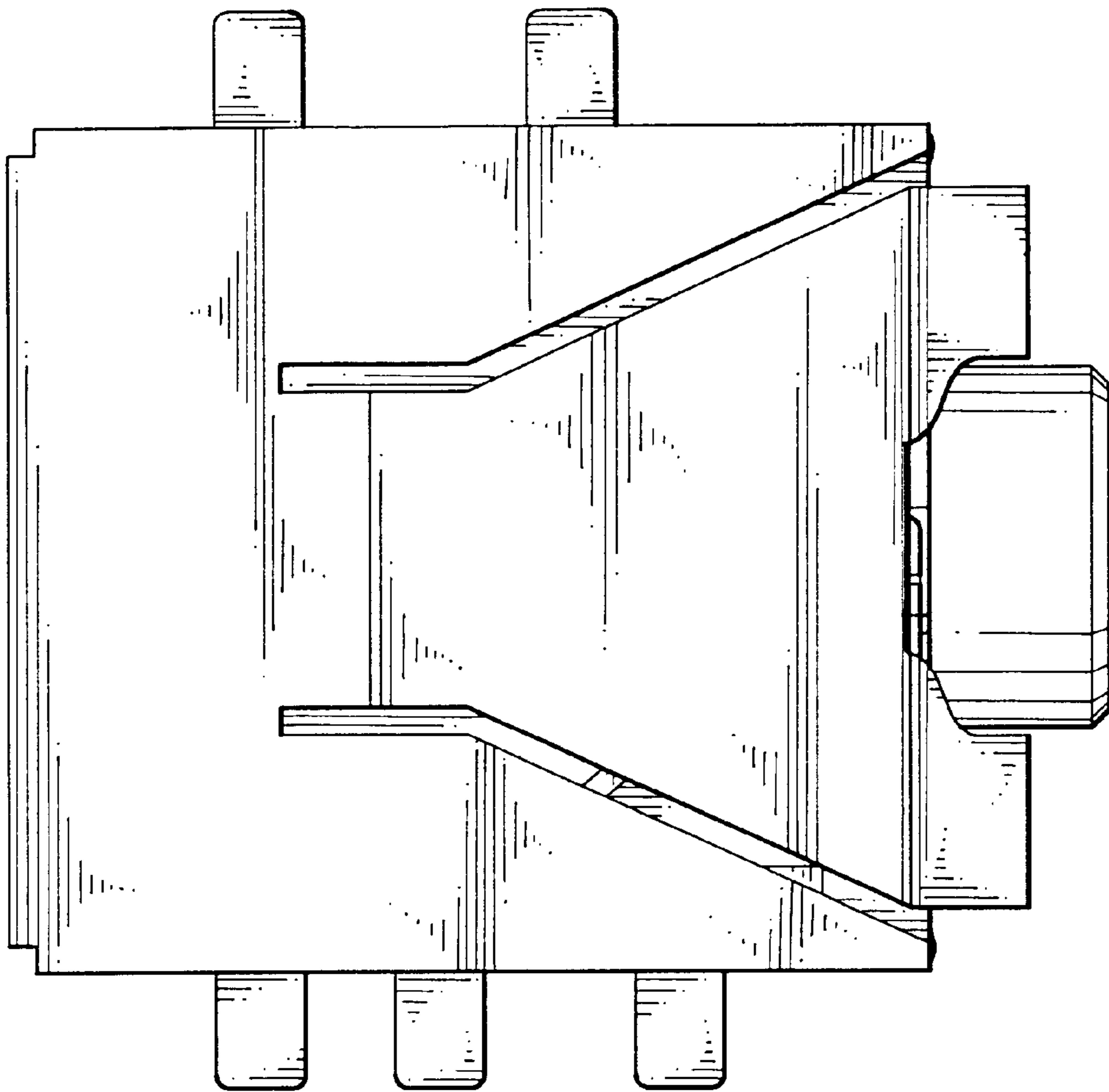


FIG. 6

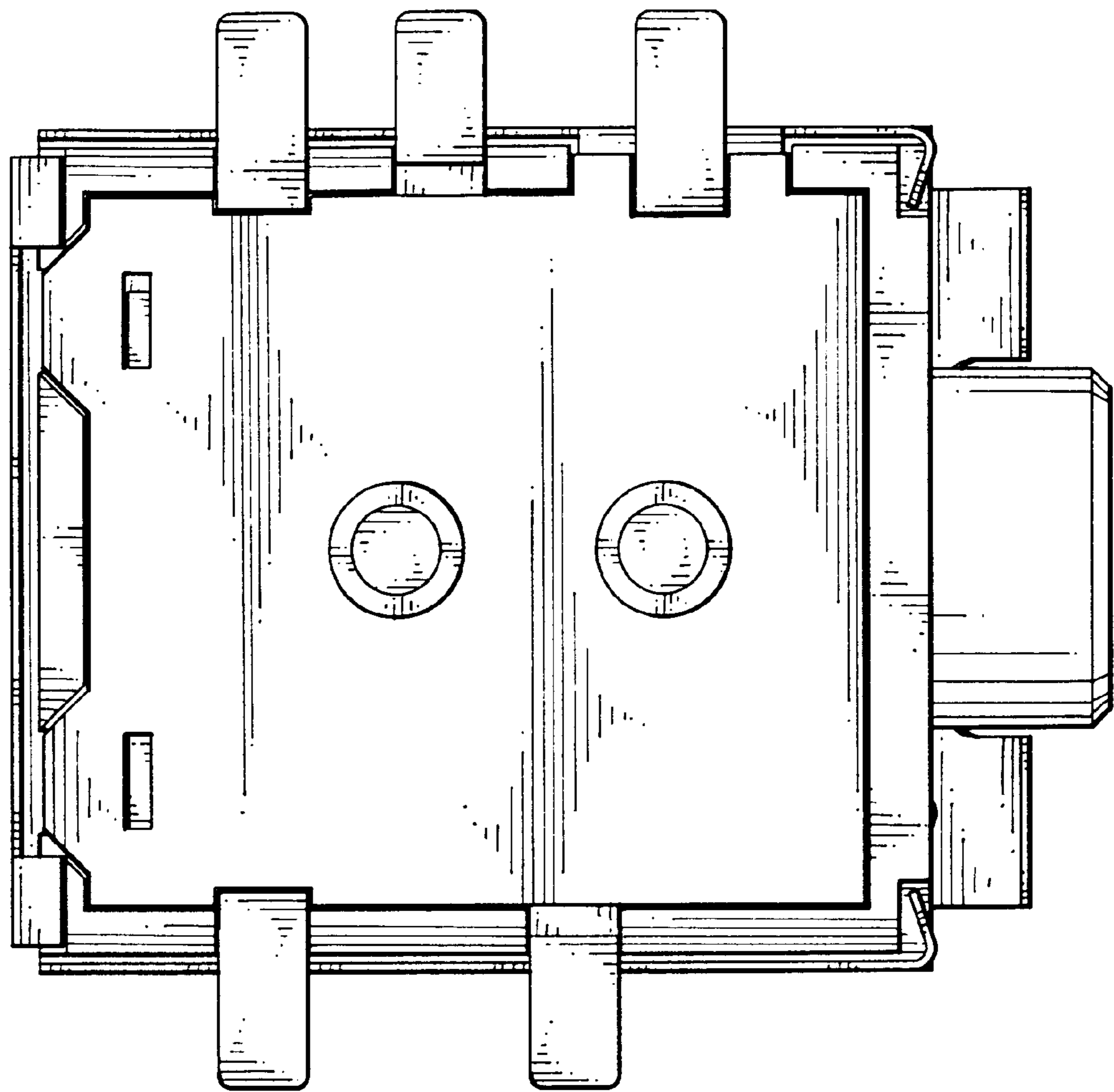


FIG. 7