



US00D414462S

United States Patent [19]

Peterson et al.

[11] Patent Number: Des. 414,462

[45] Date of Patent: ** Sep. 28, 1999

[54] CABLE CONNECTOR

[75] Inventors: Keith A. Peterson, Portland, Oreg.;
Wen-Seo Yu, Taiwan, Taiwan

[73] Assignee: Phoenix Gold International, Inc.,
Portland, Oreg.

[**] Term: 14 Years

[21] Appl. No.: 29/087,249

[22] Filed: Apr. 28, 1998

[51] LOC (6) Cl. 13-03

[52] U.S. Cl. D13/133

[58] Field of Search D13/133, 146;
439/675, 825, 851

[56] References Cited

U.S. PATENT DOCUMENTS

D. 355,159	2/1995	Cheng	D13/133
D. 403,302	12/1998	Awbrey	D13/133
4,129,352	12/1978	Iizuka	439/675

OTHER PUBLICATIONS

Audio/Car Audio '96-'97 Accessory Pricing Schedule, pp.
14-18 and 20-22 (1996).

Primary Examiner—Joel Sincavage

Attorney, Agent, or Firm—Klarquist Sparkman Campbell
Leigh & Winston, LLP

[57] CLAIM

The ornamental design for a cable connector, as shown and
described.

DESCRIPTION

FIG. 1 is a top perspective view of a cable connector
showing our new design.

FIG. 2 is an elevational view, all elevational views being
mirror images thereof.

FIG. 3 is an end elevational view from the left end of the
connector as it is shown in FIG. 2; and,

FIG. 4 is an end elevational view from the right end of the
connector as it is shown in FIG. 2.

The broken line showing of the cable in FIG. 1 is included
for the purpose of illustrating environmental structure only
and forms no part of the claimed design.

1 Claim, 1 Drawing Sheet

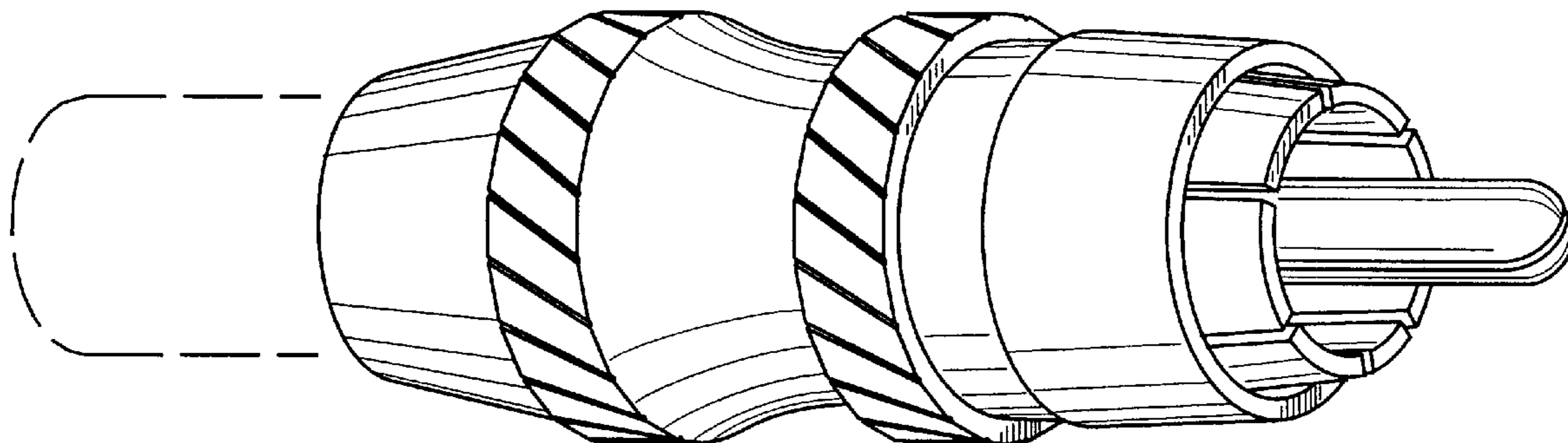


FIG. 1

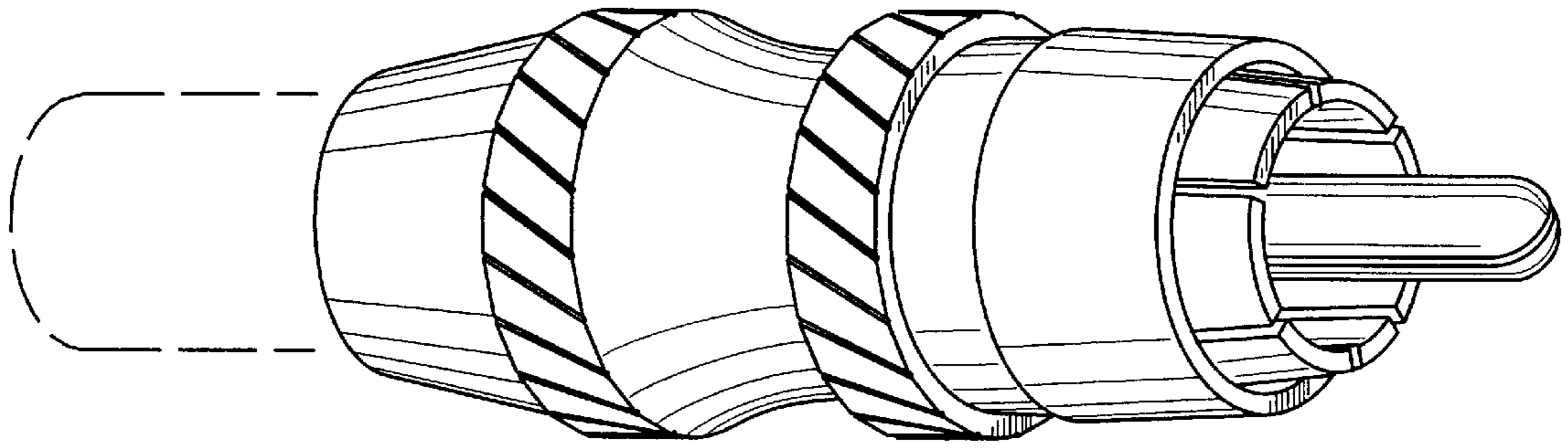


FIG. 2

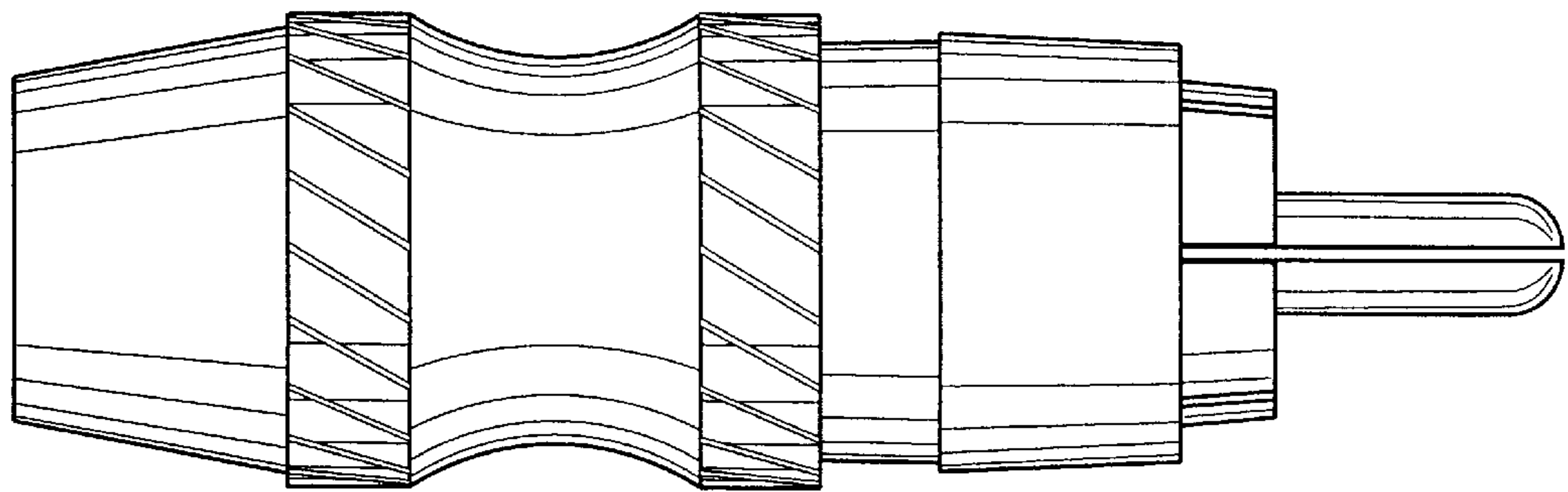


FIG. 3

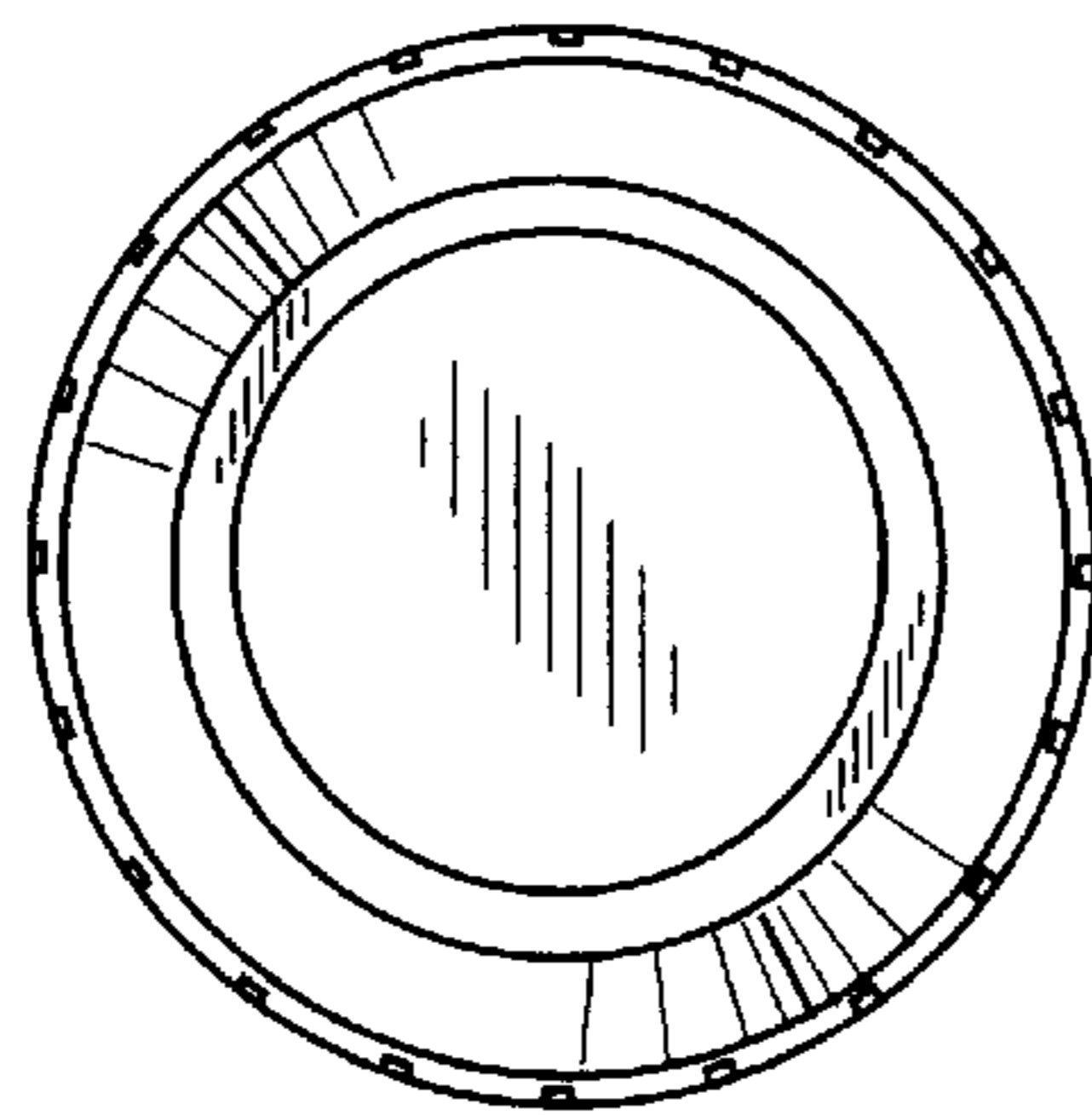


FIG. 4

