



US00D414461S

United States Patent [19] Wang

[11] **Patent Number: Des. 414,461**

[45] **Date of Patent: ** Sep. 28, 1999**

[54] **GENERATOR**

4,293,756 10/1981 Hoyt, Jr. et al. 219/133
4,702,201 10/1987 Odo et al. 123/2

[76] Inventor: **Wen Chang Wang**, No. 208-13, Shan Lun Tsun, Jen Teh Hsiang, Tainan Hsien, Taiwan

Primary Examiner—Joel Sincavage
Attorney, Agent, or Firm—Pro-Techtor International Services

[**] Term: **14 Years**

[57] **CLAIM**

[21] Appl. No.: **29/101,056**

The ornamental design for a generator, as shown and described.

[22] Filed: **Feb. 24, 1999**

[51] **LOC (6) Cl.** **13-02**

[52] **U.S. Cl.** **D13/116**

[58] **Field of Search** D13/112, 114,
D13/116; 290/1 A, 1 B; 309/150; 123/2,
3

DESCRIPTION

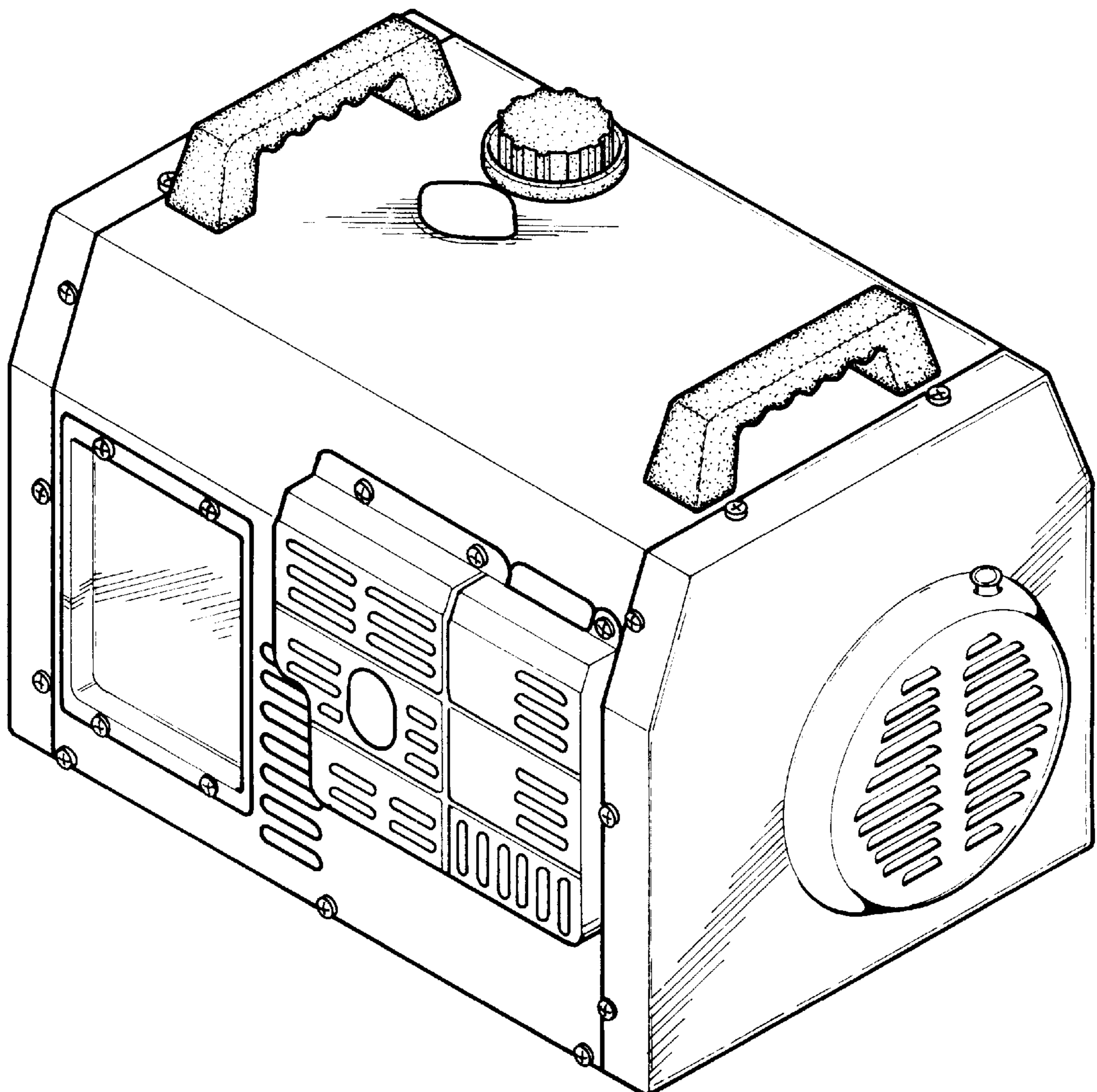
FIG. 1 is a perspective view of a generator showing my new design;
FIG. 2 is a right elevational view thereof;
FIG. 3 is a top plan view thereof;
FIG. 4 is a front elevational view thereof;
FIG. 5 is a bottom plan view thereof;
FIG. 6 is a left elevational view thereof; and,
FIG. 7 is a rear elevational view.

[56] **References Cited**

U.S. PATENT DOCUMENTS

D. 181,459 11/1957 Bullock D13/116
D. 279,977 8/1985 Bonazelli D13/116

1 Claim, 4 Drawing Sheets



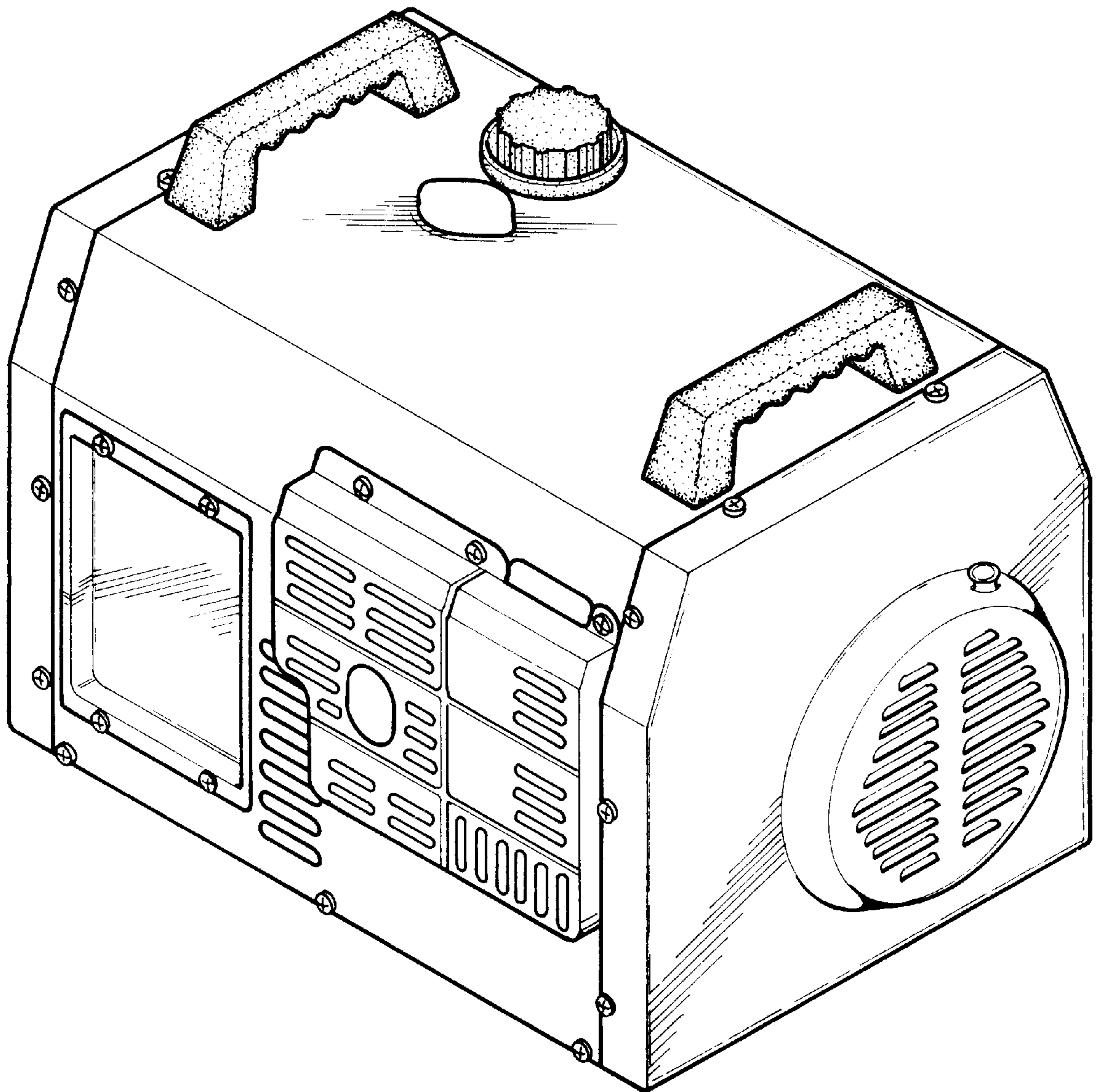


FIG. 1

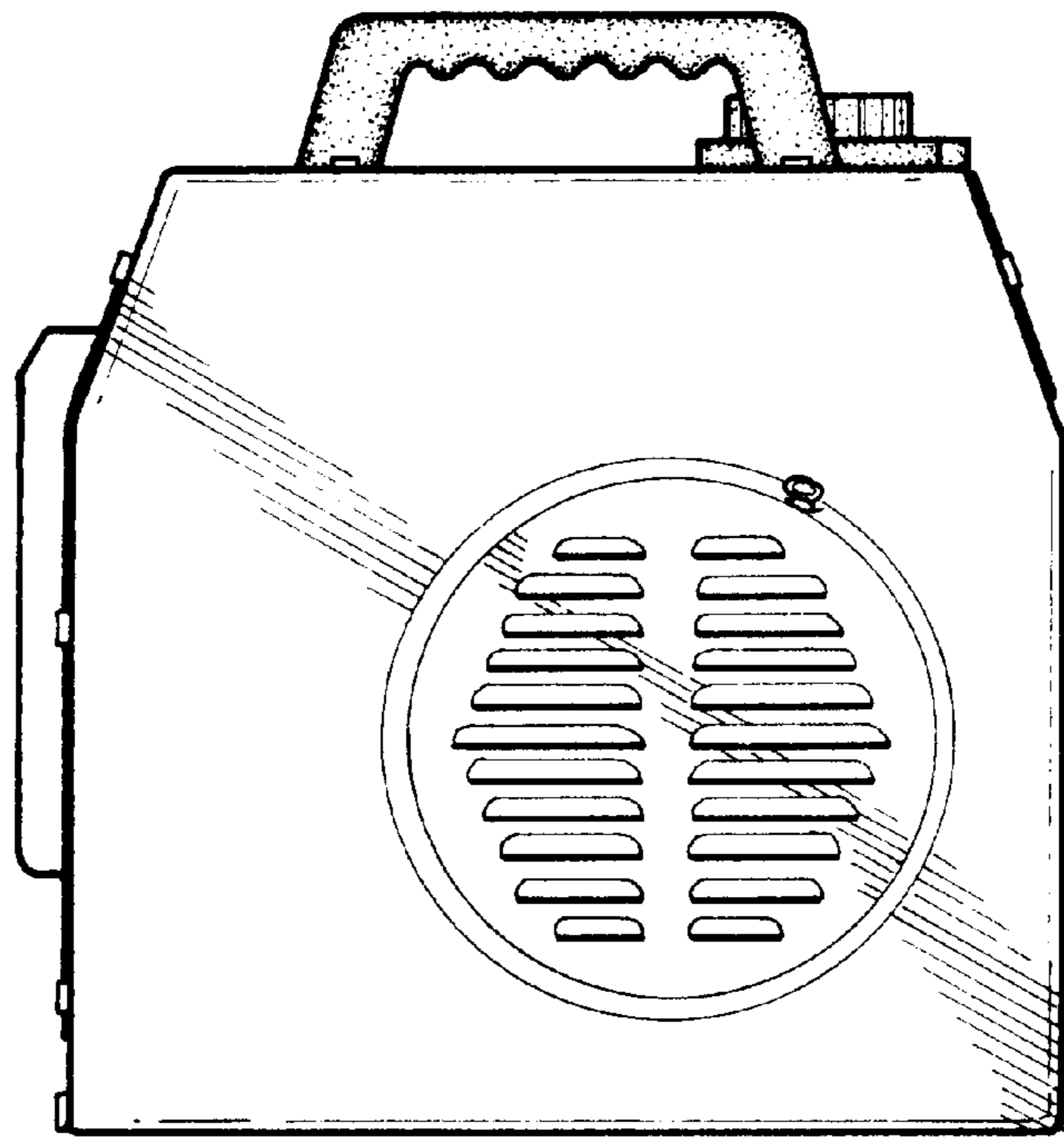


FIG. 2

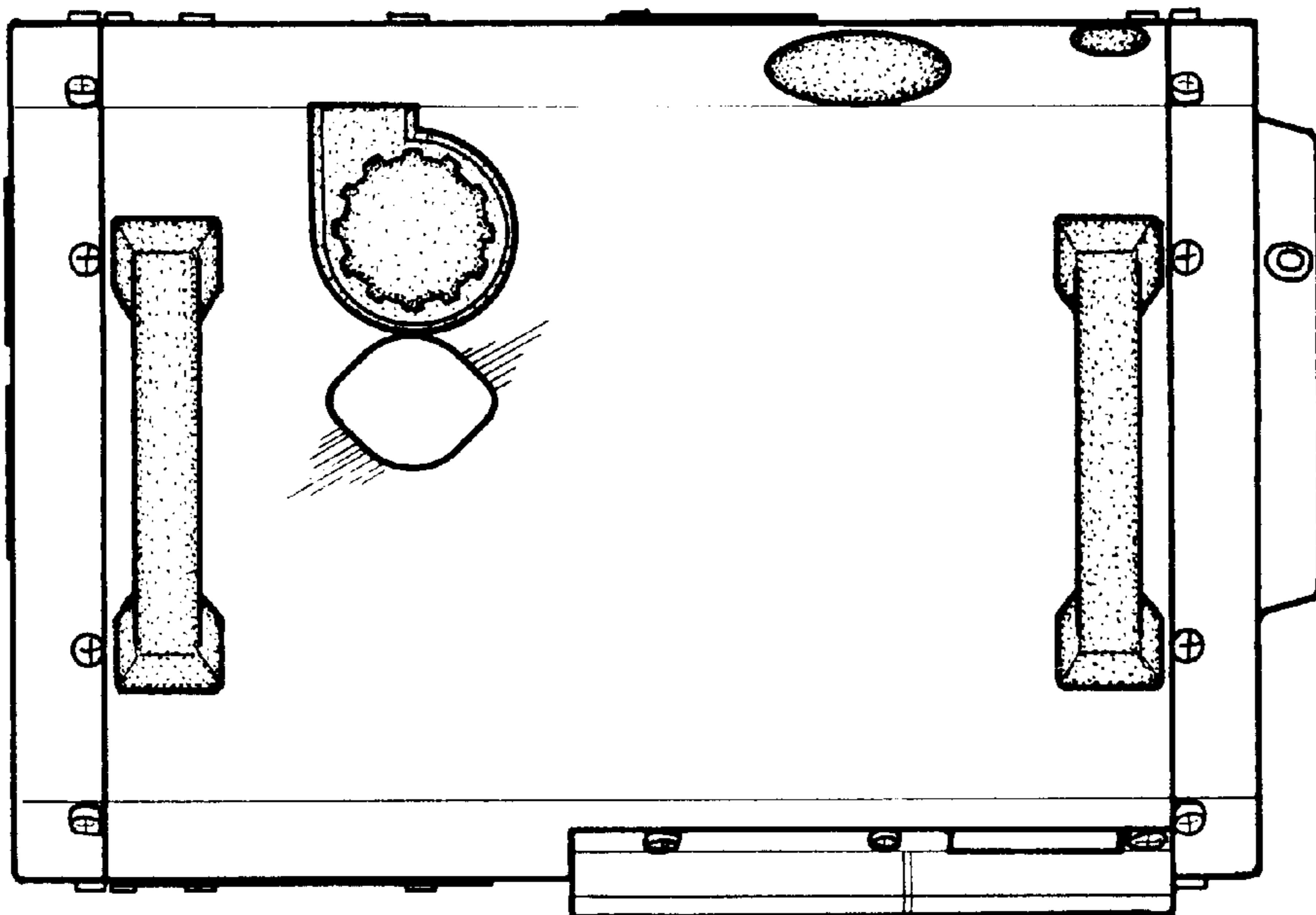


FIG. 3

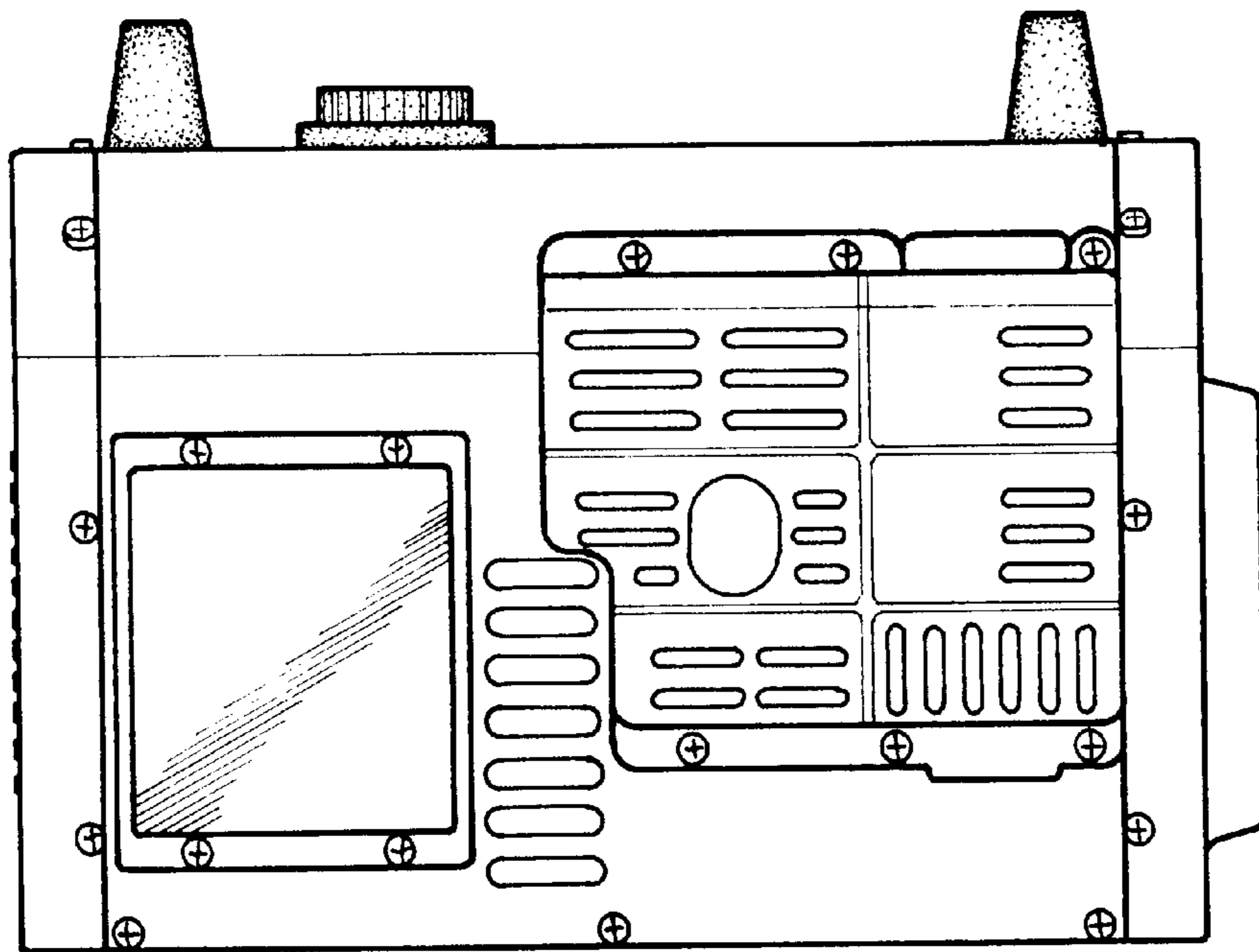


FIG. 4

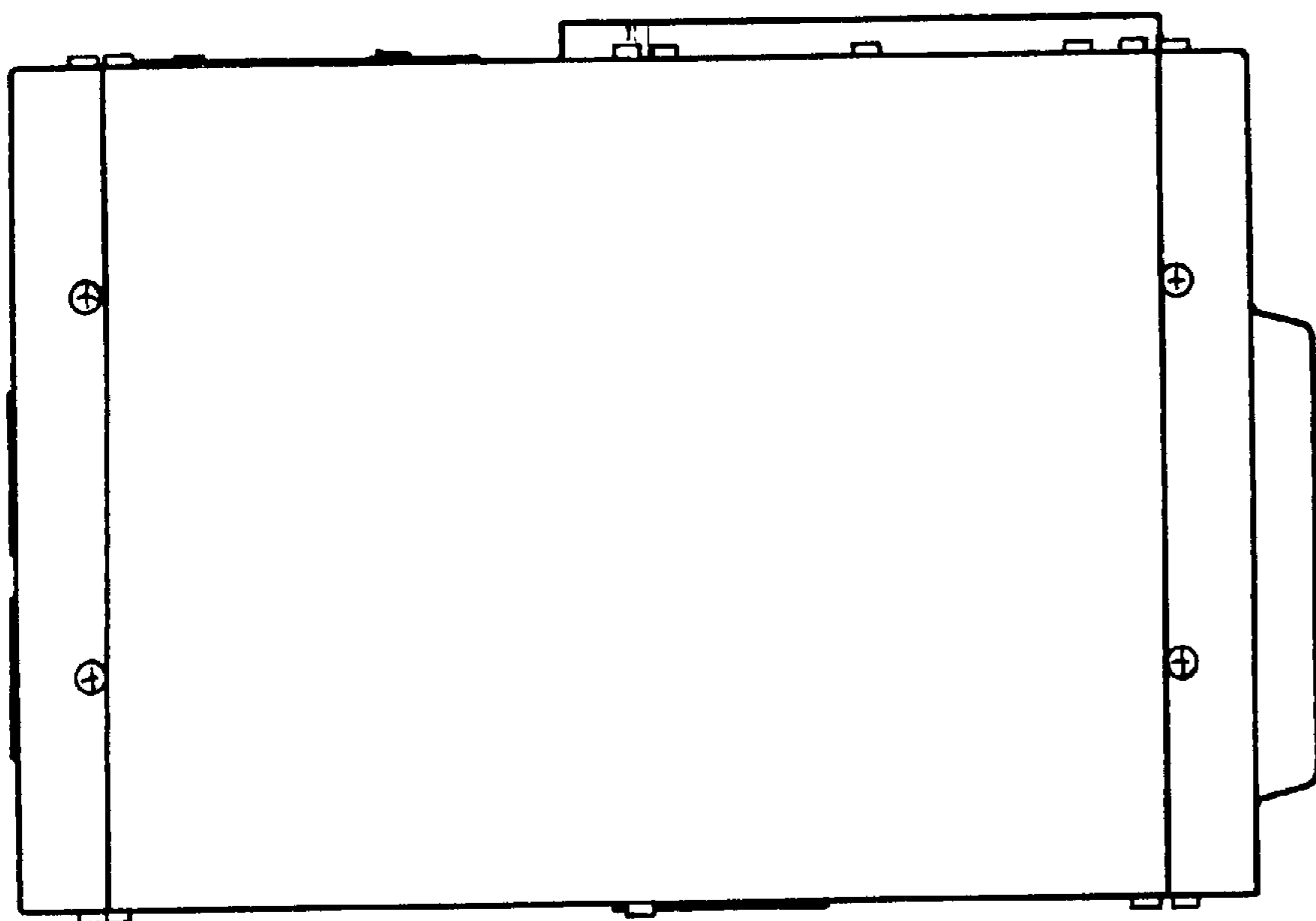


FIG. 5

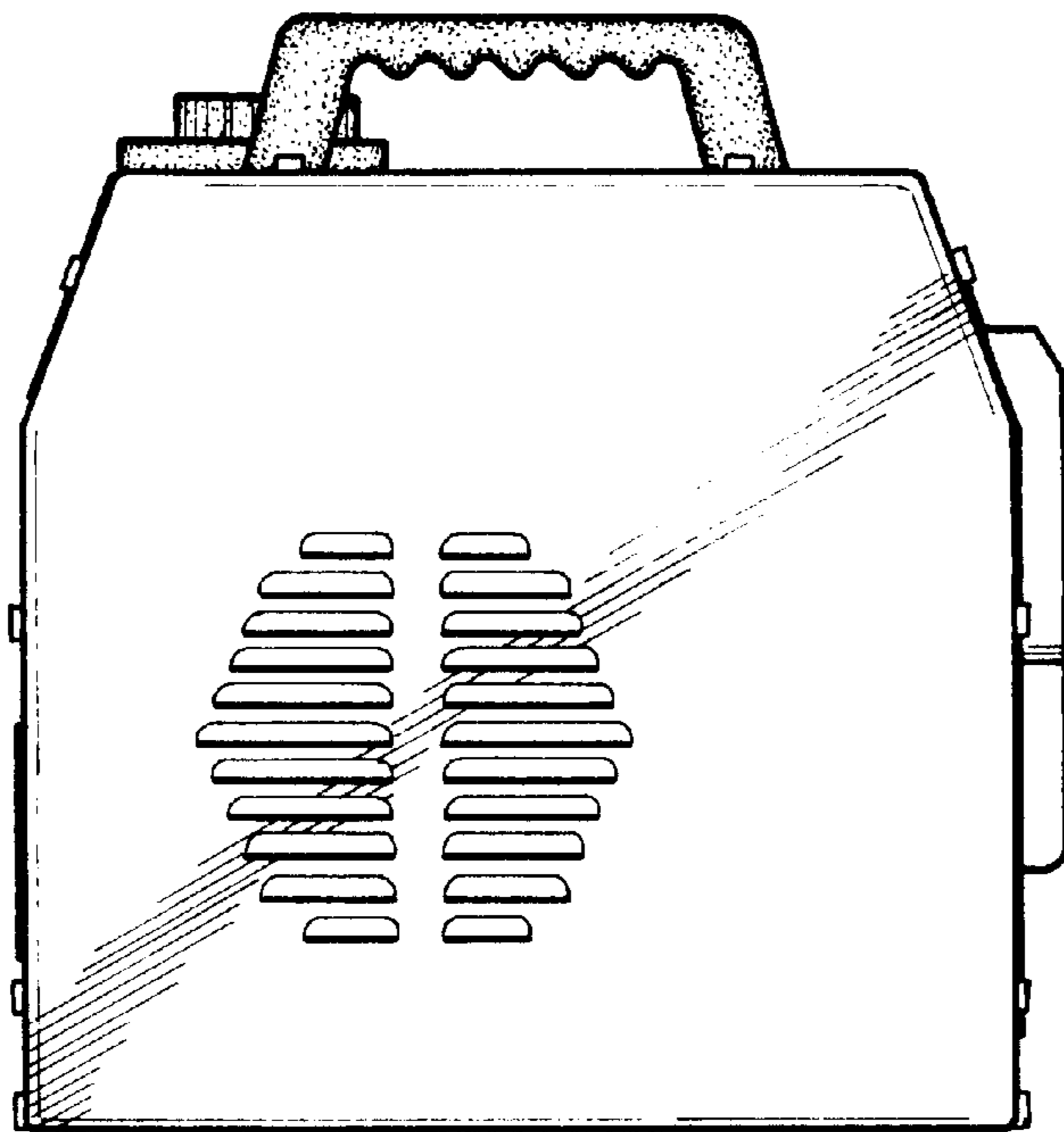


FIG. 6

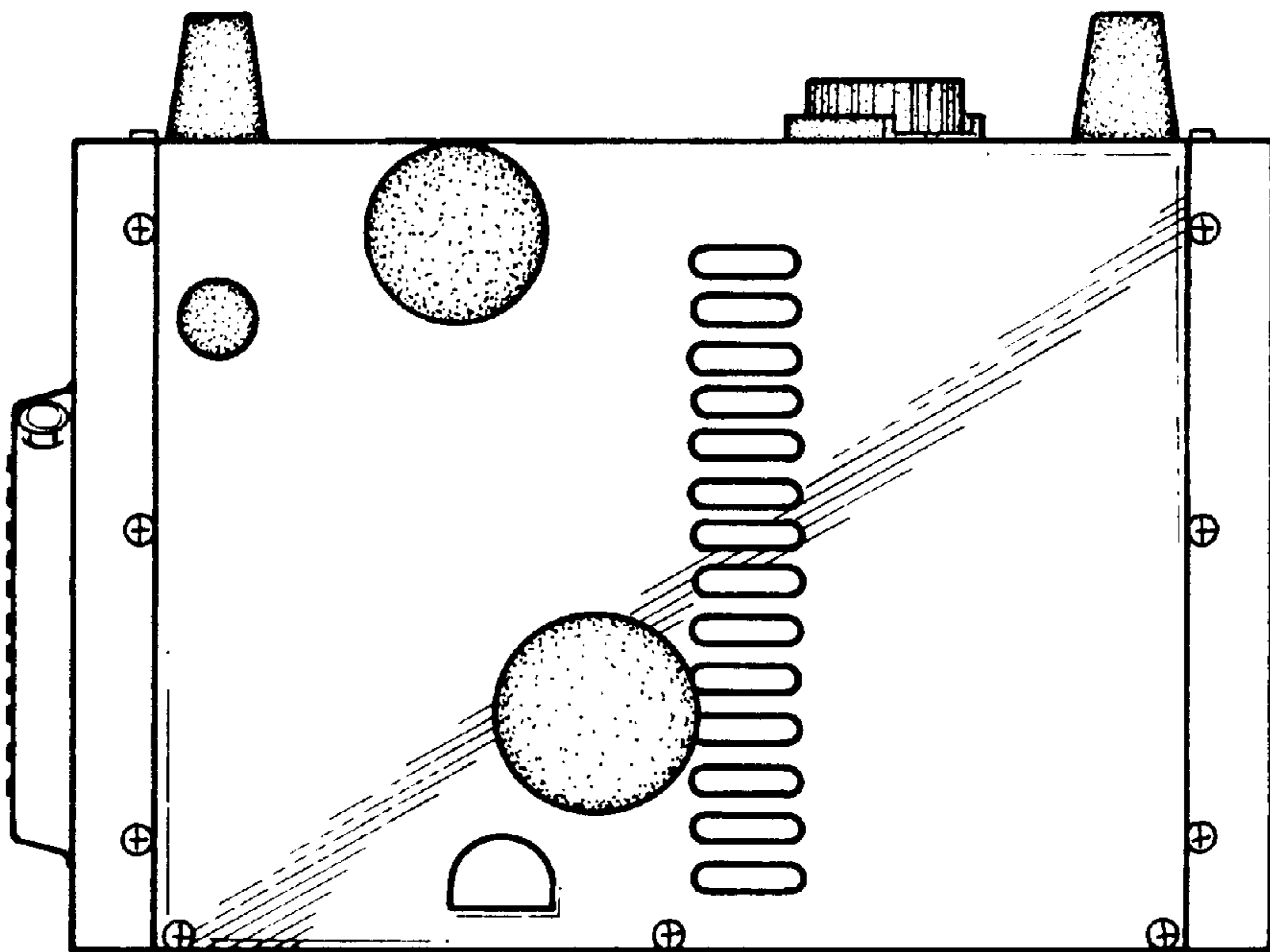


FIG. 7