



US00D414460S

United States Patent [19] Hughes

[11] **Patent Number: Des. 414,460**

[45] **Date of Patent: ** Sep. 28, 1999**

[54] **RECREATIONAL VEHICLE VOLTAGE BOOSTER**

[76] Inventor: **Robert C. Hughes**, 2050 Mountain View Dr., Escondido, Calif. 92027

[**] Term: **14 Years**

[21] Appl. No.: **29/100,011**

[22] Filed: **Feb. 2, 1999**

[51] **LOC (6) Cl. 13-02**

[52] **U.S. Cl. D13/110**

[58] **Field of Search** D13/110, 118, D13/123; 174/50, 52.1; 307/66, 150; 363/141; 323/301; 361/730, 836, 623

[56] **References Cited**

U.S. PATENT DOCUMENTS

Re. 35,190	3/1996	Zylstra et al.	363/146
D. 122,945	10/1940	Quirk	D13/107
D. 254,846	4/1980	Wood	D13/110
3,717,805	2/1973	Gnaedinger et al.	363/13

4,217,624	8/1980	Tuck	307/150 X
5,051,867	9/1991	Burgher et al.	361/688
5,177,325	1/1993	Giammanco	147/50
5,874,788	2/1999	McCartney	307/66

Primary Examiner—Joel Sincavage
Attorney, Agent, or Firm—Loyal McKinley Hanson

[57] **CLAIM**

I claim the ornamental design for a recreational vehicle voltage booster, as shown.

DESCRIPTION

FIG. 1 of the drawings is an isometric view showing the front, top, and left side of a recreational vehicle voltage booster embodying the design of my invention; FIG. 2 is a top view of the appliance; FIG. 3 is a front view; FIG. 4 is a left side view; FIG. 5 is a right side view; FIG. 6 is a back view; and, FIG. 7 is a bottom view.

1 Claim, 3 Drawing Sheets

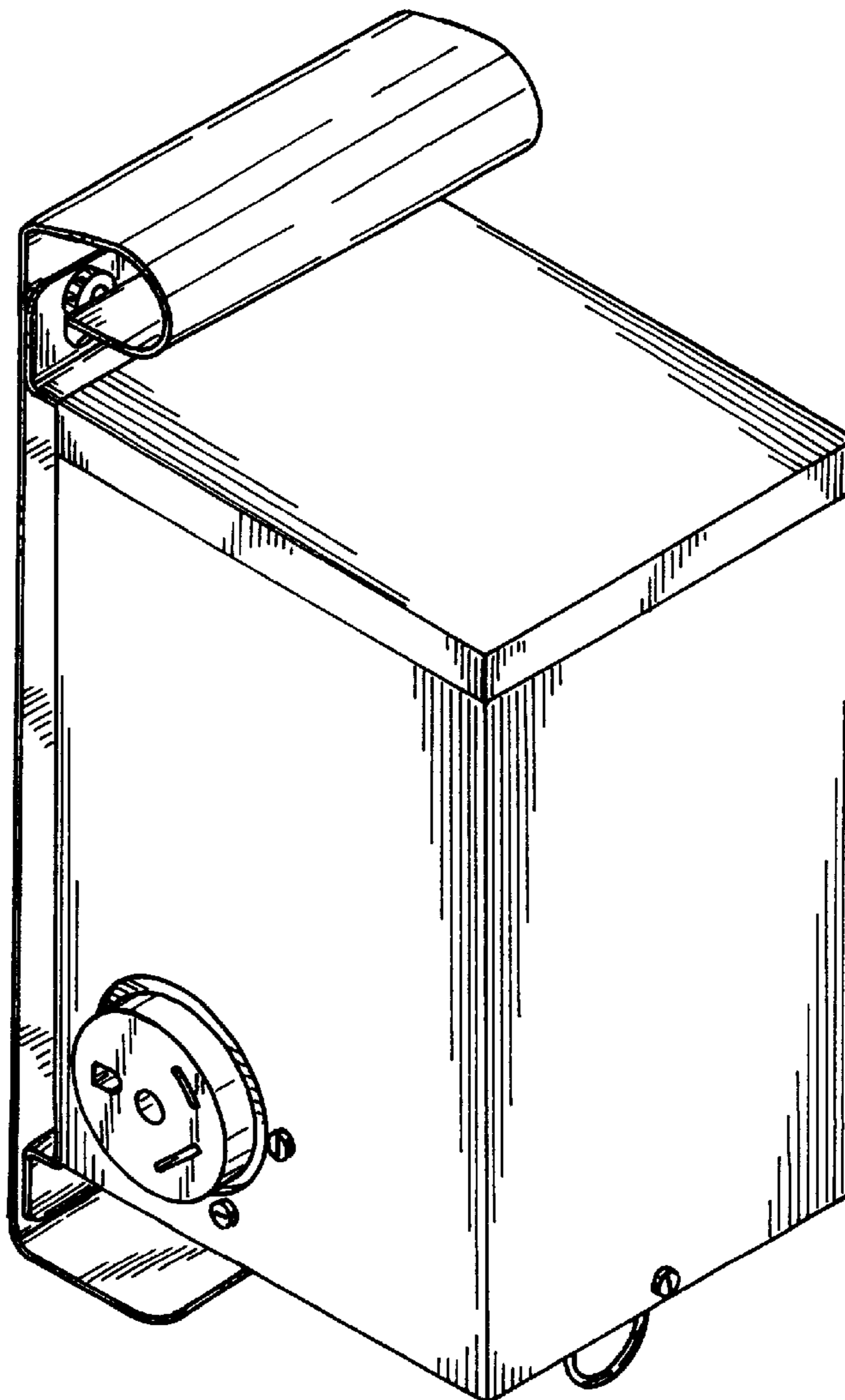


FIG. 1

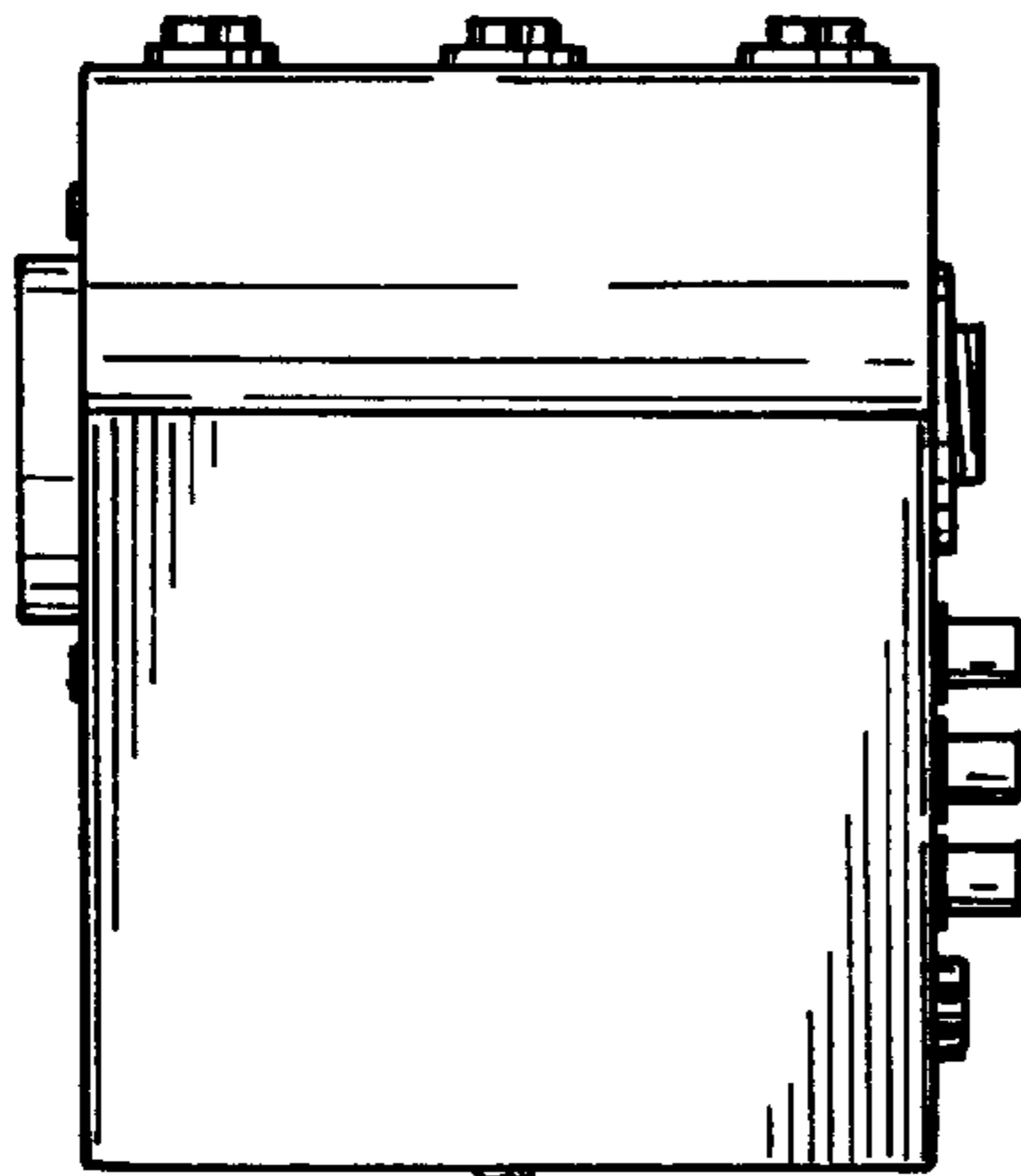
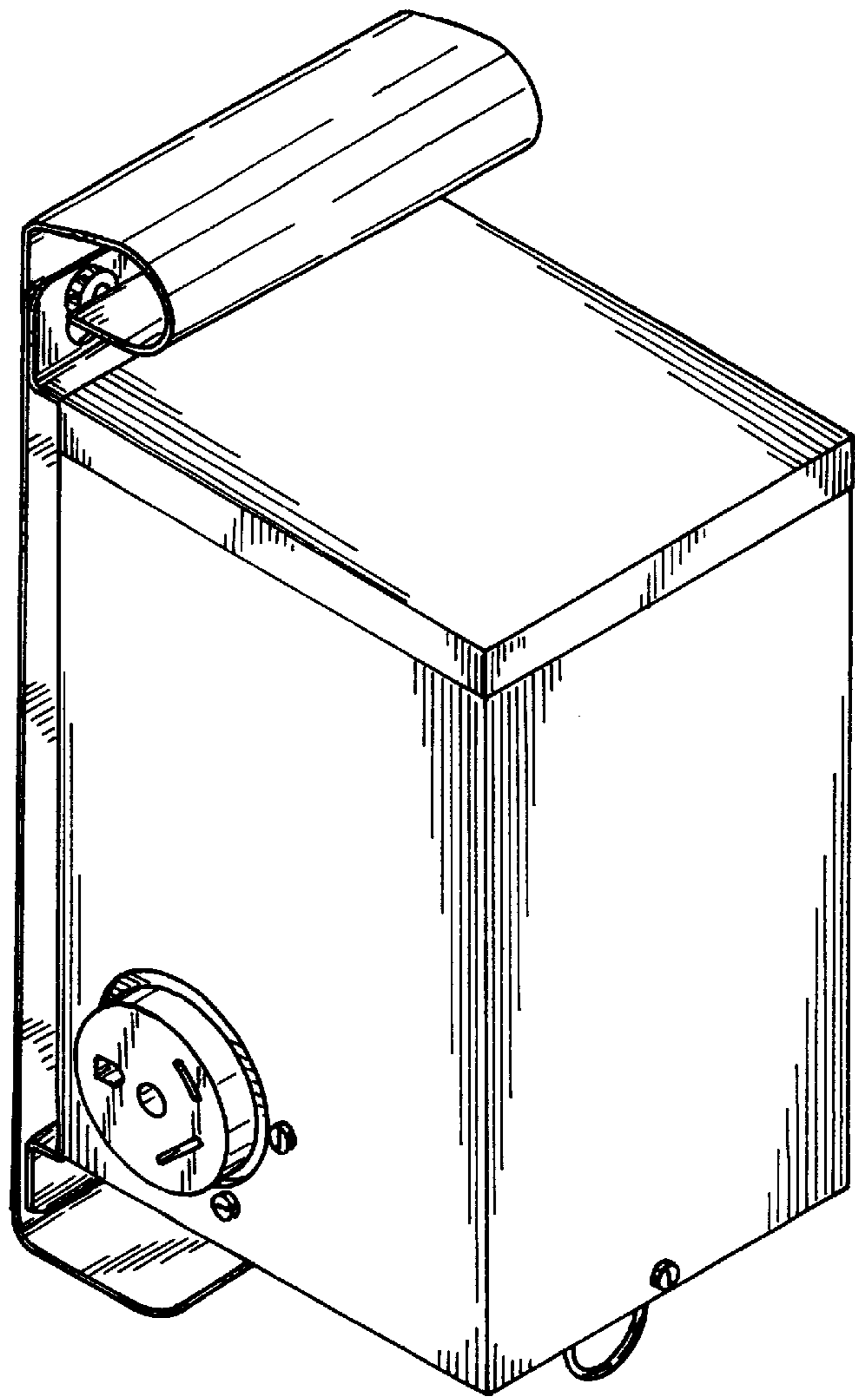


FIG. 2

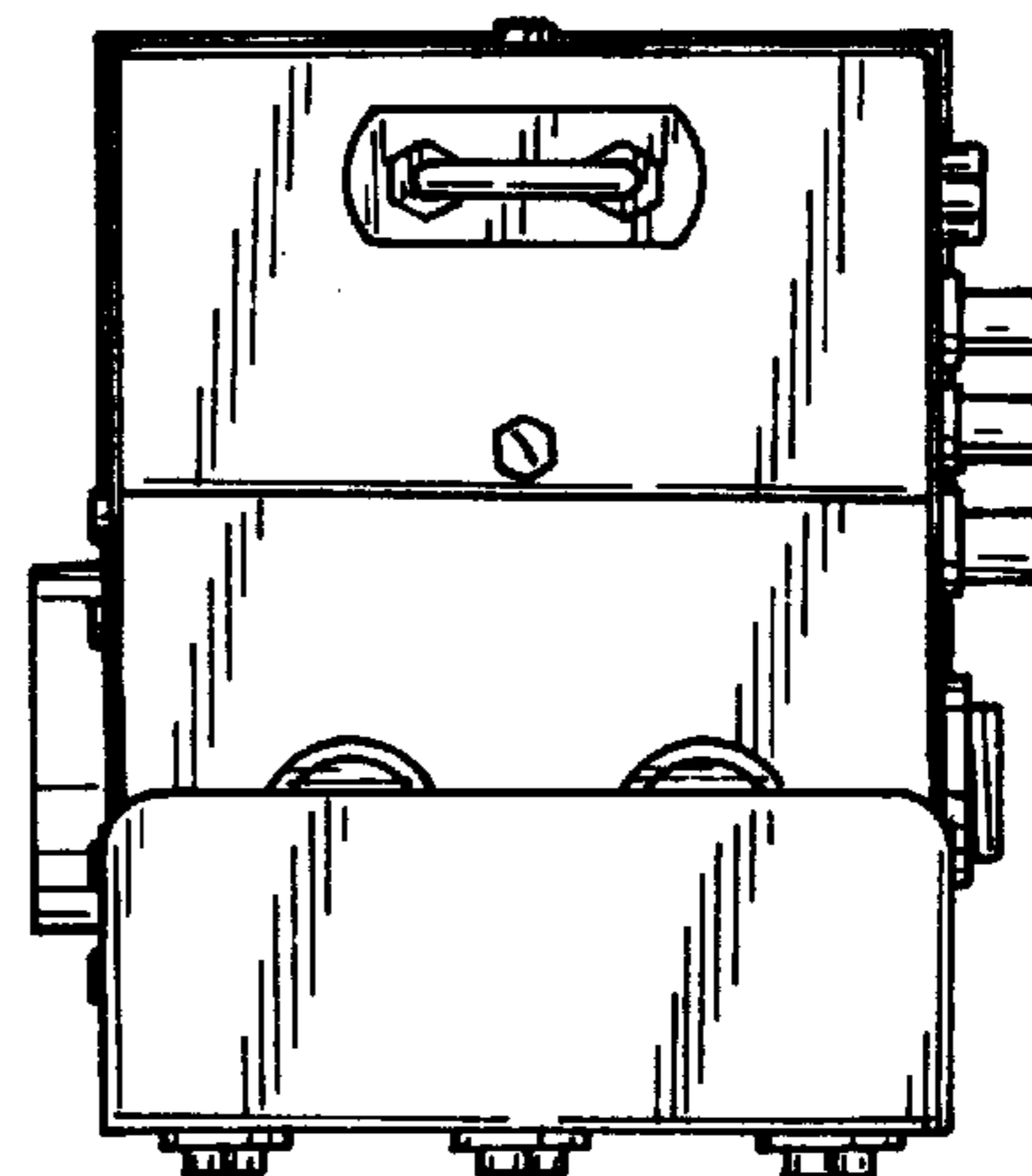


FIG. 7

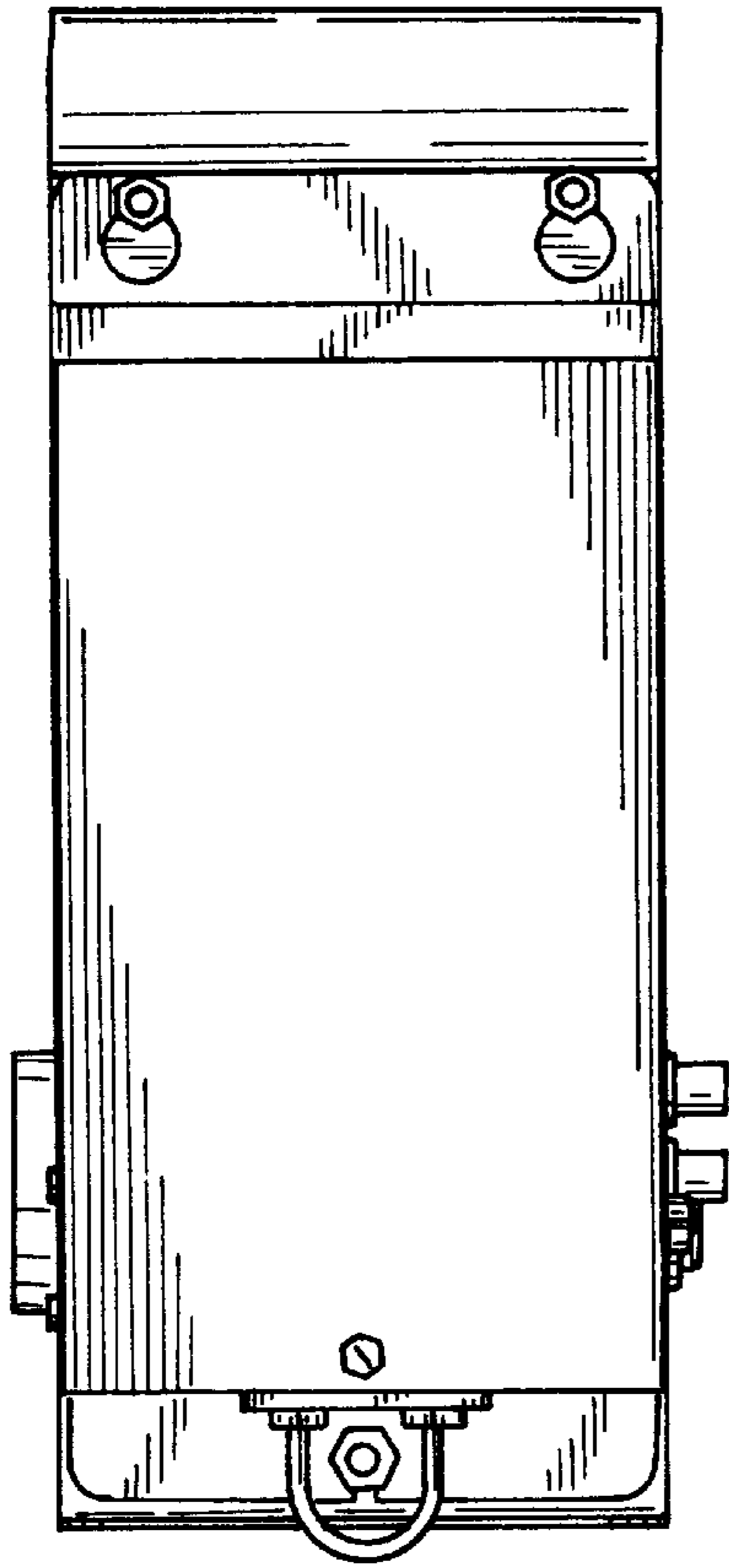


FIG. 3

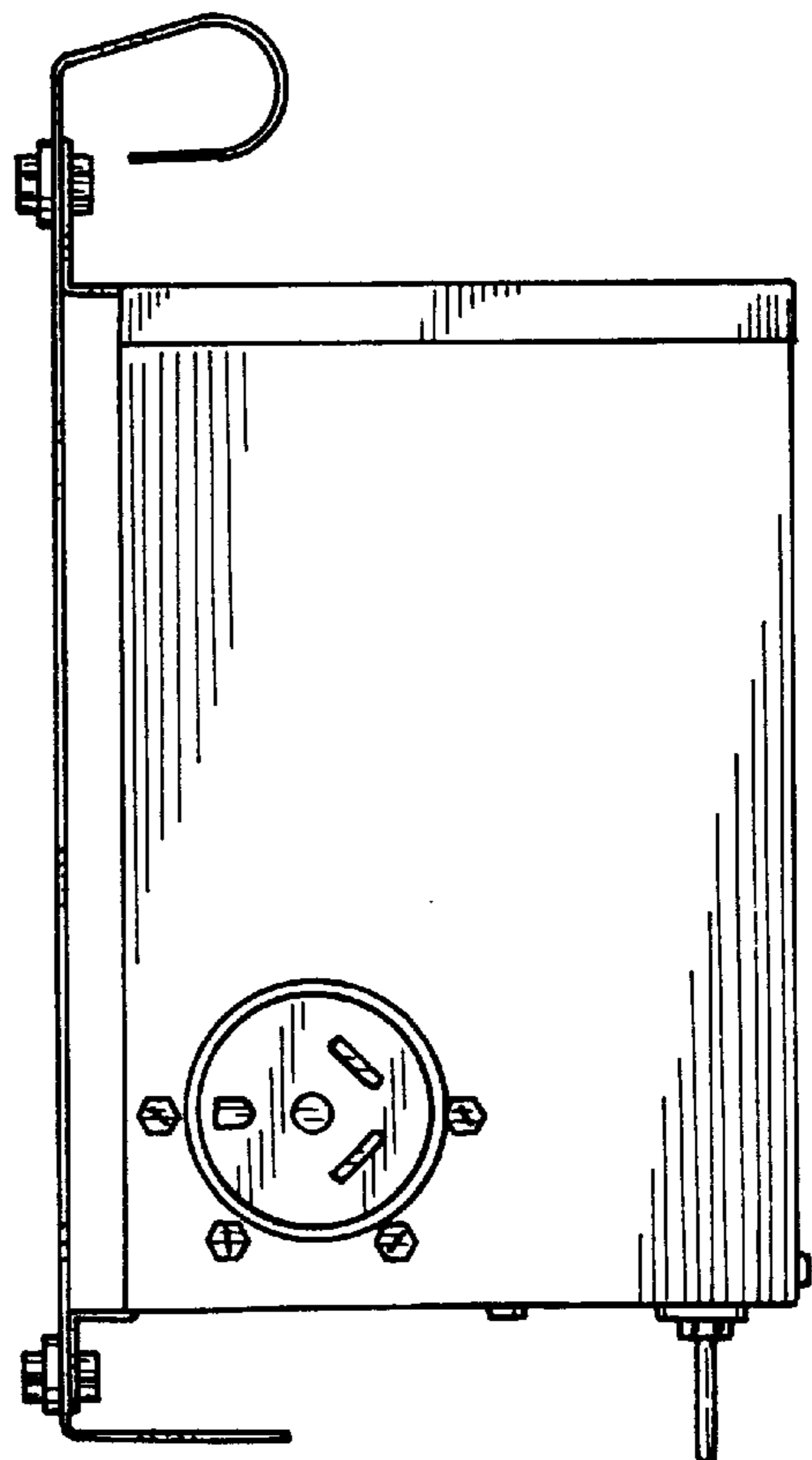


FIG. 4

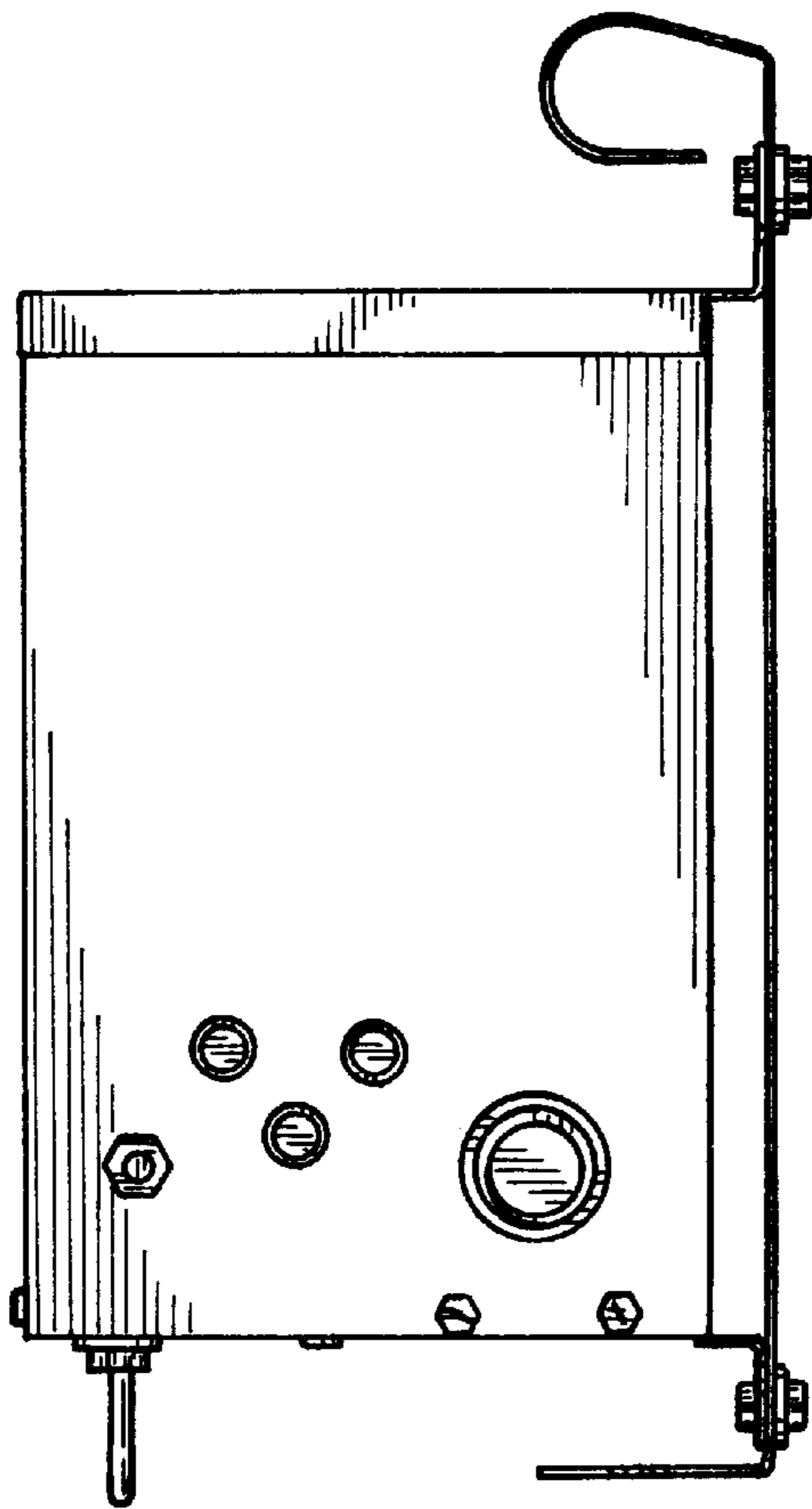


FIG. 5

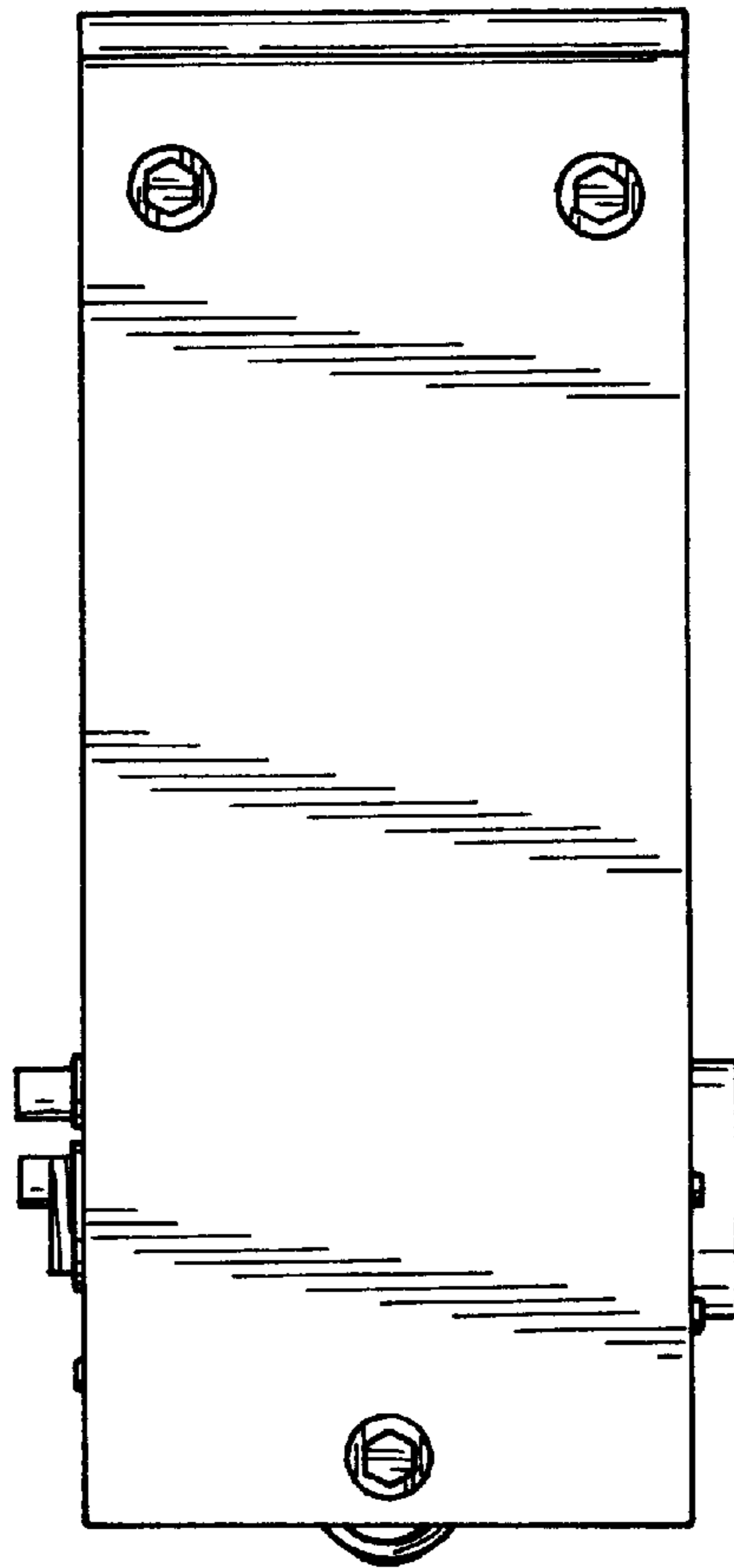


FIG. 6