



US00D414459S

United States Patent [19] Oba

[11] **Patent Number: Des. 414,459**

[45] **Date of Patent: ** Sep. 28, 1999**

[54] **BATTERY CHARGER**

[75] Inventor: **Haruo Oba**, Tokyo, Japan

[73] Assignee: **Sony Corporation**, Tokyo, Japan

[**] Term: **14 Years**

[21] Appl. No.: **29/083,085**

[22] Filed: **Feb. 5, 1998**

[51] **LOC (6) Cl. 13-02**

[52] **U.S. Cl. D13/107**

[58] **Field of Search D13/107, 108,
D13/118; 320/110, 112-115**

[56] **References Cited**

U.S. PATENT DOCUMENTS

5,306,956	4/1994	Ikeda et al.	320/114
5,525,888	6/1996	Toya	320/110
5,592,064	1/1997	Morita	320/110

OTHER PUBLICATIONS

National/Panasonic 1997 catalog, "Pinocchio" (p. 484), May 1997.

Primary Examiner—Joel Sincavage
Attorney, Agent, or Firm—Foley & Lardner

[57] **CLAIM**

The ornamental design for a battery charger, as shown and described.

DESCRIPTION

FIG. 1 is a perspective view of the first embodiment of a battery charger showing my new design;
 FIG. 2 is a top plan view thereof;
 FIG. 3 is a left side elevational view thereof;
 FIG. 4 is a front elevational view thereof;
 FIG. 5 is a bottom plan view thereof;
 FIG. 6 is a right side elevational view thereof;
 FIG. 7 is a rear elevational view thereof; and
 FIG. 8 is a reference perspective view thereof wherein a telephone is resting on the battery charger.
 FIG. 9 is a perspective view of a second embodiment of a battery charger showing my new design;
 FIG. 10 is a top plan view thereof;
 FIG. 11 is a left side elevational view thereof;
 FIG. 12 is a front elevational view thereof;
 FIG. 13 is a bottom plan view thereof;
 FIG. 14 is a right side elevational view thereof;
 FIG. 15 is a rear elevational view thereof; and,
 FIG. 16 is a reference perspective view thereof wherein a telephone is resting on a battery charger.
 The broken line showing of the telephone is included for the purpose of illustrating environmental structure only and forms no part of the claimed design.

1 Claim, 8 Drawing Sheets

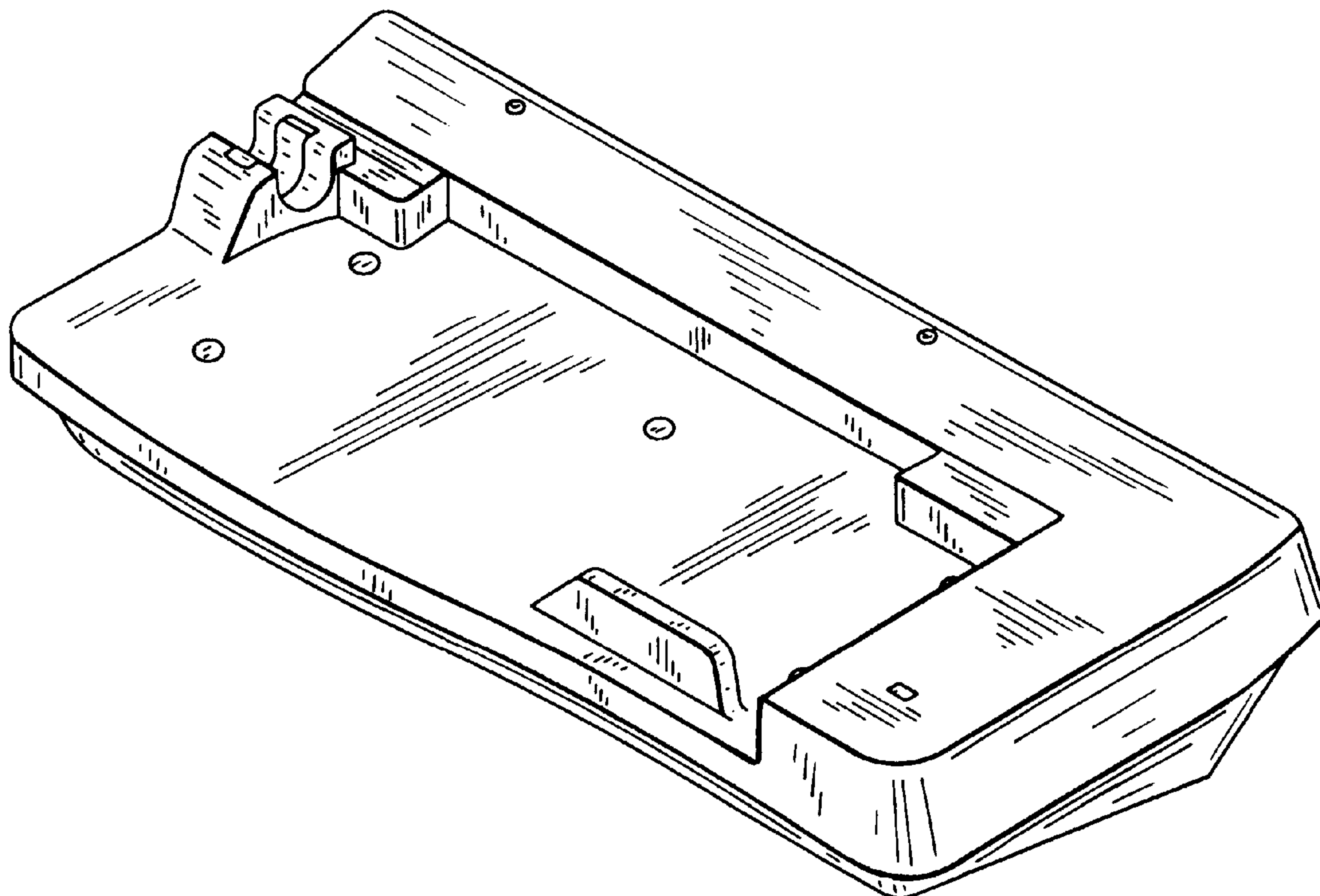


FIG. 1

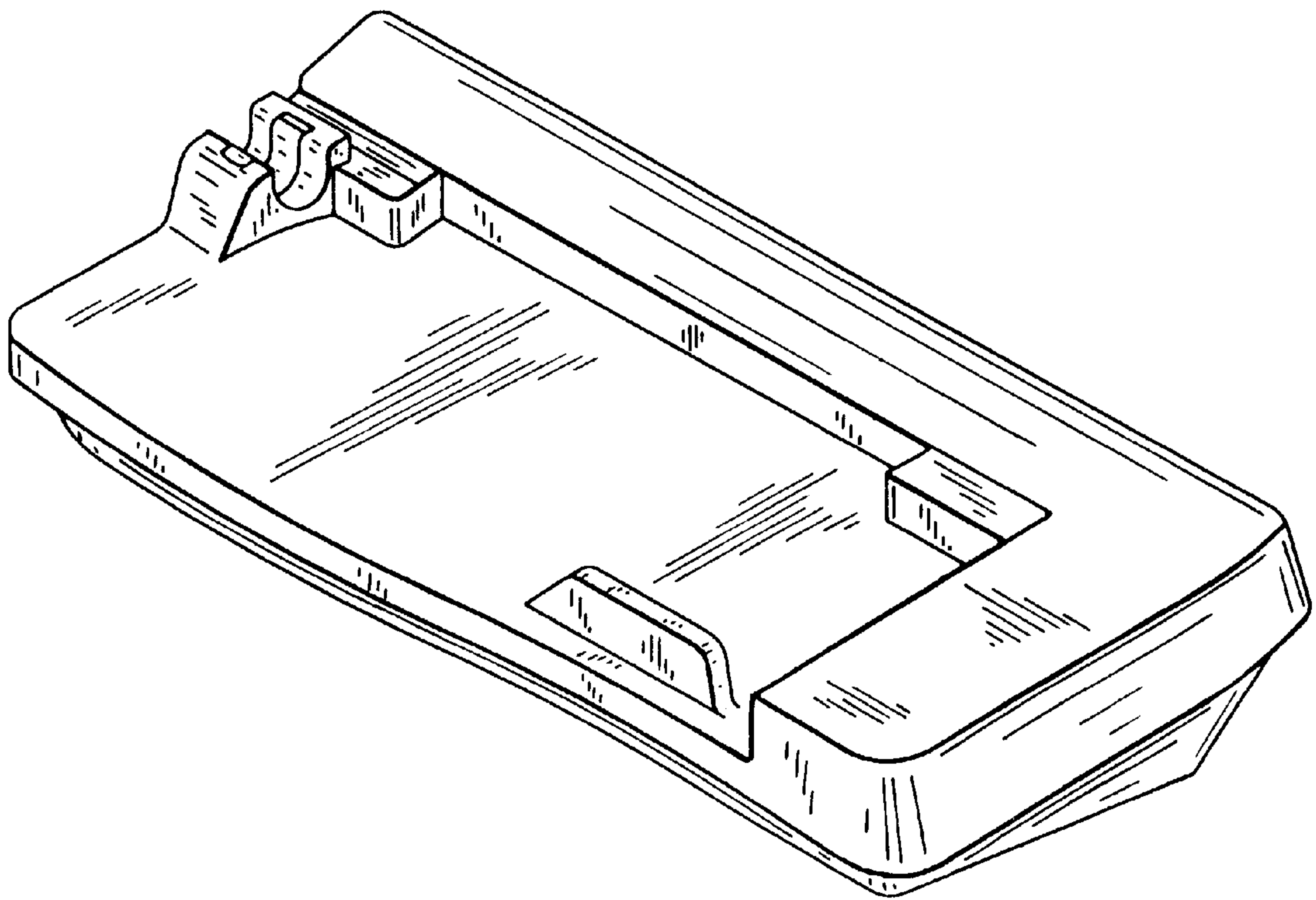


FIG. 2

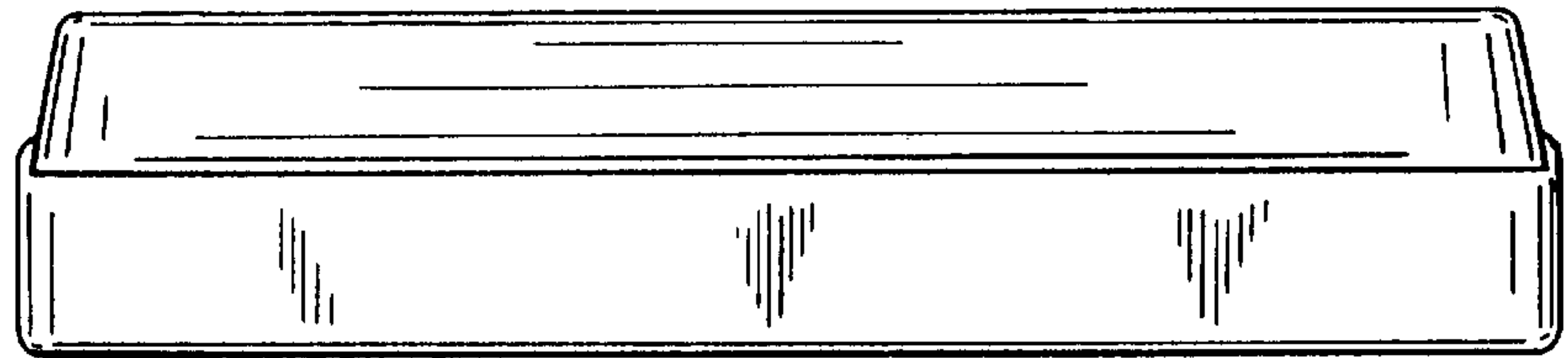


FIG. 3

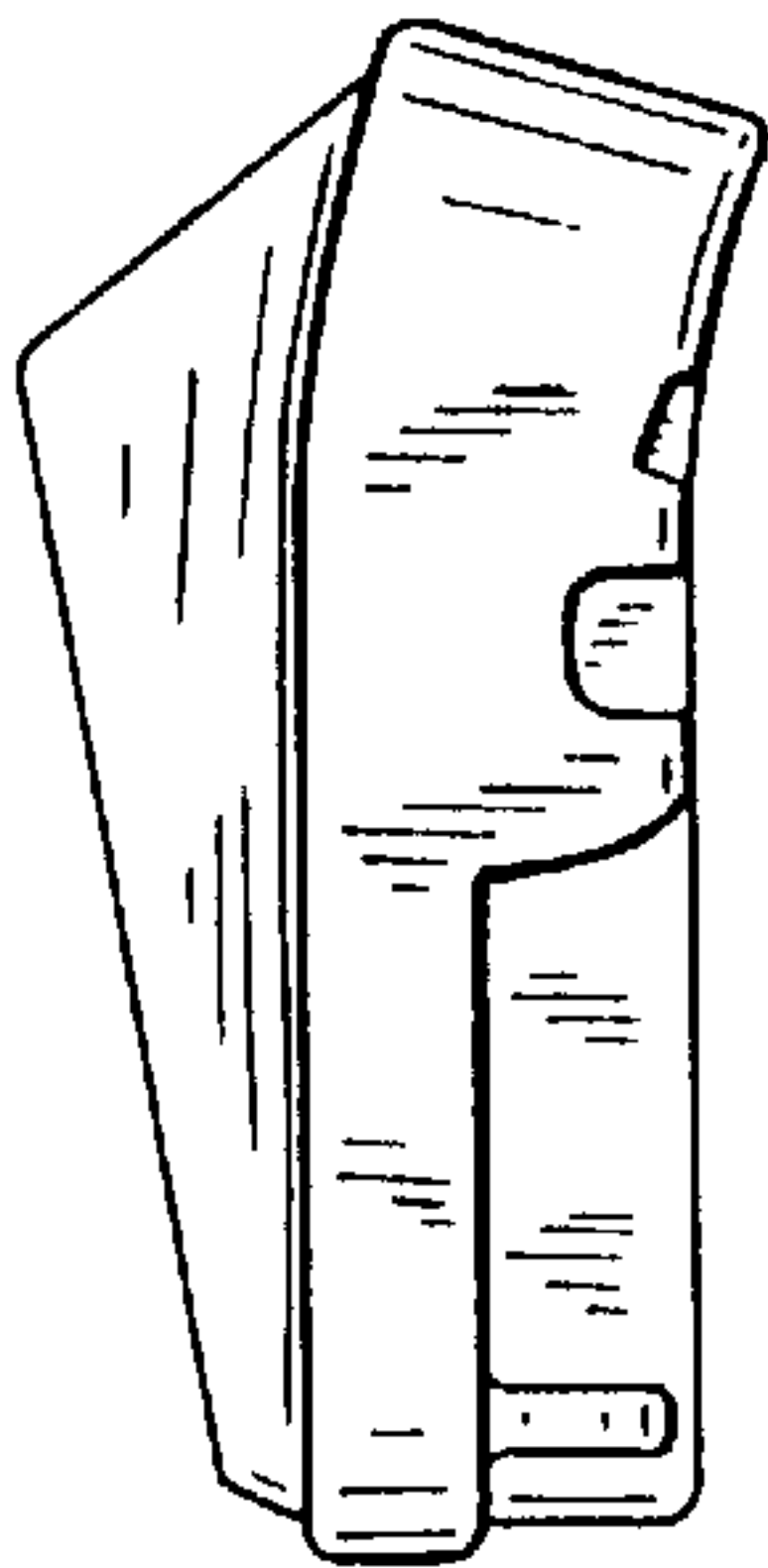


FIG. 4

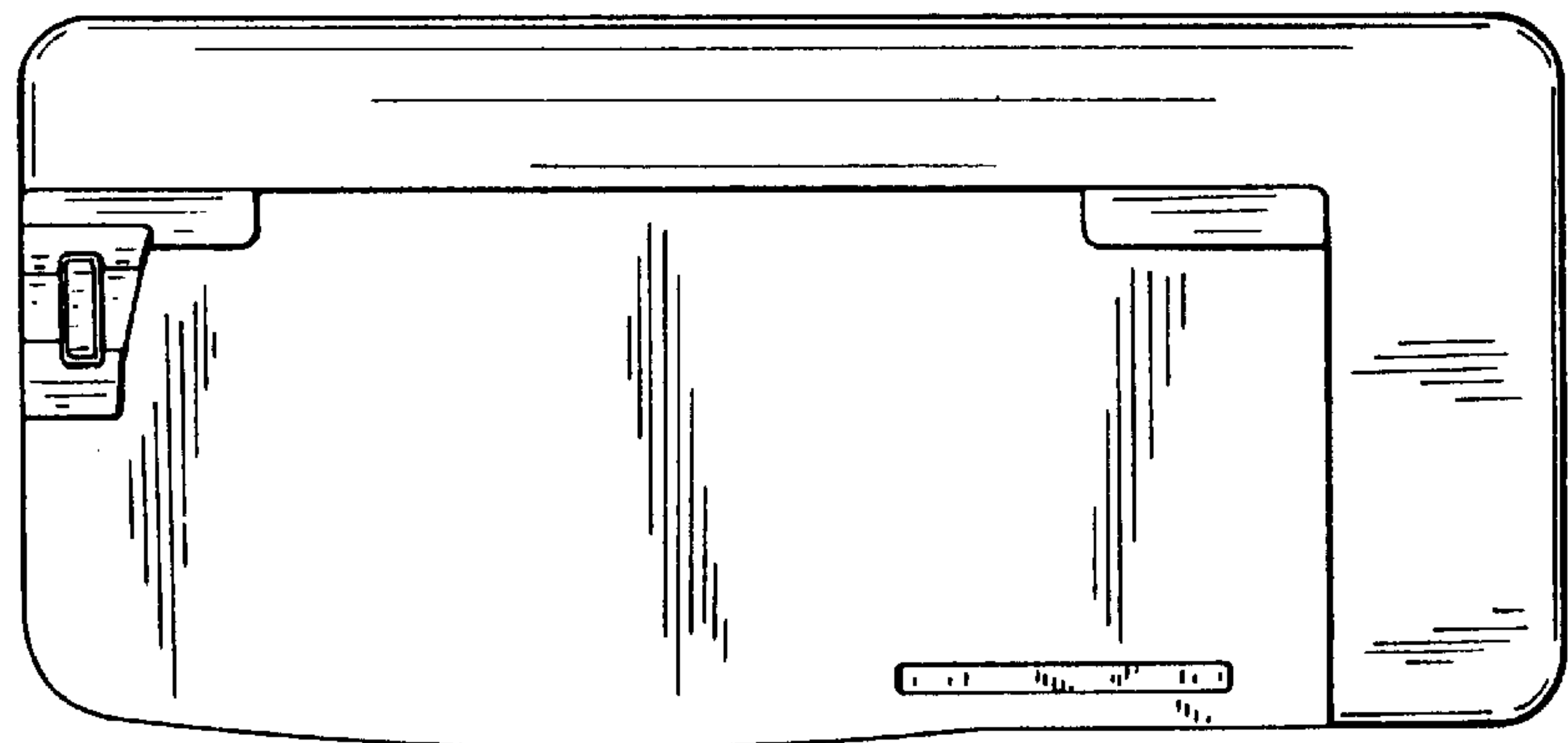


FIG. 5

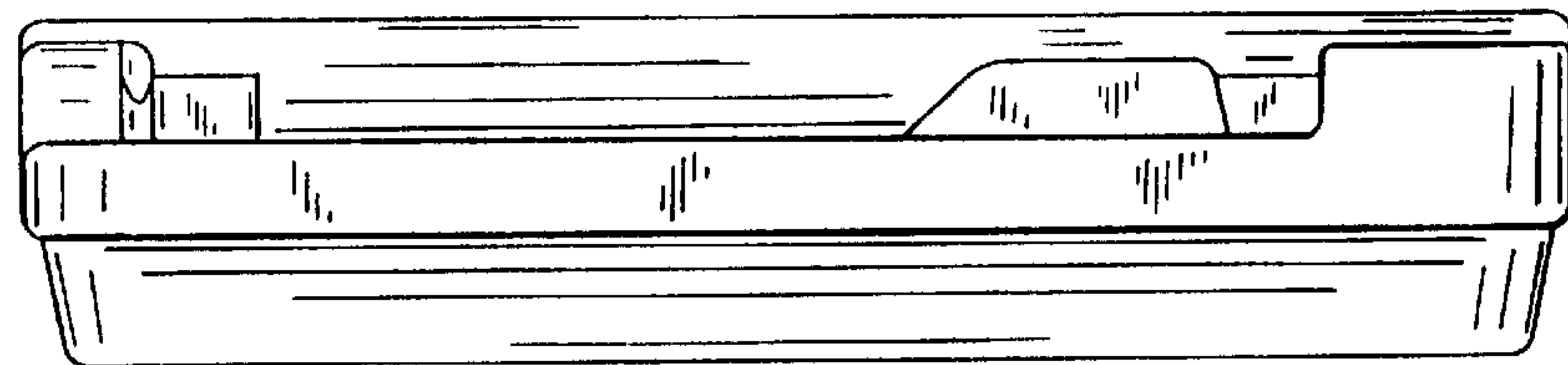


FIG. 6

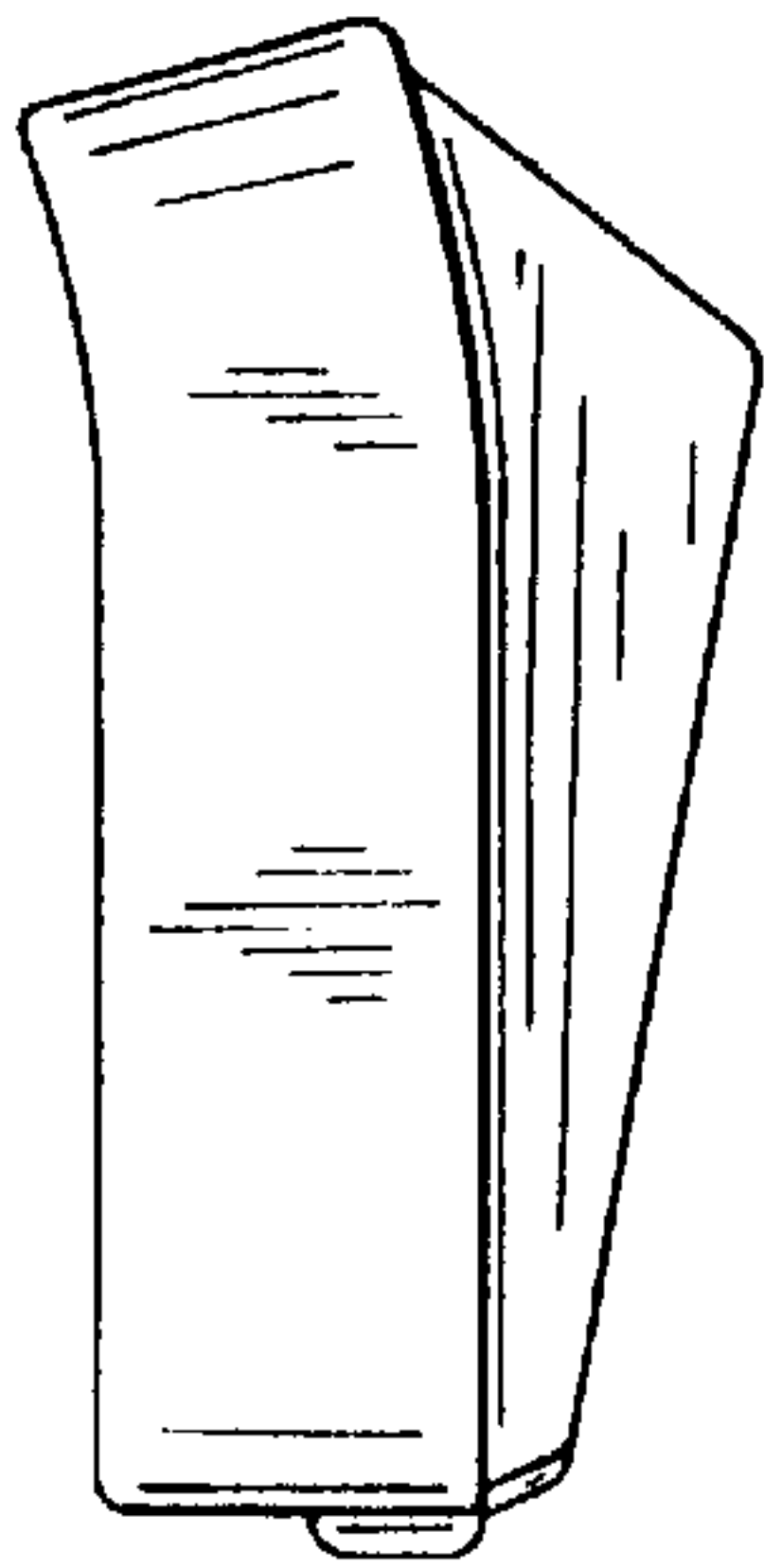


FIG. 7

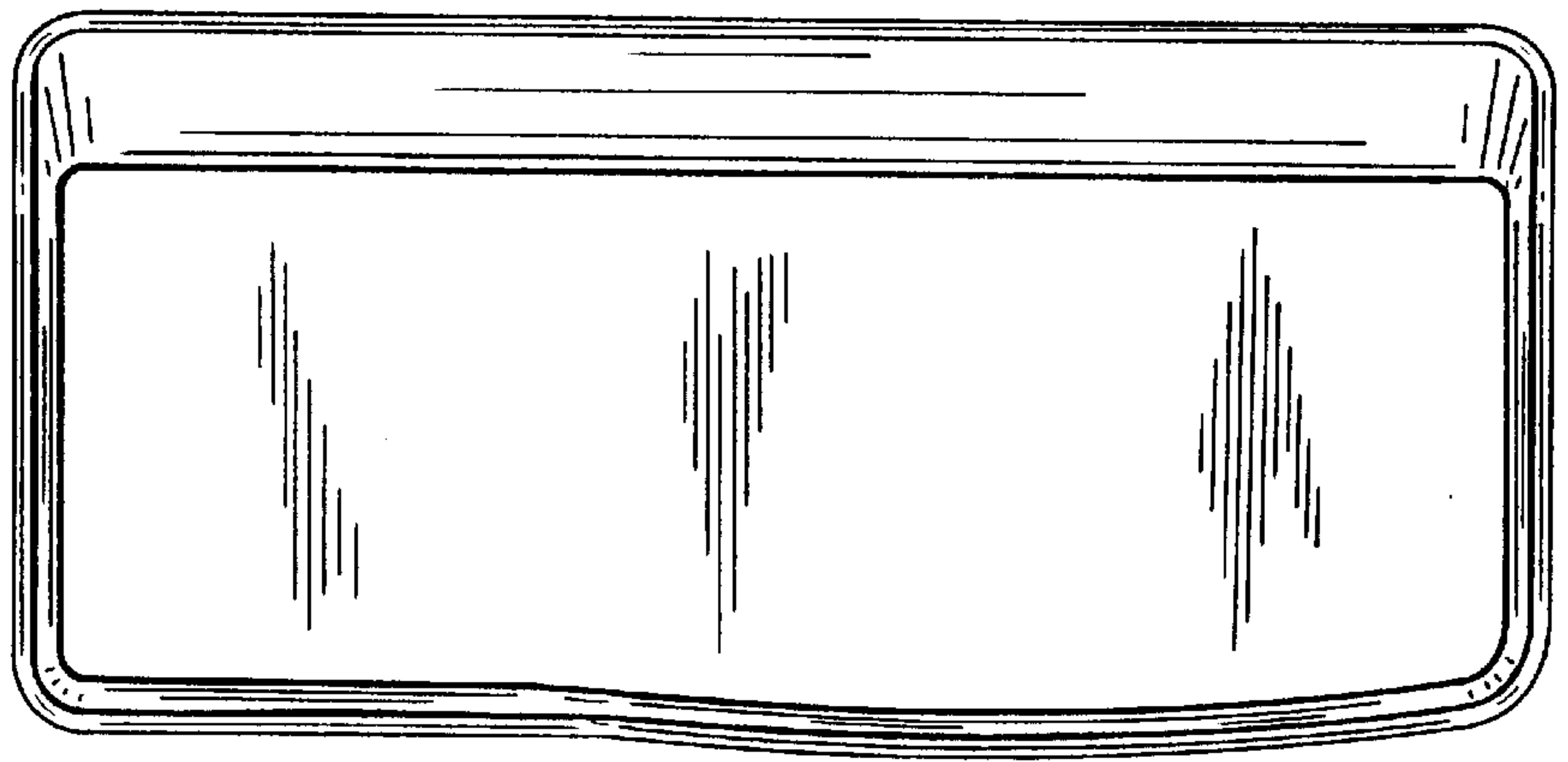


FIG. 8

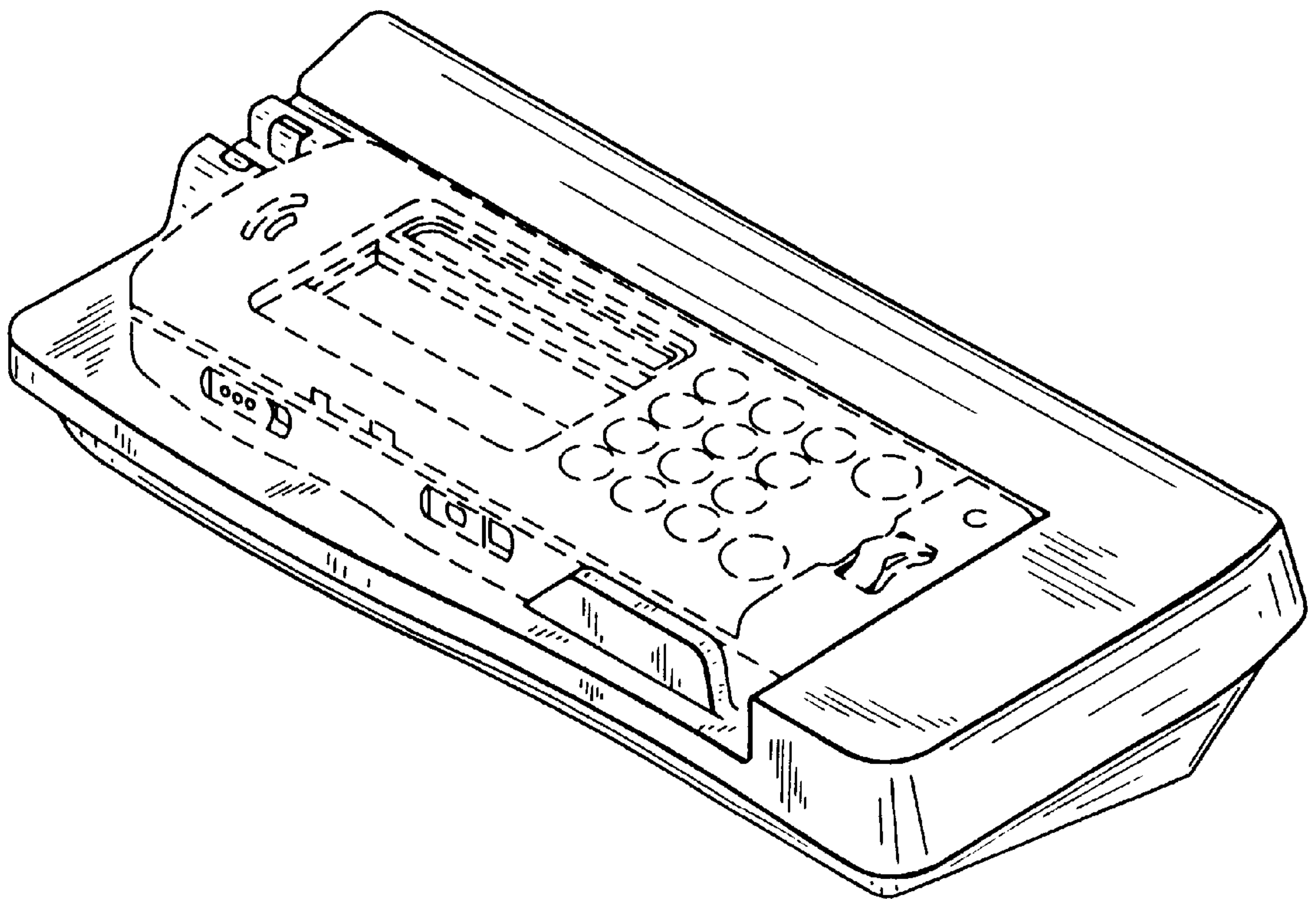


FIG. 9

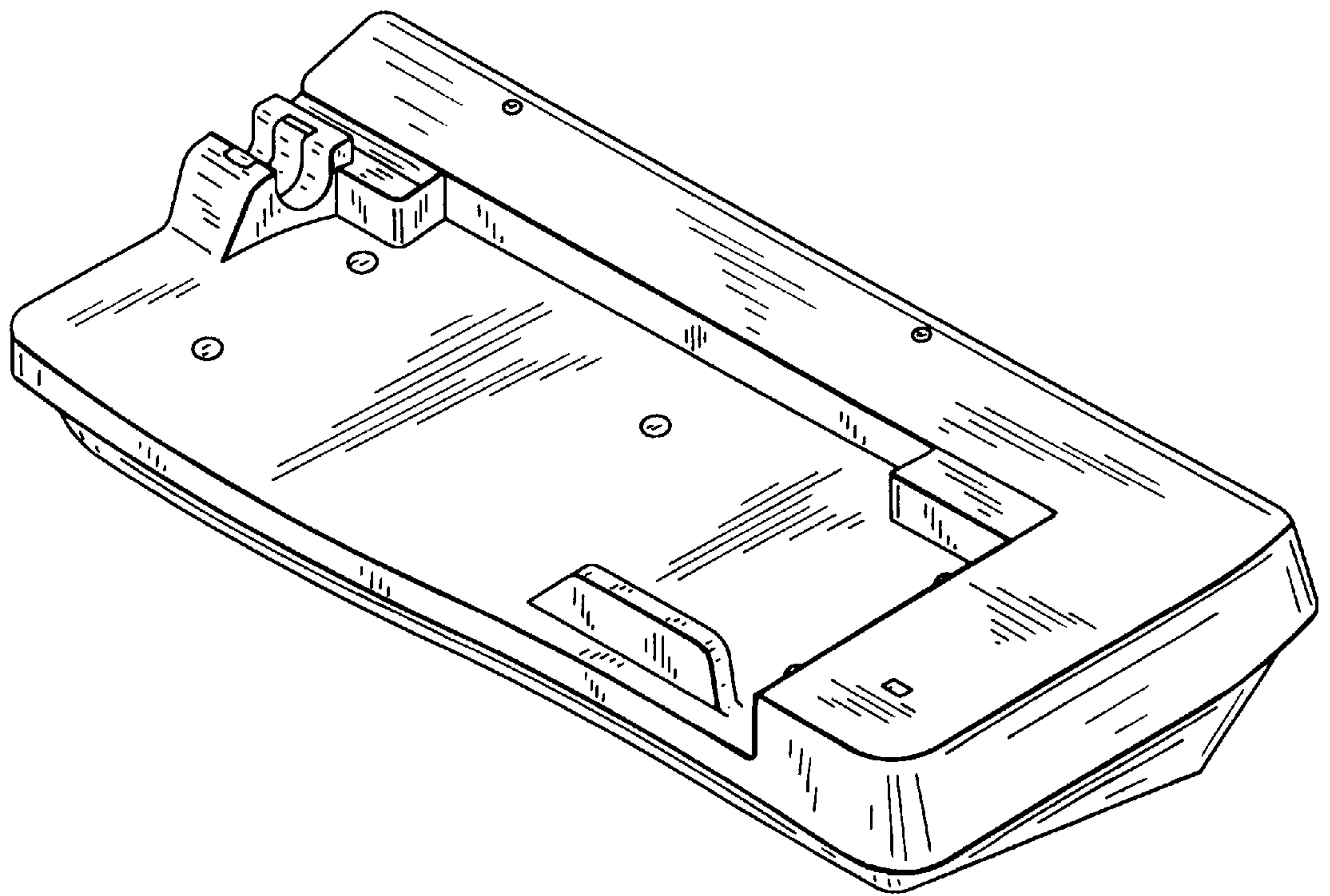


FIG. 10

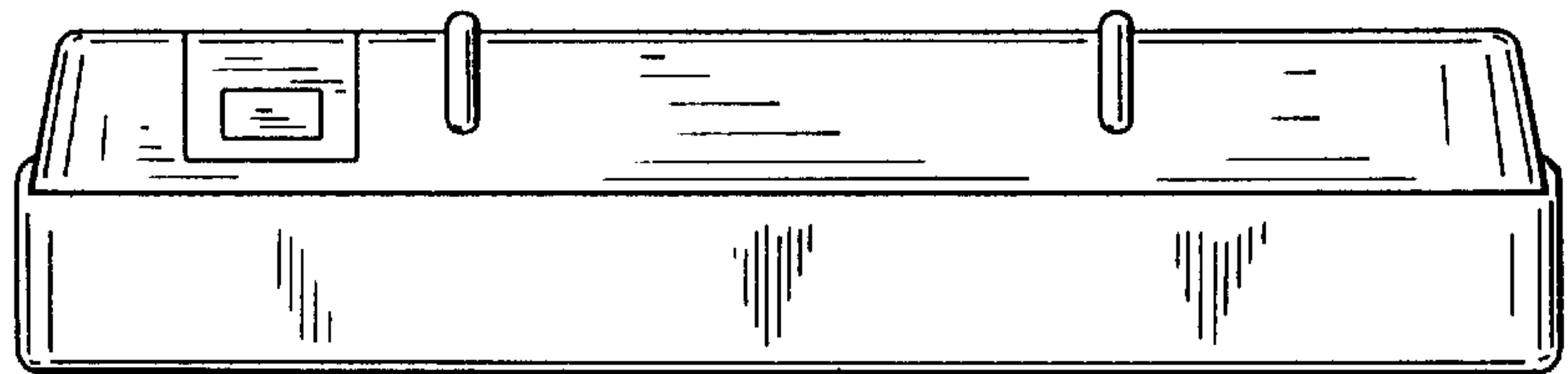


FIG. 11

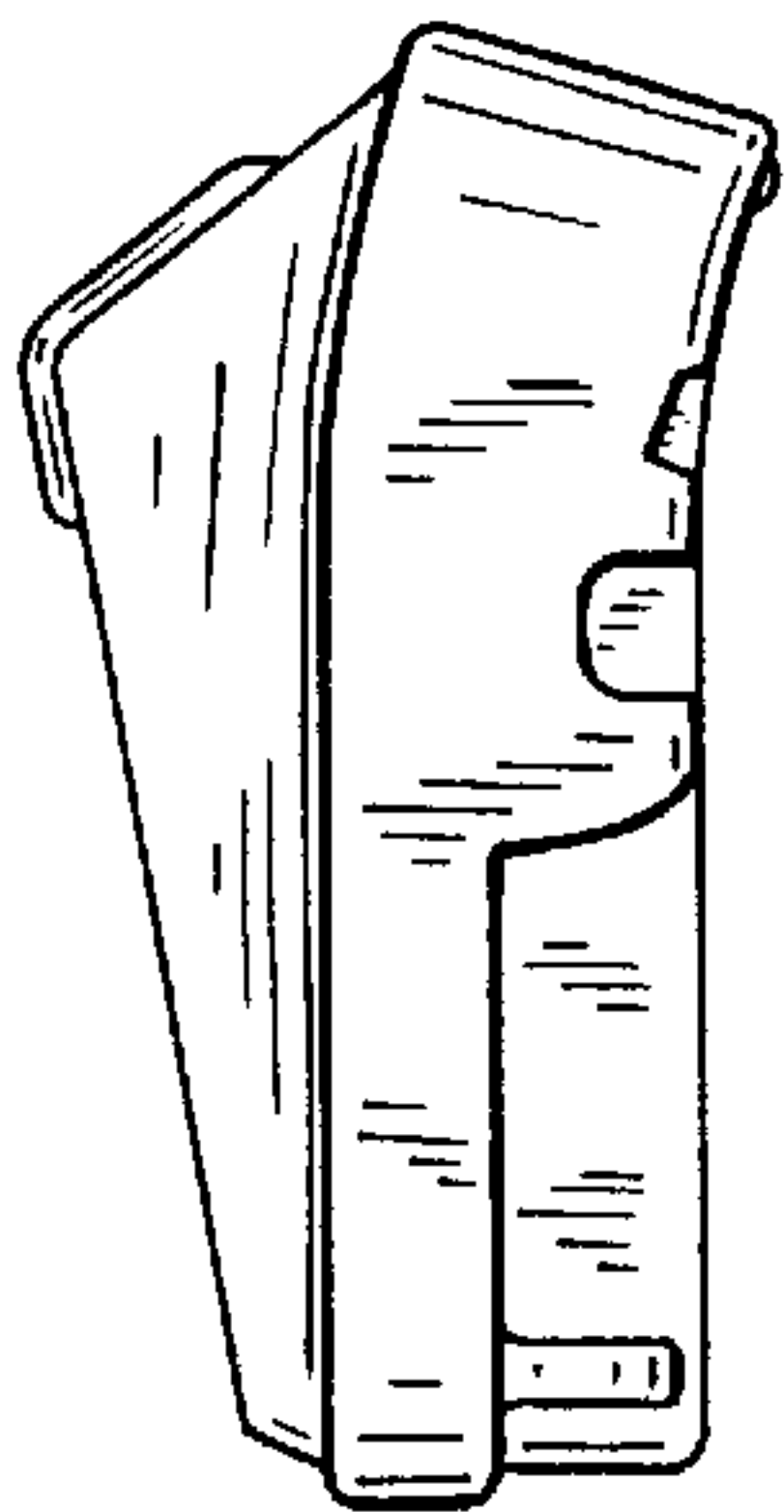


FIG. 12

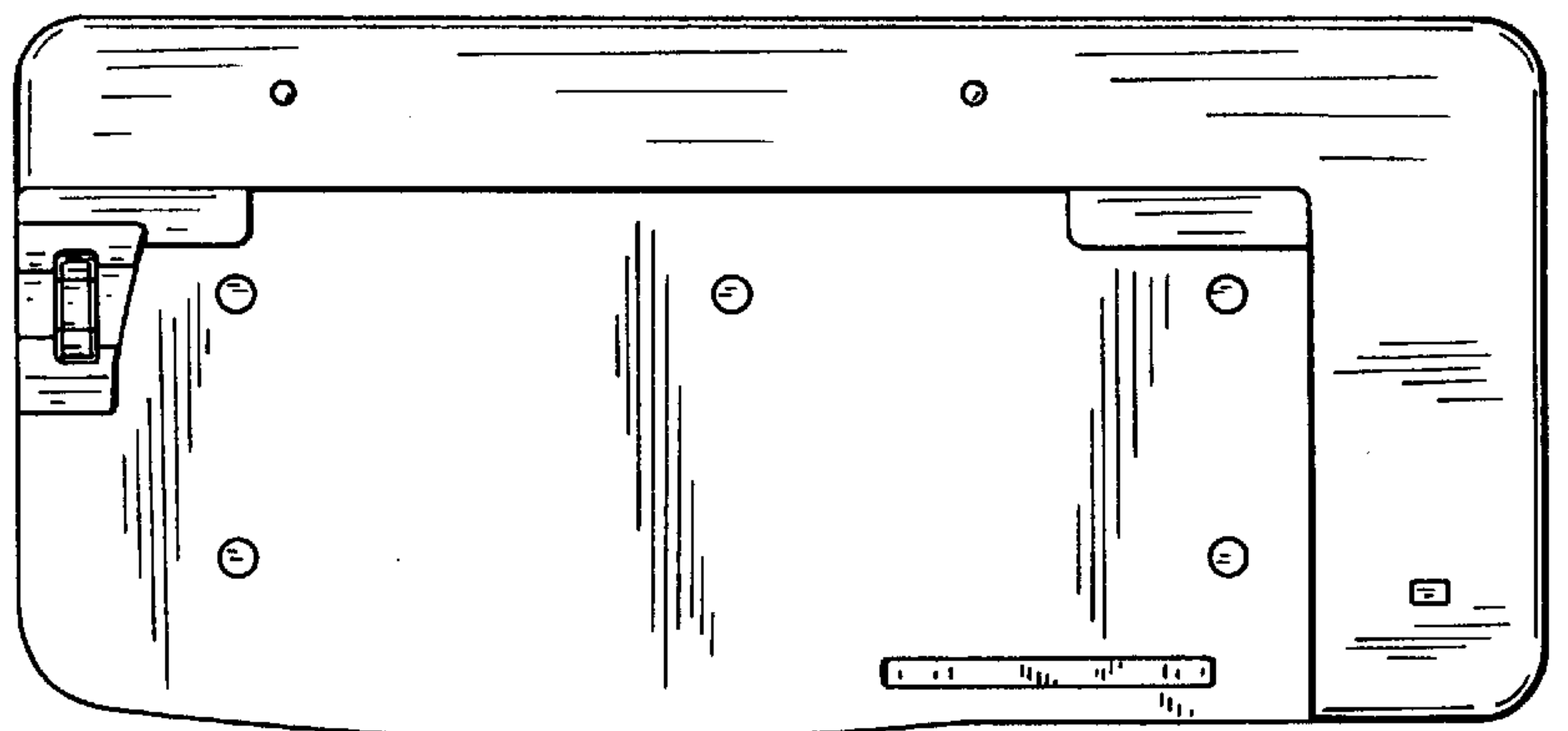


FIG. 13

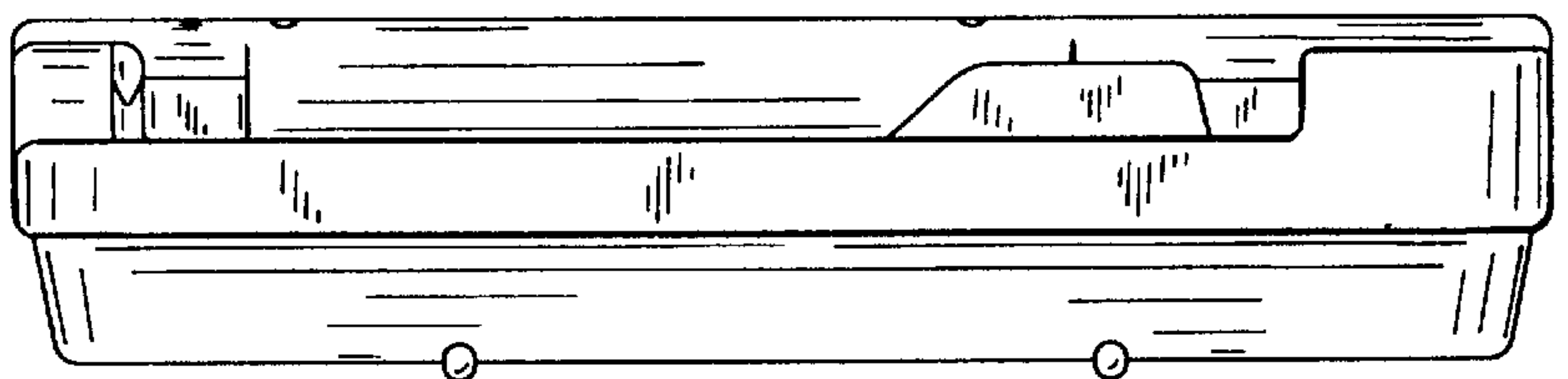


FIG. 14

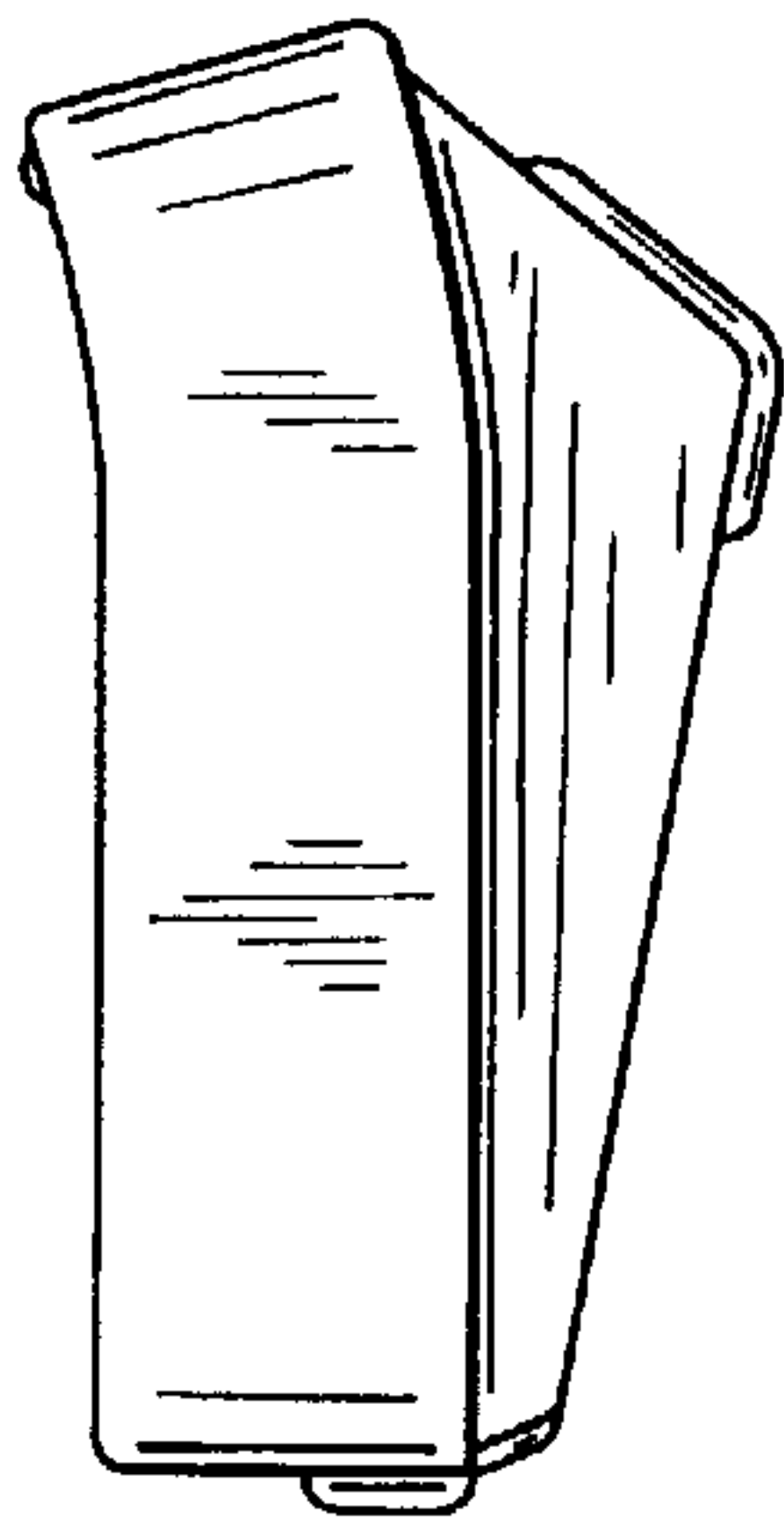


FIG. 15

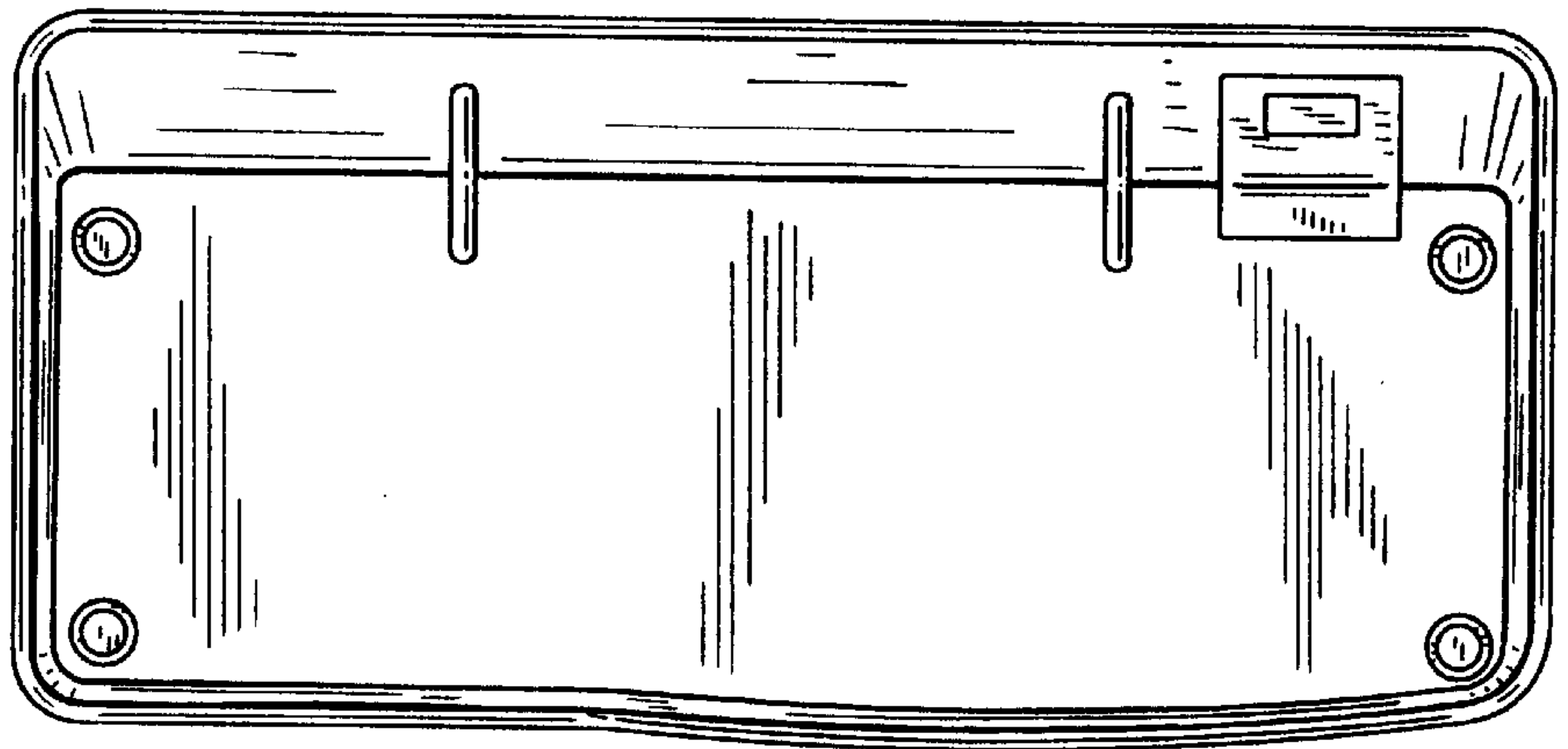


FIG. 16

