



US00D414455S

# United States Patent [19] Perry

[11] **Patent Number: Des. 414,455**

[45] **Date of Patent: \*\* Sep. 28, 1999**

[54] **VEHICLE WHEEL PARKING MAT**

[75] Inventor: **Isaiah Hunter Perry**, Charlotte, N.C.

[73] Assignee: **Peridigm, Inc.**, Charlotte, N.C.

[\*\*] Term: **14 Years**

[21] Appl. No.: **29/099,360**

[22] Filed: **Jan. 20, 1999**

[51] **LOC (6) Cl.** ..... **12-06**

[52] **U.S. Cl.** ..... **D12/217**

[58] **Field of Search** ..... D12/400, 114,  
D12/217, 120; 188/4 R, 32; 267/139, 140;  
280/293; 410/30, 49

[56] **References Cited**

**U.S. PATENT DOCUMENTS**

D. 253,408	11/1979	Sargent	.....	D12/217
D. 280,611	9/1985	Nelson	.....	D12/217
D. 314,938	2/1991	Anderson	.....	D12/217
D. 343,821	2/1994	Bush et al.	.....	D12/217
D. 350,525	9/1994	Robinson	.....	D12/217

D. 366,443	1/1996	Bach et al.	.....	D12/217
D. 401,210	11/1998	Chiang	.....	D12/217
2,730,196	1/1956	Besoyan	.....	188/4 R
2,810,459	10/1957	Nitz	.....	188/32
5,266,378	11/1993	Stephenson et al.	.....	188/32

*Primary Examiner*—Doris V. Coles  
*Assistant Examiner*—Stacia Sinuik

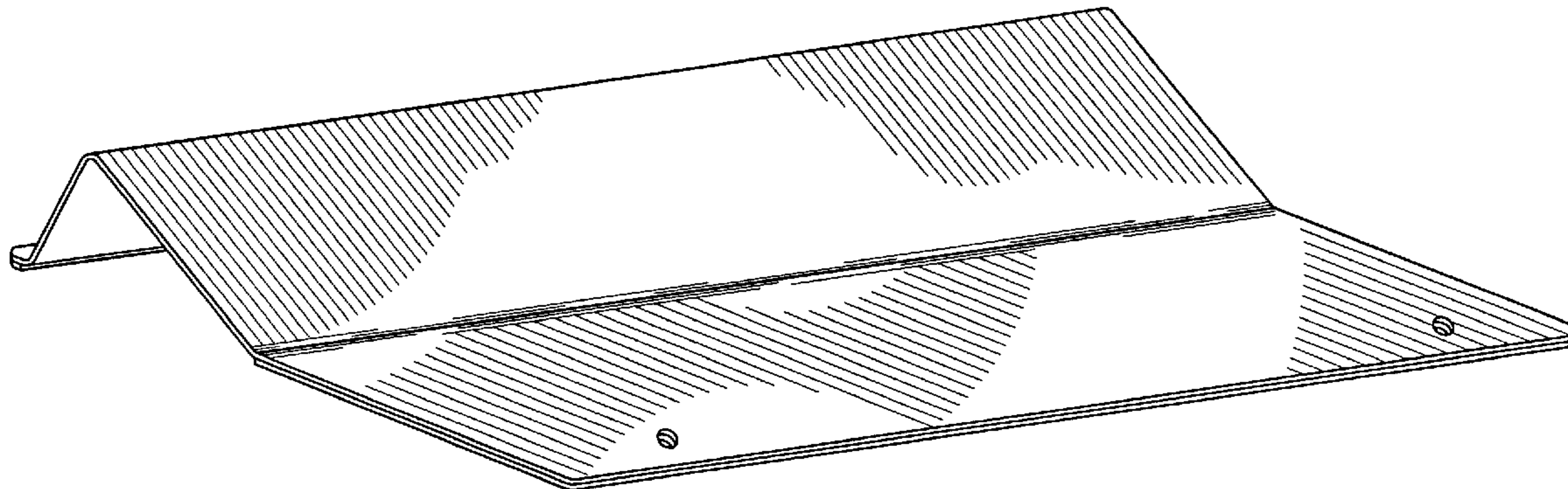
[57] **CLAIM**

The ornamental design for a vehicle wheel parking mat, as shown and described.

**DESCRIPTION**

FIG. 1 is a perspective view of a vehicle wheel parking mat showing my new design;  
FIG. 2 is a reduced front elevational view thereof;  
FIG. 3 is a reduced rear elevational view thereof;  
FIG. 4 is a reduced plan view thereof;  
FIG. 5 is a reduced bottom plan view thereof; and,  
FIG. 6 is a reduced left elevational view thereof, the right side being a mirror image.

**1 Claim, 2 Drawing Sheets**



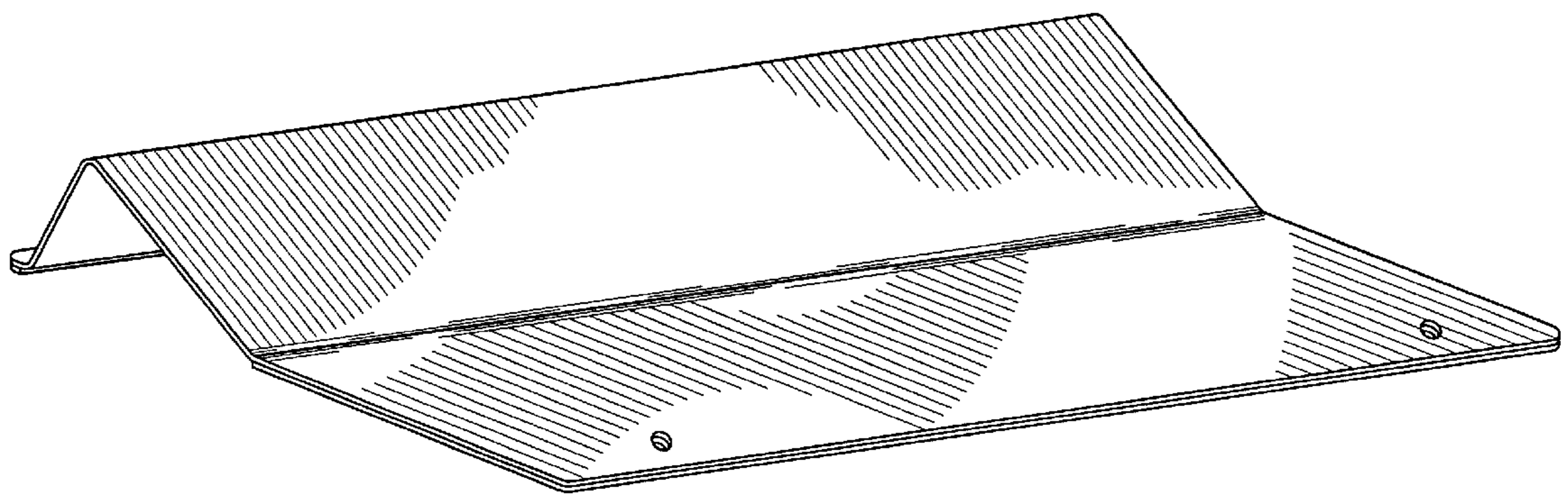


Fig. 1

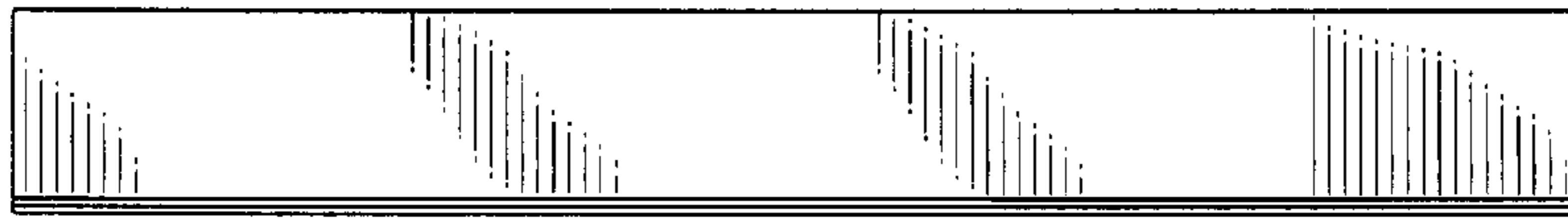


Fig. 2

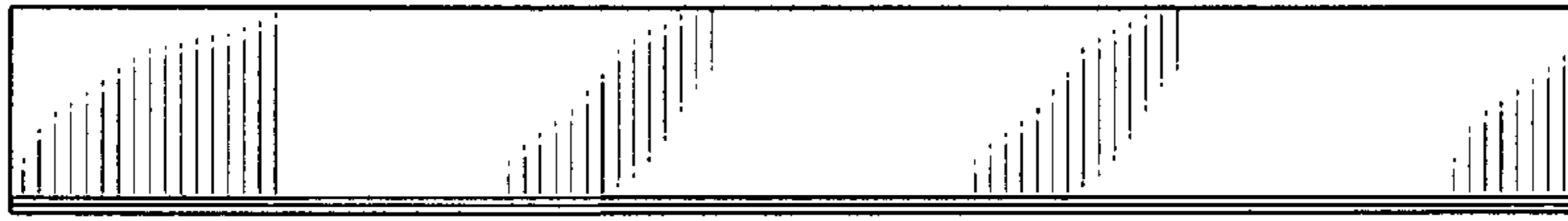


Fig. 3

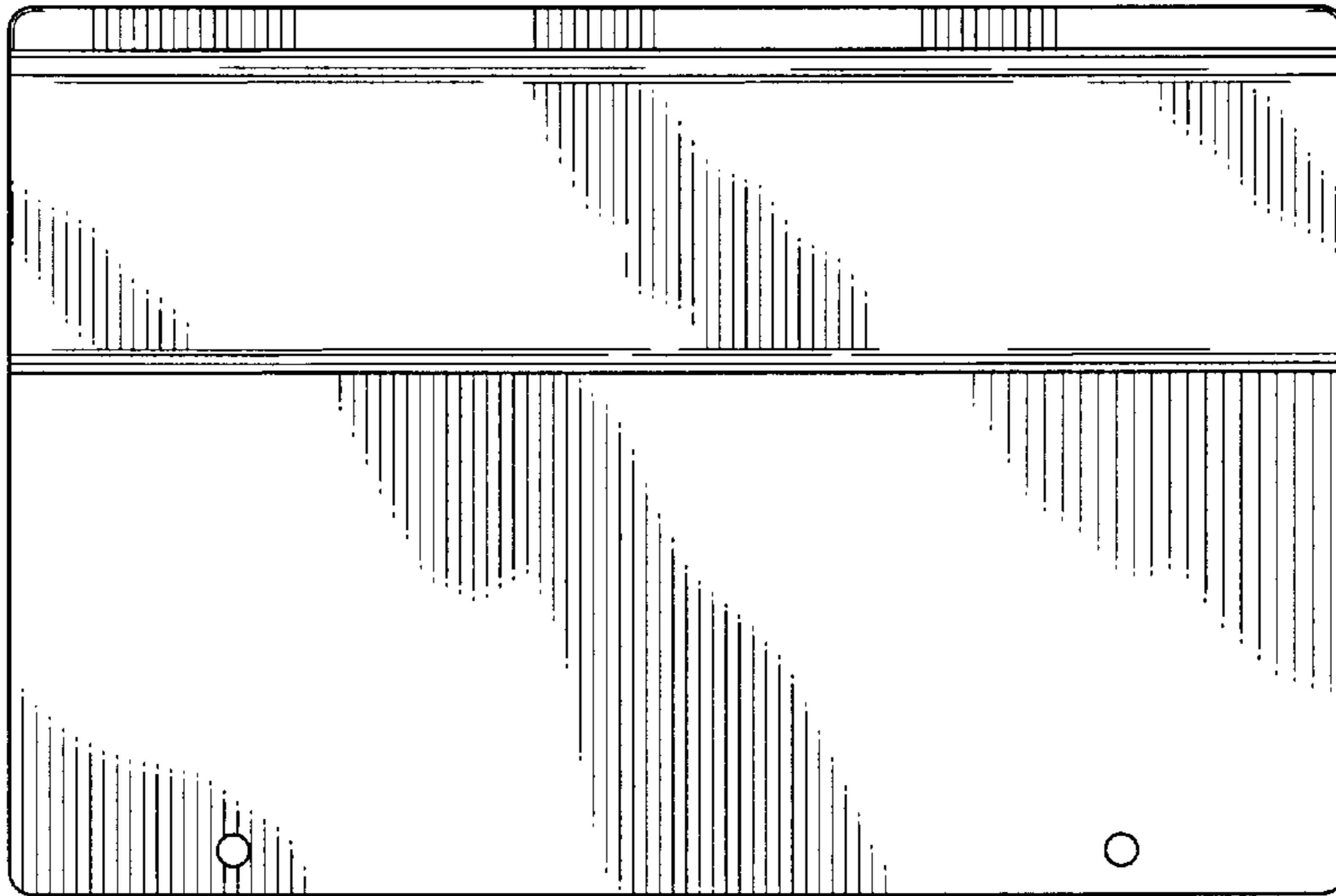


Fig. 4

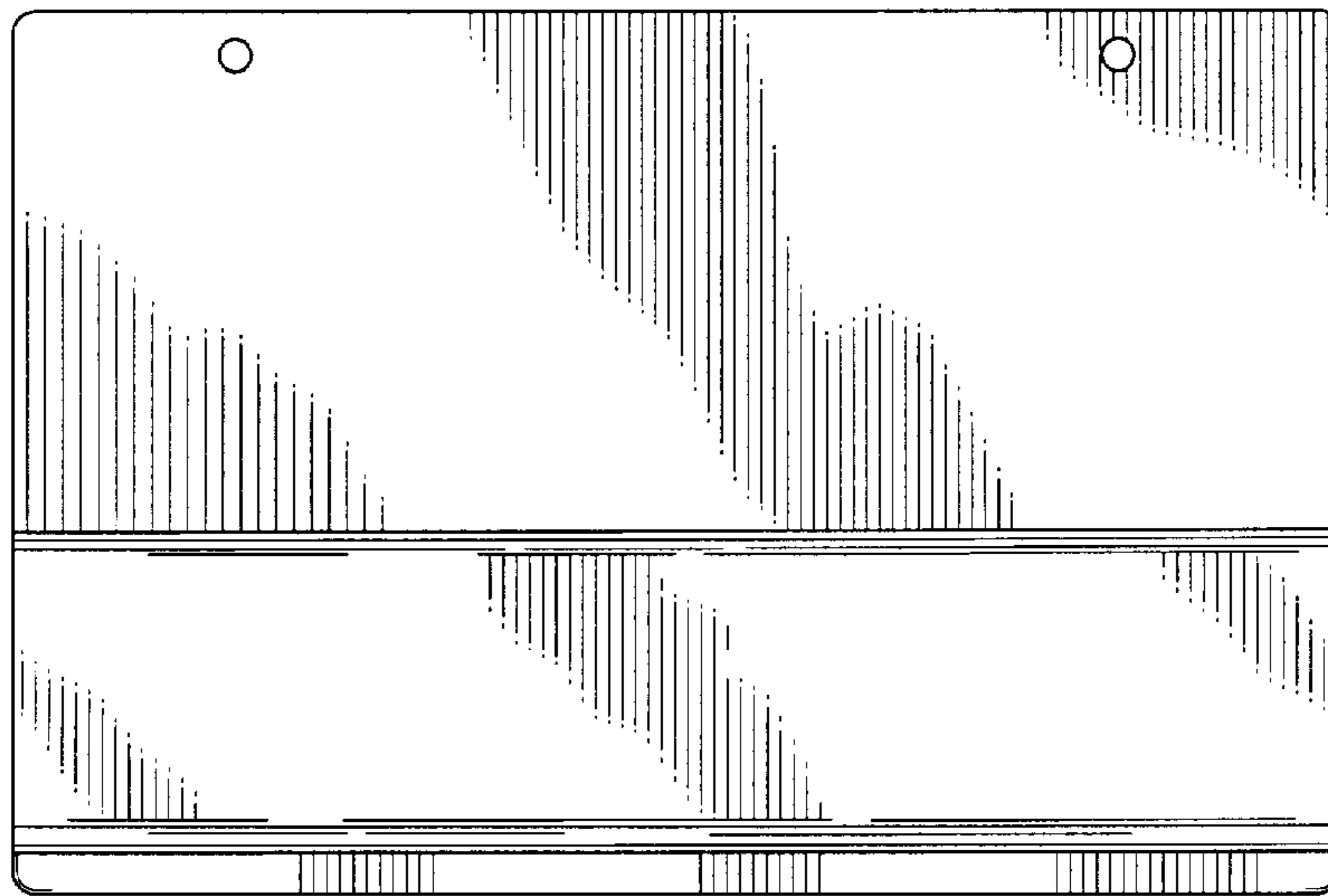


Fig. 5



Fig. 6