



US00D414454S

# United States Patent [19] Chung

[11] Patent Number: **Des. 414,454**

[45] Date of Patent: **\*\* Sep. 28, 1999**

[54] **AUTOMOTIVE WHEEL**

[75] Inventor: **Suny Chung**, Placentia, Calif.

[73] Assignee: **DM Tech America, Inc.**, Cerritos, Calif.

[\*\*] Term: **14 Years**

[21] Appl. No.: **29/101,869**

[22] Filed: **Mar. 12, 1999**

[51] **LOC (6) Cl.** ..... **12-16**

[52] **U.S. Cl.** ..... **D12/211**

[58] **Field of Search** ..... D12/204-213;  
301/64.1, 65, 37.1

[56] **References Cited**

**U.S. PATENT DOCUMENTS**

- D. 339,561 9/1993 Maiworm et al. .... D12/211
- D. 344,924 3/1994 Braungart et al. .... D12/211
- D. 352,688 11/1994 Boselli ..... D12/211

- D. 375,075 10/1996 Kugler ..... D12/209
- D. 396,208 7/1998 Baumgartner et al. .... D12/211
- D. 402,251 12/1998 Timm ..... D12/211
- D. 403,649 1/1999 Moreno ..... D12/211
- D. 405,749 2/1999 Kulla ..... D12/211

*Primary Examiner*—Doris V. Coles  
*Assistant Examiner*—Stacia Sinuik  
*Attorney, Agent, or Firm*—G. Donald Weber, Jr.

[57] **CLAIM**

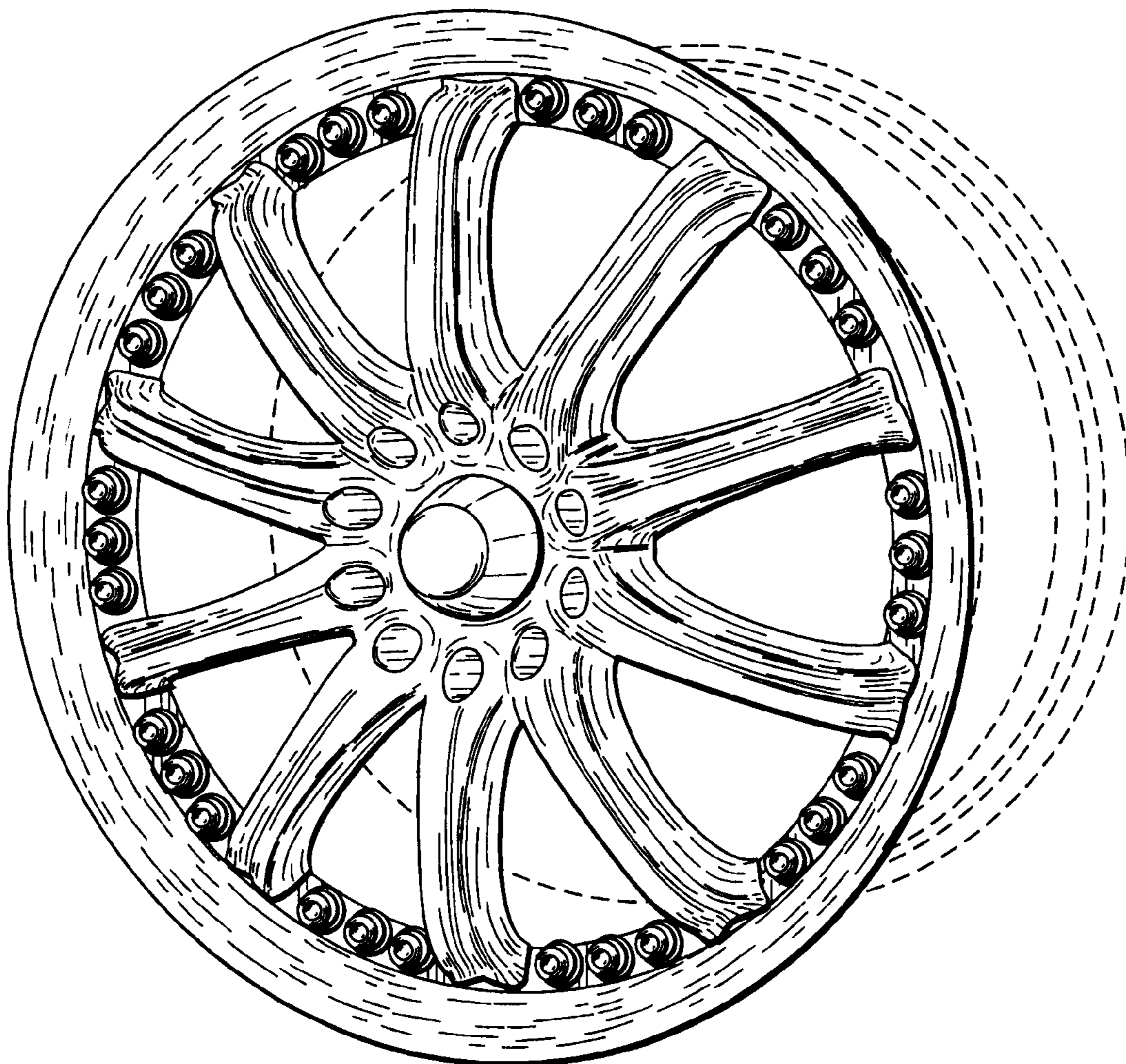
The ornamental design for an automotive wheel, as shown and described.

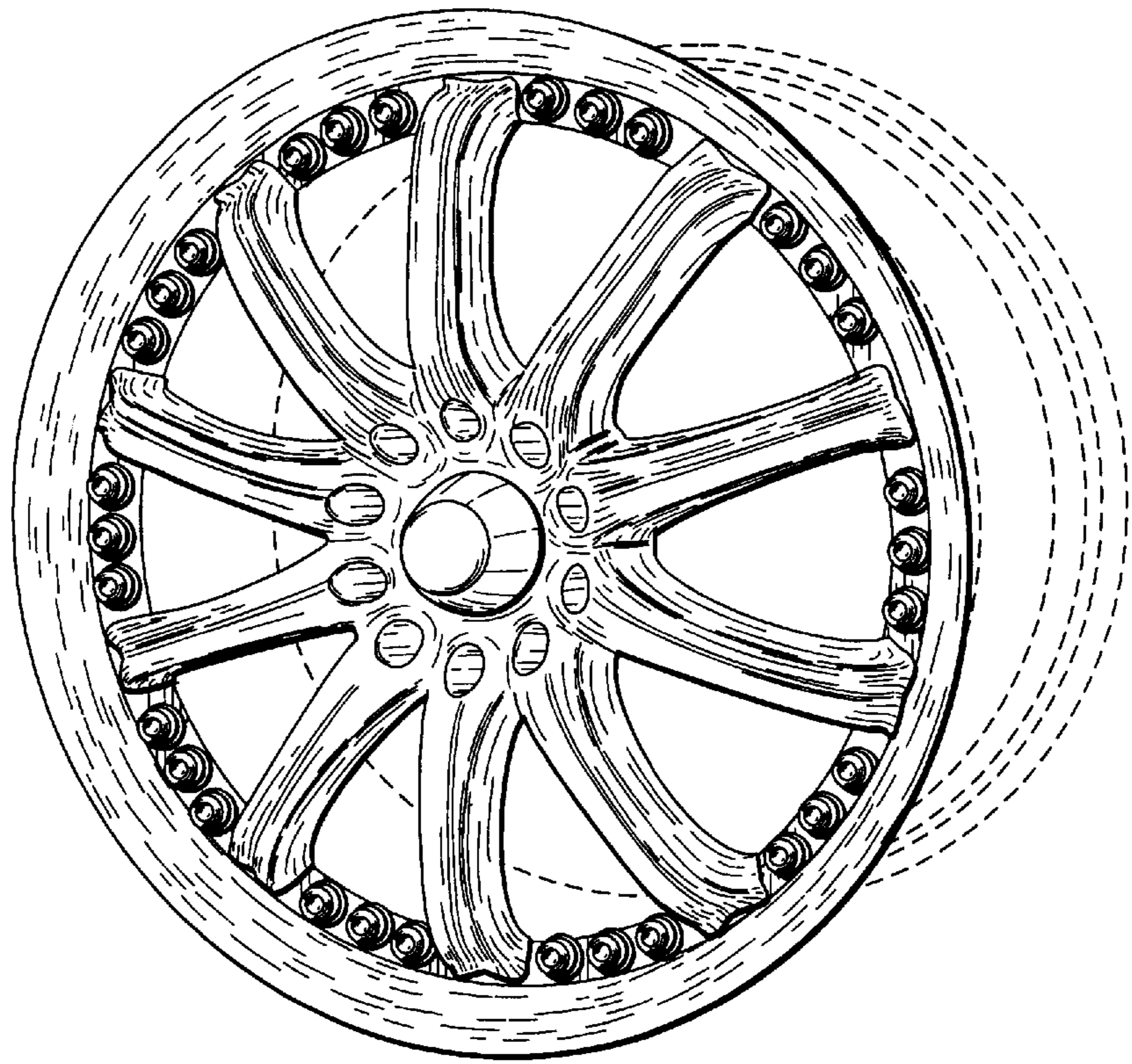
**DESCRIPTION**

FIG. 1 is an oblique view of the automotive wheel of the instant invention; and, FIG. 2 is a front view of the automotive wheel of the instant invention.

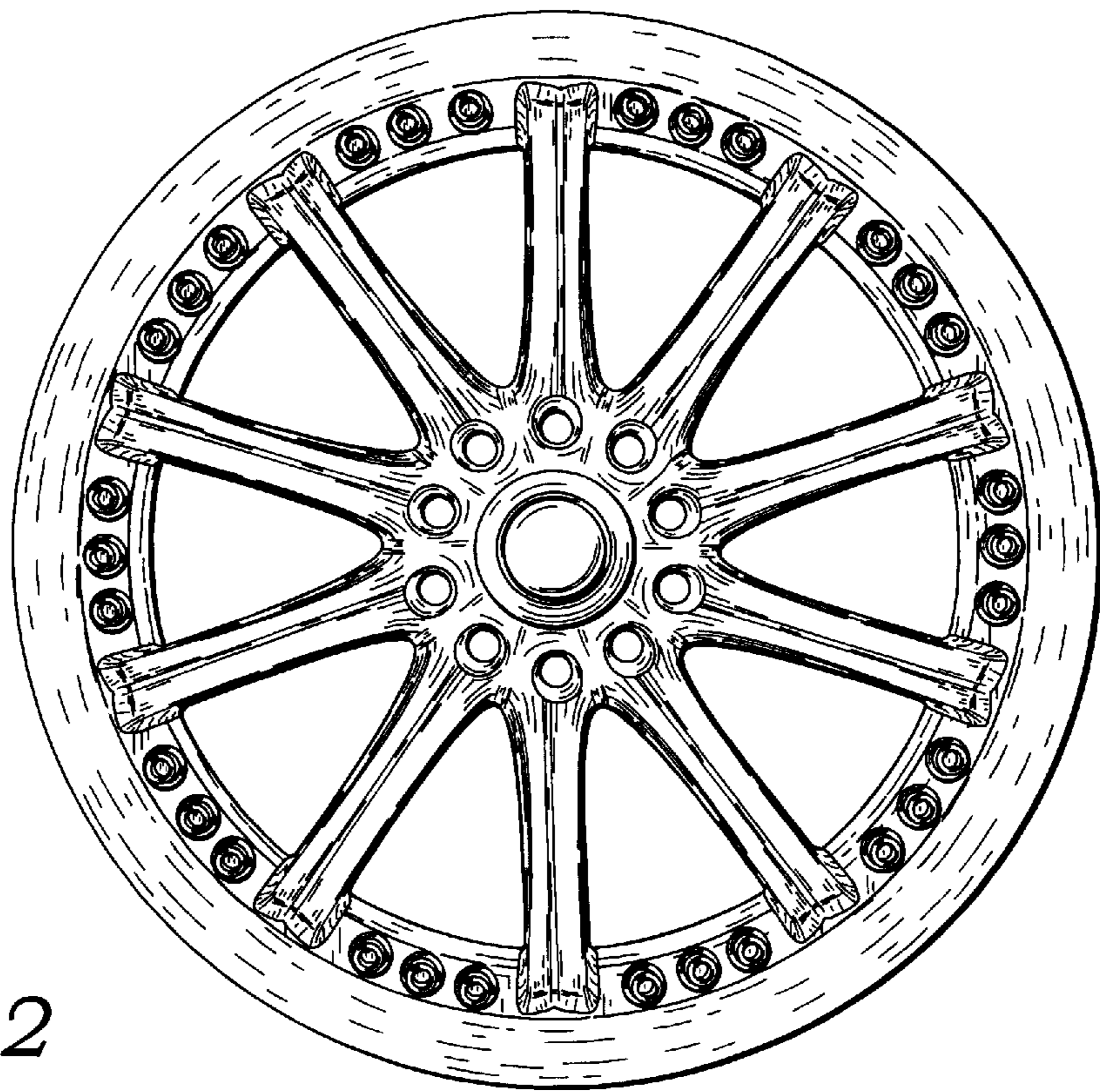
The broken line showing of environment is for illustrative purposes only and forms no part of the claimed design.

**1 Claim, 1 Drawing Sheet**





*Fig. 1*



*Fig. 2*