



US00D414440S

# United States Patent [19] Ch

[11] **Patent Number: Des. 414,440**

[45] **Date of Patent: \*\* Sep. 28, 1999**

[54] **EMERGENCY ALARM**

D. 370,862 6/1996 John-Hurlow ..... D10/106  
D. 391,512 3/1998 Ch ..... D10/106

[76] Inventor: **Mick Ch**, No. 18, Lane 201, Chungho Street, Chupei, Hsinchu Hsien, Taiwan

*Primary Examiner*—Marcus A. Jackson  
*Attorney, Agent, or Firm*—Rosenberg, Klein & Bilker

[\*\*] Term: **14 Years**

### [57] CLAIM

[21] Appl. No.: **29/082,298**

The ornamental design for an emergency alarm, as shown and described.

[22] Filed: **Jan. 20, 1998**

### DESCRIPTION

[51] **LOC (6) Cl.** ..... **10-05**

[52] **U.S. Cl.** ..... **D10/106**

[58] **Field of Search** ..... D10/104, 106,  
D10/116, 121; 340/384.1, 384.3, 384.7,  
388.1, 390.1, 391.1, 391.2, 392.1, 392.2,  
392.4

FIG. 1 is a perspective view of an emergency alarm showing my new design;

FIG. 2 is a front elevational view thereof;

FIG. 3 is a rear elevational view thereof;

FIG. 4 is a left side elevational view thereof;

FIG. 5 is a right side elevational view thereof;

FIG. 6 is a top plan view thereof; and,

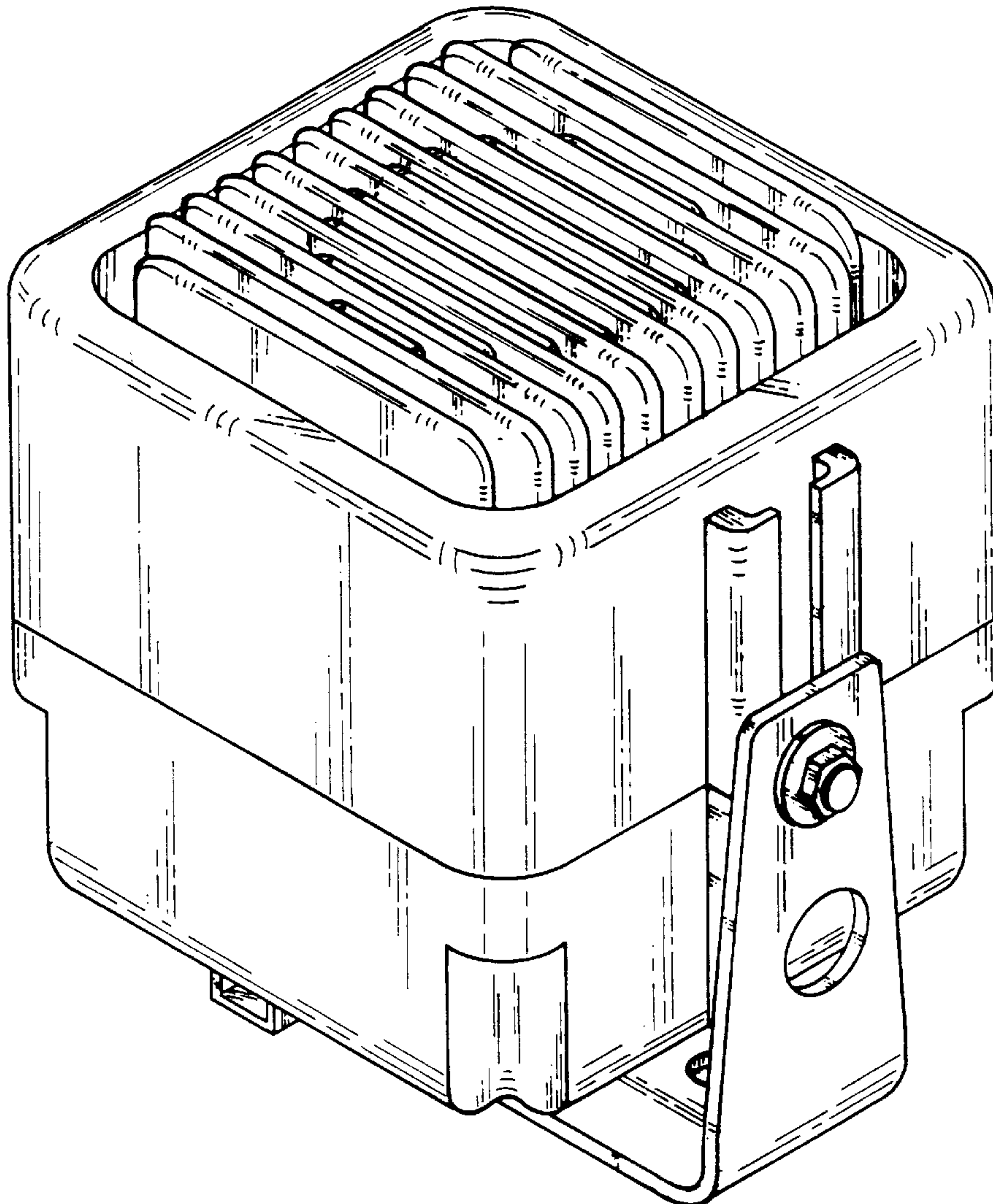
FIG. 7 is a bottom plan view thereof.

### [56] References Cited

#### U.S. PATENT DOCUMENTS

D. 325,356 4/1992 Kin Man Jse ..... D10/106  
D. 347,596 6/1994 Jackson ..... D10/106

**1 Claim, 7 Drawing Sheets**



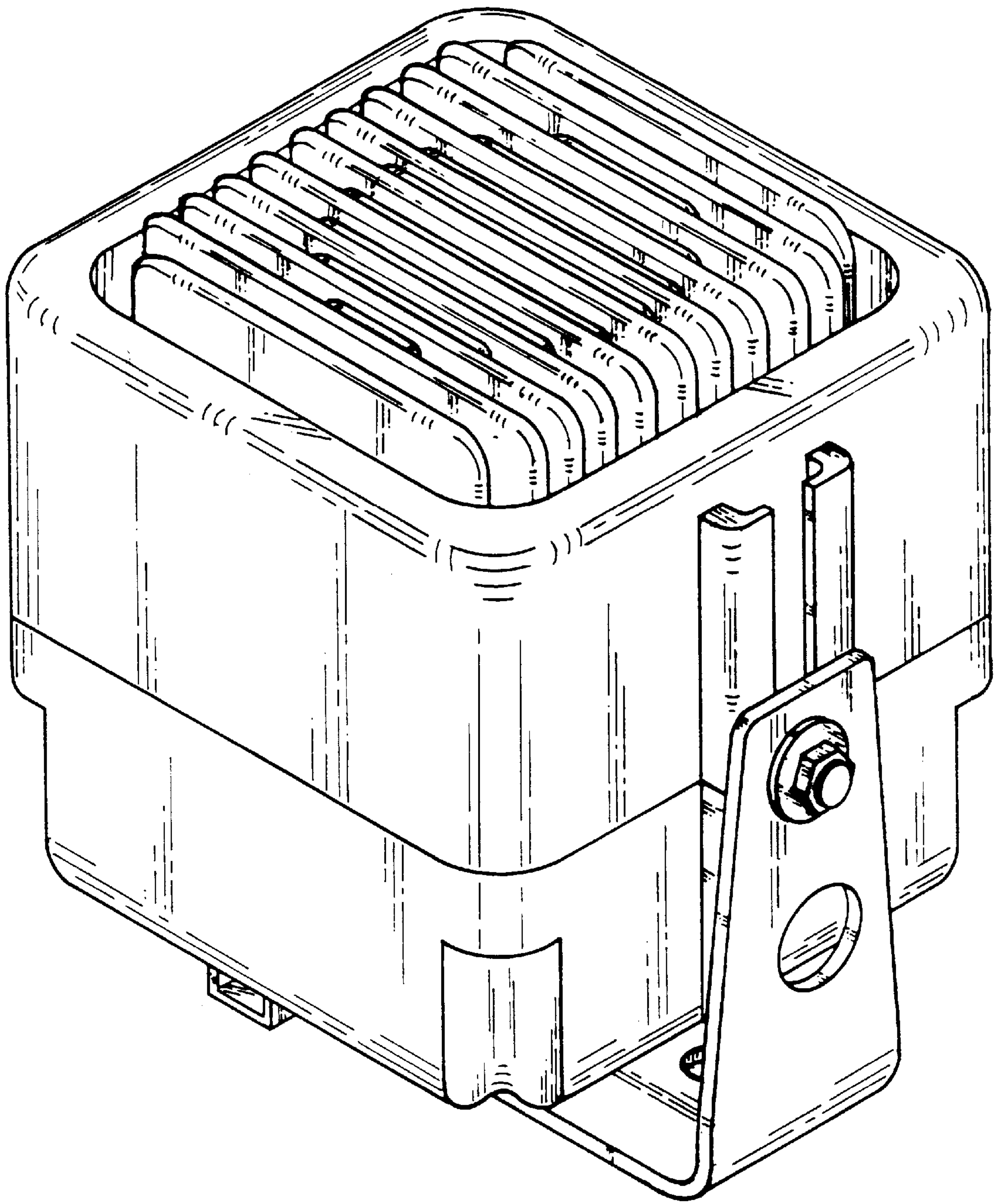


FIG. 1

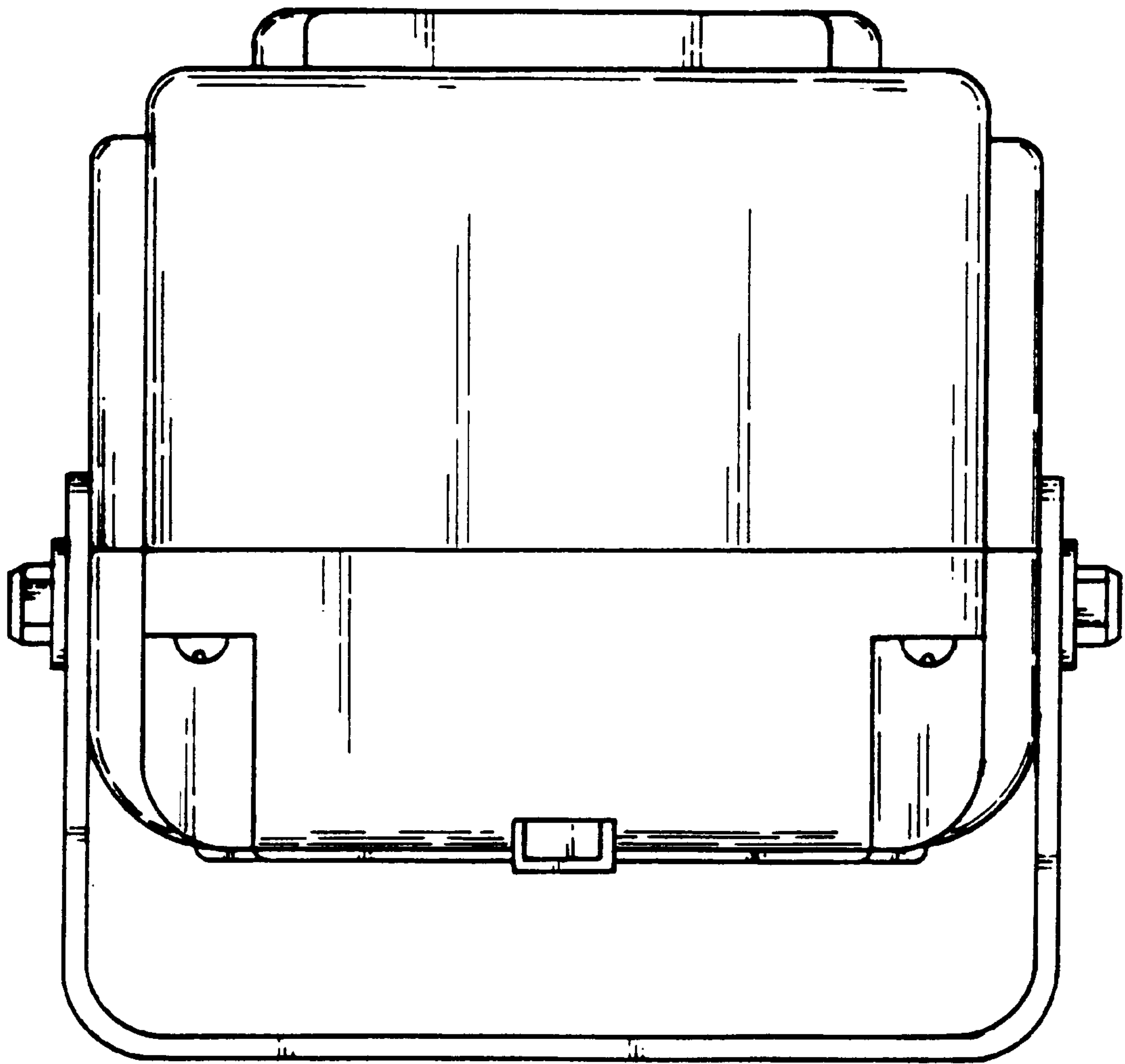


FIG. 2

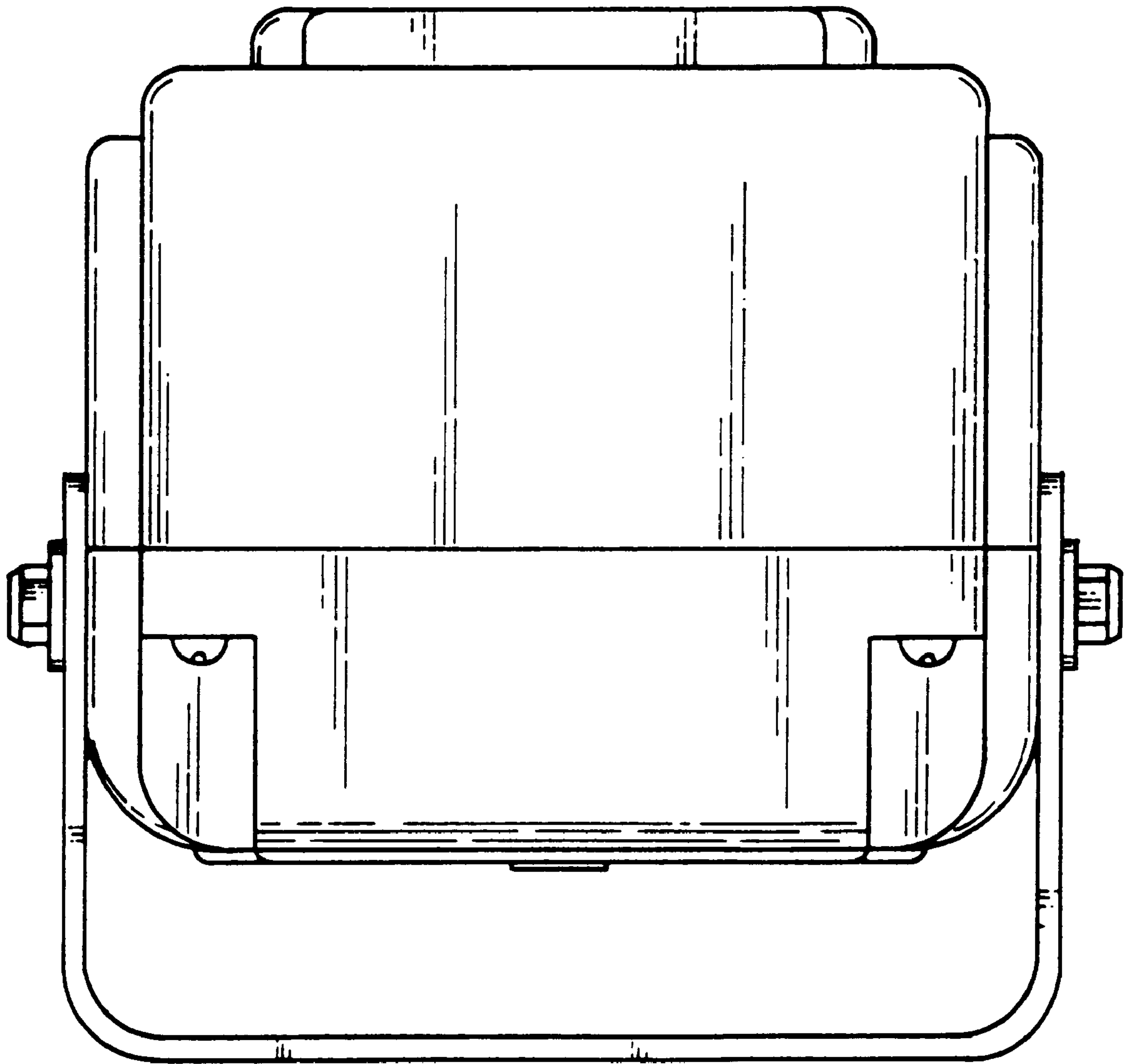


FIG. 3

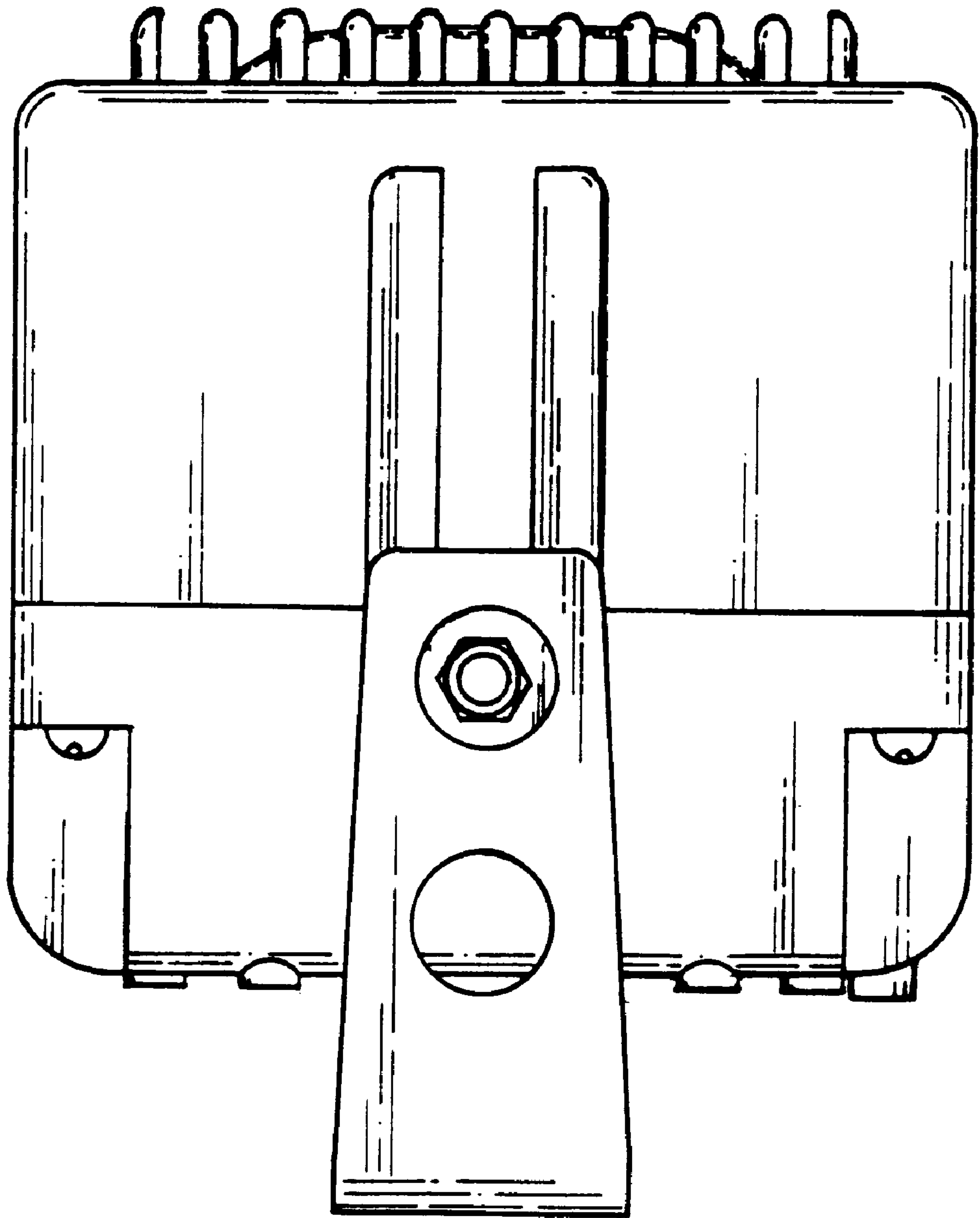


FIG. 4



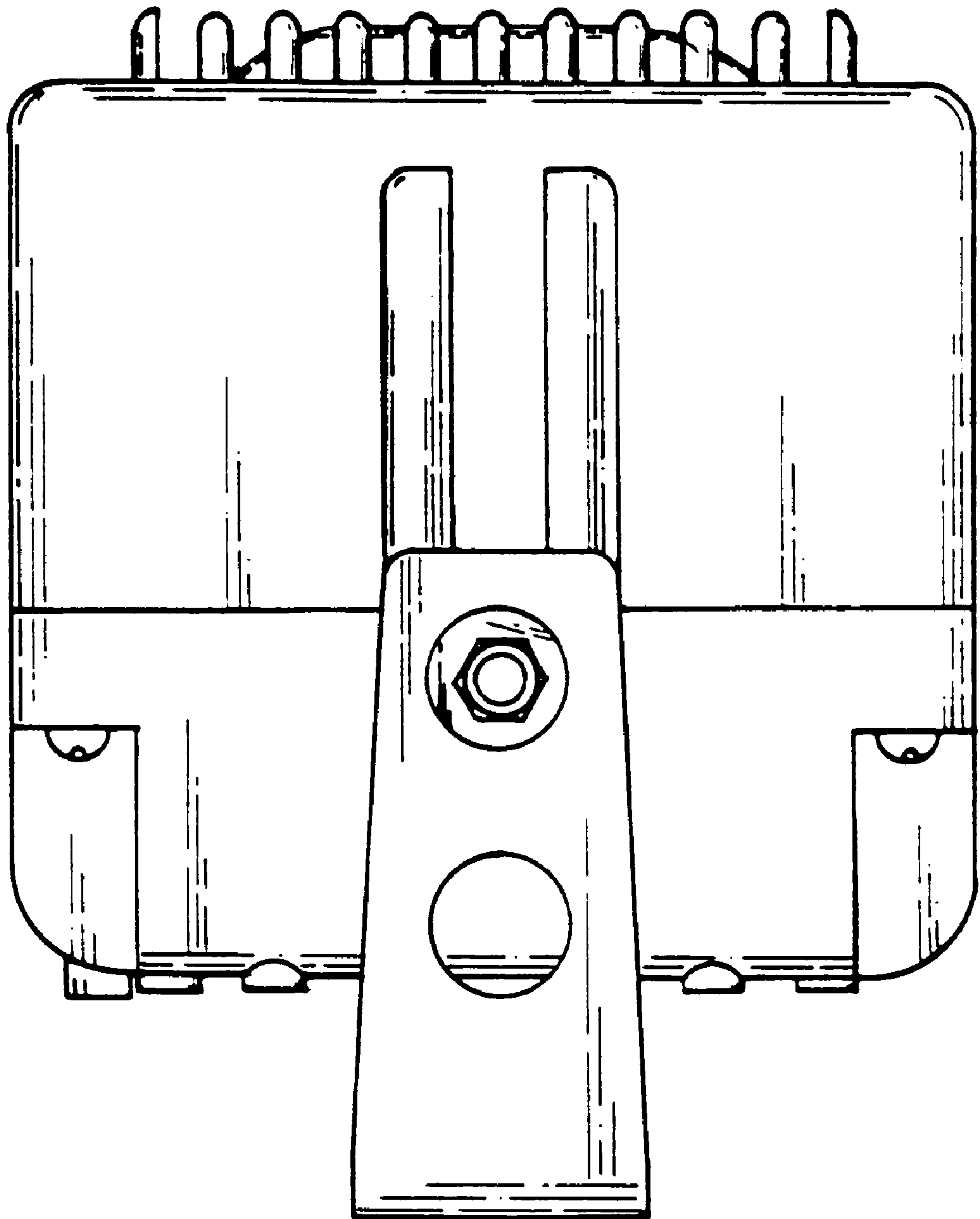


FIG. 5

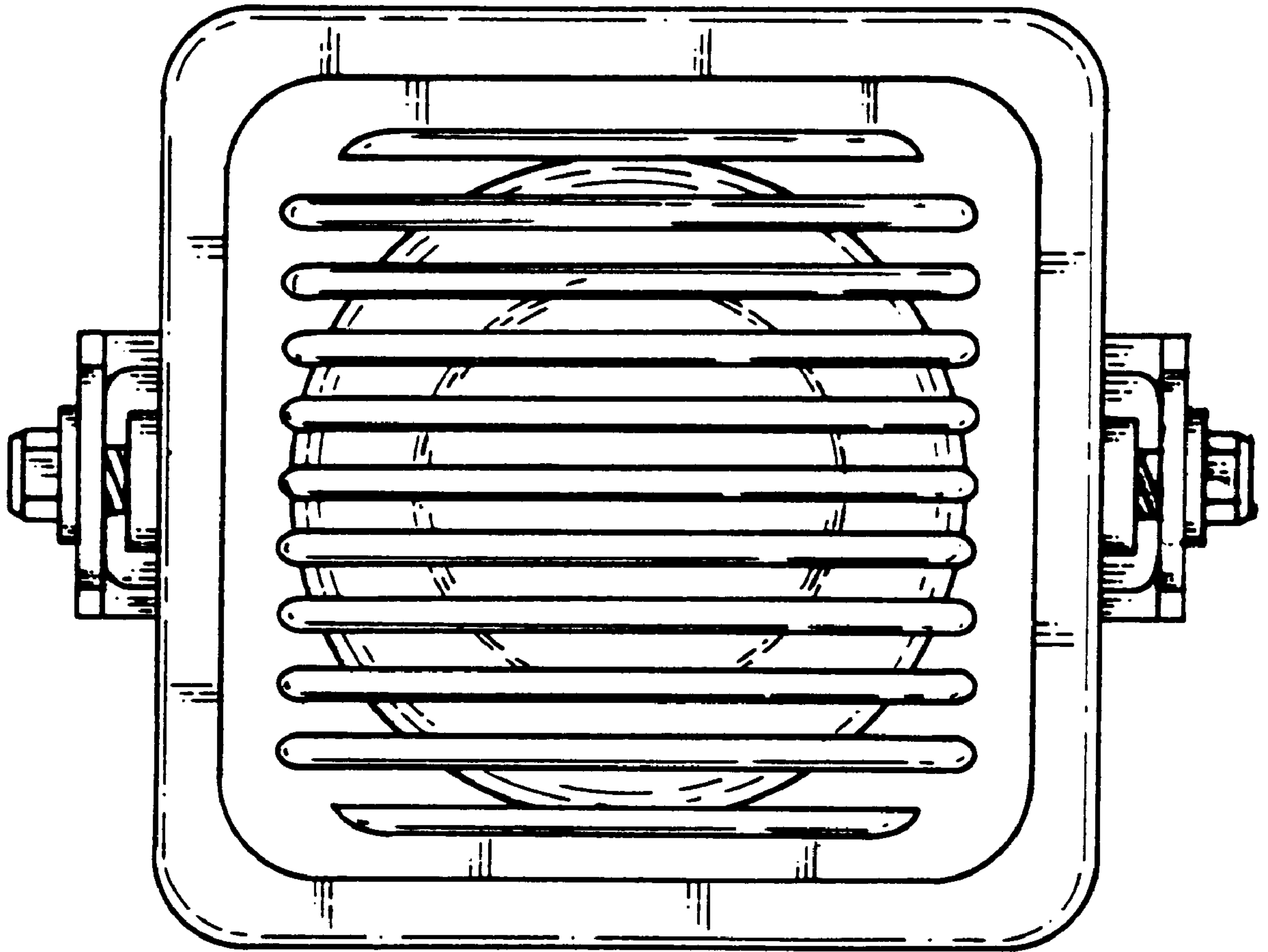


FIG. 6

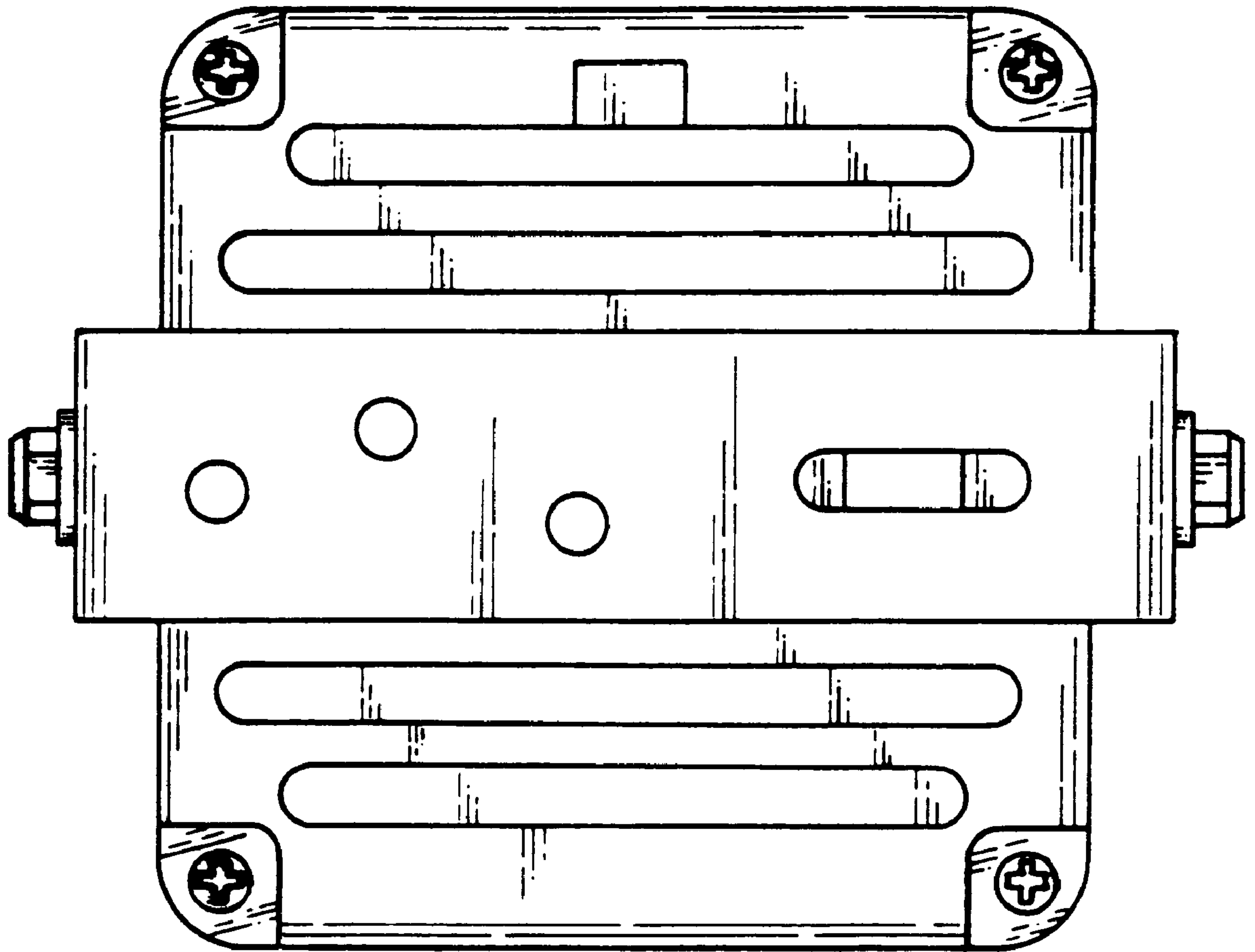


FIG. 7