



US00D414437S

United States Patent [19]
Goessling, Jr.

[11] **Patent Number: Des. 414,437**

[45] **Date of Patent: ** Sep. 28, 1999**

[54] **TAPE MEASURE**

[75] Inventor: **John G. Goessling, Jr.**, Ladue, Mo.

[73] Assignee: **Quick Point, Inc.**, St. Louis, Mo.

[**] Term: **14 Years**

[21] Appl. No.: **29/097,542**

[22] Filed: **Dec. 9, 1998**

[51] **LOC (6) Cl.** **10-04**

[52] **U.S. Cl.** **D10/72**

[58] **Field of Search** **D10/72; 33/755-771**

[56] **References Cited**

U.S. PATENT DOCUMENTS

D. 397,949	9/1998	Azzopardi	D10/72
5,367,785	11/1994	Benarroch	33/767
5,832,622	11/1998	Mann	33/766

Primary Examiner—Antoine Duval Davis
Attorney, Agent, or Firm—Polster, Lieder, Woodruff & Lucchesi, L.C.

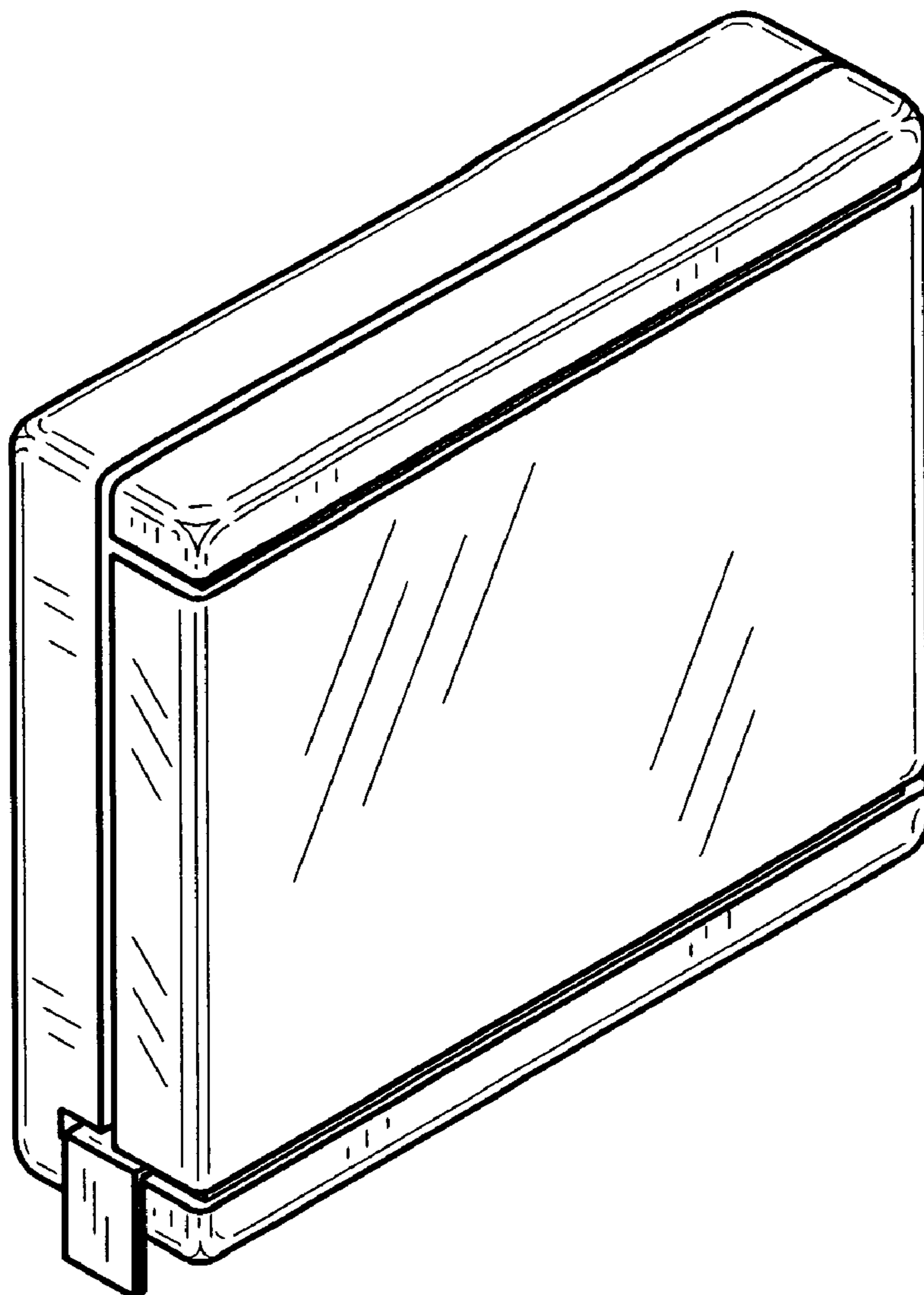
[57] **CLAIM**

The ornamental design for a tape measure, as shown and described.

DESCRIPTION

FIG. 1 is a top, front and left side perspective view of a tape measure showing my new design;
FIG. 2 is a front elevational view thereof;
FIG. 3 is a rear elevational view thereof;
FIG. 4 is a right side elevational view thereof;
FIG. 5 is a left side elevational view thereof;
FIG. 6 is a top plan view thereof; and,
FIG. 7 is a bottom plan view thereof.

1 Claim, 1 Drawing Sheet



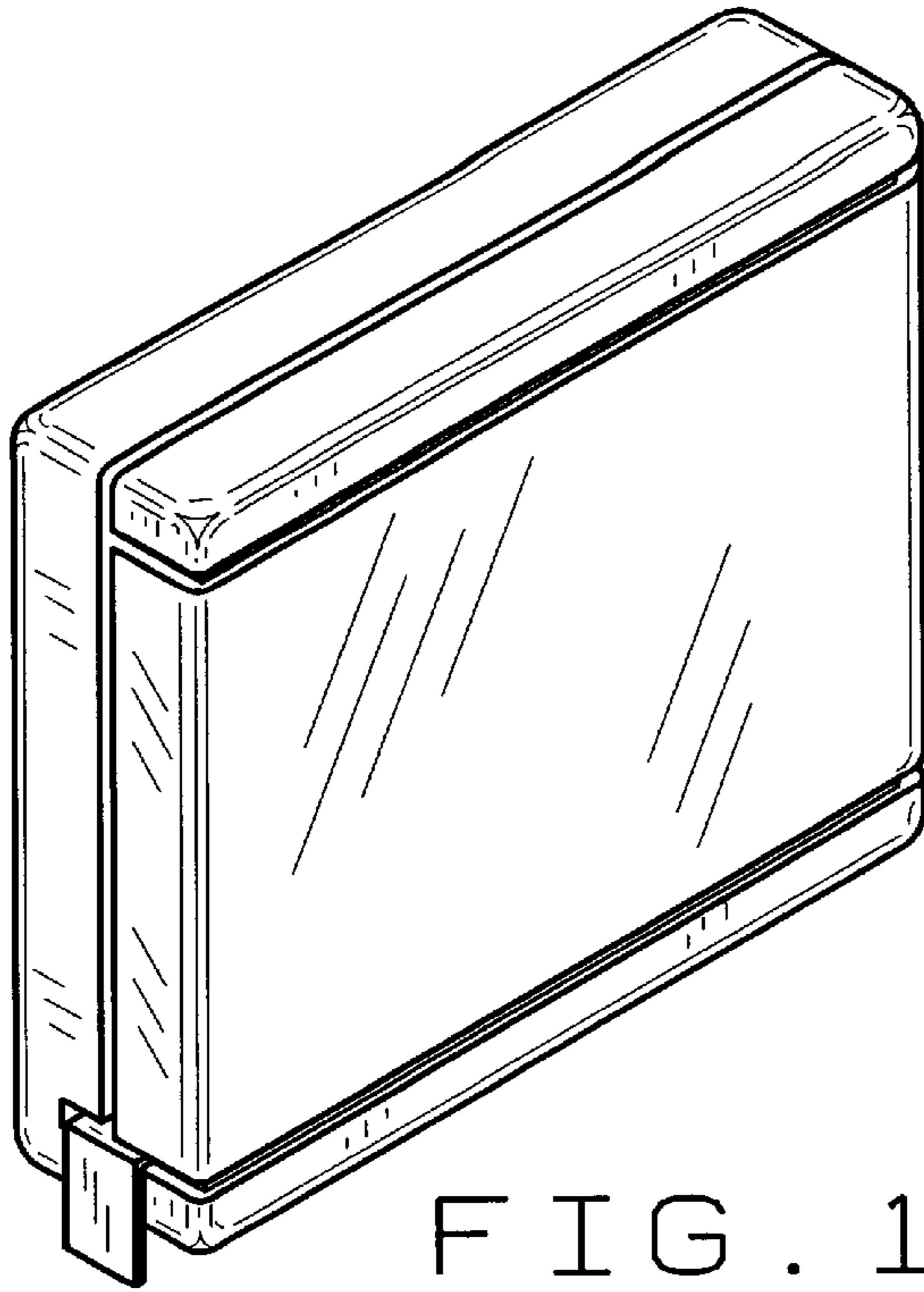


FIG. 1

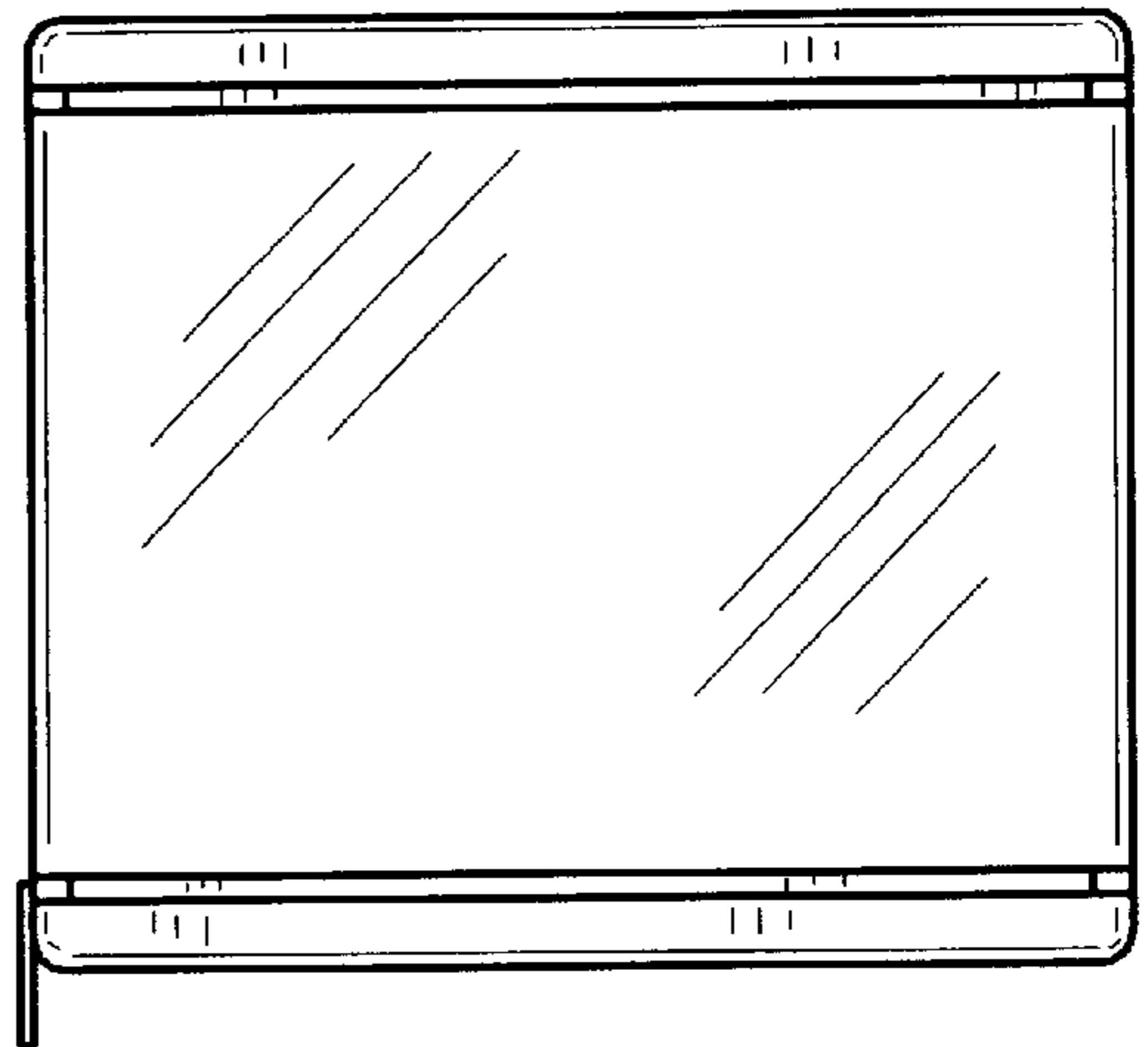


FIG. 2

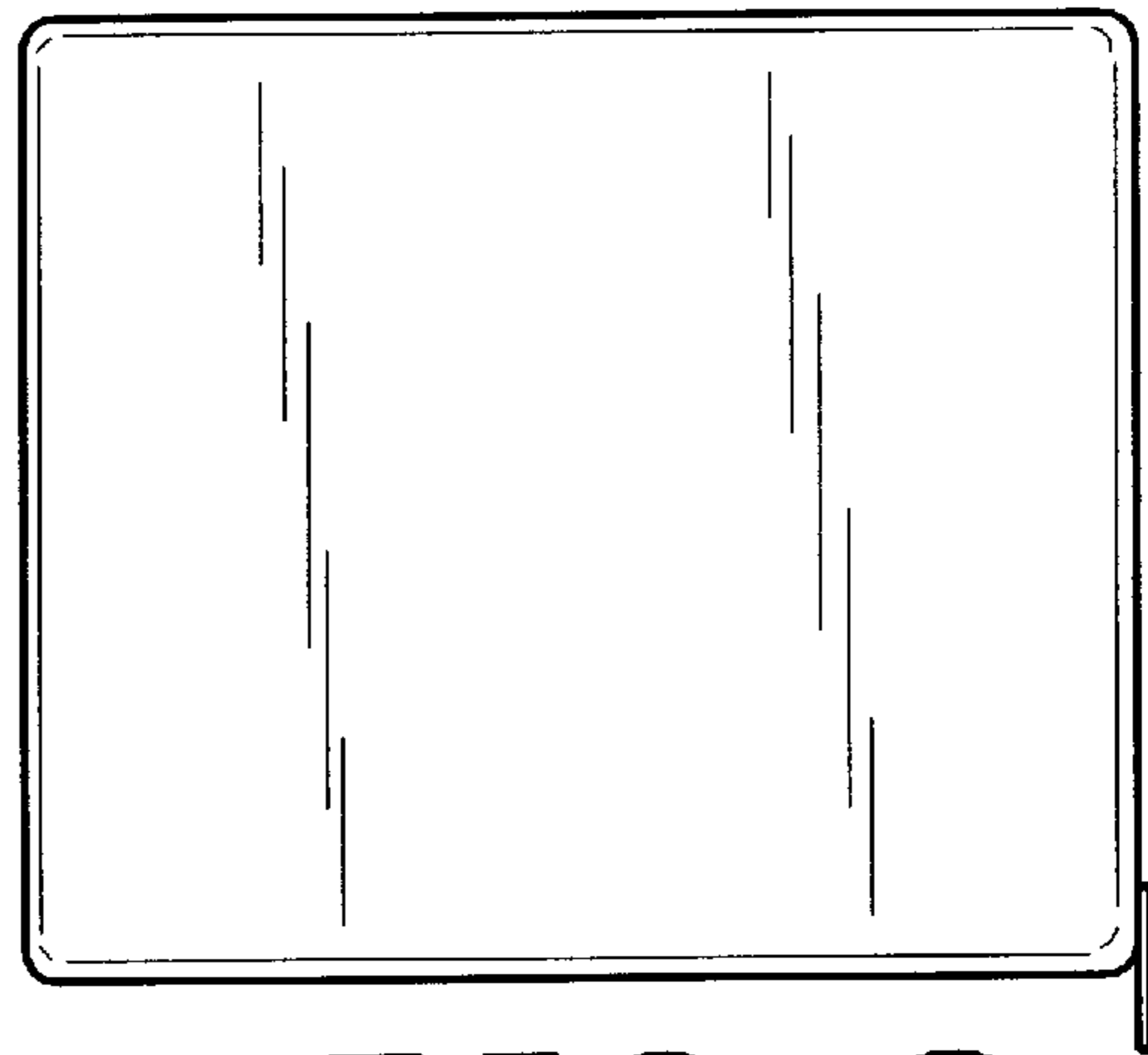


FIG. 3

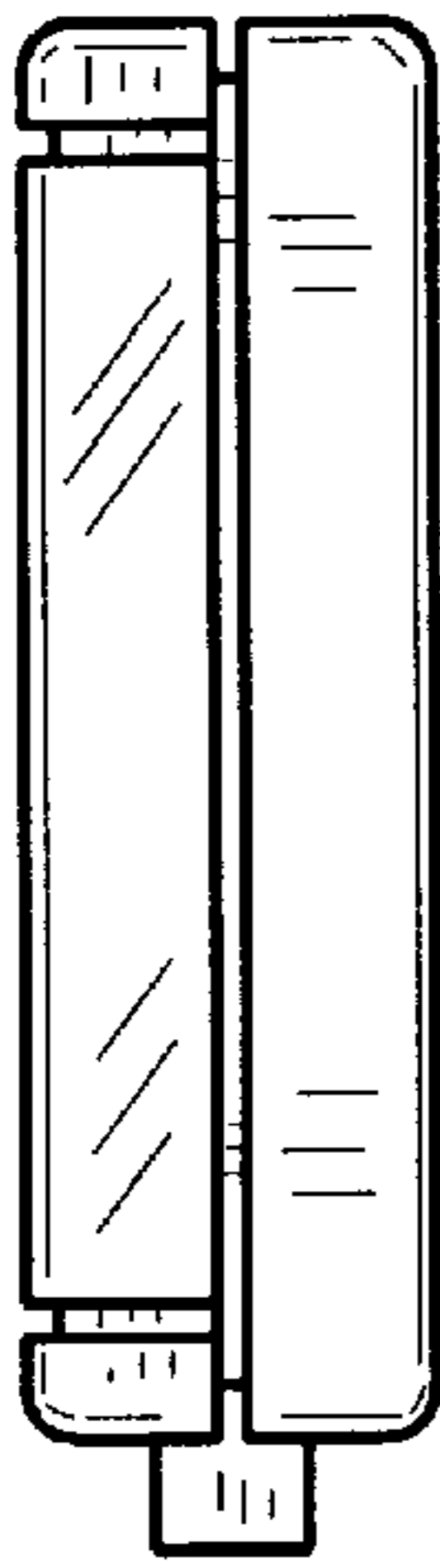


FIG. 4

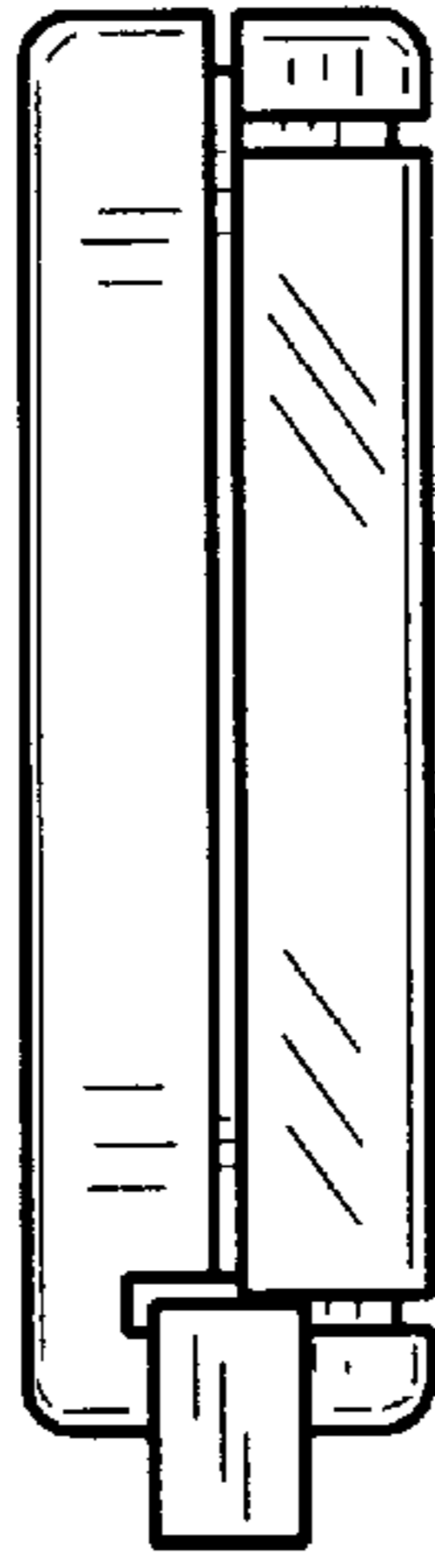


FIG. 5

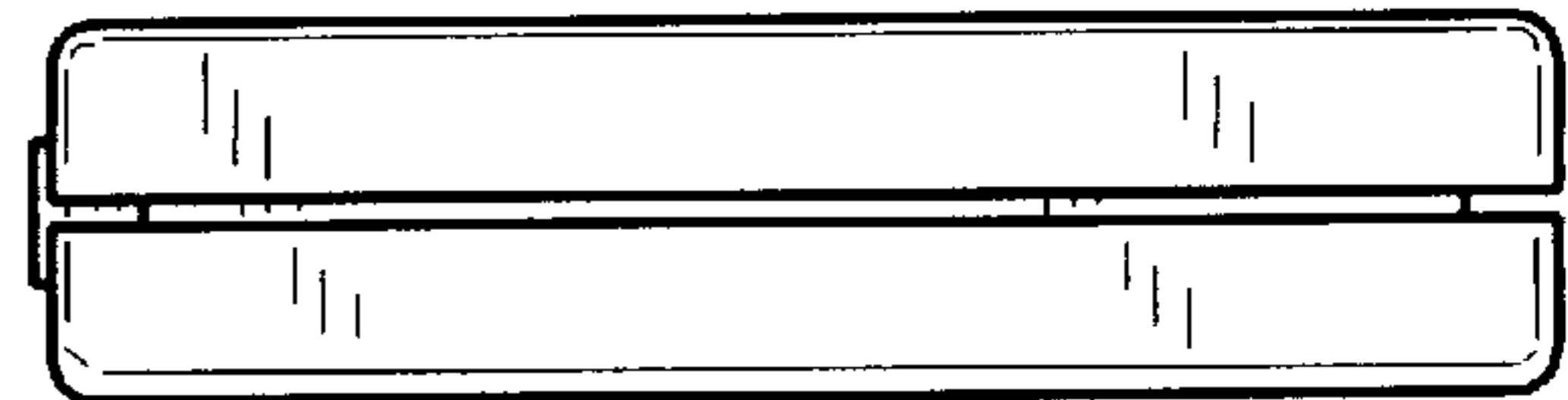


FIG. 6

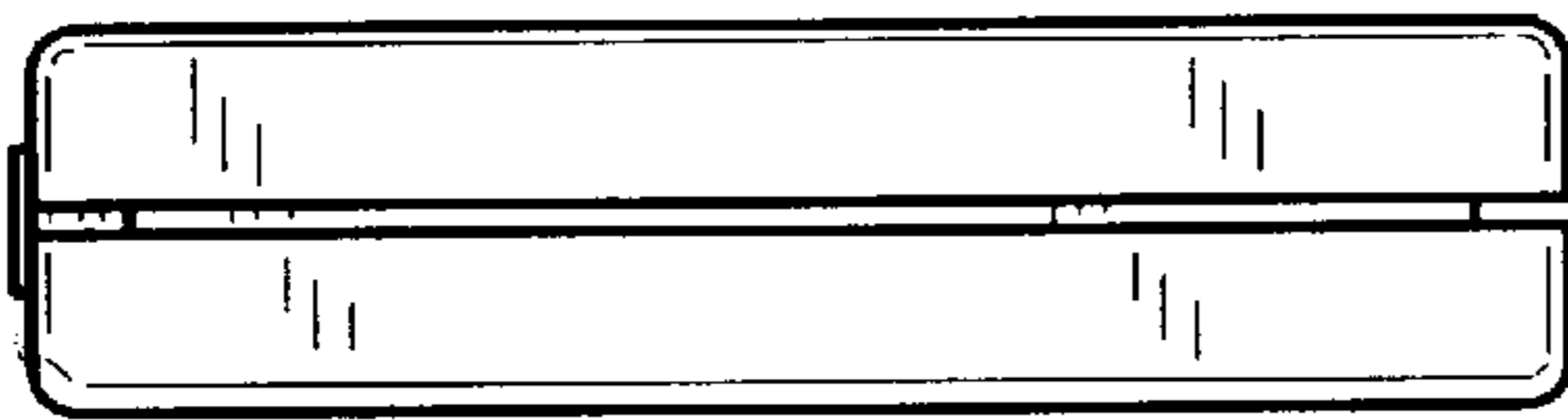


FIG. 7