



US00D414436S

United States Patent [19] Seppala

[11] **Patent Number: Des. 414,436**

[45] **Date of Patent: ** Sep. 28, 1999**

[54] **BASE PLATE FOR A COMPASS**

[75] Inventor: **Markku Seppala**, Helsinki, Finland

[73] Assignee: **Suunto Oyj**, Espoo, Finland

[**] Term: **14 Years**

[21] Appl. No.: **29/085,826**

[22] Filed: **Mar. 31, 1998**

[30] **Foreign Application Priority Data**

Oct. 30, 1997 [FI] Finland 782/97

[51] **LOC (6) Cl.** **10-04**

[52] **U.S. Cl.** **D10/68**

[58] **Field of Search** D10/62, 68, 103;
33/272, 348, 355 R

[56] **References Cited**

U.S. PATENT DOCUMENTS

D. 299,216 1/1989 Toshikazu D10/68

D. 386,097 11/1997 Lindman et al. D10/68

Primary Examiner—Antoine Duval Davis
Attorney, Agent, or Firm—Steinberg & Raskin, P.C.

[57] **CLAIM**

The ornamental design for a base plate for a compass, as shown.

DESCRIPTION

FIG. 1 is a top view of a base plate for a compass showing my new design;

FIG. 2 is a front view thereof;

FIG. 3 is a left side view thereof;

FIG. 4 is a rear view thereof;

FIG. 5 is a right side view thereof;

FIG. 6 is a bottom view thereof;

FIG. 7 is a front, right perspective view thereof;

FIG. 8 is a front, left inverted perspective view thereof;

FIG. 9 is a rear, right perspective view thereof; and,

FIG. 10 is a rear, left inverted perspective view thereof.

1 Claim, 4 Drawing Sheets

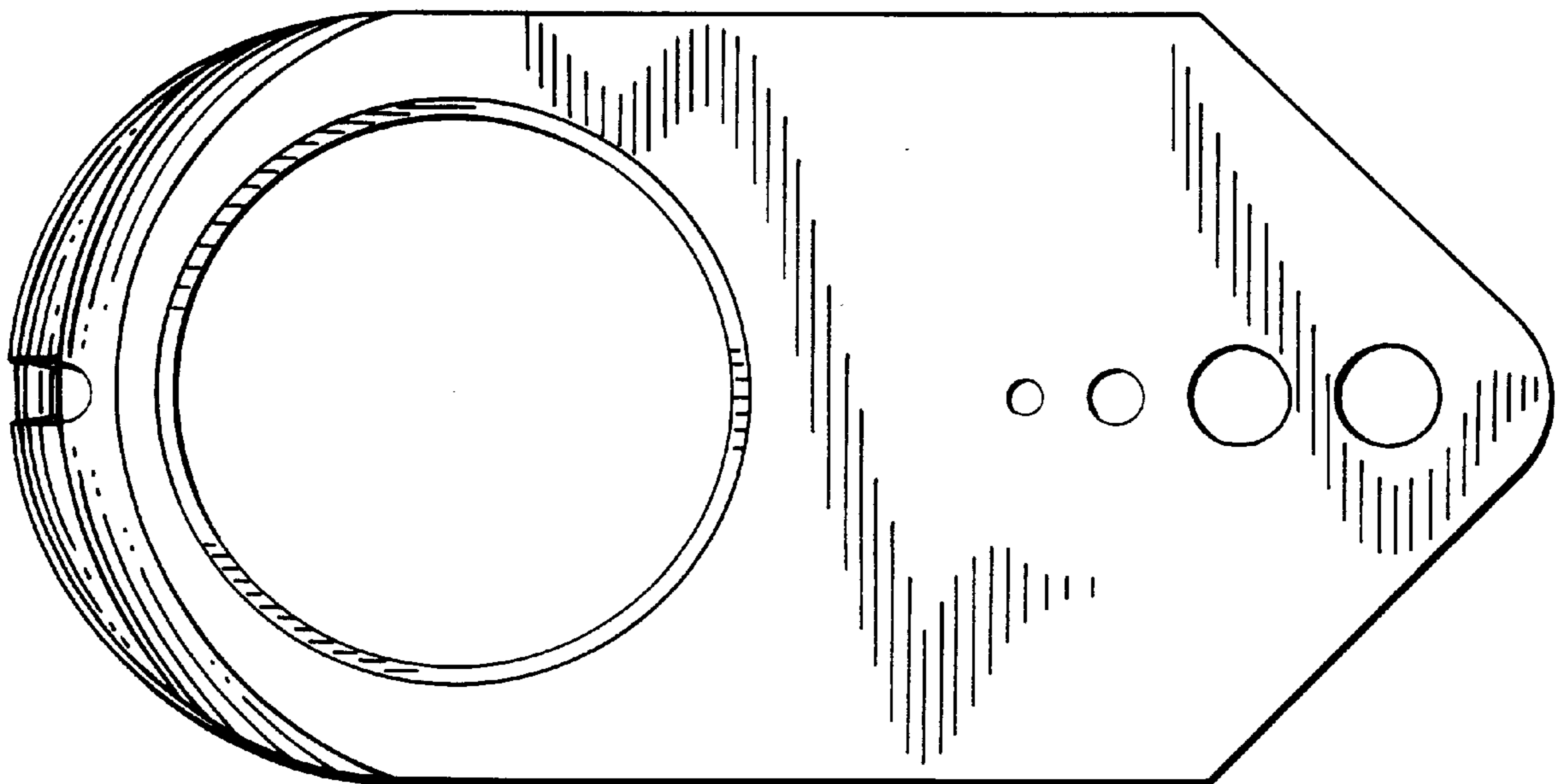


FIG. 1

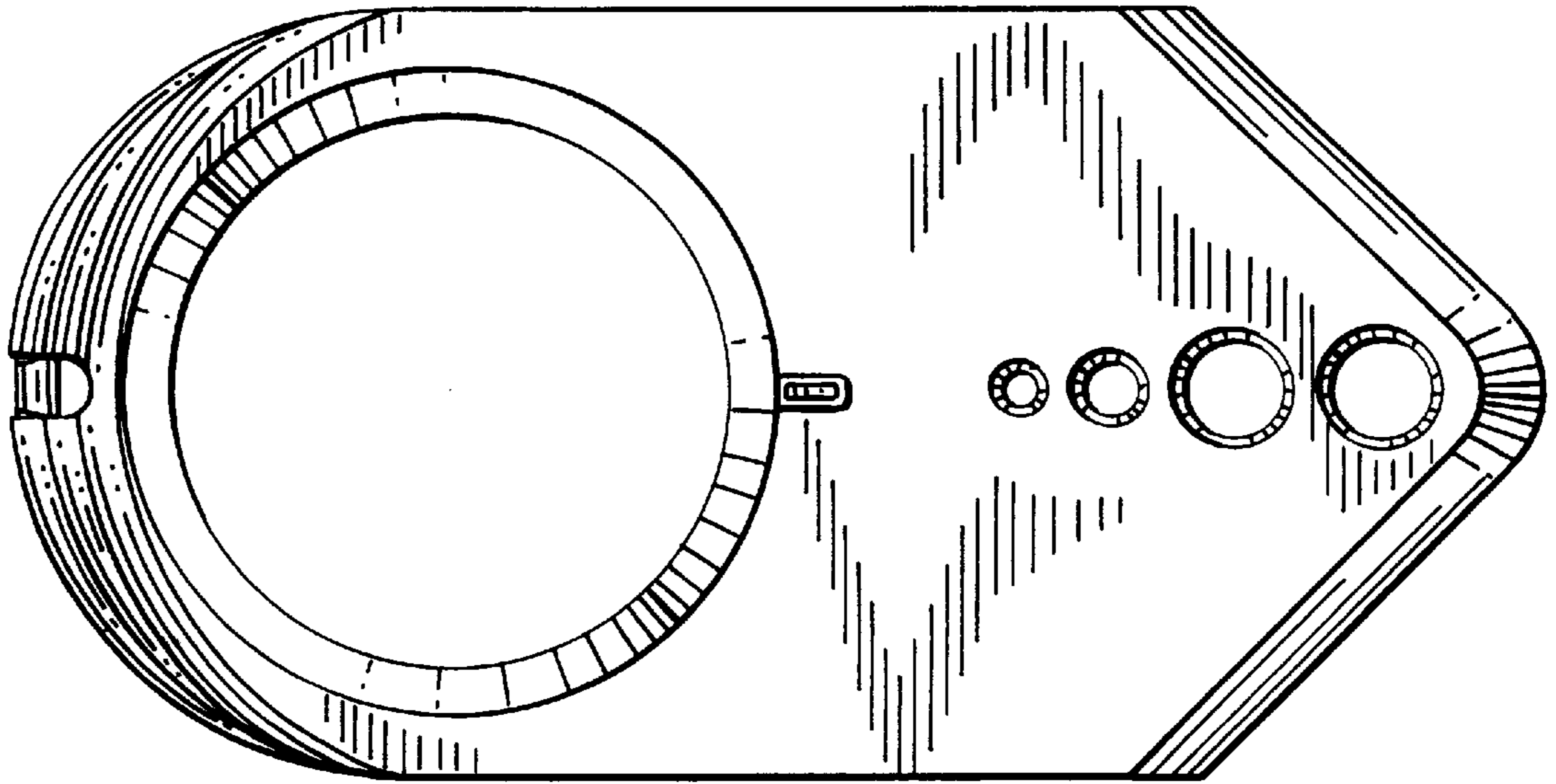


FIG. 2

FIG. 3



FIG. 4



FIG. 5



FIG. 6

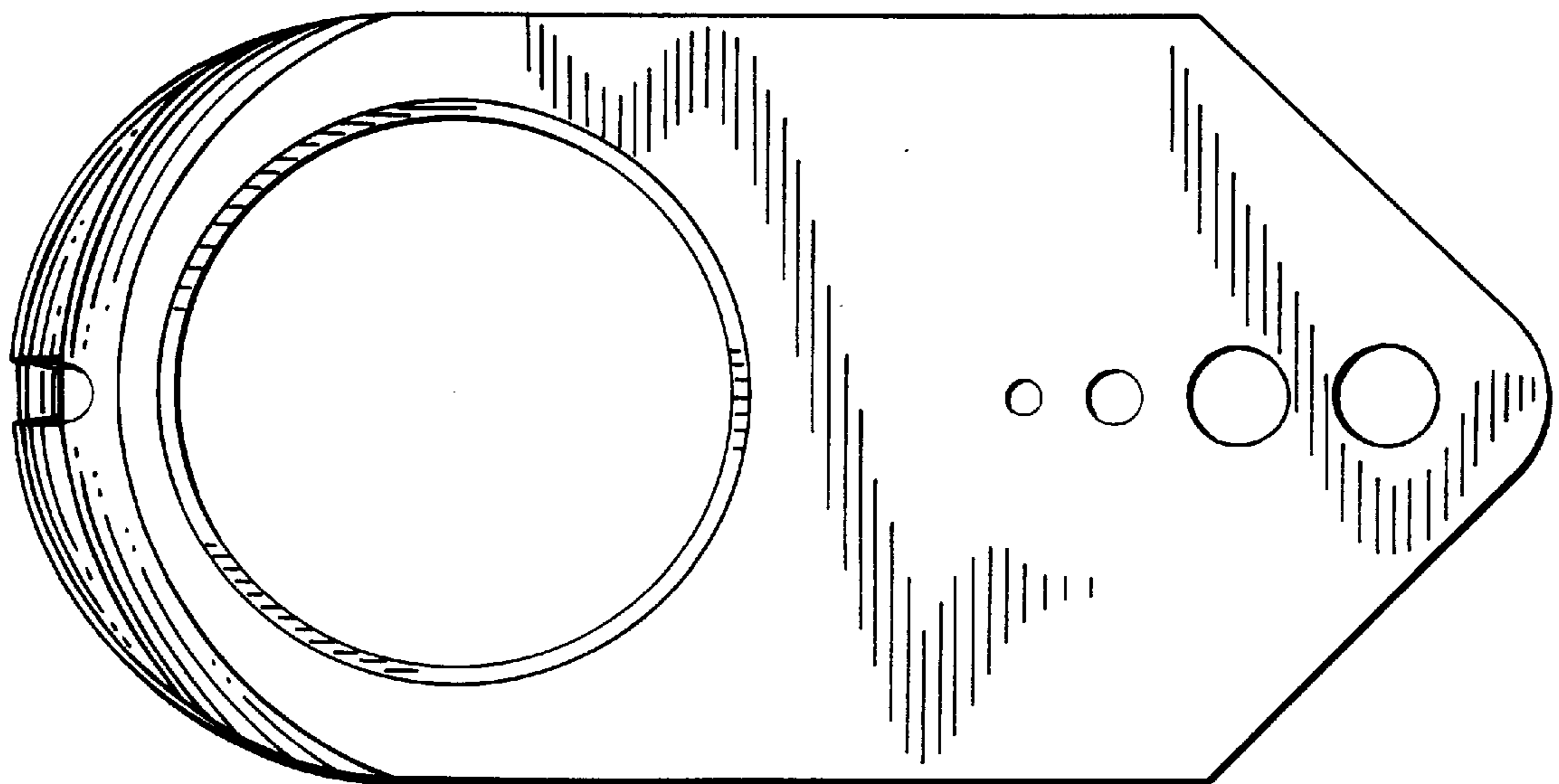


FIG. 7

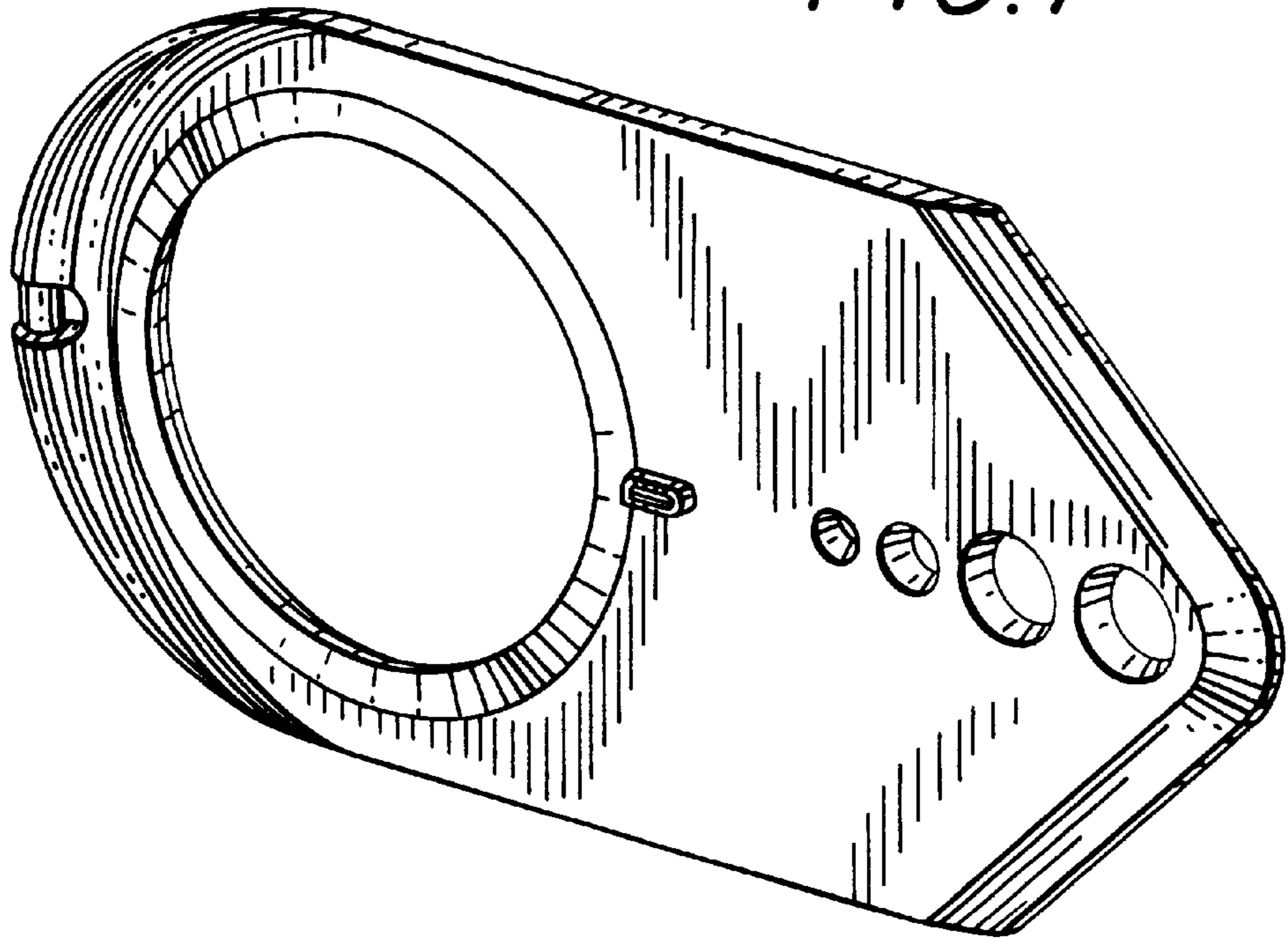


FIG. 8

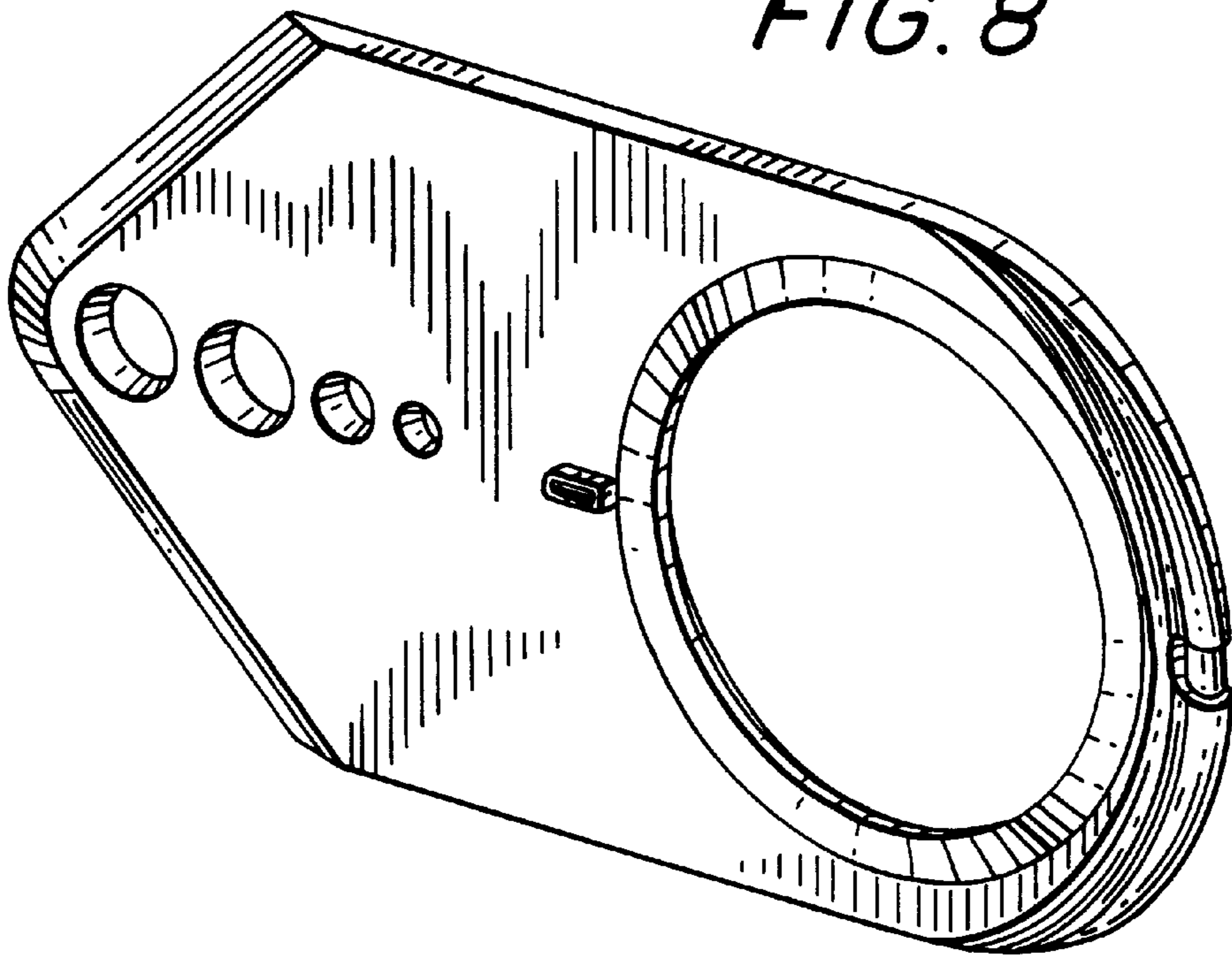


FIG. 9

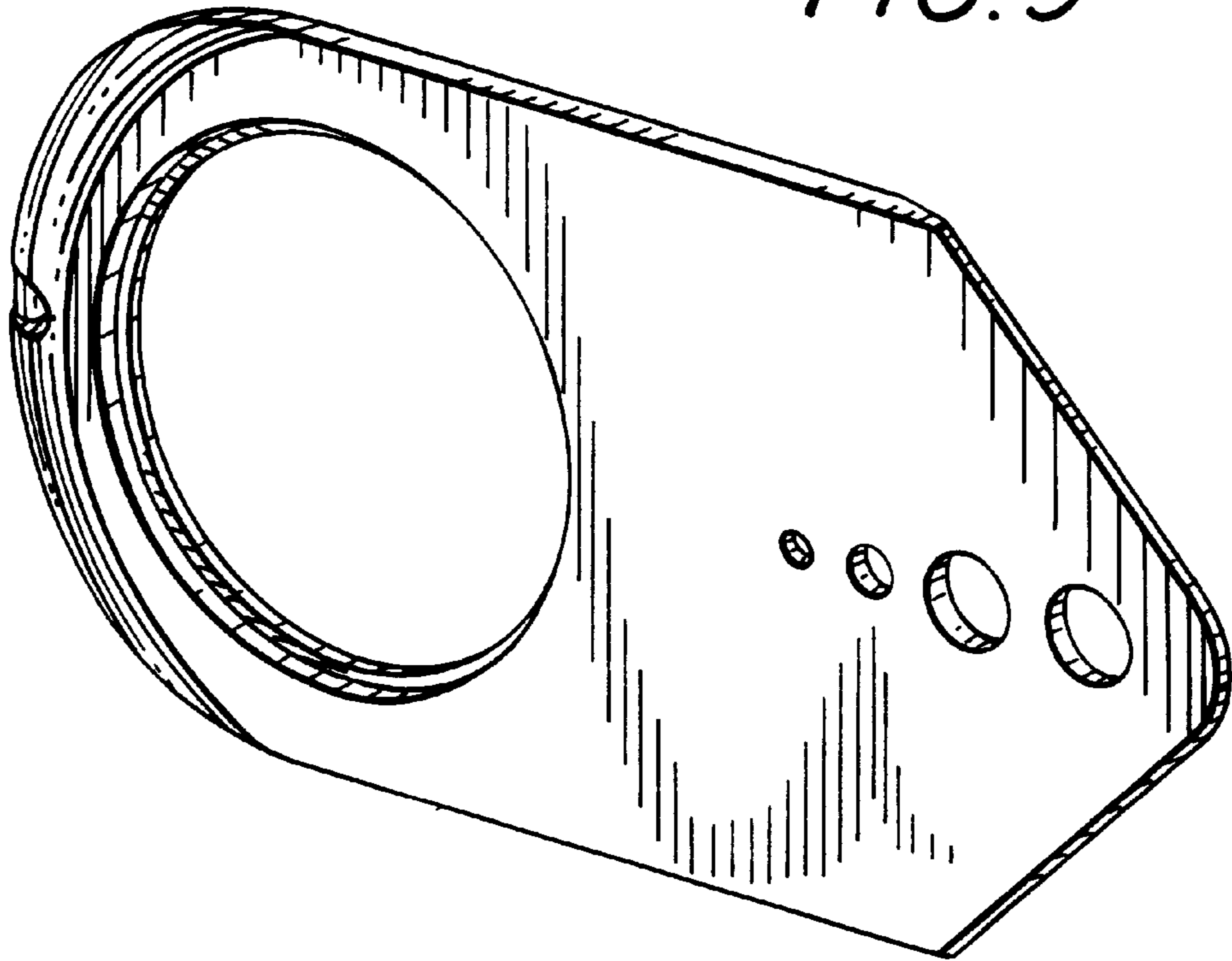


FIG. 10

