



US00D414435S

United States Patent [19]
Nahon

[11] **Patent Number: Des. 414,435**

[45] **Date of Patent: ** Sep. 28, 1999**

[54] **BRACELET THERMOMETER FOR WINE BOTTLE**

D. 317,130 5/1991 Berney D10/57

[76] Inventor: **Menaim Michel Nahon**, 71, rue de Saussure, 75017 Paris, France

Primary Examiner—Antoine Duval Davis
Attorney, Agent, or Firm—Abelman, Frayne & Schwab

[**] Term: **14 Years**

[57] **CLAIM**

[21] Appl. No.: **29/064,518**

The ornamental design for a bracelet thermometer for wine bottle, as shown and described.

[22] Filed: **Jan. 3, 1997**

DESCRIPTION

[30] **Foreign Application Priority Data**

Jul. 1, 1996 [FR] France 963846

FIG. 1 is a top, front, left-side perspective view showing the new bracelet thermometer for wine bottle design, with a portion thereof shown in phantom for environmental purposes only;

[51] **LOC (6) Cl.** **10-04**

[52] **U.S. Cl.** **D10/57**

FIG. 2 is a top plan view thereof (the bottom plan view is a mirror image);

[58] **Field of Search** D10/57; 374/141, 374/149, 150, 157, 208, 215

FIG. 3 is a front view thereof;

FIG. 4 is a right-side view thereof; and,

FIG. 5 is a rear view thereof.

[56] **References Cited**

U.S. PATENT DOCUMENTS

D. 317,129 5/1991 Beranek et al. D10/57

1 Claim, 2 Drawing Sheets

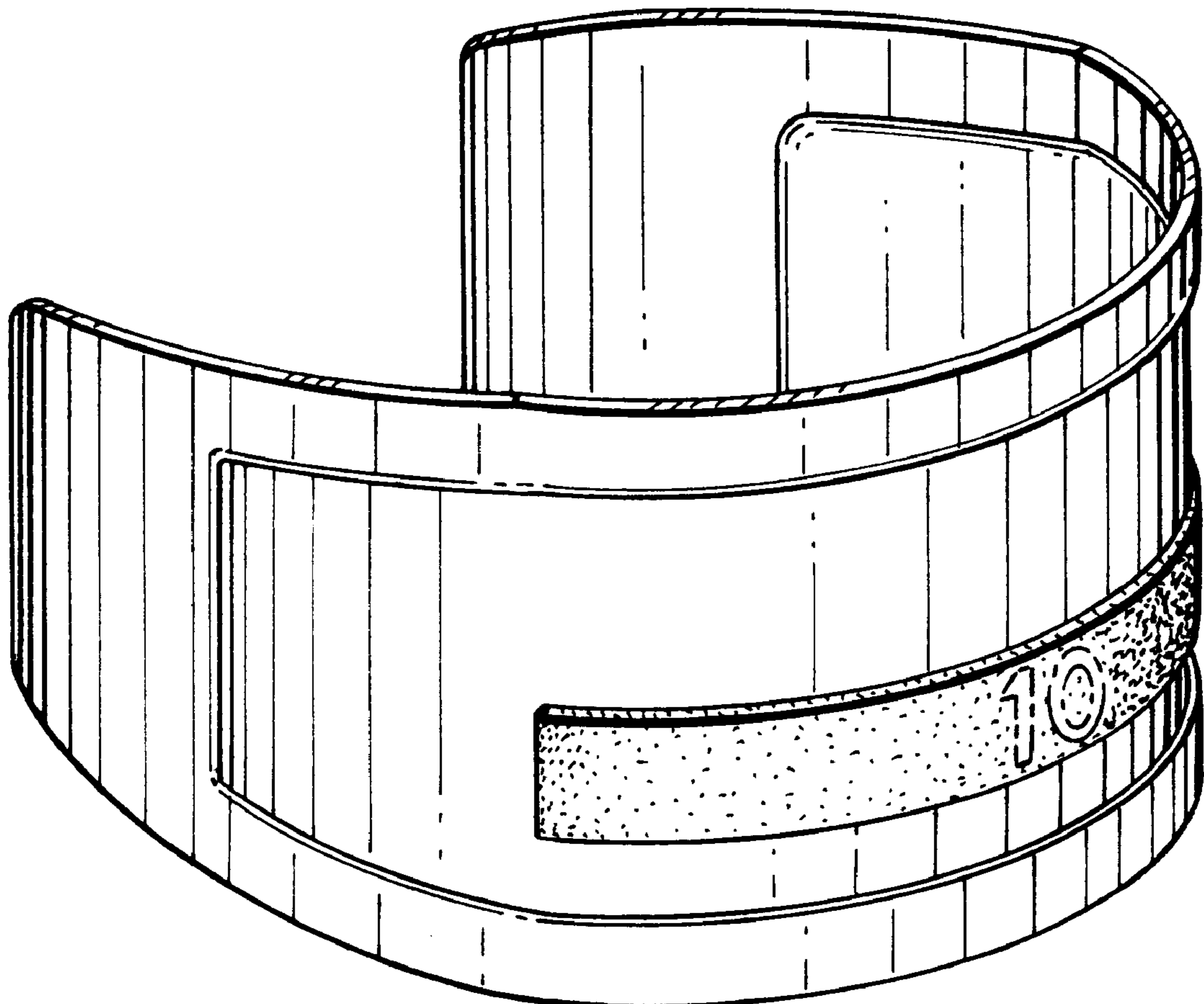


FIG. 1

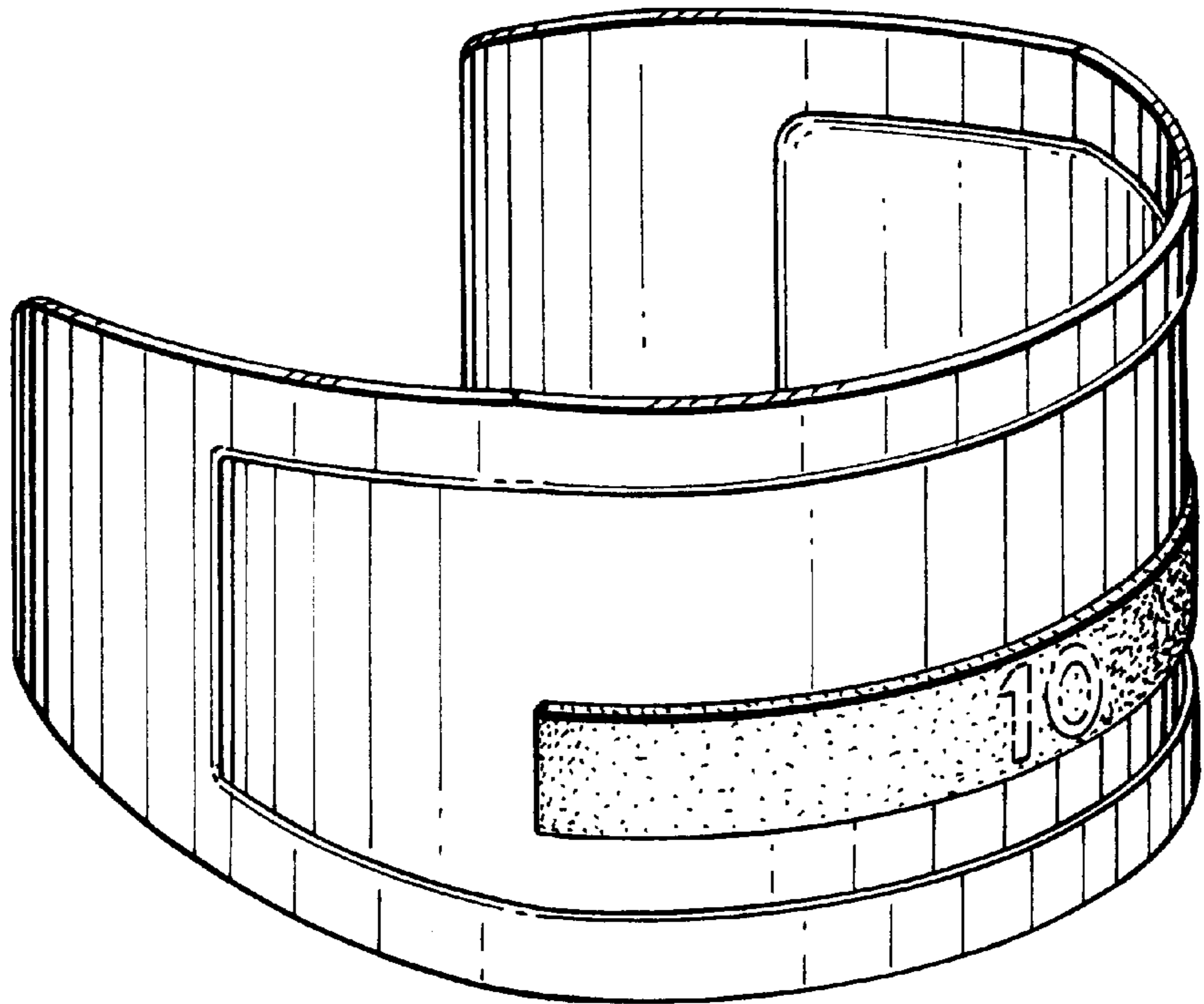


FIG. 2

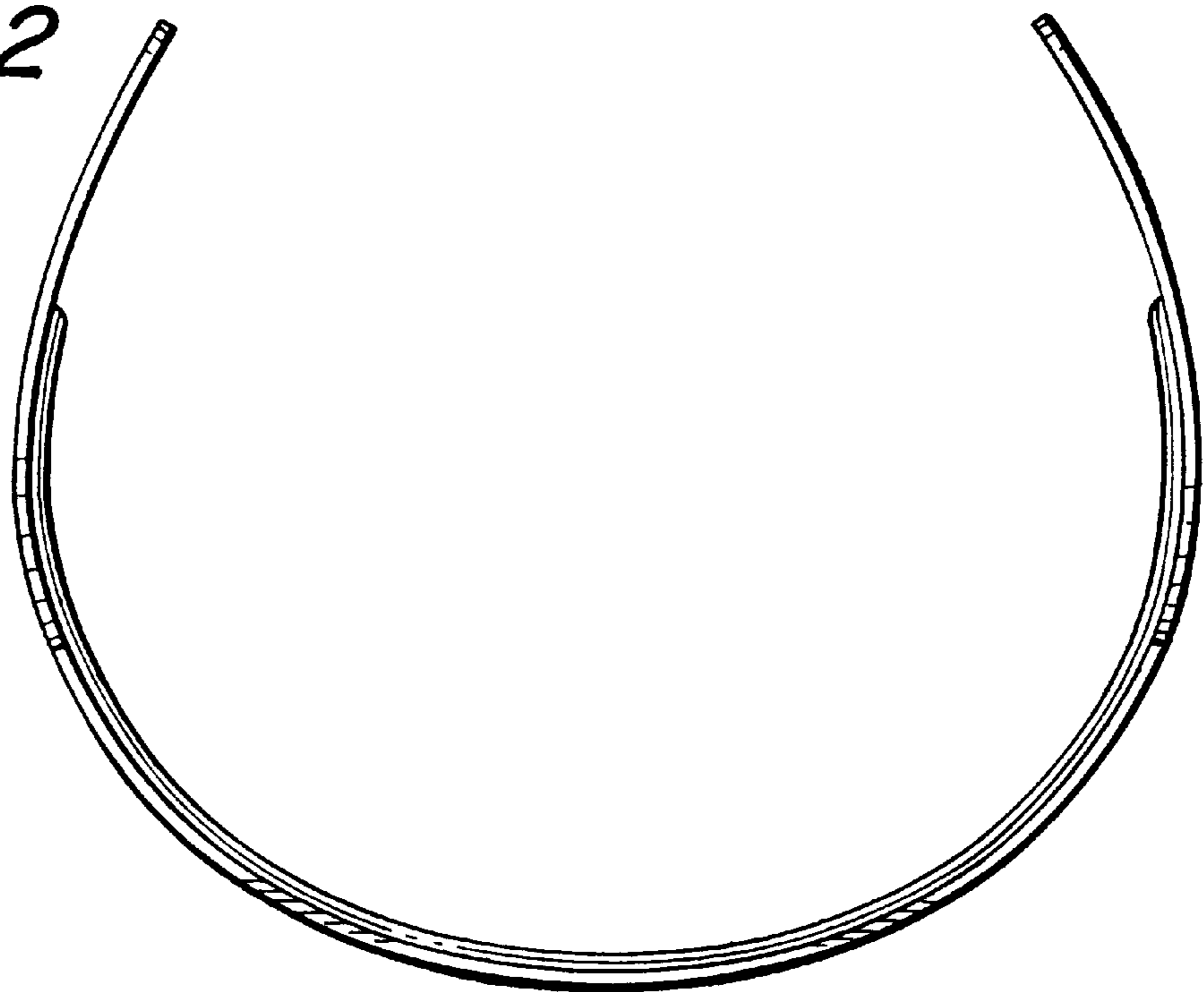


FIG. 3

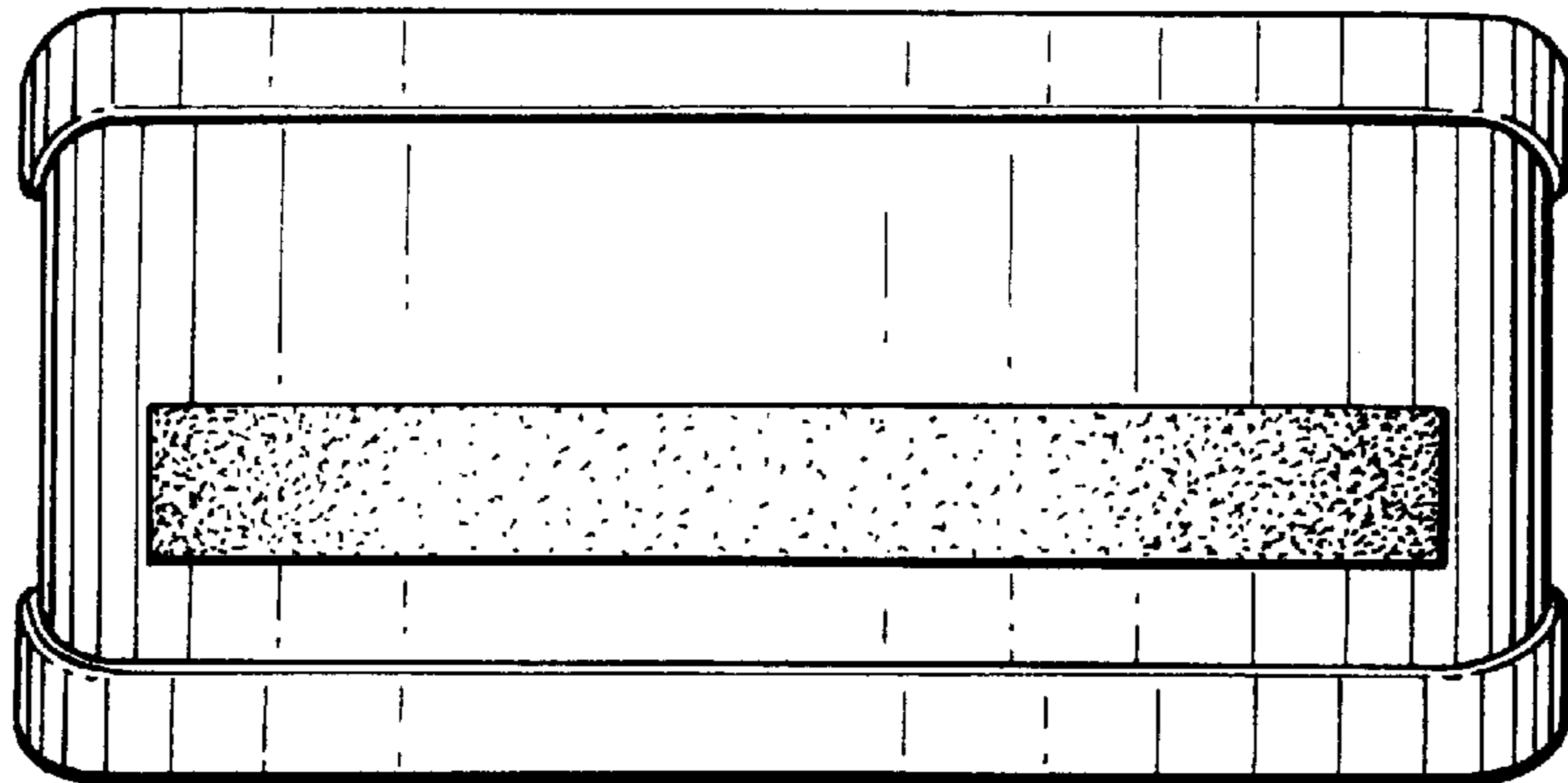


FIG. 4

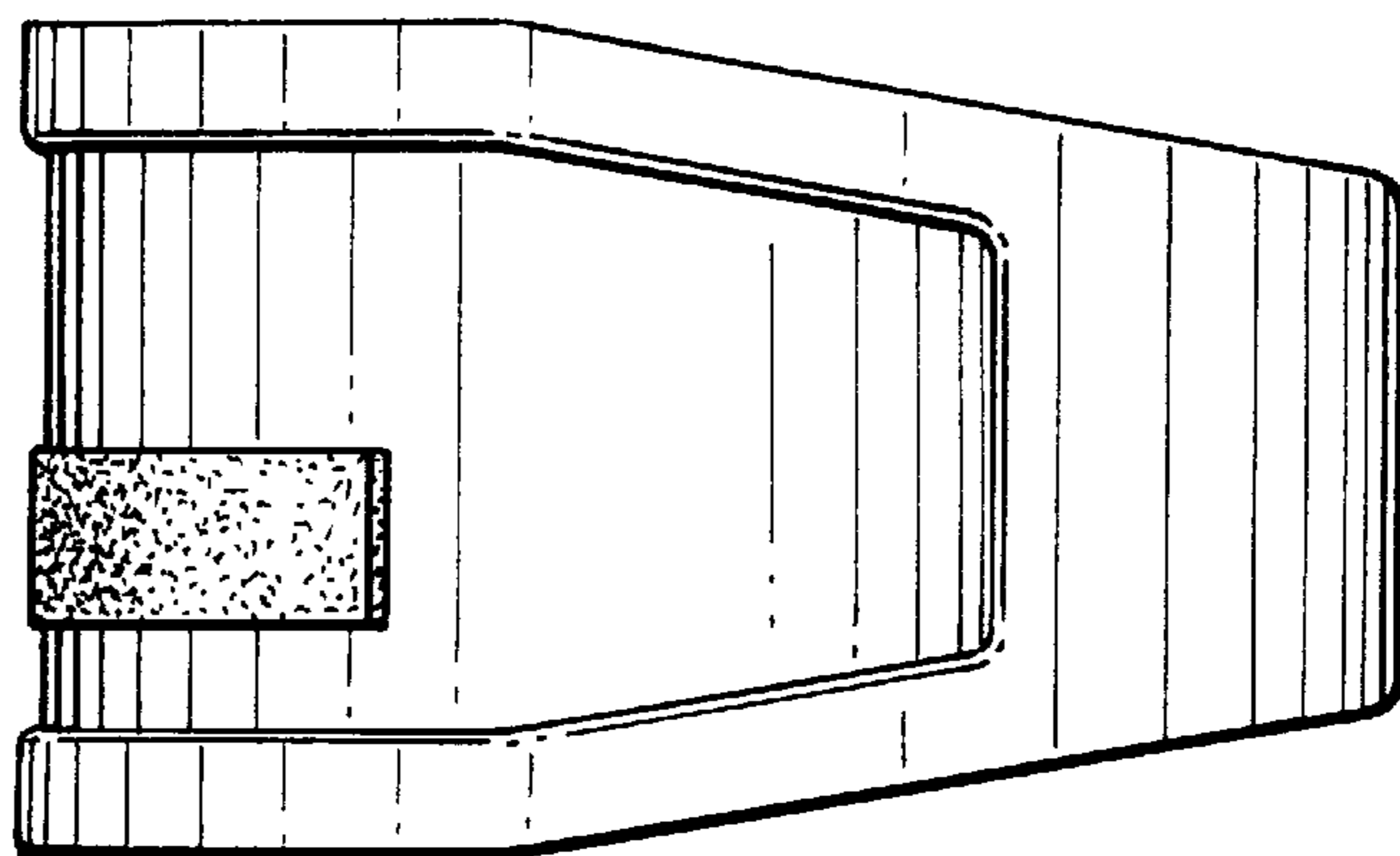


FIG. 5

