



US00D414429S

# United States Patent [19] Liao

[11] Patent Number: Des. 414,429

[45] Date of Patent: \*\* Sep. 28, 1999

[54] WATCH

[75] Inventor: Jeff Liao, Taipei, Taiwan

[73] Assignee: Hsiang Chang, Taipei, Taiwan

[\*\*] Term: 14 Years

[21] Appl. No.: 29/067,865

[22] Filed: Mar. 12, 1997

[51] LOC (6) Cl. .... 10-02

[52] U.S. Cl. .... D10/30; D10/39

[58] Field of Search ..... D10/1-40, 122-132;  
368/280-282, 276-277, 285

[56] **References Cited**

U.S. PATENT DOCUMENTS

- D. 343,797 2/1994 Santiccioli ..... D10/32
- D. 362,679 9/1995 Muller ..... D10/30
- D. 370,854 6/1996 Chodat ..... D10/38 X

OTHER PUBLICATIONS

- Hong Kong Enterprise*—Nov. 1987—p. 113—Watches.
- European Jeweler(G.Z.)*—Apr. 1990—p. 80—Watch at bottom left.

*European Jeweler(G.Z.)*—Apr. 1990—p. 82—Watches at top.

*Primary Examiner*—Nelson C. Holtie  
*Attorney, Agent, or Firm*—A & J

[57] **CLAIM**

The ornamental design for a watch, as shown and described.

**DESCRIPTION**

FIG. 1 is a perspective view of a watch showing my new design;

FIG. 2 is a front view thereof;

FIG. 3 is a rear view thereof;

FIG. 4 is a left side elevational view thereof;

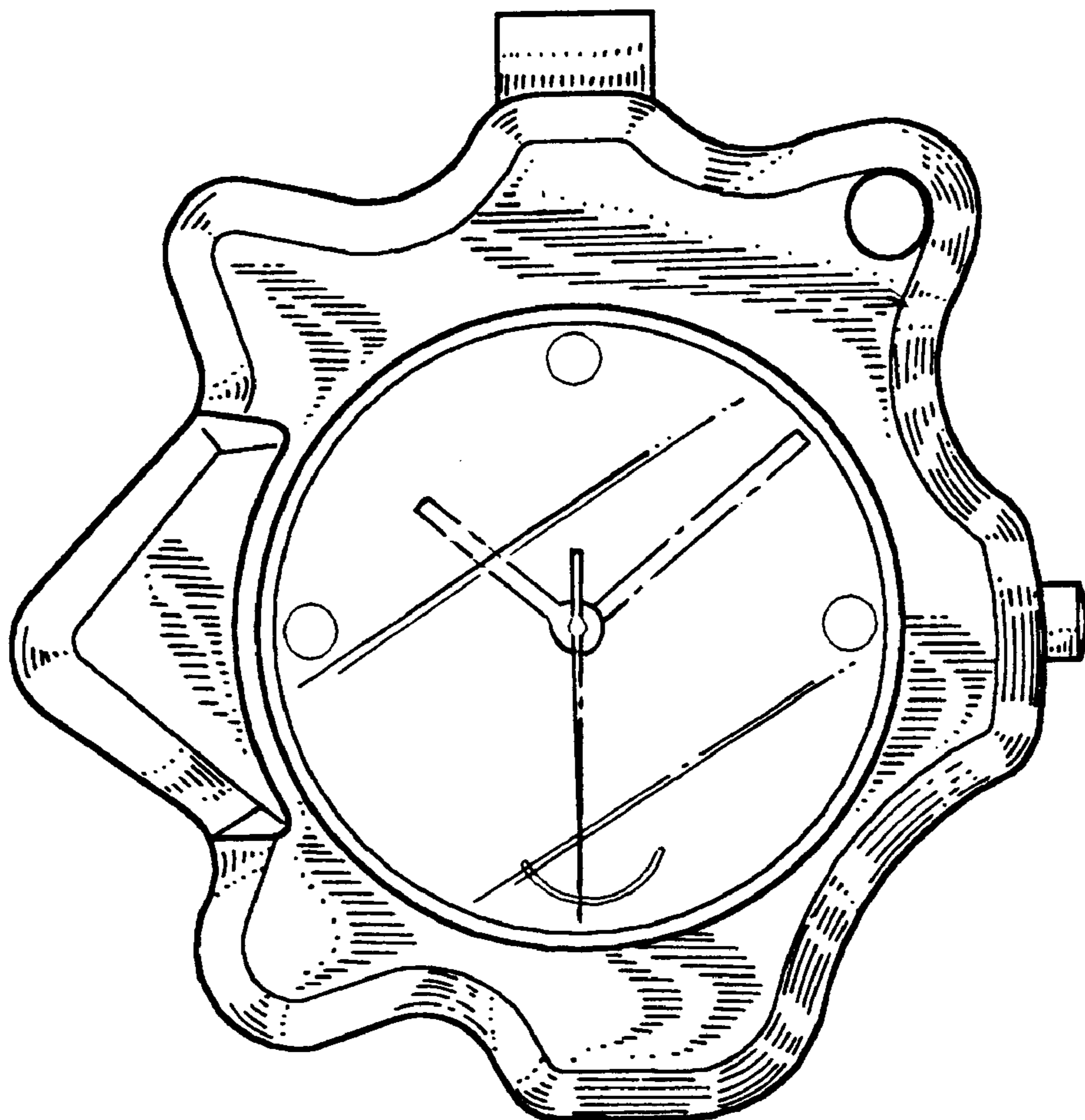
FIG. 5 is a right side elevational view thereof;

FIG. 6 is a top plan view thereof; and,

FIG. 7 is a bottom plan view thereof.

The broken line showing of hands is for illustrative purposes only and forms no part of the claimed design.

1 Claim, 4 Drawing Sheets



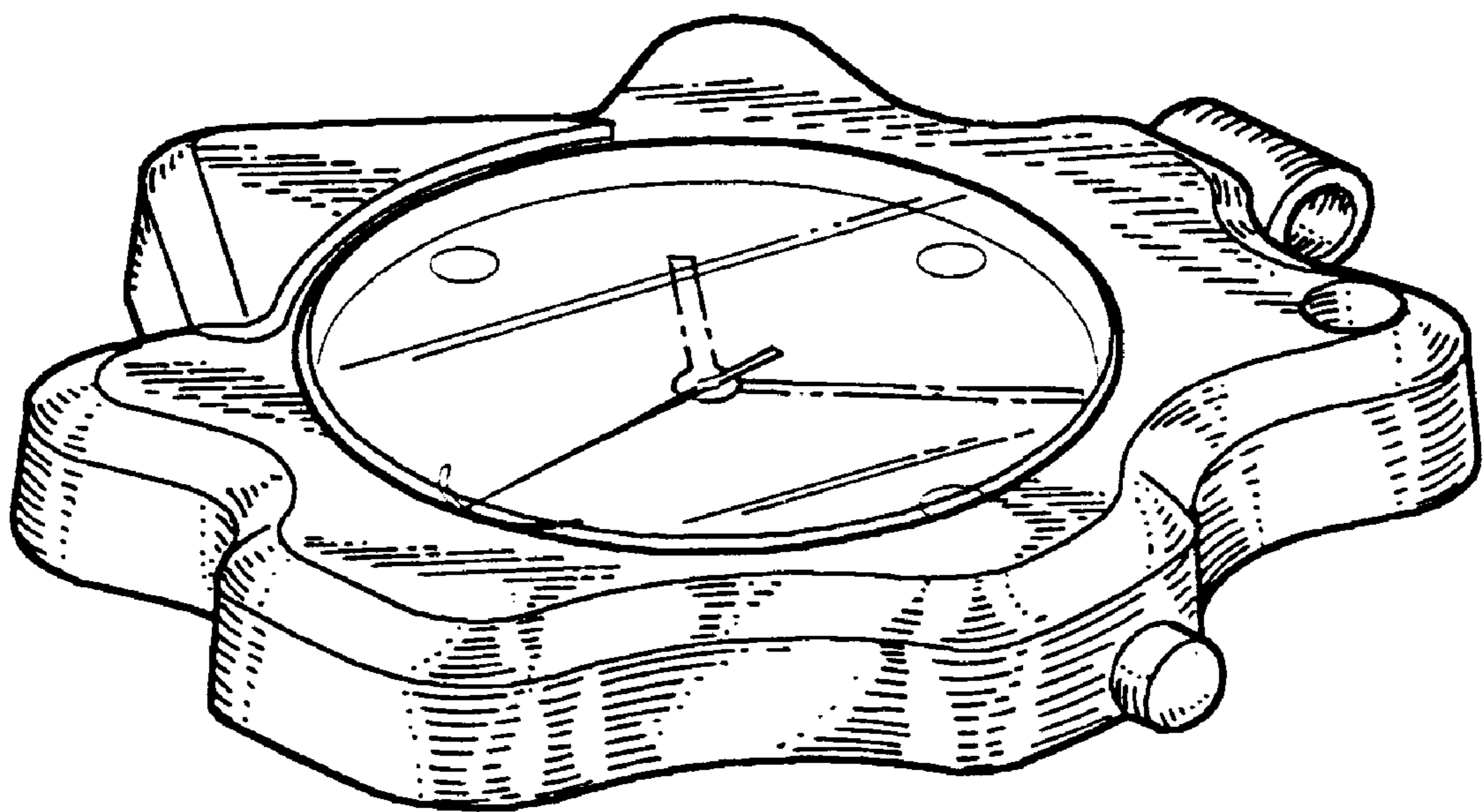


FIG. 1

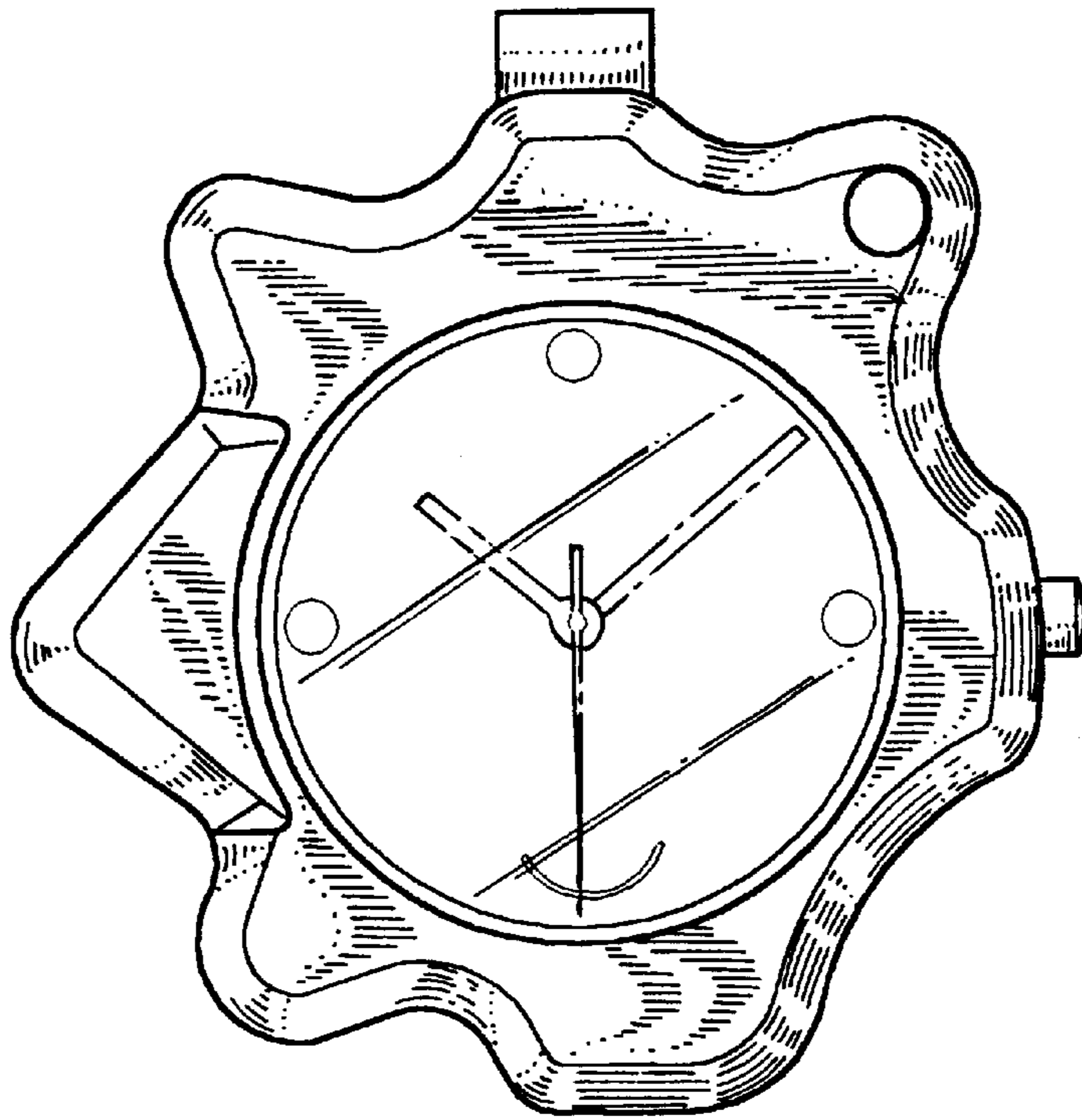


FIG. 2

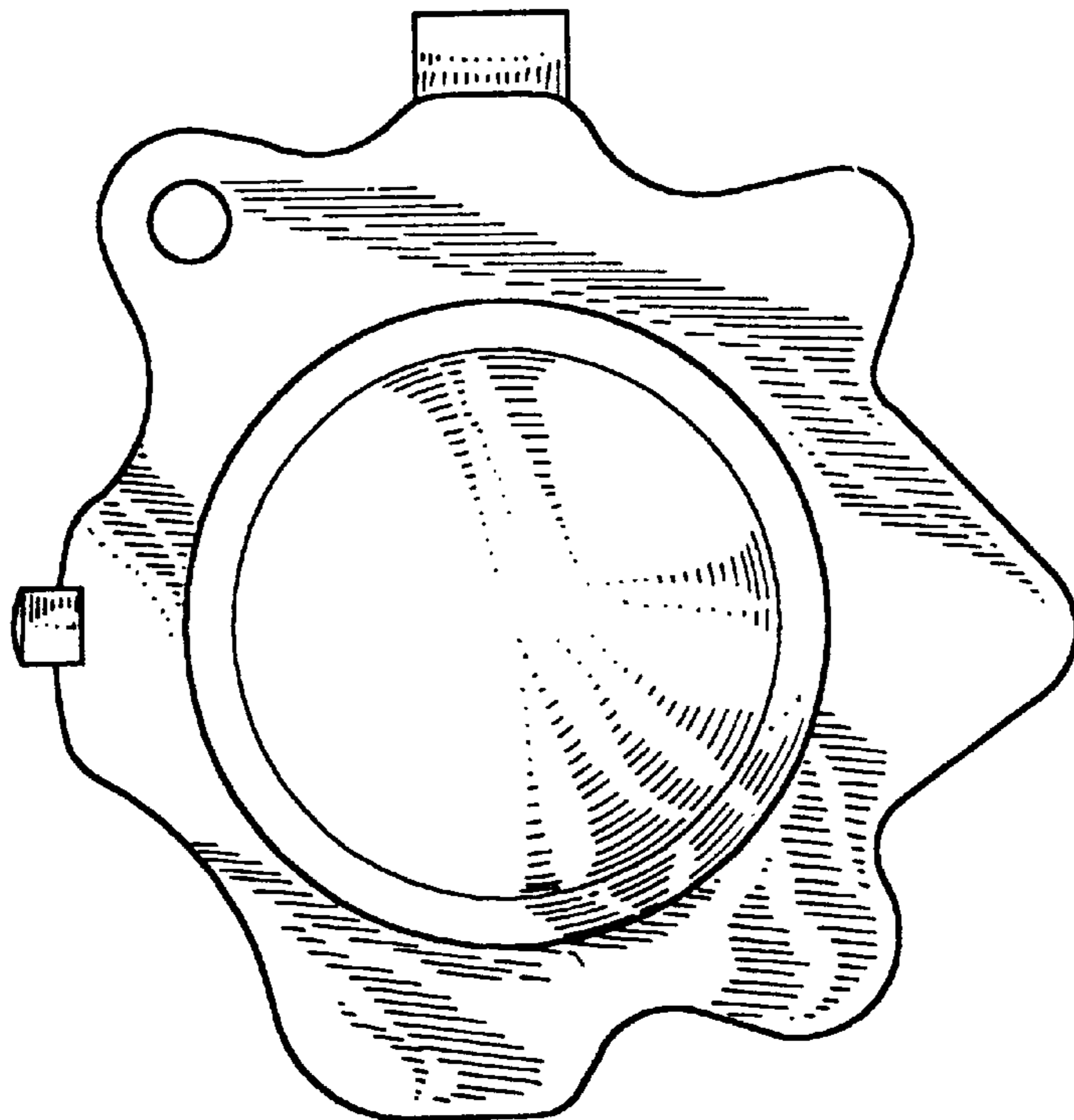


FIG. 3

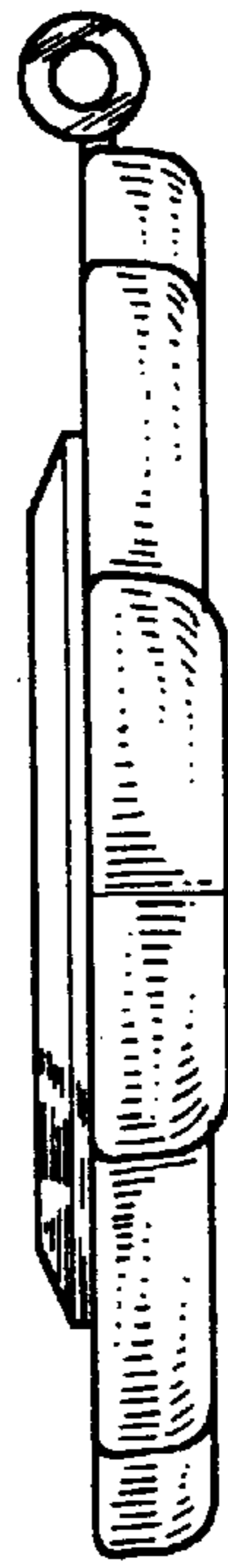


FIG. 4

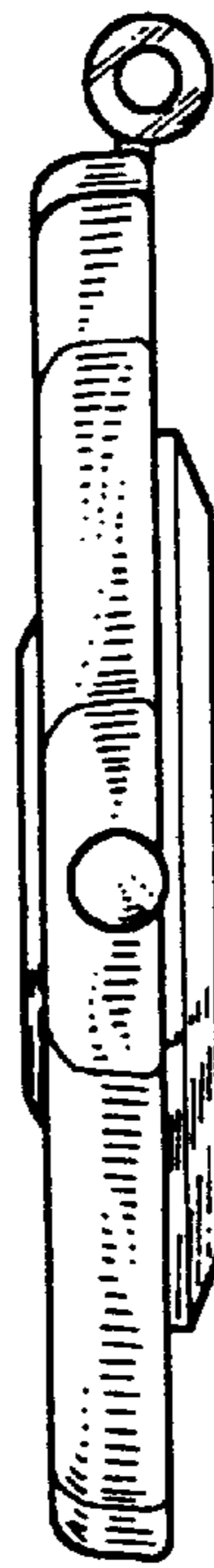


FIG. 5

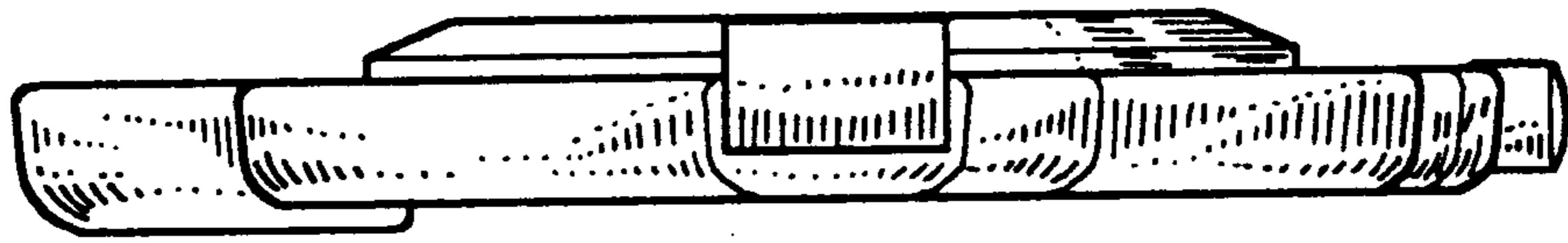


FIG. 6

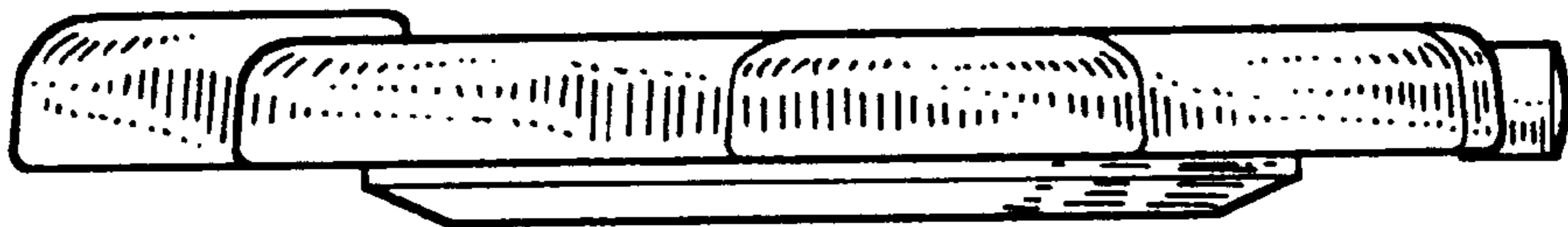


FIG. 7