



US00D414428S

United States Patent [19]
Frantz

[11] **Patent Number: Des. 414,428**

[45] **Date of Patent: ** Sep. 28, 1999**

[54] **CLOCK**

[76] Inventor: **Matthew H. Frantz**, 8537 Foxcroft Dr., Cincinnati, Ohio 45231

[**] Term: **14 Years**

[21] Appl. No.: **29/083,337**

[22] Filed: **Feb. 6, 1998**

[51] **LOC (6) Cl. 10-01**

[52] **U.S. Cl. D10/22**

[58] **Field of Search D10/1-40, 122-132; 368/276-277, 285, 316-317**

[56] **References Cited**

U.S. PATENT DOCUMENTS

D. 93,727	10/1934	Lux .	
D. 95,188	4/1935	Schlenker .	
D. 97,453	11/1935	Bars .	
D. 97,781	12/1935	Patten .	
D. 124,608	1/1941	Lux .	
D. 172,102	5/1954	Lux .	
D. 190,749	6/1961	Marti .	
D. 253,522	11/1979	Rutenberg D10/22
D. 322,575	12/1991	Odaka D10/28
D. 322,761	12/1991	Endo D10/28
D. 346,971	5/1994	Takashima D10/28

Primary Examiner—Nelson C. Holtje
Attorney, Agent, or Firm—Dinsmore & Shohl LLP

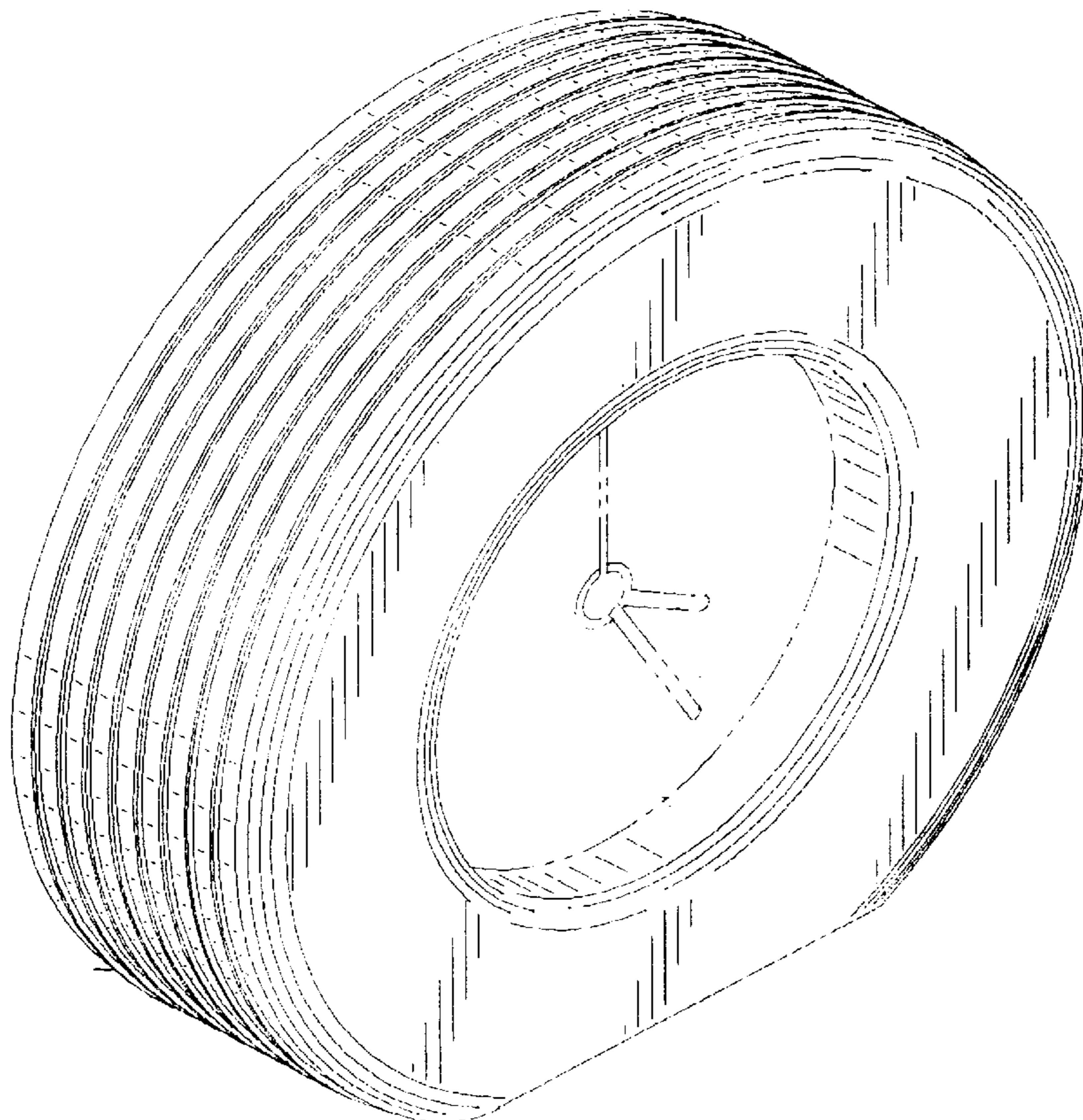
[57] **CLAIM**

The ornamental design for a clock, as shown and described.

DESCRIPTION

FIG. 1 is a side perspective view of a clock embodying my new design;
 FIG. 2 is a top view of the clock of FIG. 1;
 FIG. 3 is a side view of the clock of FIG. 1, the opposite side being a mirror image thereof;
 FIG. 4 is a bottom view of the clock of FIG. 1;
 FIG. 5 is a rear view of the clock of FIG. 1;
 FIG. 6 is a front view of the clock of FIG. 1;
 FIG. 7 is a side perspective view of a first alternative embodiment of the clock embodying my new design;
 FIG. 8 is a top view of the clock of FIG. 7;
 FIG. 9 is a side view of the clock of FIG. 7, the opposite side being a mirror image thereof;
 FIG. 10 is a bottom view of the clock of FIG. 7;
 FIG. 11 is a rear view of the clock of FIG. 7;
 FIG. 12 is a front view of the clock of FIG. 7;
 FIG. 13 is a side perspective view of a second alternative embodiment of the clock embodying my new design;
 FIG. 14 is a top view of the clock of FIG. 13;
 FIG. 15 is a side view of the clock of FIG. 13, the opposite side being a mirror image thereof;
 FIG. 16 is a bottom view of the clock of FIG. 13;
 FIG. 17 is a rear view of the clock of FIG. 13; and,
 FIG. 18 is a front view of the clock of FIG. 13.

1 Claim, 9 Drawing Sheets



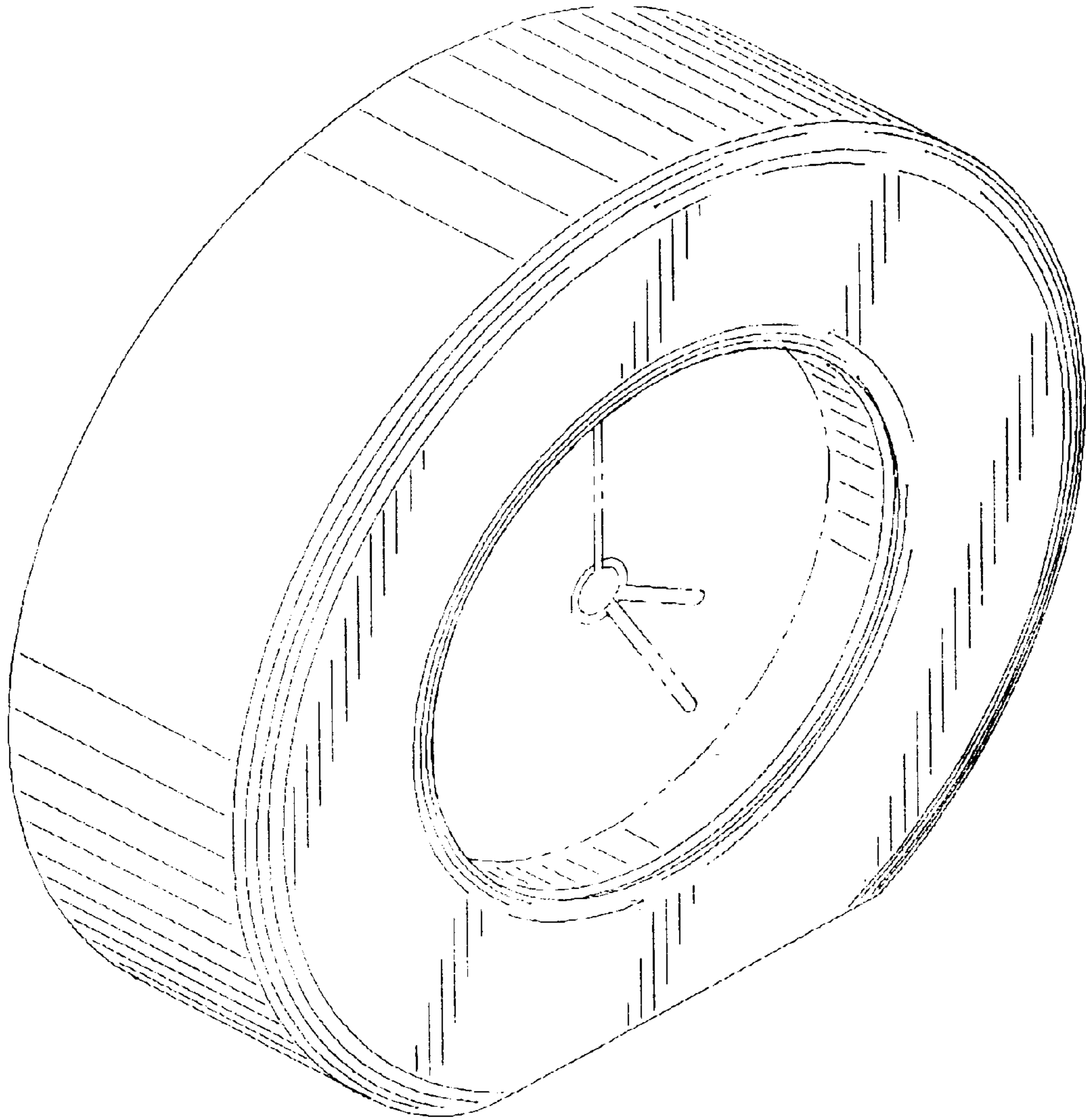


FIG. 1

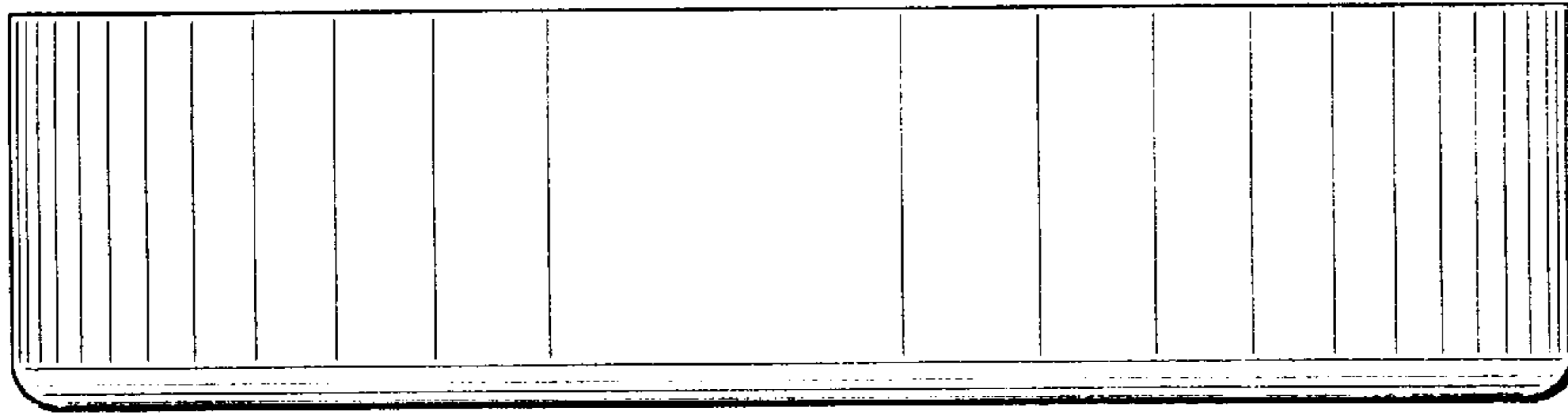


FIG. 2

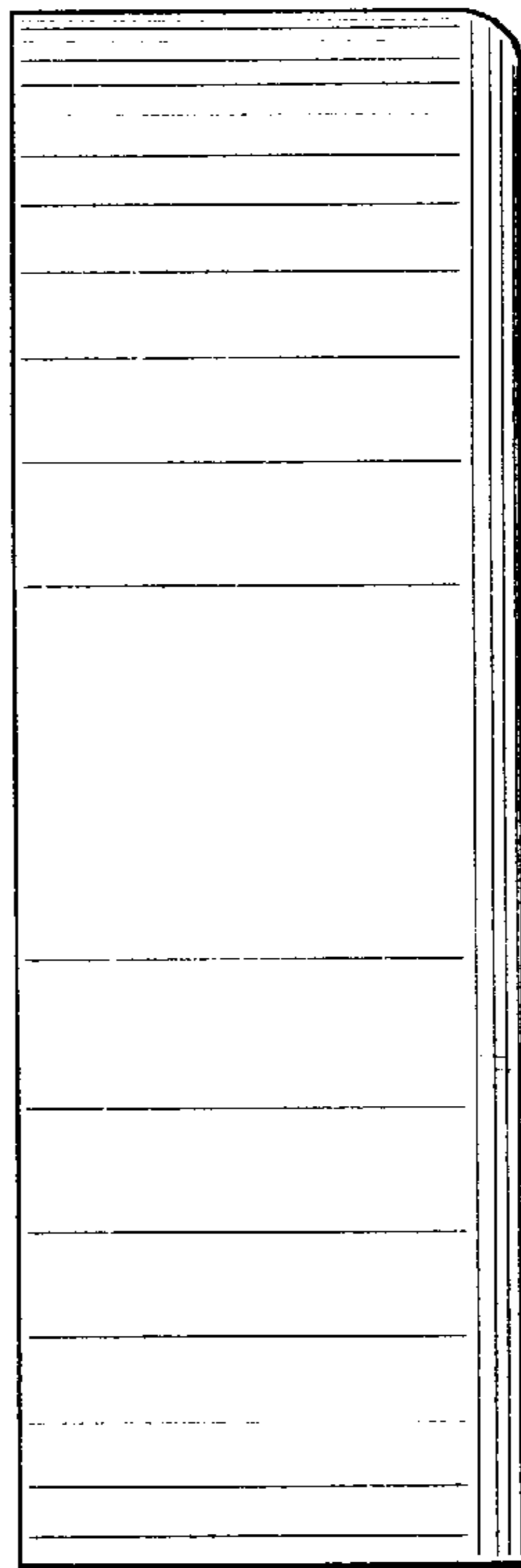


FIG. 3

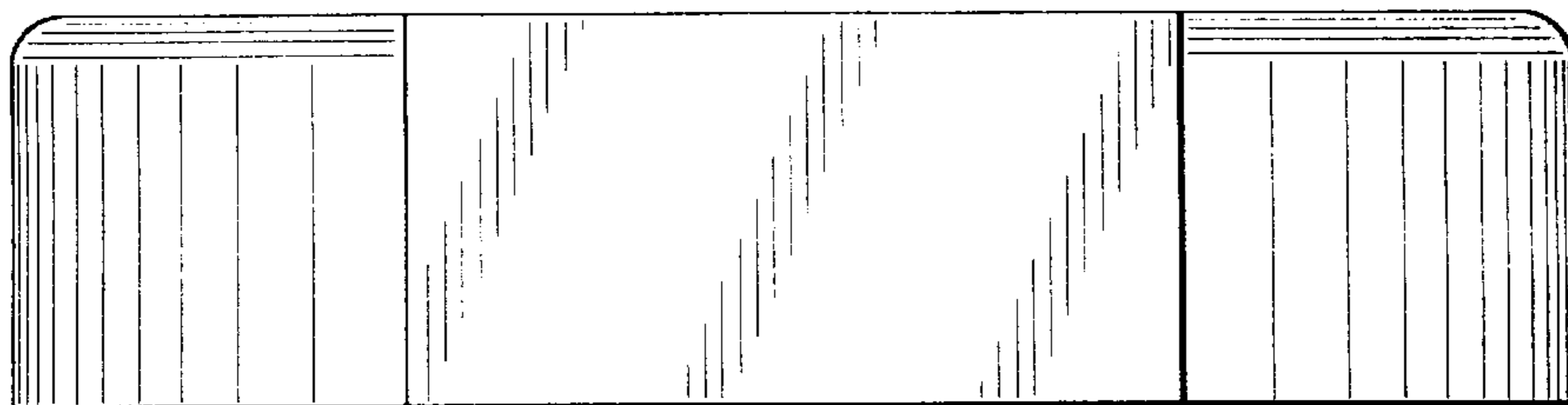


FIG. 4

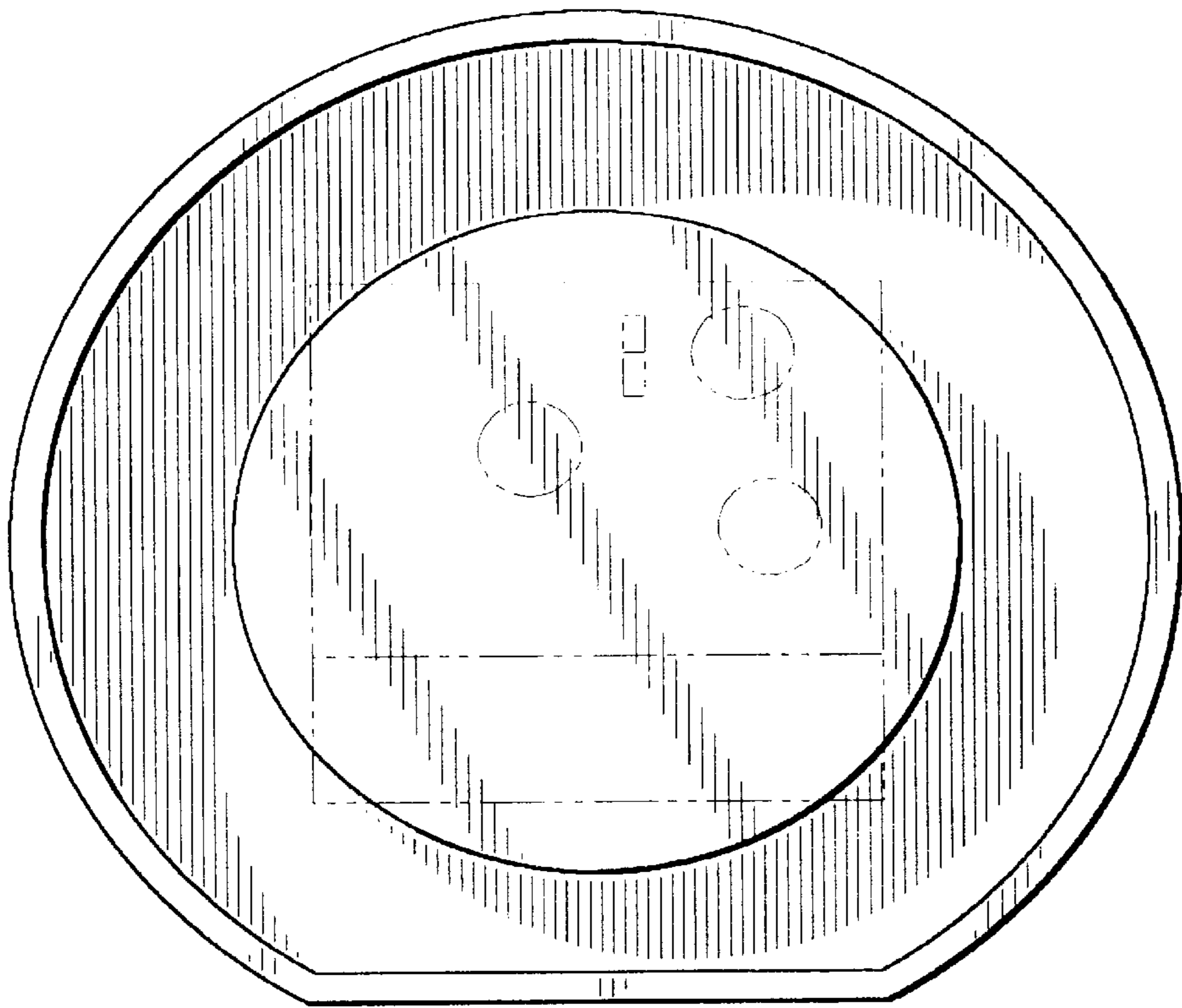


FIG. 5

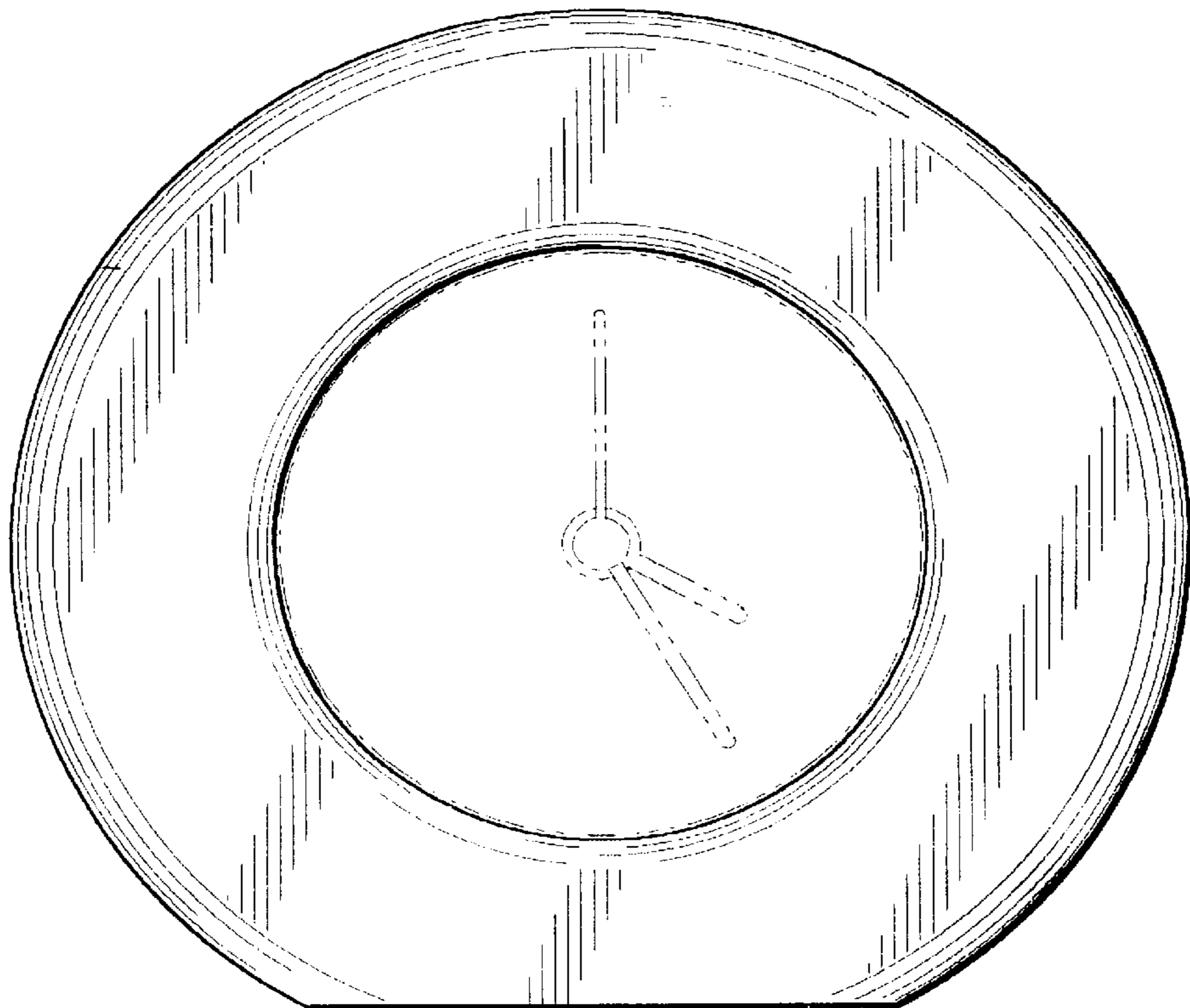


FIG. 6

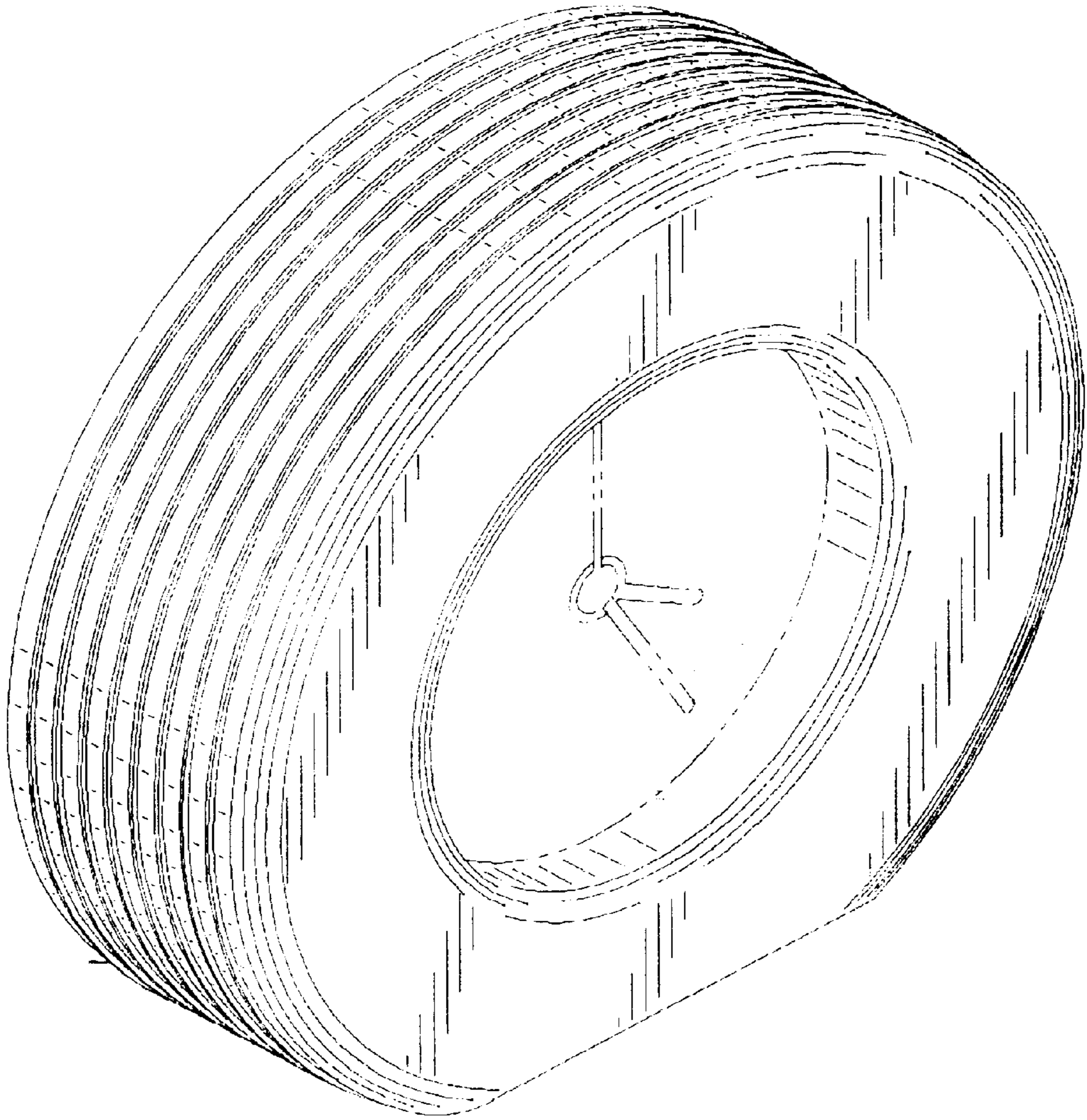


FIG. 7

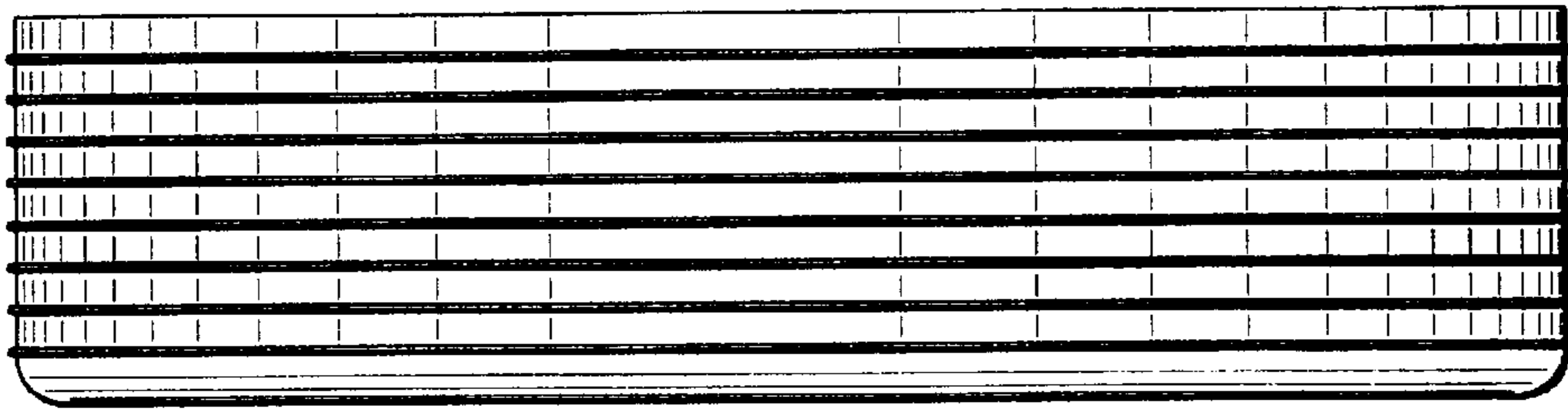


FIG. 8

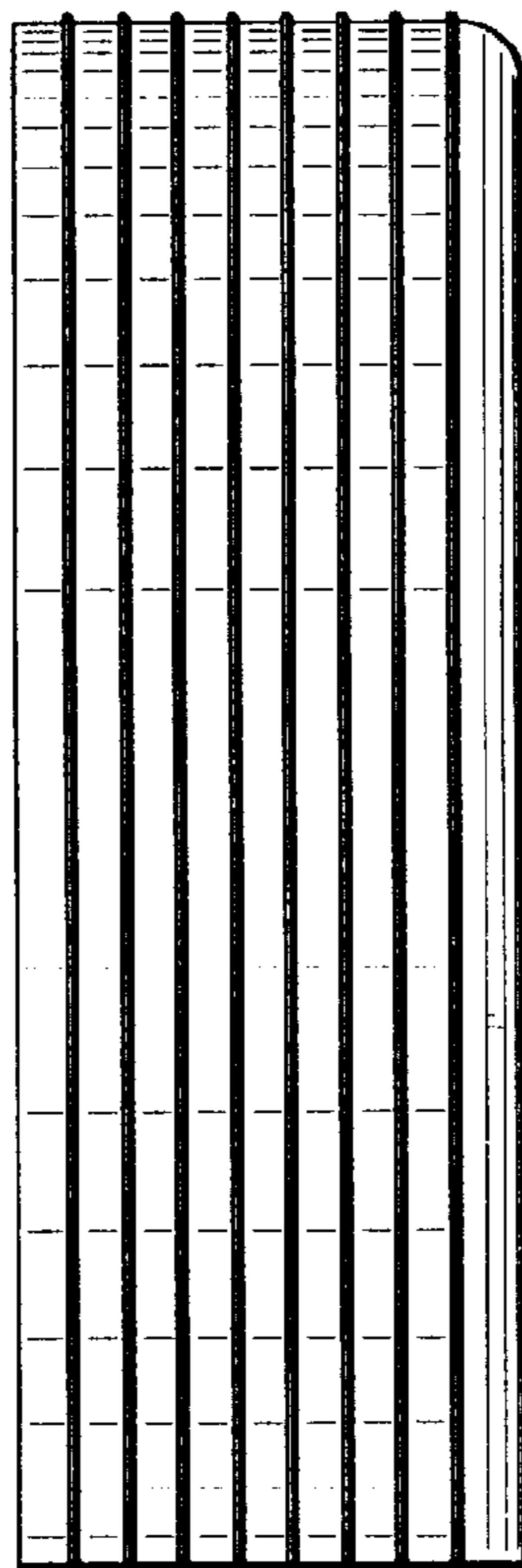


FIG. 9

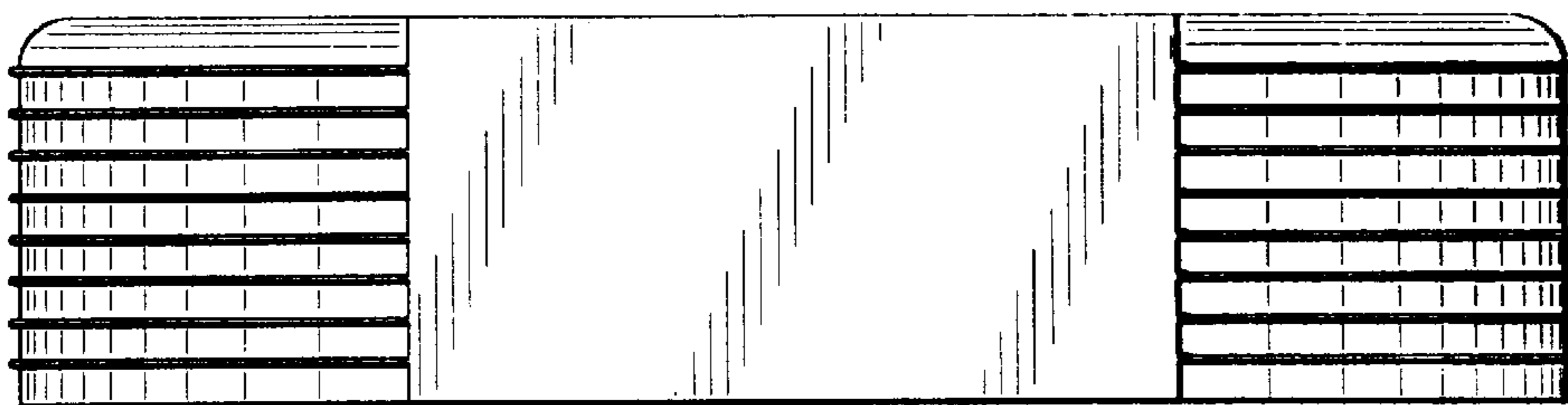


FIG. 10

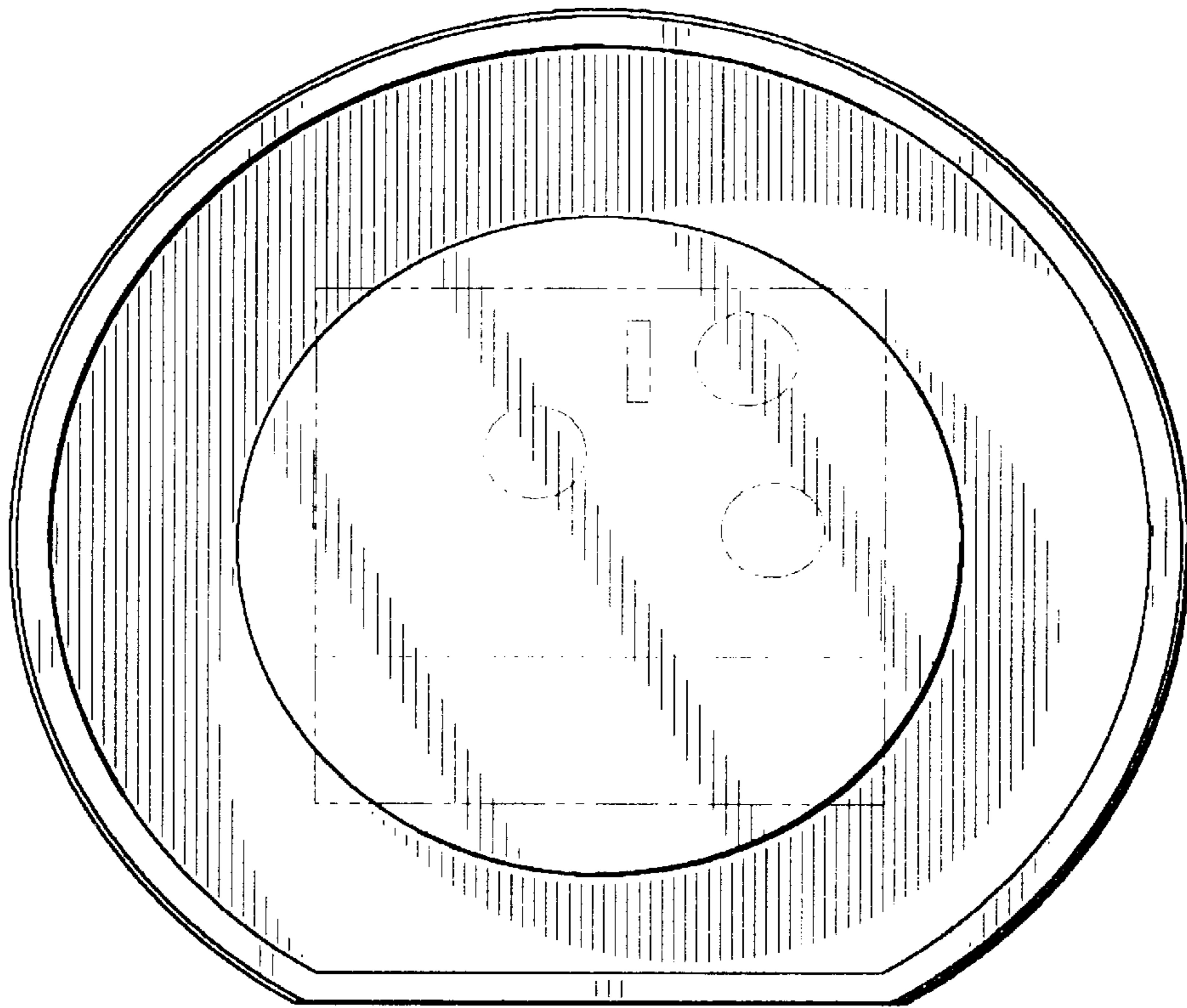


FIG. 11

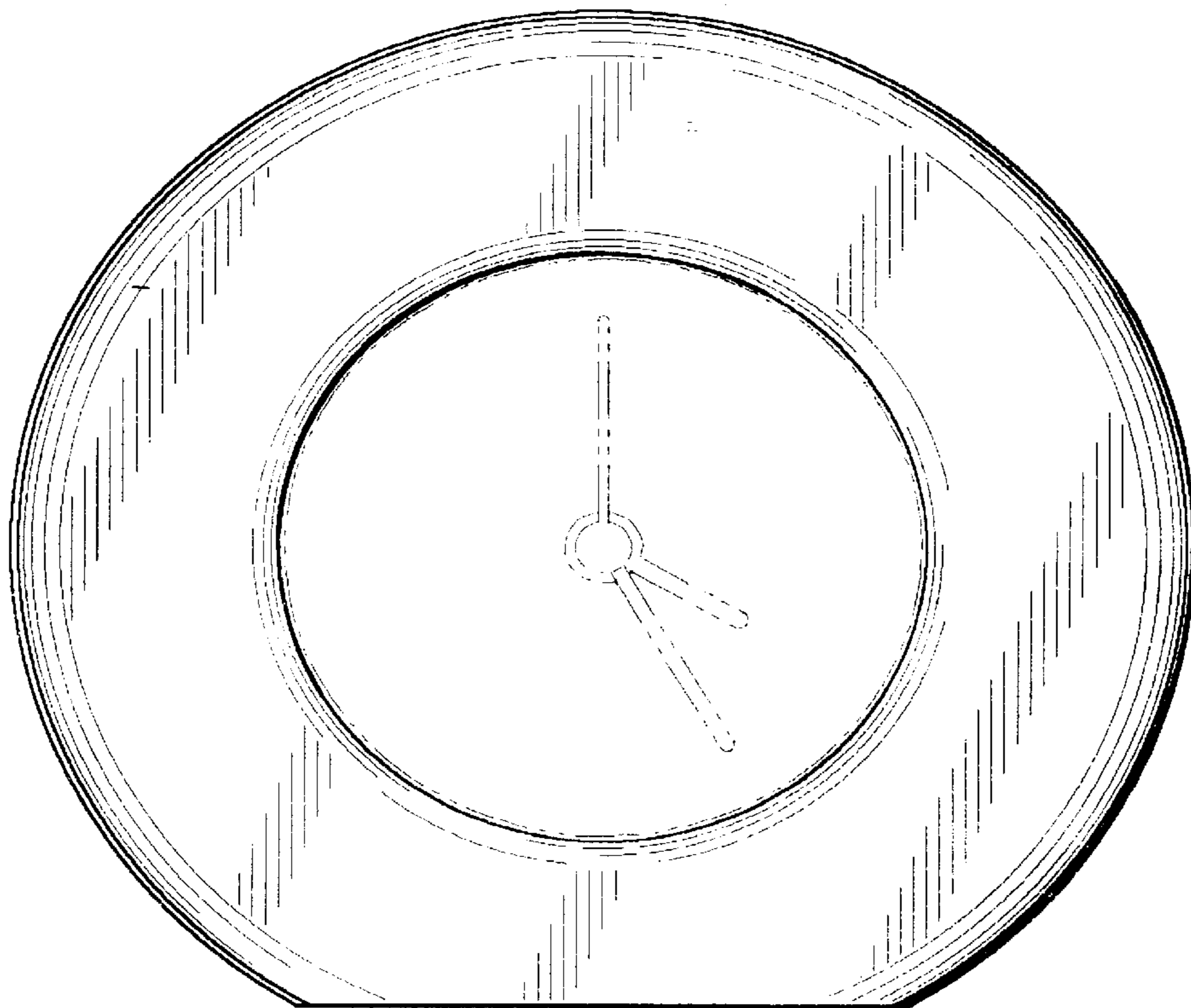


FIG. 12

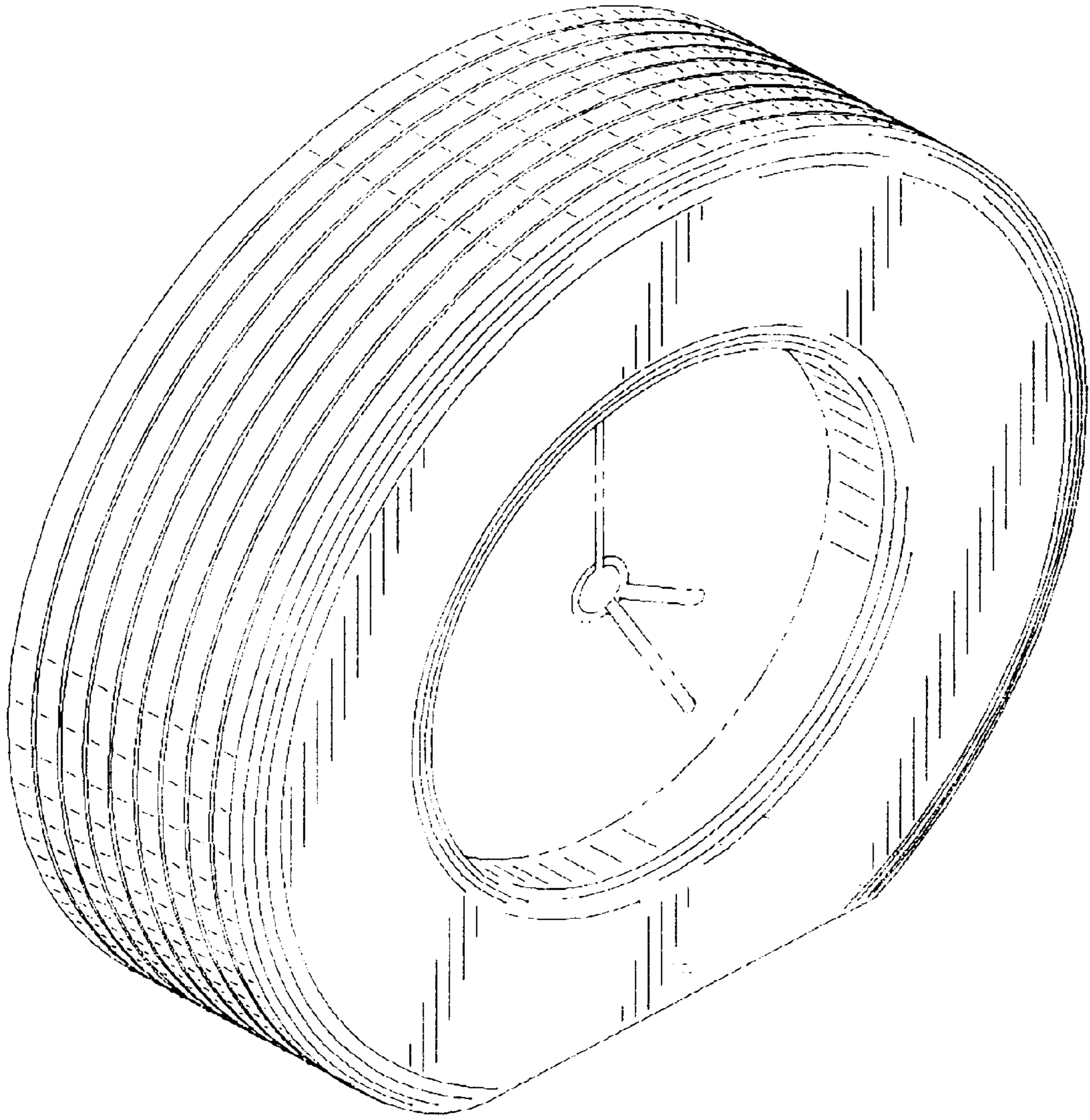


FIG. 13

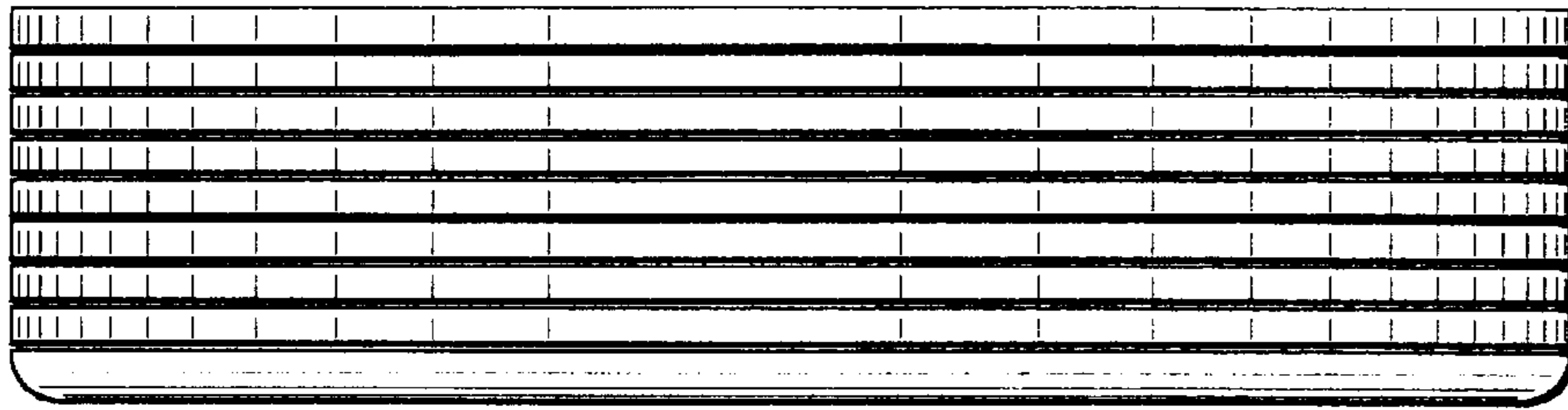


FIG. 14

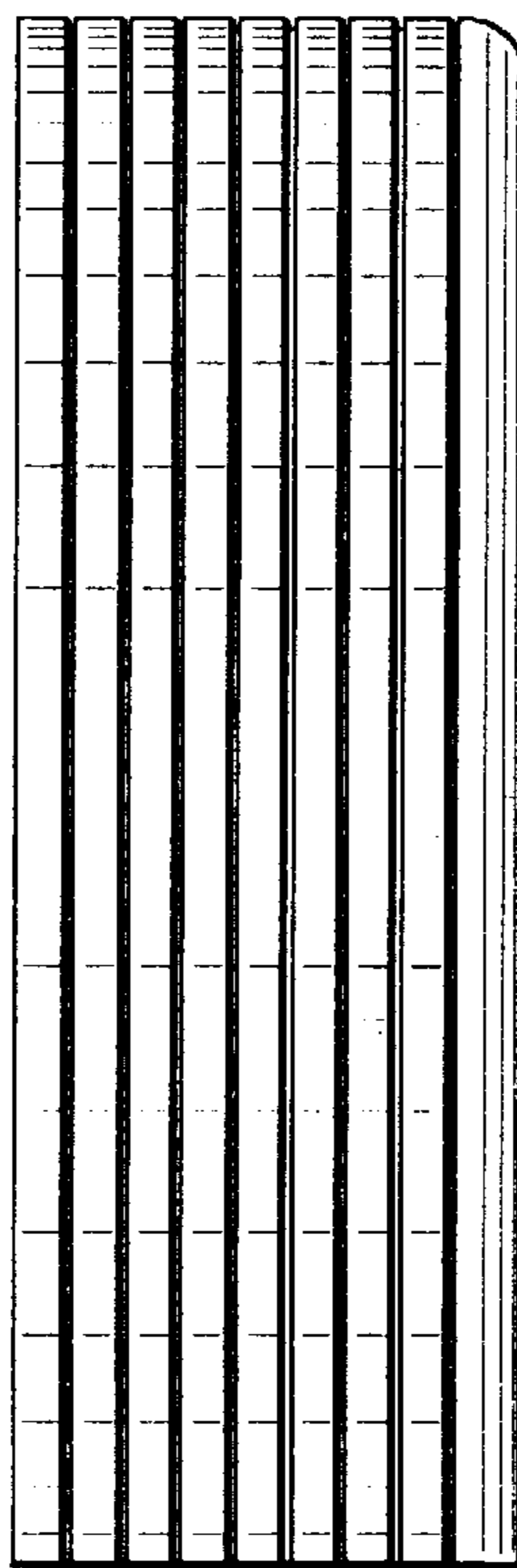


FIG. 15

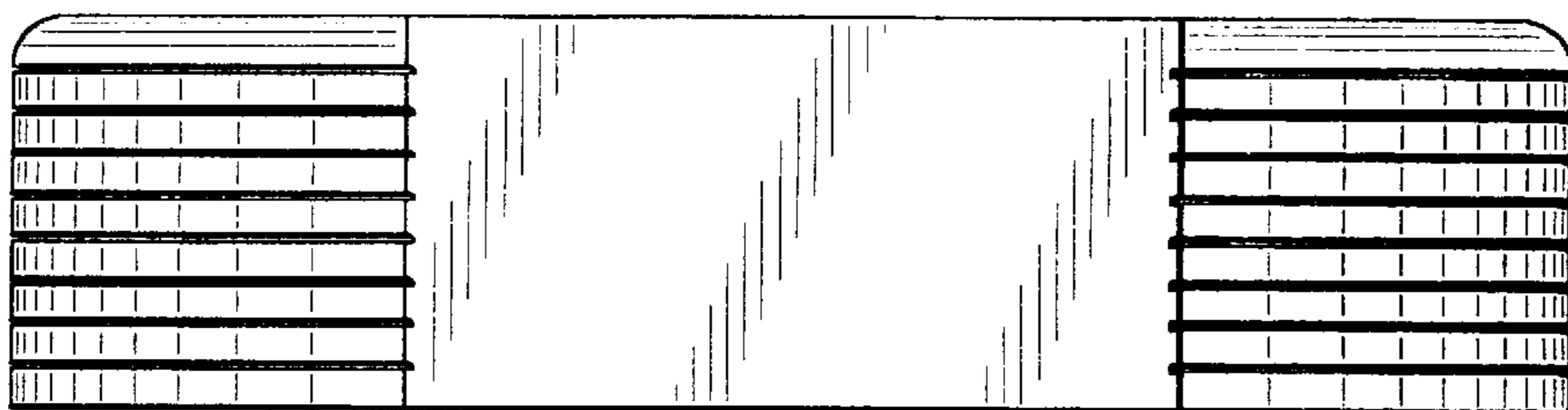


FIG. 16

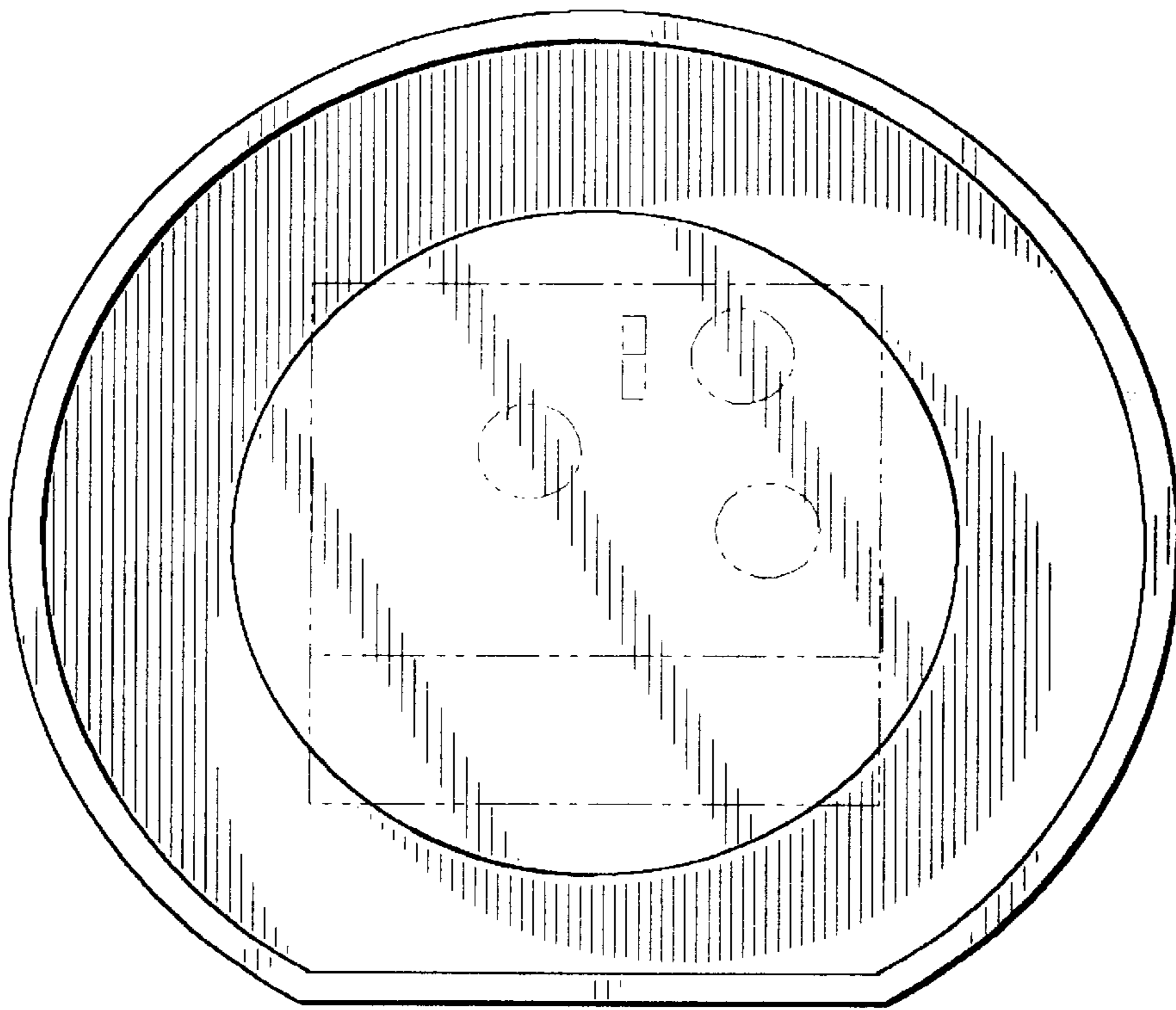


FIG. 17

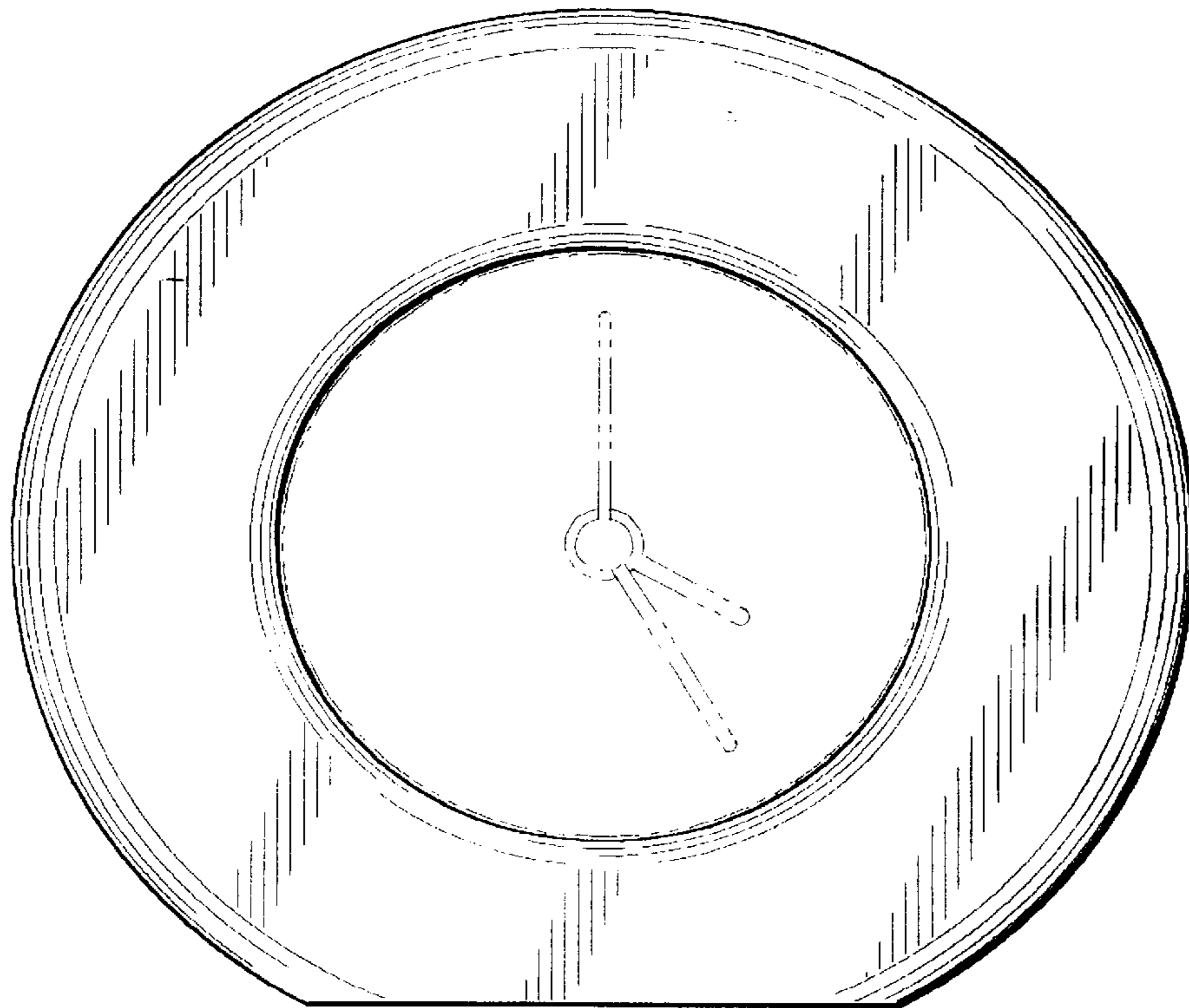


FIG. 18