



US00D414427S

United States Patent [19]
Maddy

[11] **Patent Number: Des. 414,427**
[45] **Date of Patent: ** Sep. 28, 1999**

[54] **BOTTLE**

[75] Inventor: **Timothy P. Maddy**, Dallas, Tex.

[73] Assignee: **Mary Kay Inc.**, Del.

[*] Notice: This patent is subject to a terminal disclaimer.

[**] Term: **14 Years**

[21] Appl. No.: **29/069,602**

[22] Filed: **May 2, 1997**

[51] **LOC (6) Cl.** **09-01**

[52] **U.S. Cl.** **D9/558; D9/545**

[58] **Field of Search** D9/544, 545, 574,
D9/538, 539, 540, 500, 503, 505, 558;
215/382, 383, 384

[56] **References Cited**

U.S. PATENT DOCUMENTS

- D. 198,054 4/1964 Lowry D9/504
- D. 313,748 1/1991 Dinand .
- D. 323,458 1/1992 Dinand .
- D. 332,752 1/1993 Lemahieu .
- D. 333,619 3/1993 Lemahieu .
- D. 339,069 9/1993 Mansau .
- D. 339,296 9/1993 Bompard .

- D. 355,601 2/1995 Buettner et al. D9/503
- D. 355,602 2/1995 Buettner et al. .
- D. 355,604 2/1995 De Baschmakoff .
- D. 368,431 4/1996 Desgrippes et al. .
- D. 375,052 10/1996 Lathrop et al. D9/545 X

Primary Examiner—Lucy Lieberman
Attorney, Agent, or Firm—Finnegan, Henderson, Farabow, Garrett & Dunner, L.L.P.

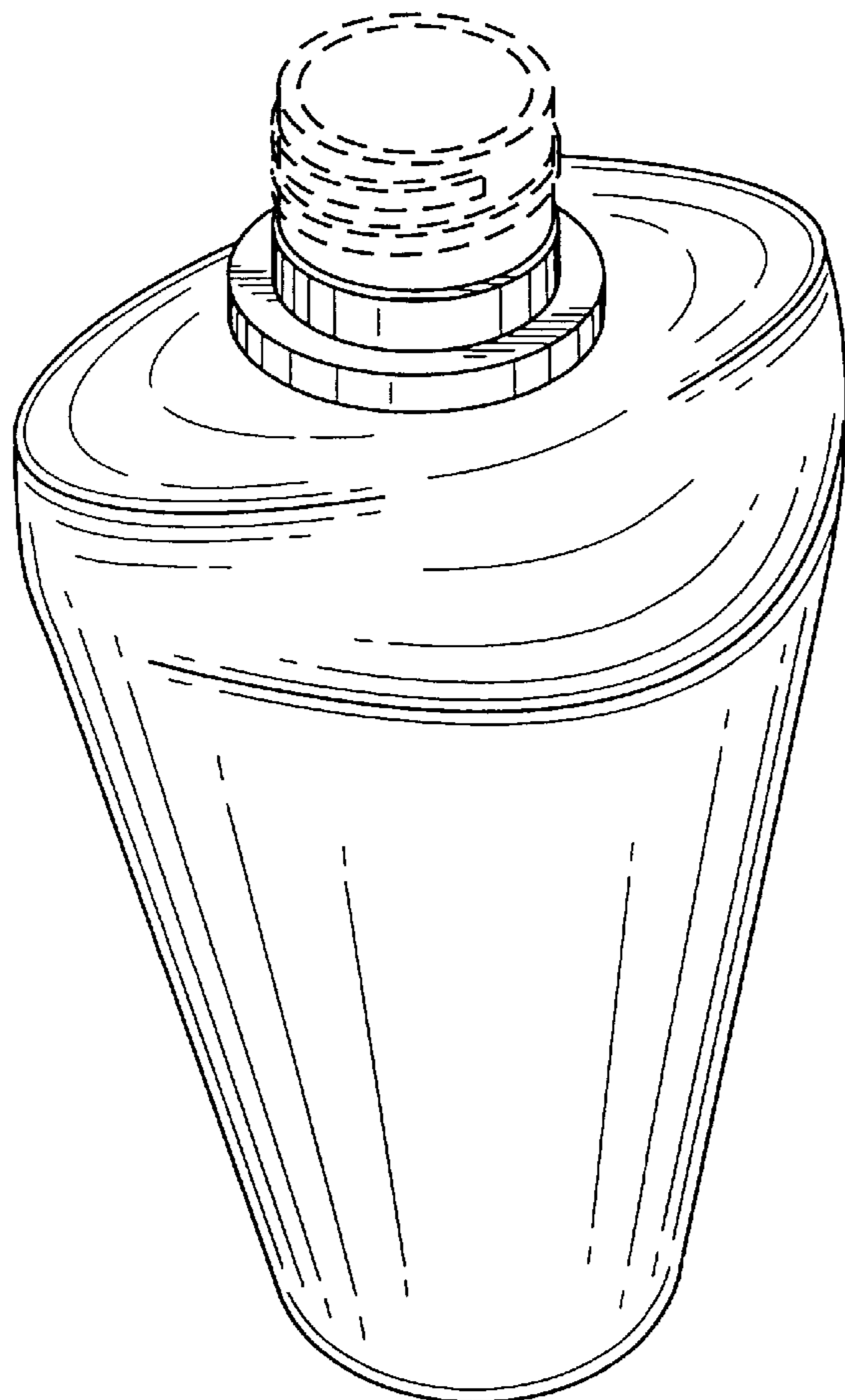
[57] **CLAIM**

The ornamental design for a bottle, as shown and described.

DESCRIPTION

FIG. 1 is a perspective view of a bottle embodying my design;
 FIG. 2 is a front elevational view thereof, the rear elevational view being identical thereto;
 FIG. 3 is a right side elevation thereof, the left side elevation is the same;
 FIG. 4 is a top plan view thereof;
 FIG. 5 is a bottom plan view thereof; and,
 FIG. 6 is a perspective view of a second embodiment of the bottle, which is the same as the first embodiment except that it is transparent.
 The broken lines showing a bottle neck are for illustrative purposes only and do not form part of the claimed design.

1 Claim, 4 Drawing Sheets



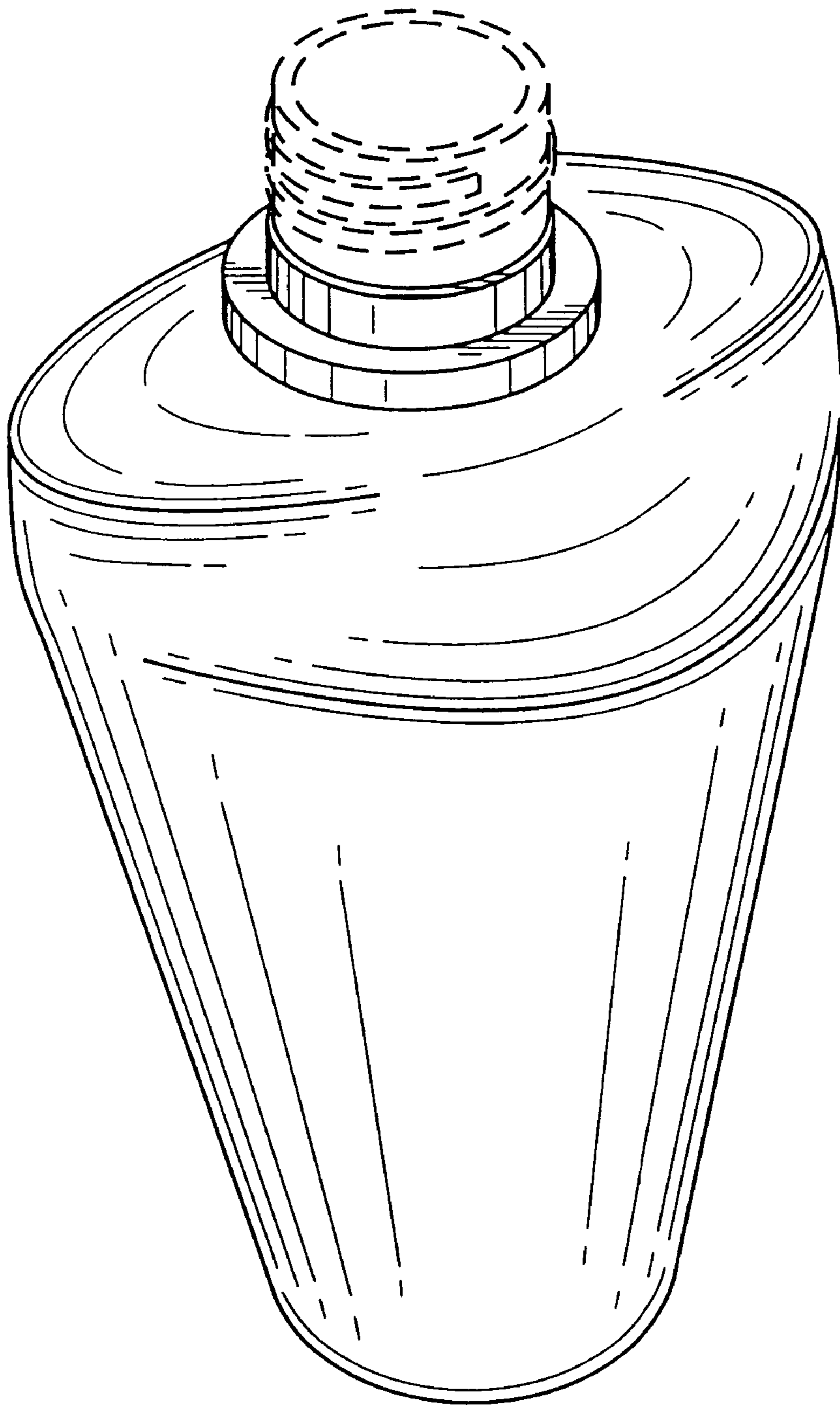


FIG. 1

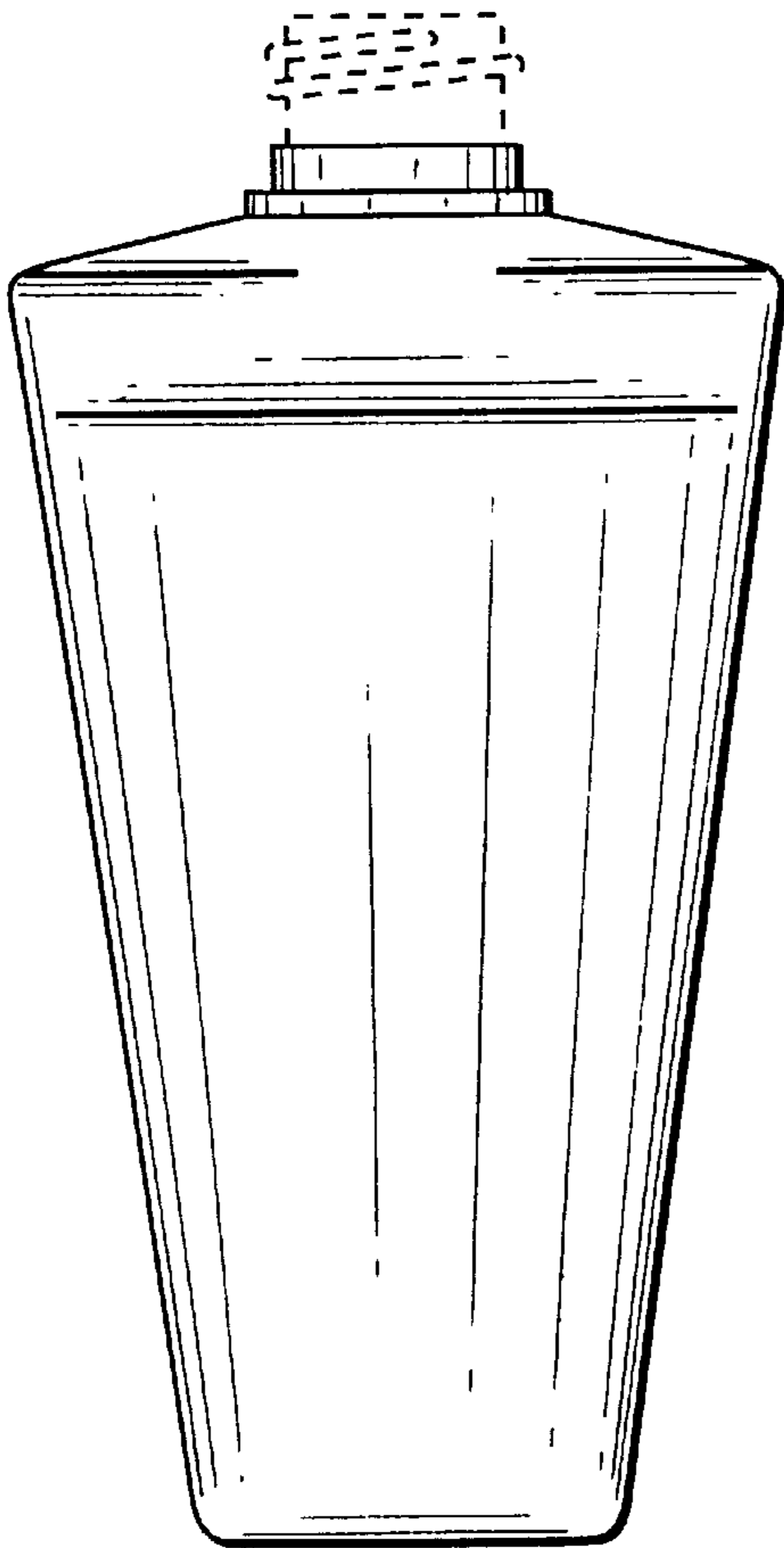


FIG. 2

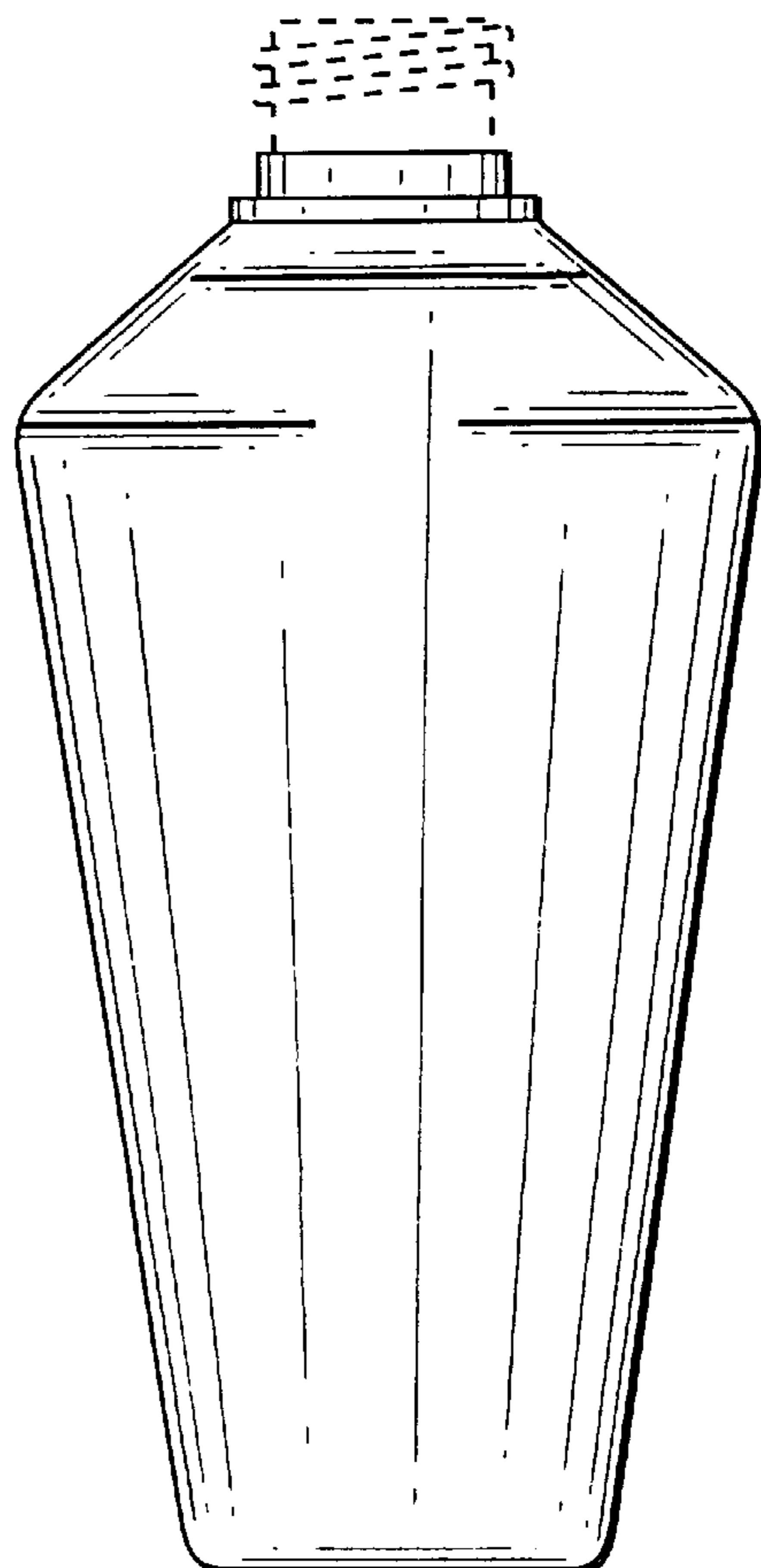


FIG. 3

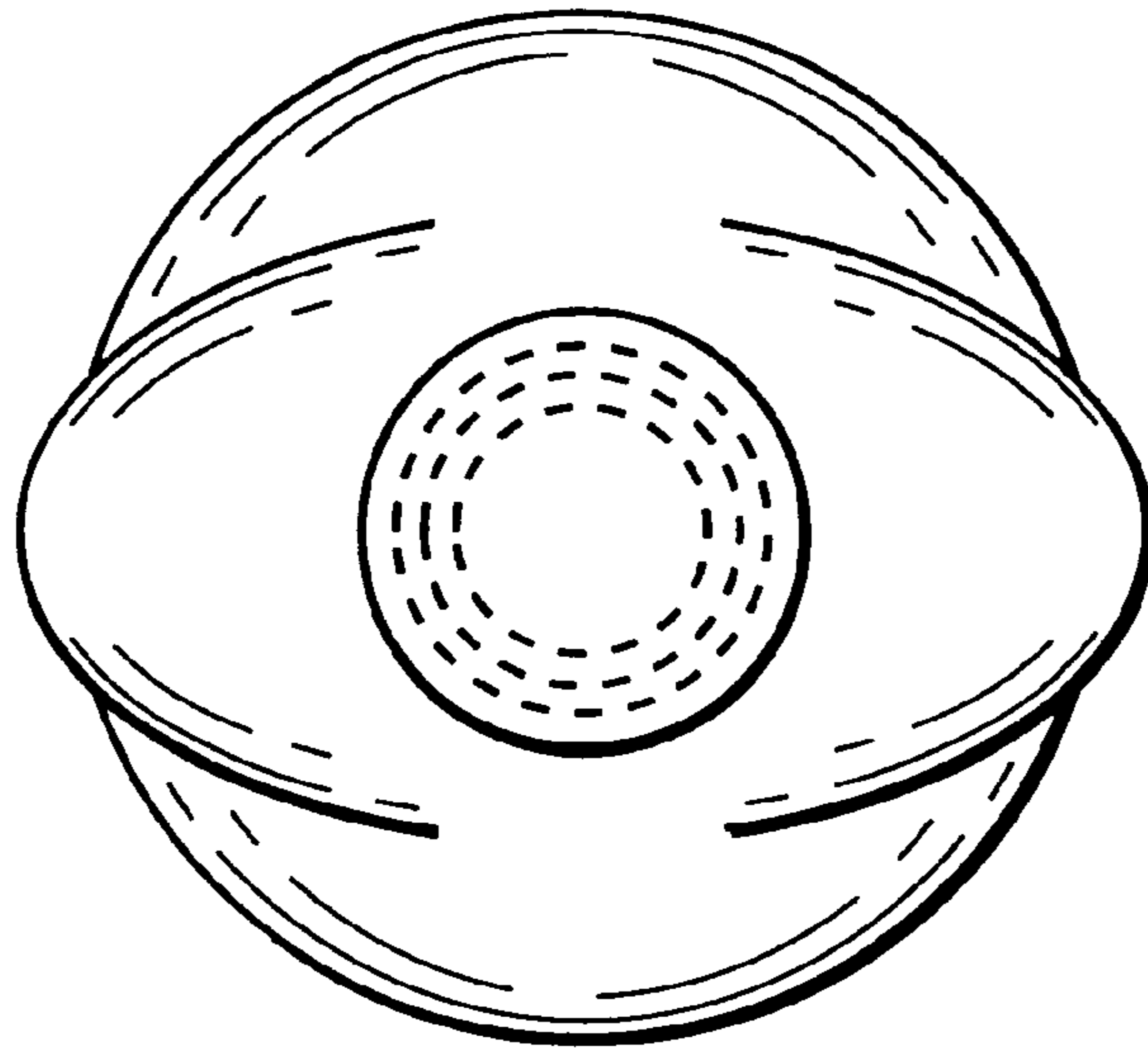


FIG. 4

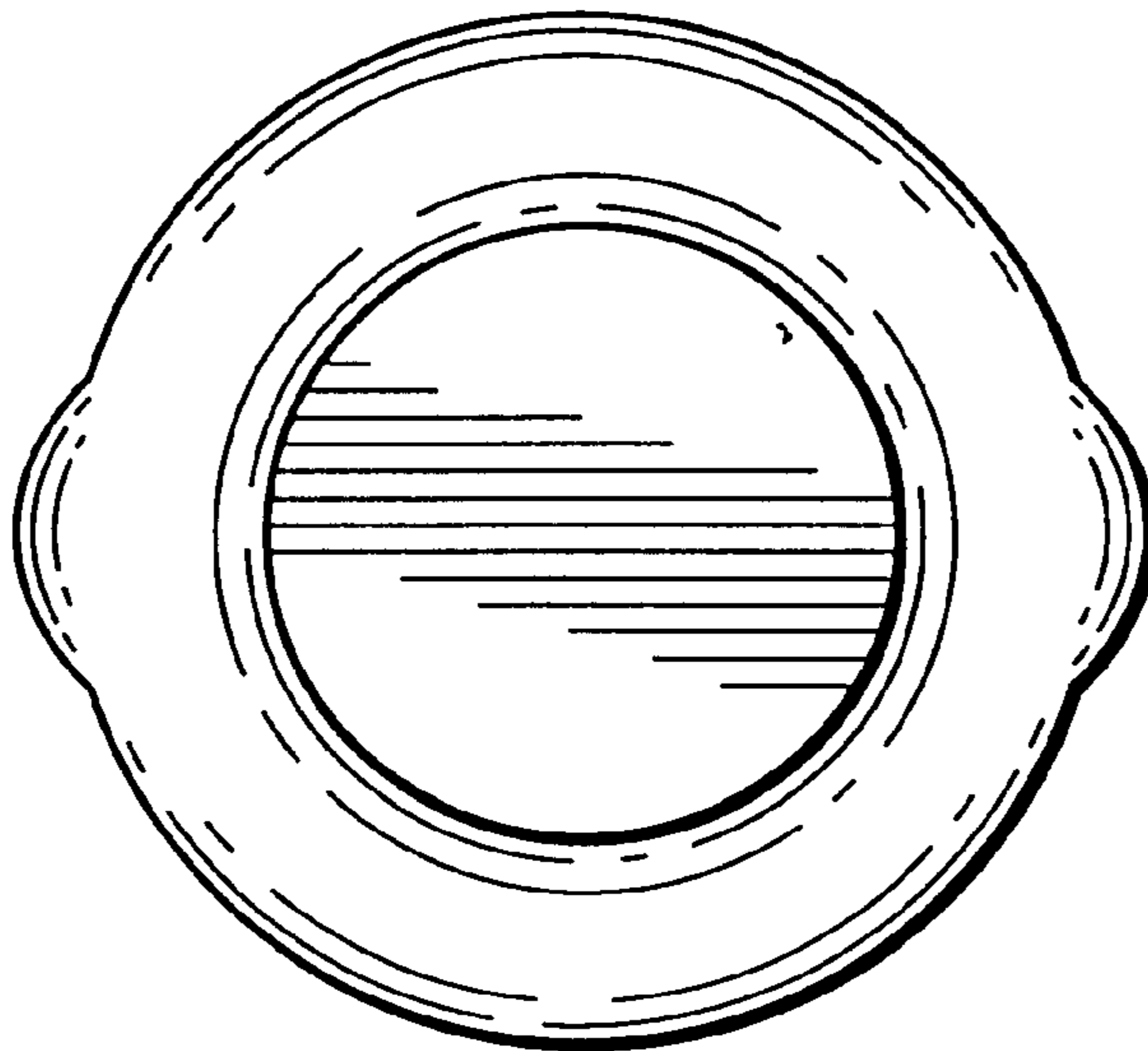


FIG. 5

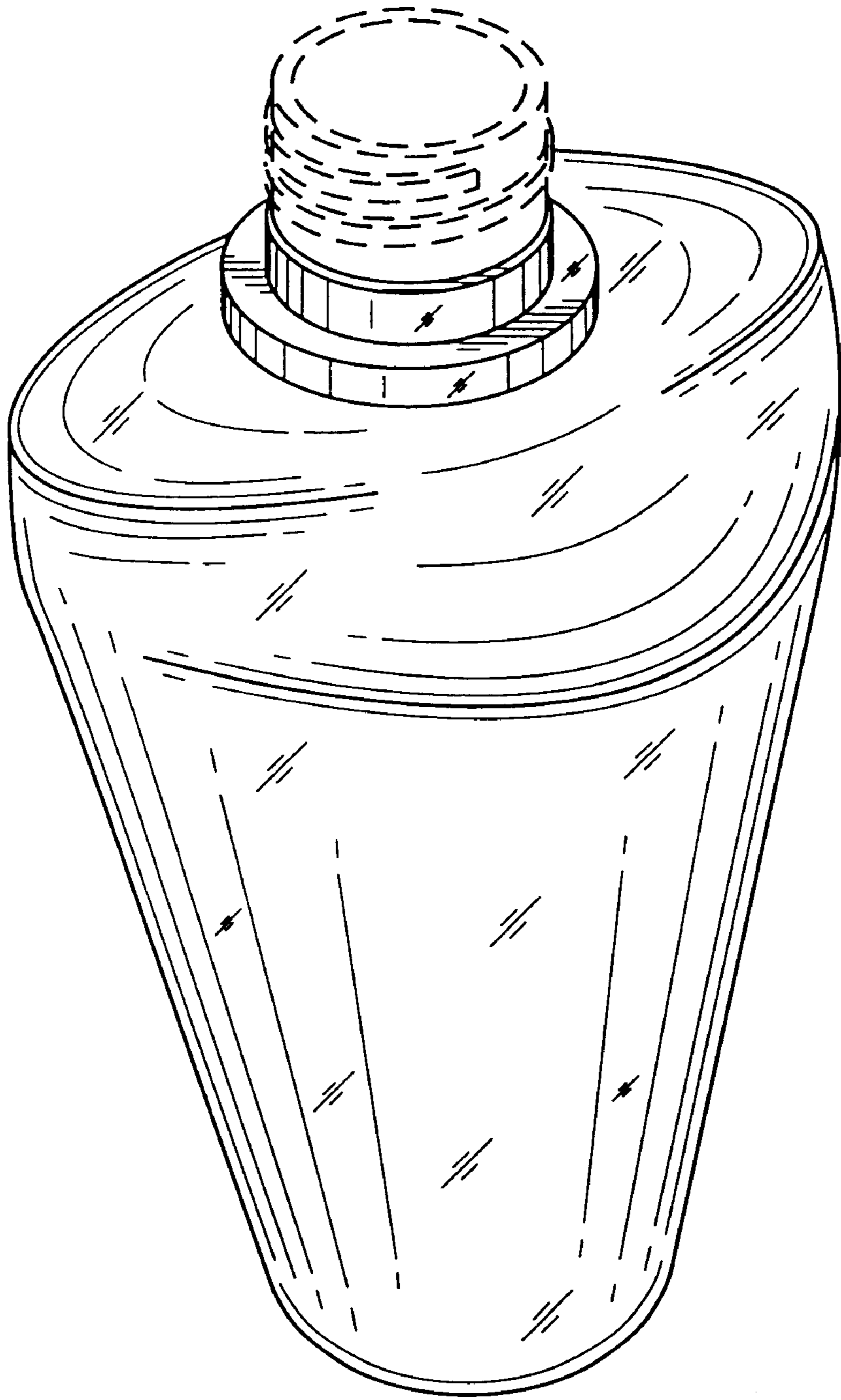


FIG. 6