



US00D414421S

# United States Patent [19]

Paul et al.

[11] **Patent Number: Des. 414,421**

[45] **Date of Patent: \*\* Sep. 28, 1999**

[54] **UPPER PORTION OF A BOTTLE**

[75] Inventors: **Duncan John Paul**, Leuven, Belgium;  
**Gregory Alan Zimmer**, Cincinnati, Ohio;  
**Ronald Peter de Vlam**, London, United Kingdom

[73] Assignee: **The Procter & Gamble Co.**, Cincinnati, Ohio

[\*\*] Term: **14 Years**

[21] Appl. No.: **29/068,123**

[22] Filed: **Mar. 14, 1997**

[30] **Foreign Application Priority Data**

Sep. 16, 1996 [GB] United Kingdom ..... 2059366

[51] **LOC (6) Cl.** ..... **09-01**

[52] **U.S. Cl.** ..... **D9/528**

[58] **Field of Search** ..... D9/528, 527, 531, D9/543; 215/398, 396, 385, 382-384

[56] **References Cited**

**U.S. PATENT DOCUMENTS**

D. 260,857 9/1981 Pardo ..... D9/528

D. 302,245	7/1989	Ross	.....	D9/528
D. 303,629	9/1989	Olson et al.	.....	D9/528
D. 303,630	9/1989	Beechuk et al.	.....	D9/528
D. 313,179	12/1990	Guislain	.....	D9/528
D. 347,792	6/1994	D'Amico	.....	D9/523
D. 368,660	4/1996	Terwilleger et al.	.....	D9/528
D. 372,429	8/1996	Slezak et al.	.....	D9/528

*Primary Examiner*—Lucy Lieberman  
*Attorney, Agent, or Firm*—Elizabeth M. Koch; James C. Vago

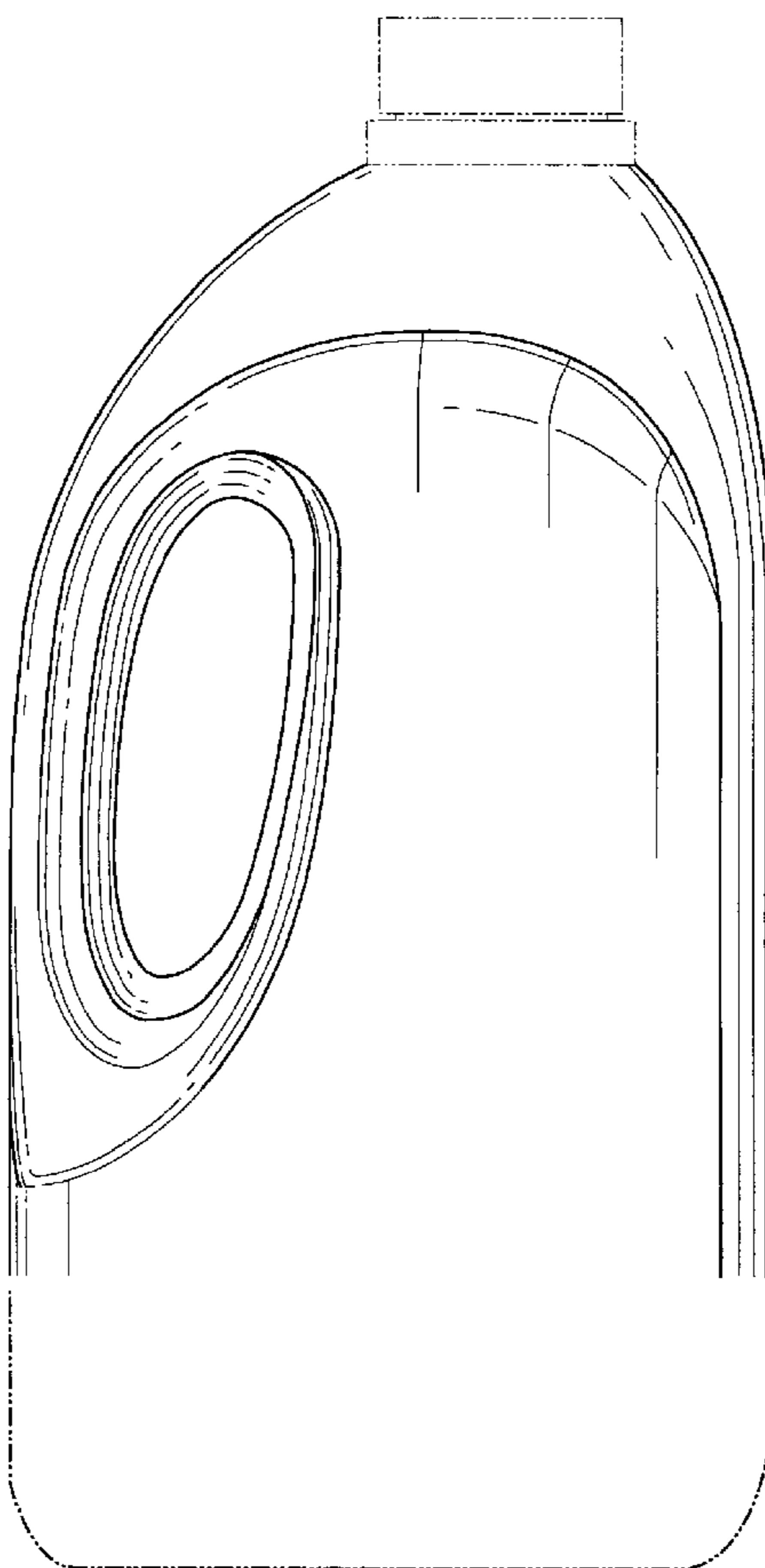
[57] **CLAIM**

The ornamental design for an upper portion of a bottle, as shown and described.

**DESCRIPTION**

FIG. 1 is a perspective view of an upper portion of a bottle, embodying our new design;  
FIG. 2 is a side elevational view thereof, the opposite side elevational view being a mirror image thereof;  
FIG. 3 is a back elevational view thereof;  
FIG. 4 is a front elevational view thereof; and,  
FIG. 5 is a top view thereof.  
The broken lines shown in the figures are for illustrative purposes only, and form no part of the claimed invention.

**1 Claim, 5 Drawing Sheets**



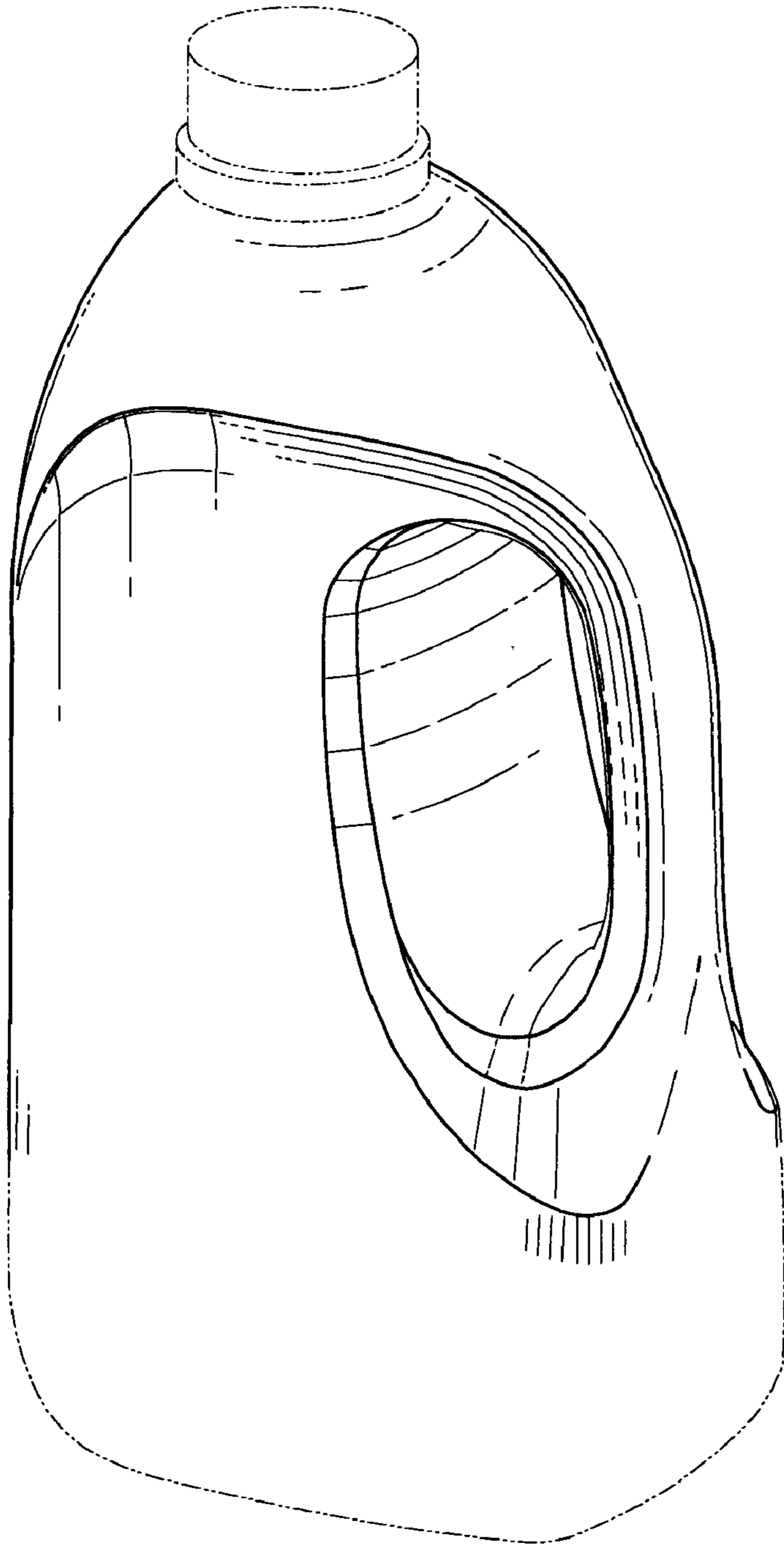


Fig. 1

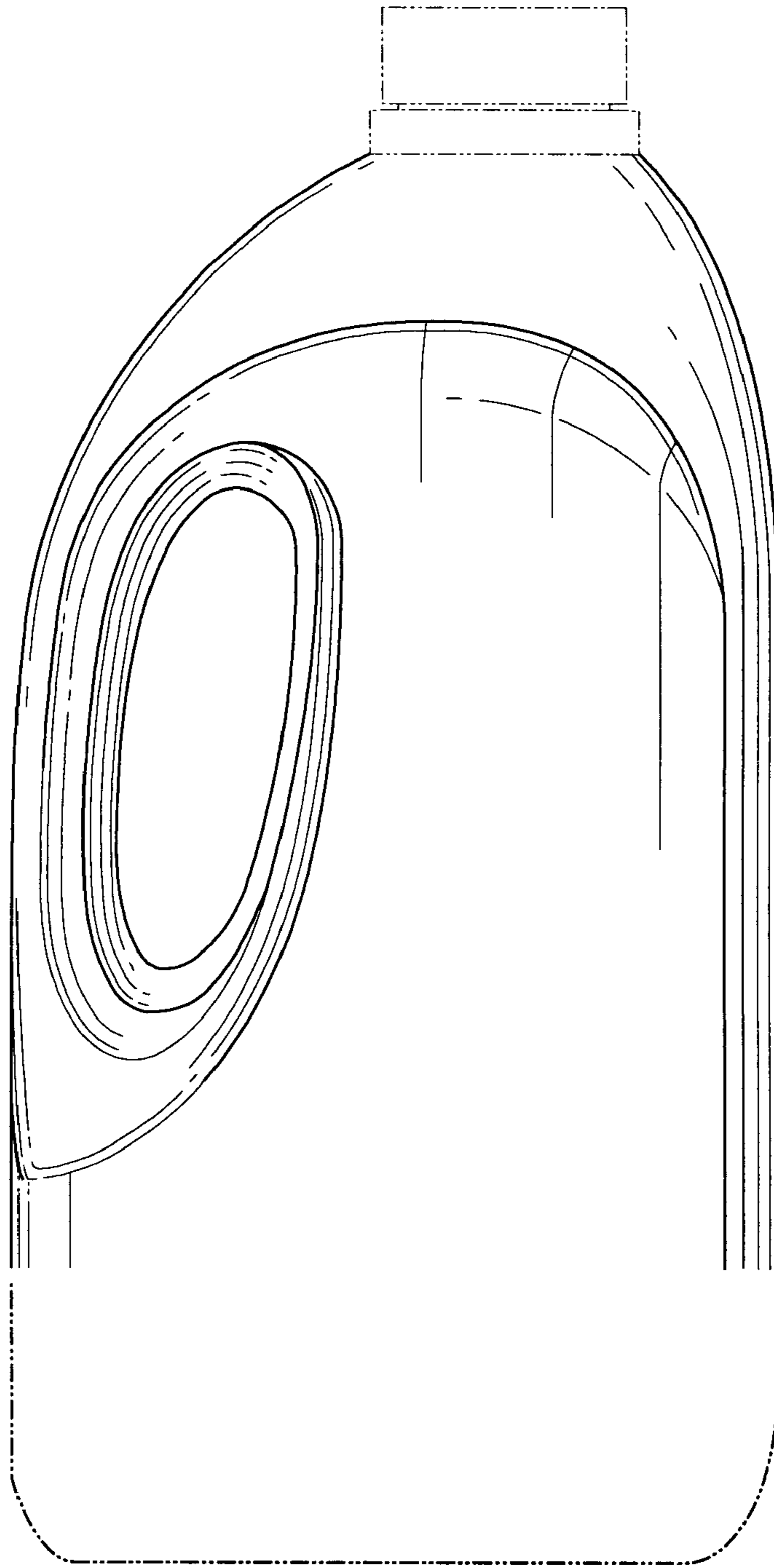


Fig. 2

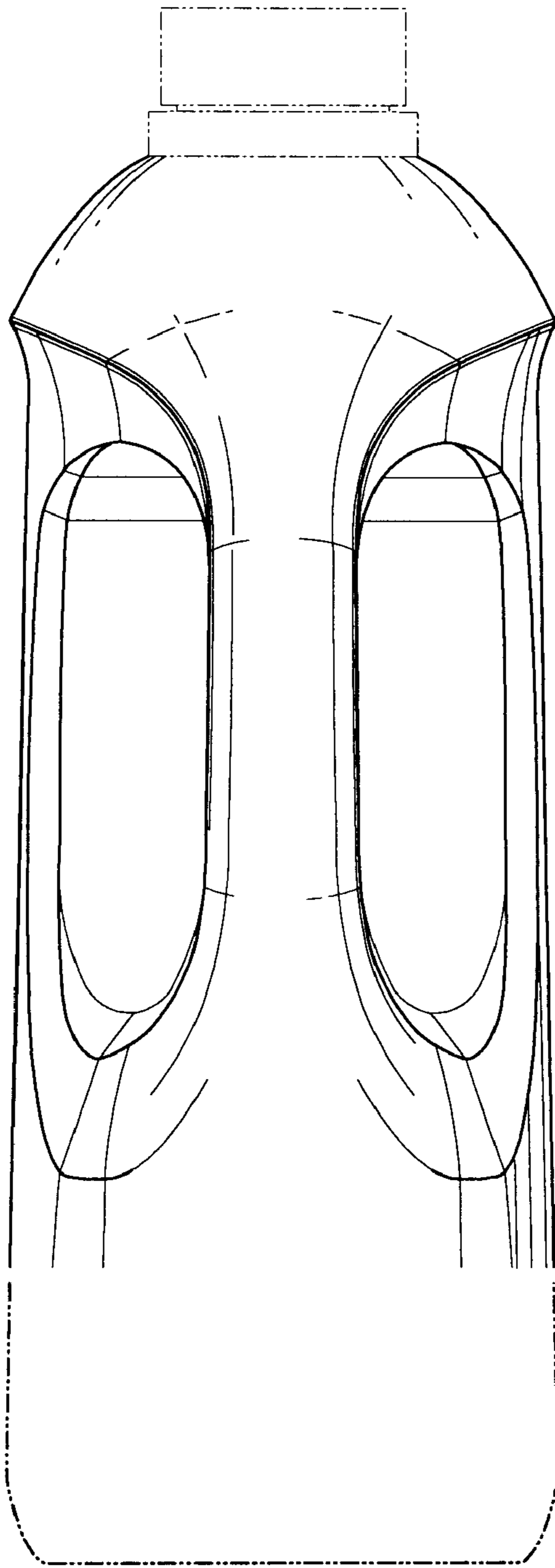


Fig. 3

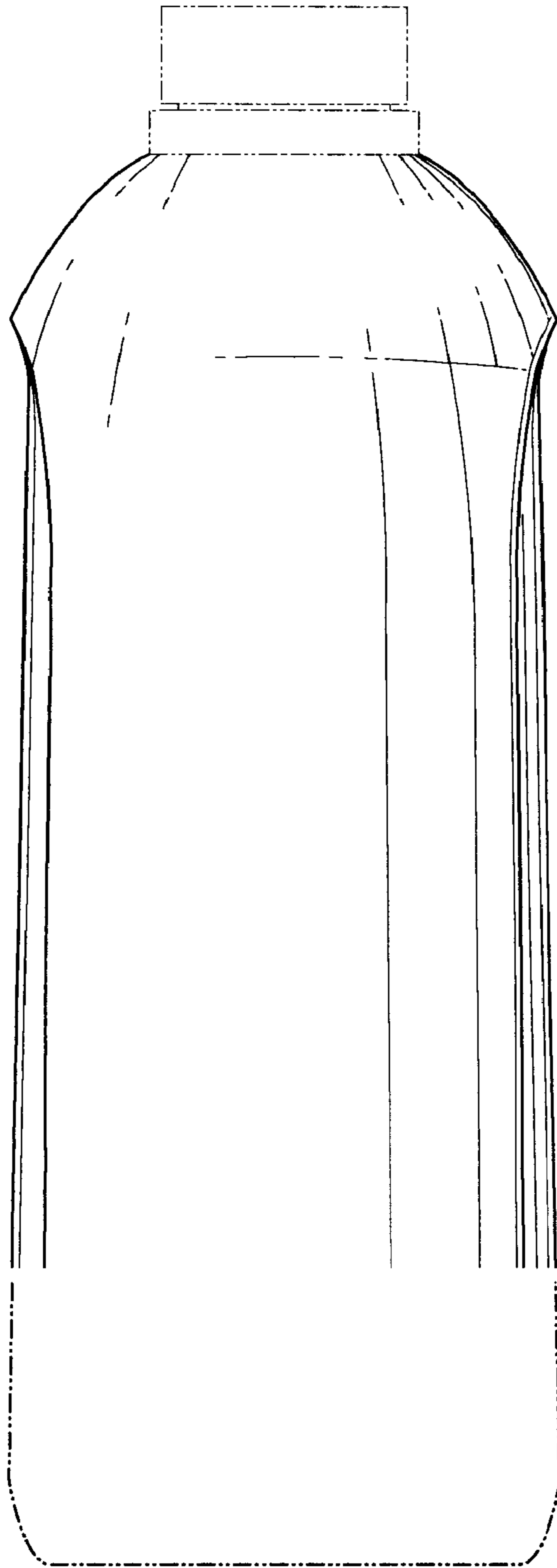


Fig. 4

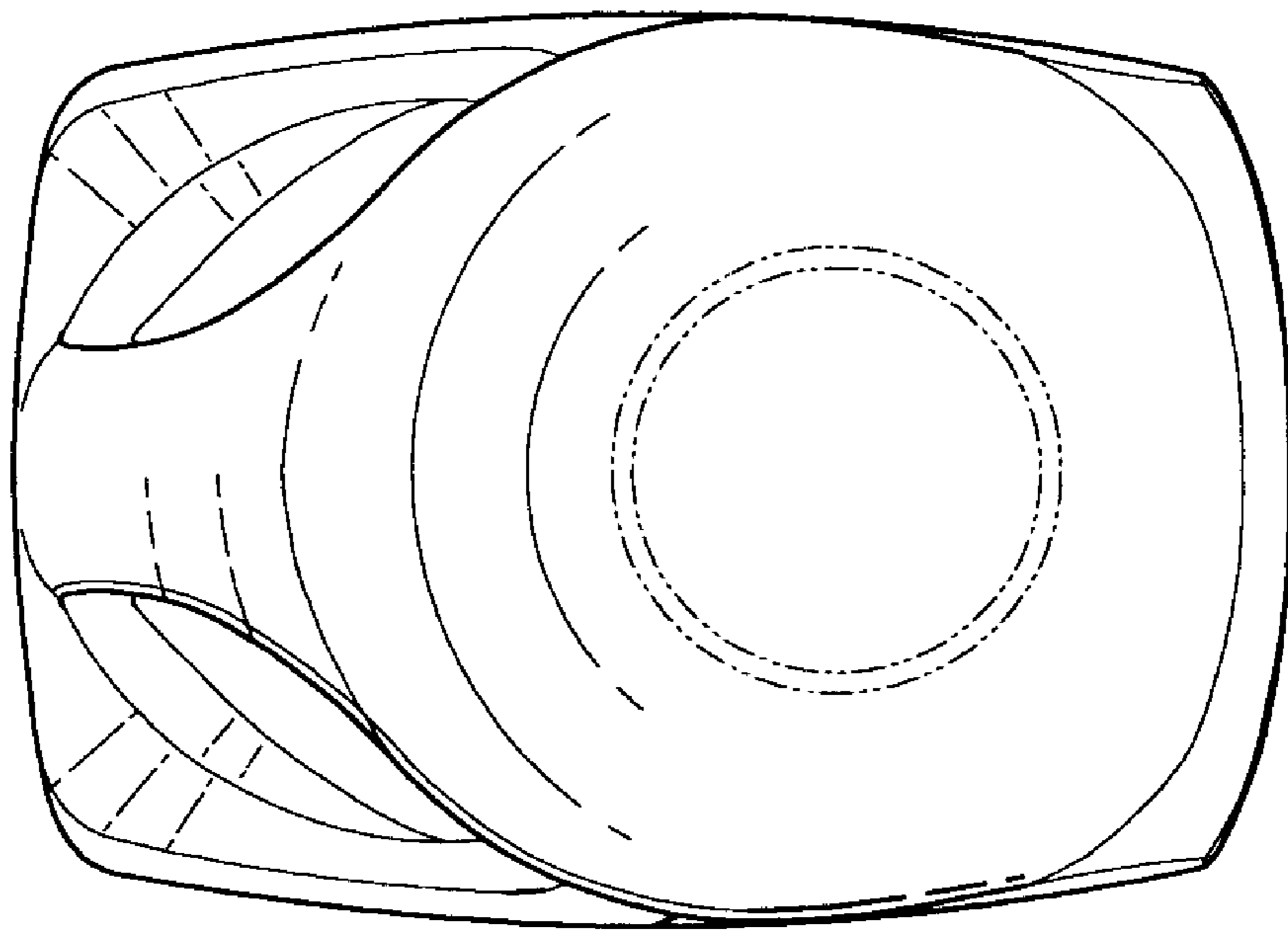


Fig. 5