



US00D414419S

United States Patent [19]
Paoloski

[11] **Patent Number: Des. 414,419**
[45] **Date of Patent: ** *Sep. 28, 1999**

[54] **BOTTLE**

[75] Inventor: **Andrea C. Paoloski**, Cincinnati, Ohio

[73] Assignee: **The Procter & Gamble Company**,
Cincinnati, Ohio

[*] Notice: This patent is subject to a terminal disclaimer.

[**] Term: **14 Years**

[21] Appl. No.: **29/076,310**

[22] Filed: **Sep. 16, 1997**

Related U.S. Application Data

[63] Continuation of application No. 29/068,751, Mar. 31, 1997,
Pat. No. 8,400,443.

[51] **LOC (6) Cl.** **09-01**

[52] **U.S. Cl.** **D9/520; D9/434; D9/538**

[58] **Field of Search** **D9/520, 538-543,**
D9/545, 546, 558, 500, 503; 215/375, 382-384

[56] **References Cited**

U.S. PATENT DOCUMENTS

D. 187,399	3/1960	Campbell	D9/500
D. 200,603	3/1965	Petitlo	D9/538
D. 205,424	8/1966	Plummer	D9/500
D. 222,851	1/1972	Adomaitis et al.	D9/111
D. 245,068	7/1977	Ruriani	D9/503
D. 248,835	8/1978	Korsmeyer	D9/500
D. 272,321	1/1984	Kretz	D9/389
D. 299,115	12/1988	Wetherell, Jr.	D9/370
D. 316,813	5/1991	Cannon	D9/370

D. 327,845	7/1992	Behm et al.	D9/434
D. 329,817	9/1992	Best	D9/556
D. 353,098	12/1994	Beechuk et al.	D9/538
D. 358,547	5/1995	Darr	D9/520
D. 373,729	9/1996	Protheroe et al.	D9/500
D. 376,316	12/1996	Lynn et al.	D9/434
D. 376,317	12/1996	Weiss	D9/435
D. 380,383	7/1997	Wiemann et al.	D9/434
4,610,366	9/1986	Estes et al.	215/1 C
4,785,949	11/1988	Krishnakumar et al.	215/375
4,978,015	12/1990	Walker	215/375
5,549,210	8/1996	Cheng	215/375

OTHER PUBLICATIONS

Bottle/Brush Photographs—"Twist Cover and Pull To Open—Add Liquid Soap"—Phoenixware—Views 1-5.
Exhit 1—Trademark for Citrus Fruit Drink Containing Water, Sep, 3, 1985.

Primary Examiner—Lucy Lieberman
Attorney, Agent, or Firm—William Scott Andes

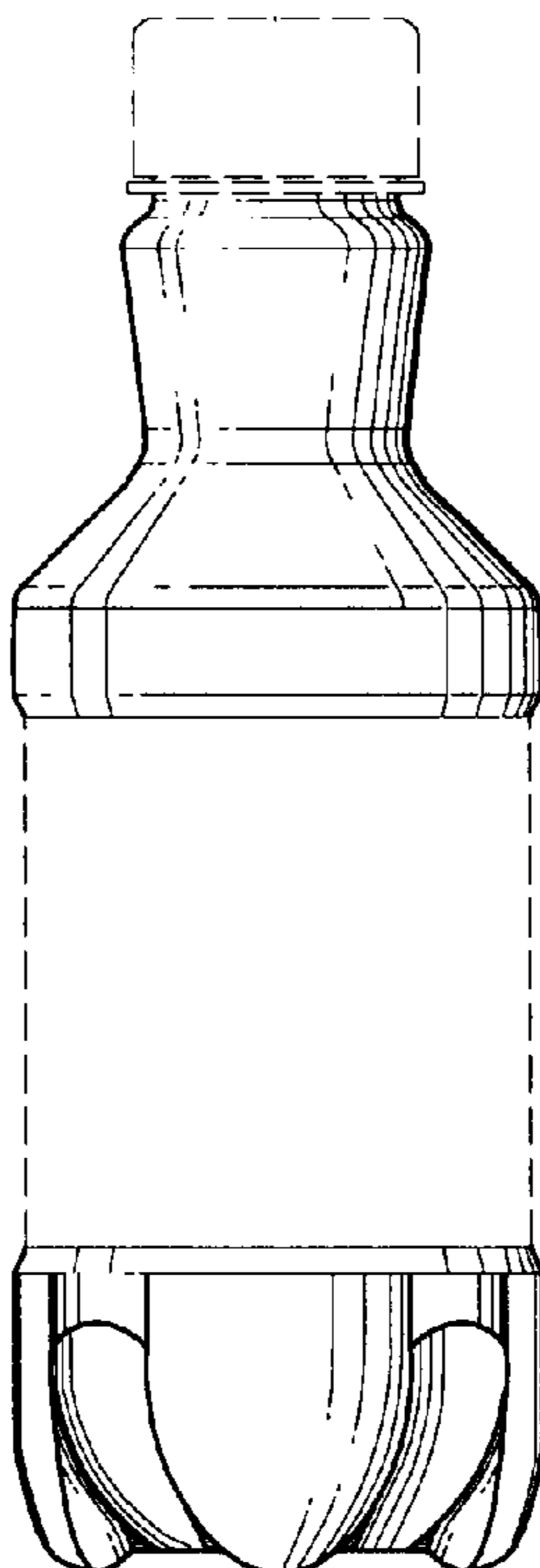
[57] **CLAIM**

The ornamental design for a bottle, as shown and described.

DESCRIPTION

FIG. 1 is a perspective view of a bottle, embodying our new design;
FIG. 2 is a front elevational view thereof, the back elevational view thereof being the same;
FIG. 3 is a top view thereof; and,
FIG. 4 is a bottom view thereof.
The broken lines shown in the figures are for illustrative purposes only, and form no part of the claimed invention.

1 Claim, 1 Drawing Sheet



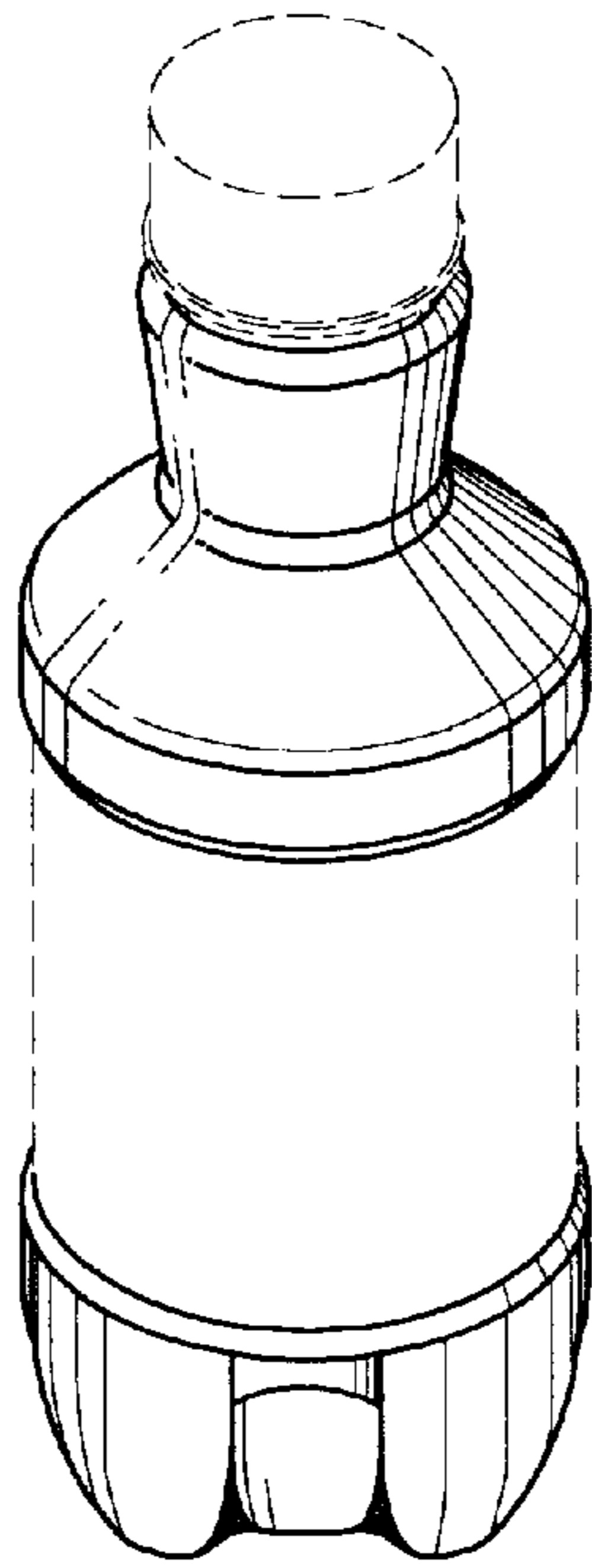


Fig. 1

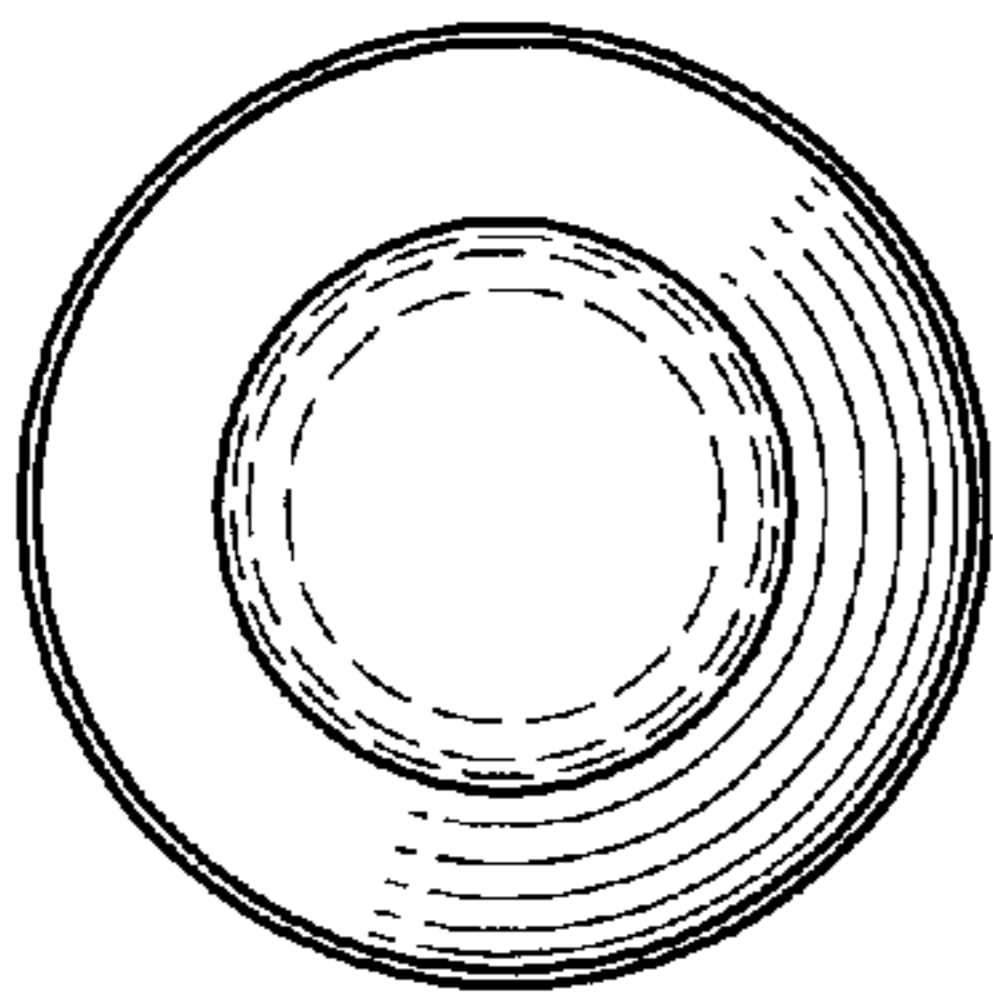


Fig. 3

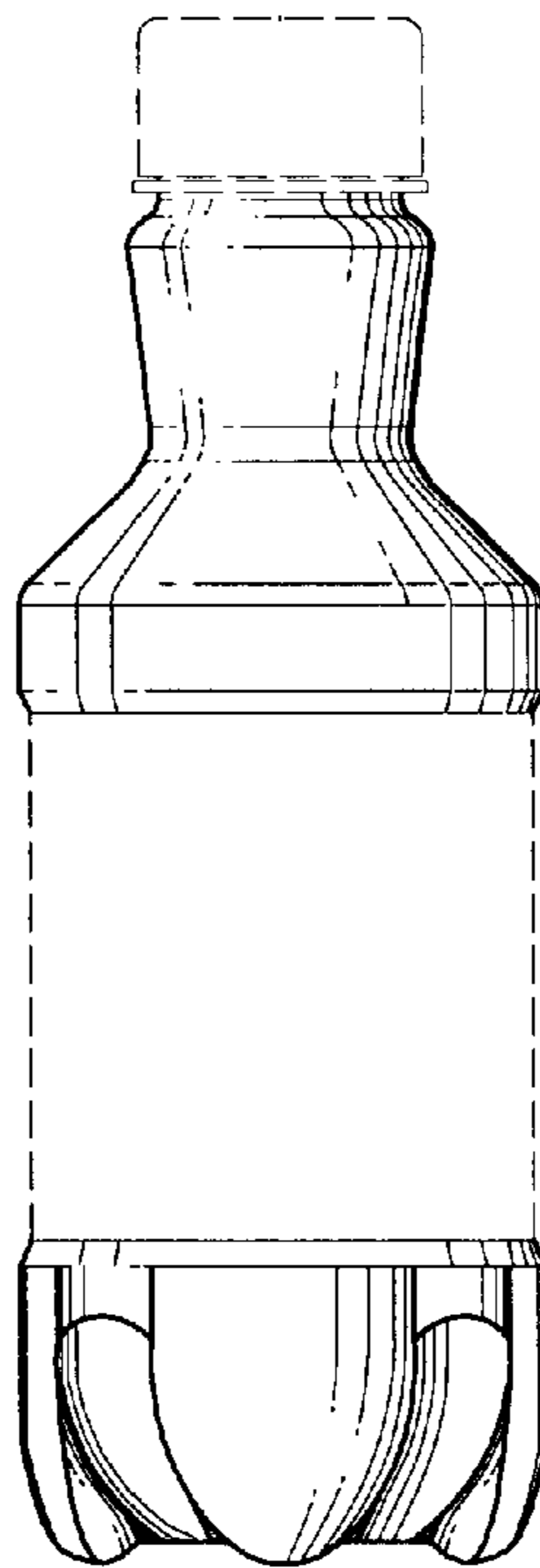


Fig. 2

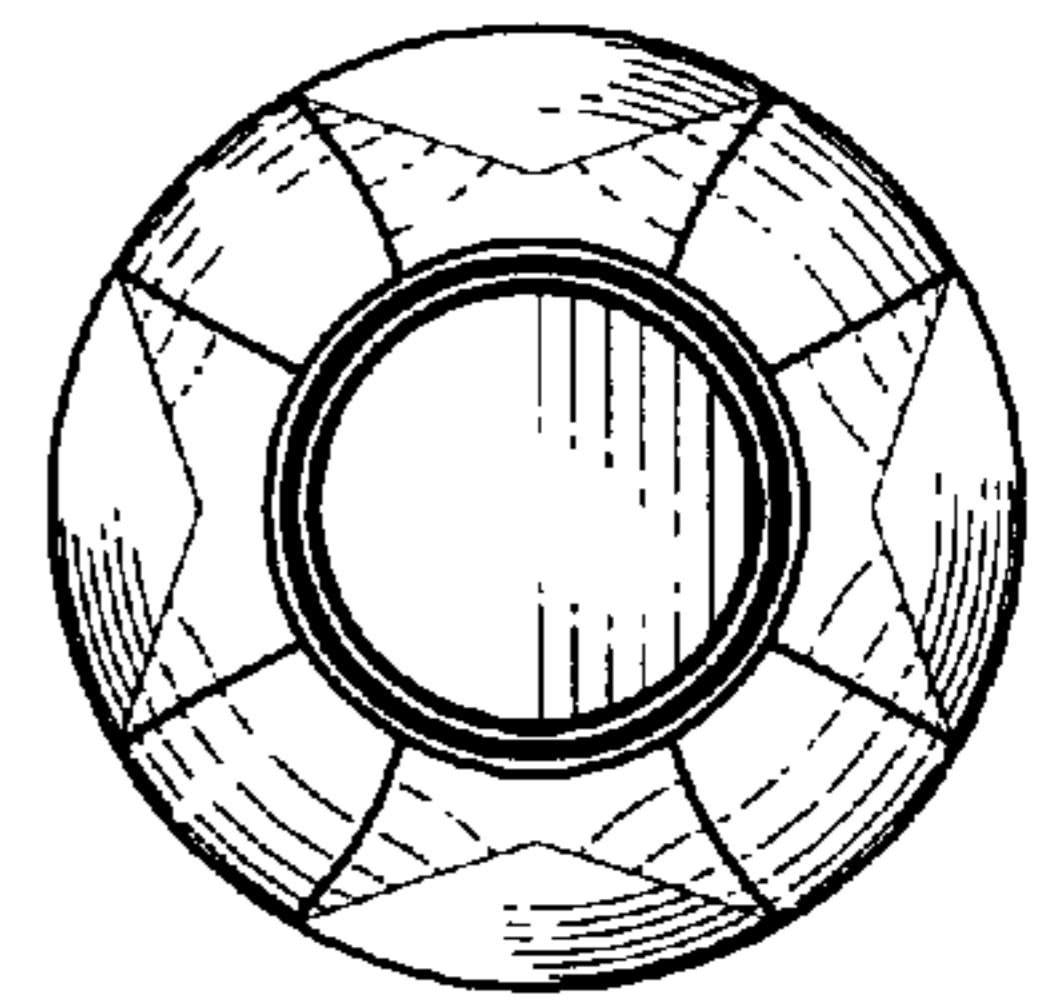


Fig. 4